



US00D837835S

(12) **United States Design Patent**  
**Schwalbe et al.**

(10) **Patent No.:** **US D837,835 S**

(45) **Date of Patent:** **\*\* Jan. 8, 2019**

(54) **RINSE TANK FOR AGRICULTURAL SPRAYER**

(71) Applicant: **CNH Industrial America LLC**, New Holland, PA (US)

(72) Inventors: **Blaine A. Schwalbe**, Valders, WI (US); **Ross P. Christiansen**, Kiel, WI (US)

(73) Assignee: **CNH Industrial America LLC**, New Holland, PA (US)

(\*\*) Term: **15 Years**

(21) Appl. No.: **29/623,419**

(22) Filed: **Oct. 25, 2017**

(51) **LOC (11) Cl.** ..... **15-03**

(52) **U.S. Cl.**  
USPC ..... **D15/28**; D12/218

(58) **Field of Classification Search**  
USPC ..... D15/28, 15, 23, 17; D12/218; 280/834, 280/288.4, 830, 124.1, 835; 180/69.4, 180/69.5, 89.12, 900, 225; 220/564, 524, 220/555, 567.2; 123/518-520  
CPC ..... B60K 15/00; B60K 15/03; B60K 15/07; B60K 15/0306; B60K 15/063; B60K 15/073; B62D 21/16; F02M 37/0094  
See application file for complete search history.

(56) **References Cited**

U.S. PATENT DOCUMENTS

4,480,845	A *	11/1984	Hansen	.....	B60K 15/00
					280/164.1
D433,425	S *	11/2000	Surrige	.....	D15/17
D435,503	S *	12/2000	Gukeisen	.....	D12/218
D441,710	S *	5/2001	Moehle	.....	D12/218
6,402,198	B2 *	6/2002	Gollungberg	.....	B60K 15/067
					280/830
D562,350	S *	2/2008	Higashikawa	.....	D12/218

D644,160	S *	8/2011	Fries	.....	D12/218
D644,161	S *	8/2011	Fries	.....	D12/218
D647,166	S *	10/2011	Kimball	.....	D23/202
D655,372	S *	3/2012	Kimball	.....	D23/202
D656,520	S *	3/2012	Ortlund	.....	D12/218
D663,325	S *	7/2012	Thunstrom	.....	D15/13
D669,099	S *	10/2012	Ringer	.....	D15/28
D669,100	S *	10/2012	Ringer	.....	D15/28
D673,587	S *	1/2013	Truan	.....	D15/28
D694,167	S *	11/2013	Forsberg	.....	D12/218
8,657,143	B2 *	2/2014	Walker	.....	B60K 15/063
					220/562
D728,632	S *	5/2015	Klassen	.....	D12/218

(Continued)

Primary Examiner — Mark A Goodwin

(74) Attorney, Agent, or Firm — Rebecca L. Henkel; Rickard K. DeMille

(57) **CLAIM**

The ornamental design for a rinse tank for agricultural sprayer, as shown and described.

**DESCRIPTION**

FIG. 1 is an isometric view of a rinse tank for agricultural sprayer in accordance with the present invention from a first side and above;

FIG. 2 is an isometric view of the rinse tank of FIG. 1 from a second side and above;

FIG. 3 is a side elevation view of a first side of the rinse tank of FIG. 1;

FIG. 4 is a side elevation view of a second side of the rinse tank of FIG. 1;

FIG. 5 is a front elevation view of the rinse tank of FIG. 1;

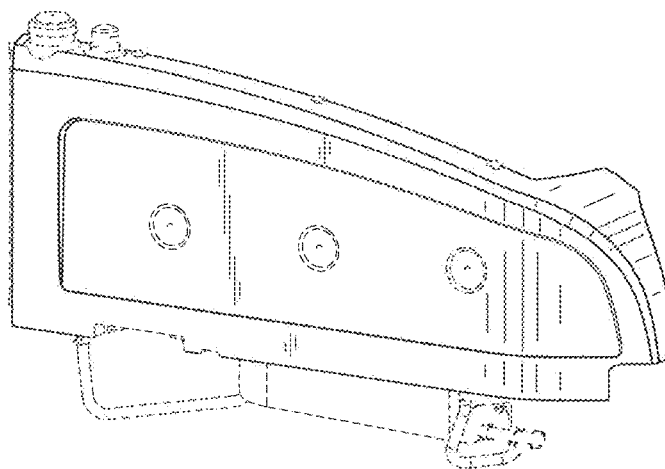
FIG. 6 is a rear elevation of the rinse tank of FIG. 1;

FIG. 7 is a top plan view of the rinse tank of FIG. 1; and,

FIG. 8 is a bottom plan view of the rinse tank of FIG. 1.

The broken line showing of surface structures is included for the purpose of illustrating portions of the rinse tank for agricultural sprayer and forms no part of the claimed design.

**1 Claim, 4 Drawing Sheets**



(56)

**References Cited**

U.S. PATENT DOCUMENTS

D728,633	S	*	5/2015	Klassen	.....	D12/218
D772,773	S	*	11/2016	Andersen	.....	D12/218
D803,756	S	*	11/2017	Andersen	.....	D12/218
D820,765	S	*	6/2018	Hensley	.....	D12/218

\* cited by examiner

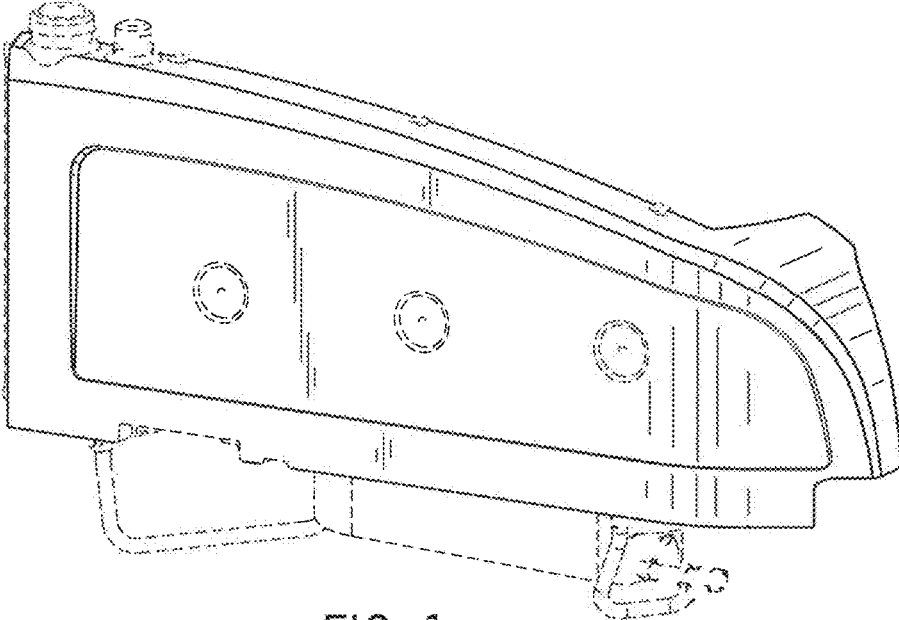


FIG. 1

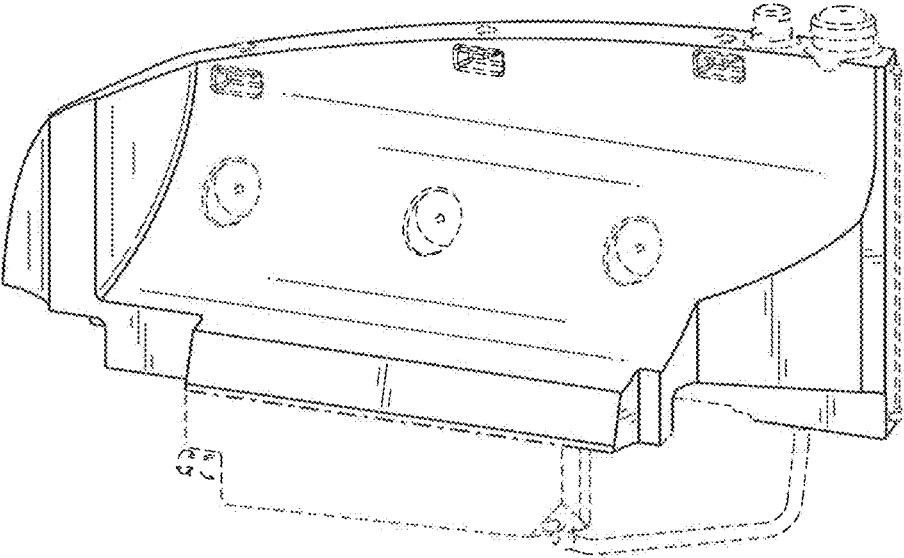


FIG. 2

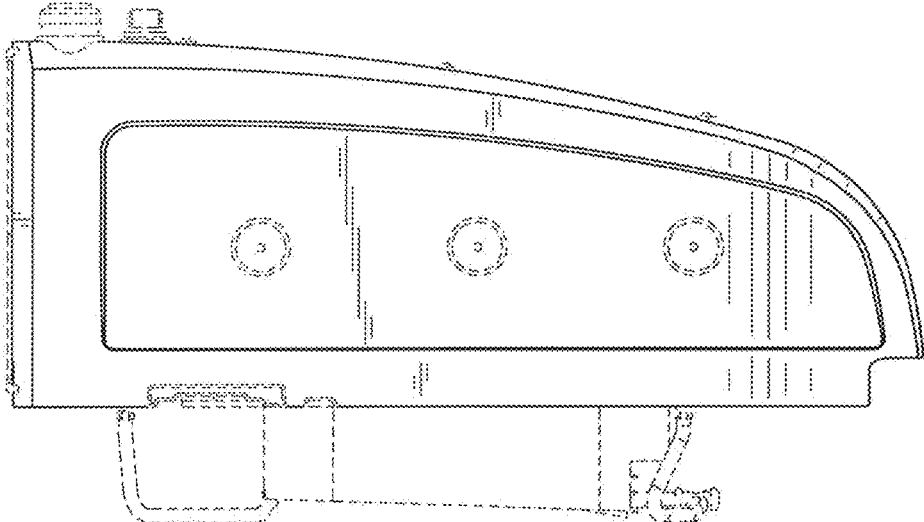


FIG. 3

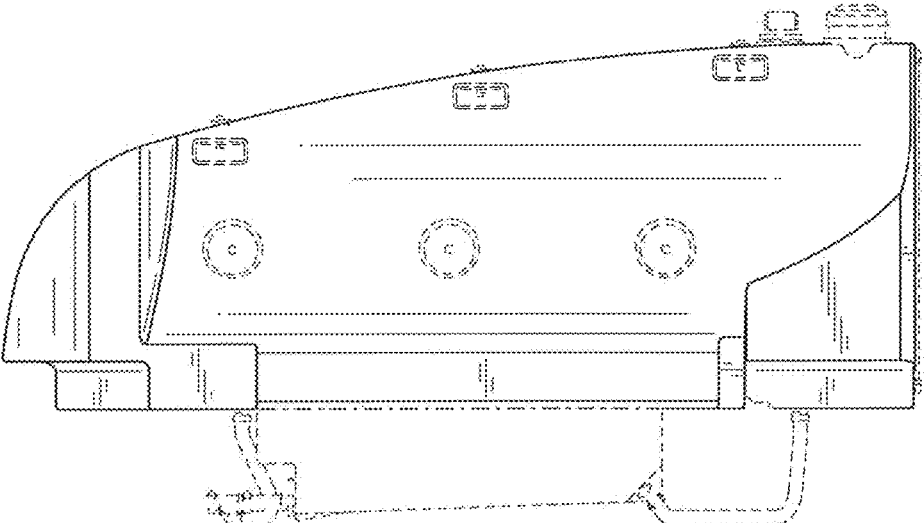


FIG. 4

FIG. 5

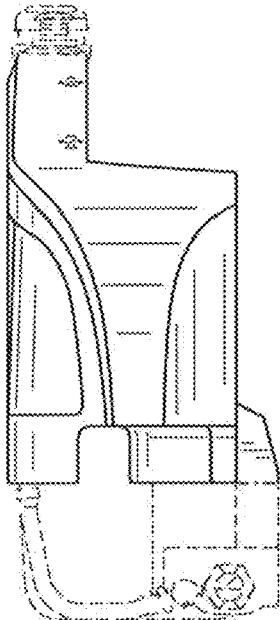
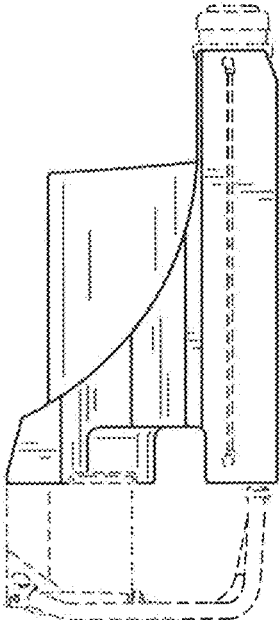


FIG. 6



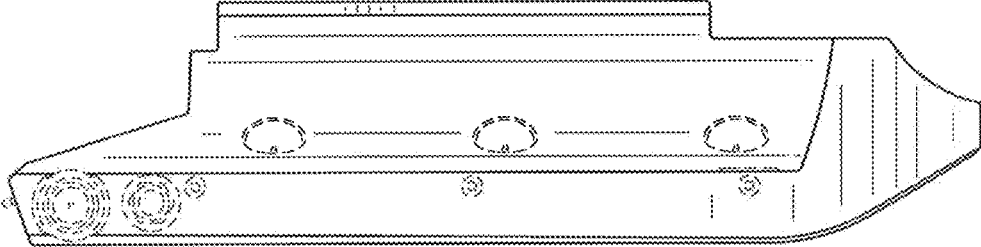


FIG. 7

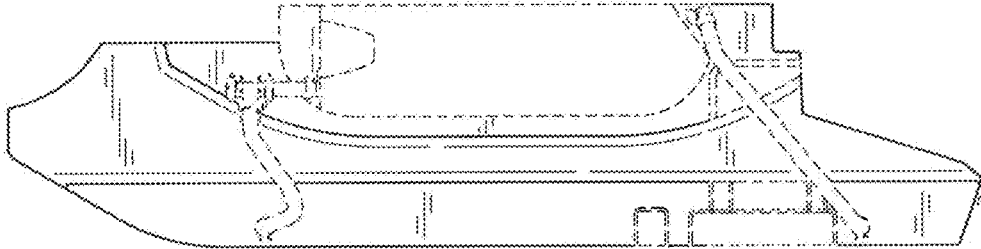


FIG. 8