

(19) World Intellectual Property Organization
International Bureau



(43) International Publication Date
14 April 2005 (14.04.2005)

PCT

(10) International Publication Number
WO 2005/032447 A3

(51) International Patent Classification:
A61B 5/08 (2006.01)

MA 02170 (US). BOWMAN, Jeremy [US/US]; 34 Silk Street, Arlington, MA 02474 (US).

(21) International Application Number:
PCT/US2004/026987

(74) Agents: THOMPSON, Thomas, E., Jr. et al.; Iandiorio & Teska, 260 Bear Hill Road, Waltham, MA 02451-1018 (US).

(22) International Filing Date: 20 August 2004 (20.08.2004)

(81) Designated States (unless otherwise indicated, for every kind of national protection available): AE, AG, AL, AM, AT, AU, AZ, BA, BB, BG, BR, BW, BY, BZ, CA, CH, CN, CO, CR, CU, CZ, DE, DK, DM, DZ, EC, EE, EG, ES, FI, GB, GD, GE, GH, GM, HR, HU, ID, IL, IN, IS, JP, KE, KG, KP, KR, KZ, LC, LK, LR, LS, LT, LU, LV, MA, MD, MG, MK, MN, MW, MX, MZ, NA, NI, NO, NZ, OM, PG, PH, PL, PT, RO, RU, SC, SD, SE, SG, SK, SL, SY, TJ, TM, TN, TR, TT, TZ, UA, UG, US, UZ, VC, VN, YU, ZA, ZM, ZW.

(25) Filing Language: English

(26) Publication Language: English

(30) Priority Data:
60/497,423 22 August 2003 (22.08.2003) US

(71) Applicant (for all designated States except US): FOSTER-MILLER, INC. [US/US]; 350 Second Avenue, Waltham, MA 02451 (US).

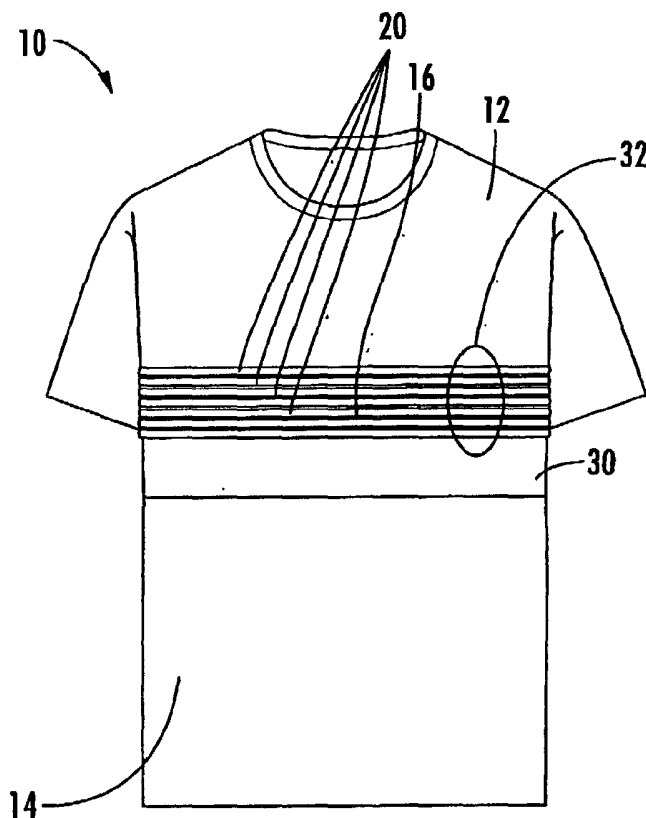
(72) Inventors; and

(84) Designated States (unless otherwise indicated, for every kind of regional protection available): ARIPO (BW, GH, GM, KE, LS, MW, MZ, NA, SD, SL, SZ, TZ, UG, ZM, ZW), Eurasian (AM, AZ, BY, KG, KZ, MD, RU, TJ, TM), European (AT, BE, BG, CH, CY, CZ, DE, DK, EE, ES, FI,

(75) Inventors/Applicants (for US only): TING, Joseph [US/US]; 3 Drummer Road, 1B, Acton, MA 01720 (US). FARRELL, Brian [US/US]; 44 Channing Street, Quincy,

[Continued on next page]

(54) Title: PHYSIOLOGICAL MONITORING GARMENT



(57) Abstract: A physiological monitoring garment (10) includes first and second elastic fabric portions (12, 14). An elongate stretchable textile data/power bus (16) is disposed between the first and second elastic fabric portions (12, 14). The elongate stretchable textile data/power bus (16) includes a plurality of integral conductors (20), woven, knitted, or braided along the length thereof. One or more sensors (30, 32) are connected to the elongate stretchable textile data/power bus (16).

WO 2005/032447 A3



FR, GB, GR, HU, IE, IT, LU, MC, NL, PL, PT, RO, SE, SI, SK, TR), OAPI (BF, BJ, CF, CG, CI, CM, GA, GN, GQ, GW, ML, MR, NE, SN, TD, TG).

For two-letter codes and other abbreviations, refer to the "Guidance Notes on Codes and Abbreviations" appearing at the beginning of each regular issue of the PCT Gazette.

Published:

- *with international search report*
- *before the expiration of the time limit for amending the claims and to be republished in the event of receipt of amendments*

(88) Date of publication of the international search report:

9 March 2006

INTERNATIONAL SEARCH REPORT

International application No.

PCT/US04/26987

<p>A. CLASSIFICATION OF SUBJECT MATTER IPC(7) : A61B 05/08 US CL : 600/534 According to International Patent Classification (IPC) or to both national classification and IPC</p>																				
<p>B. FIELDS SEARCHED</p> <p>Minimum documentation searched (classification system followed by classification symbols) U.S. : 600/529-543</p> <p>Documentation searched other than minimum documentation to the extent that such documents are included in the fields searched</p> <p>Electronic data base consulted during the international search (name of data base and, where practicable, search terms used) EAST</p>																				
<p>C. DOCUMENTS CONSIDERED TO BE RELEVANT</p> <table border="1"> <thead> <tr> <th>Category *</th> <th>Citation of document, with indication, where appropriate, of the relevant passages</th> <th>Relevant to claim No.</th> </tr> </thead> <tbody> <tr> <td>X</td> <td>US 6,551,252 B2 (SACKNER et al) 22 April 2003 (22.04.2003), figures 1-10 and column 13, line 49 to column 14, line 58, column 19, line 55 to column 28, line 34.</td> <td>1-77</td> </tr> <tr> <td>A</td> <td>US 6,461,307 B1 (KRISTBJARNARSON et al) 08 October 2002 (08.10.2002), Abstract and figure 1.</td> <td>1-77</td> </tr> <tr> <td>A</td> <td>US 6,254,551 B1 (VARIS) 03 July 2001 (03.07.2001), Abstract and figure 1.</td> <td>1-77</td> </tr> <tr> <td>A</td> <td>US 5,913,830 A (MILES) 22 June 1999 (22.06.1999), Abstract and figure 1.</td> <td>1-77</td> </tr> <tr> <td>A</td> <td>US 5,301,678 A (WATSON et al) 12 April 1994 (12.04.1994), Abstract and figure 1.</td> <td>1-77</td> </tr> </tbody> </table>			Category *	Citation of document, with indication, where appropriate, of the relevant passages	Relevant to claim No.	X	US 6,551,252 B2 (SACKNER et al) 22 April 2003 (22.04.2003), figures 1-10 and column 13, line 49 to column 14, line 58, column 19, line 55 to column 28, line 34.	1-77	A	US 6,461,307 B1 (KRISTBJARNARSON et al) 08 October 2002 (08.10.2002), Abstract and figure 1.	1-77	A	US 6,254,551 B1 (VARIS) 03 July 2001 (03.07.2001), Abstract and figure 1.	1-77	A	US 5,913,830 A (MILES) 22 June 1999 (22.06.1999), Abstract and figure 1.	1-77	A	US 5,301,678 A (WATSON et al) 12 April 1994 (12.04.1994), Abstract and figure 1.	1-77
Category *	Citation of document, with indication, where appropriate, of the relevant passages	Relevant to claim No.																		
X	US 6,551,252 B2 (SACKNER et al) 22 April 2003 (22.04.2003), figures 1-10 and column 13, line 49 to column 14, line 58, column 19, line 55 to column 28, line 34.	1-77																		
A	US 6,461,307 B1 (KRISTBJARNARSON et al) 08 October 2002 (08.10.2002), Abstract and figure 1.	1-77																		
A	US 6,254,551 B1 (VARIS) 03 July 2001 (03.07.2001), Abstract and figure 1.	1-77																		
A	US 5,913,830 A (MILES) 22 June 1999 (22.06.1999), Abstract and figure 1.	1-77																		
A	US 5,301,678 A (WATSON et al) 12 April 1994 (12.04.1994), Abstract and figure 1.	1-77																		
<p><input type="checkbox"/> Further documents are listed in the continuation of Box C. <input type="checkbox"/> See patent family annex.</p>																				
<p>* Special categories of cited documents:</p> <table border="0"> <tr> <td>"A" document defining the general state of the art which is not considered to be of particular relevance</td> <td>"T" later document published after the international filing date or priority date and not in conflict with the application but cited to understand the principle or theory underlying the invention</td> </tr> <tr> <td>"E" earlier application or patent published on or after the international filing date</td> <td>"X" document of particular relevance; the claimed invention cannot be considered novel or cannot be considered to involve an inventive step when the document is taken alone</td> </tr> <tr> <td>"L" document which may throw doubts on priority claim(s) or which is cited to establish the publication date of another citation or other special reason (as specified)</td> <td>"Y" document of particular relevance; the claimed invention cannot be considered to involve an inventive step when the document is combined with one or more other such documents, such combination being obvious to a person skilled in the art</td> </tr> <tr> <td>"O" document referring to an oral disclosure, use, exhibition or other means</td> <td>"&" document member of the same patent family</td> </tr> <tr> <td>"P" document published prior to the international filing date but later than the priority date claimed</td> <td></td> </tr> </table>			"A" document defining the general state of the art which is not considered to be of particular relevance	"T" later document published after the international filing date or priority date and not in conflict with the application but cited to understand the principle or theory underlying the invention	"E" earlier application or patent published on or after the international filing date	"X" document of particular relevance; the claimed invention cannot be considered novel or cannot be considered to involve an inventive step when the document is taken alone	"L" document which may throw doubts on priority claim(s) or which is cited to establish the publication date of another citation or other special reason (as specified)	"Y" document of particular relevance; the claimed invention cannot be considered to involve an inventive step when the document is combined with one or more other such documents, such combination being obvious to a person skilled in the art	"O" document referring to an oral disclosure, use, exhibition or other means	"&" document member of the same patent family	"P" document published prior to the international filing date but later than the priority date claimed									
"A" document defining the general state of the art which is not considered to be of particular relevance	"T" later document published after the international filing date or priority date and not in conflict with the application but cited to understand the principle or theory underlying the invention																			
"E" earlier application or patent published on or after the international filing date	"X" document of particular relevance; the claimed invention cannot be considered novel or cannot be considered to involve an inventive step when the document is taken alone																			
"L" document which may throw doubts on priority claim(s) or which is cited to establish the publication date of another citation or other special reason (as specified)	"Y" document of particular relevance; the claimed invention cannot be considered to involve an inventive step when the document is combined with one or more other such documents, such combination being obvious to a person skilled in the art																			
"O" document referring to an oral disclosure, use, exhibition or other means	"&" document member of the same patent family																			
"P" document published prior to the international filing date but later than the priority date claimed																				
<p>Date of the actual completion of the international search 30 November 2005 (30.11.2005)</p>		<p>Date of mailing of the international search report 17 JAN 2006</p>																		
<p>Name and mailing address of the ISA/US Mail Stop PCT, Attn: ISA/US Commissioner for Patents P.O. Box 1450 Alexandria, Virginia 22313-1450 Facsimile No. (571) 273-3201</p>		<p>Authorized officer For <i>Virginia Lily</i> Navin Natmihithadha Telephone No. (571) 272-2975</p>																		