

(19) World Intellectual Property
Organization
International Bureau



(43) International Publication Date
28 April 2005 (28.04.2005)

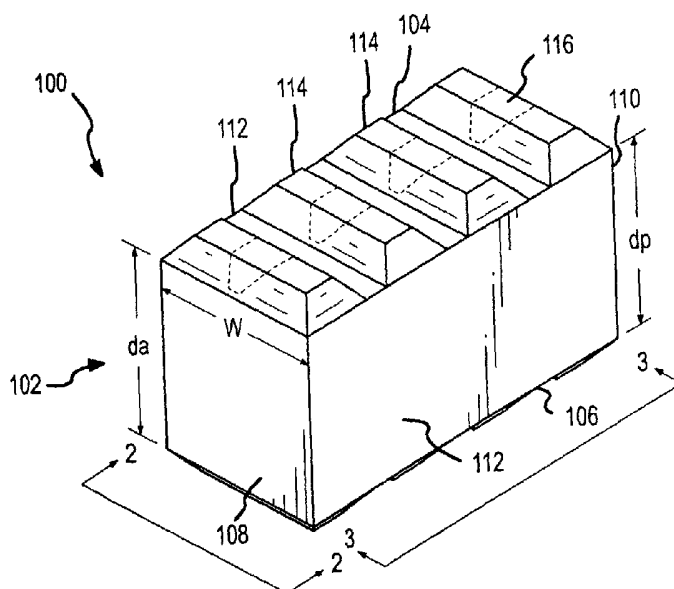
PCT

(10) International Publication Number
WO 2005/037131 A3

- (51) International Patent Classification⁷: **A61F 2/44** (74) Agents: KINNEAR, Brian et al.; 555 17th Street, Suite 3200, Denver, CO 80201 (US).
- (21) International Application Number:
PCT/US2004/032142 (81) Designated States (unless otherwise indicated, for every kind of national protection available): AE, AG, AL, AM, AT, AU, AZ, BA, BB, BG, BR, BW, BY, BZ, CA, CH, CN, CO, CR, CU, CZ, DE, DK, DM, DZ, EC, EE, EG, ES, FI, GB, GD, GE, GH, GM, HR, HU, ID, IL, IN, IS, JP, KE, KG, KP, KR, KZ, LC, LK, LR, LS, LT, LU, LV, MA, MD, MG, MK, MN, MW, MX, MZ, NA, NI, NO, NZ, OM, PG, PH, PL, PT, RO, RU, SC, SD, SE, SG, SK, SL, SY, TJ, TM, TN, TR, TT, TZ, UA, UG, US, UZ, VC, VN, YU, ZA, ZM, ZW.
- (22) International Filing Date:
30 September 2004 (30.09.2004)
- (25) Filing Language: English
- (26) Publication Language: English
- (30) Priority Data:
10/680,982 7 October 2003 (07.10.2003) US
- (71) Applicant (for all designated States except US): LANX, LLC [US/US]; 1155 Alpine Avenue, Suite 320, Boulder, CO 80304 (US).
- (72) Inventors; and
- (75) Inventors/Applicants (for US only): FULTON, Michael [US/US]; 2908 Marble Lane, Superior, CO 80024 (US). THRAMANN, Jeffrey [US/US]; 8580 Strawberry Lane, Longmont, CO 80503 (US).
- (84) Designated States (unless otherwise indicated, for every kind of regional protection available): ARIPO (BW, GH, GM, KE, LS, MW, MZ, NA, SD, SL, SZ, TZ, UG, ZM, ZW), Eurasian (AM, AZ, BY, KG, KZ, MD, RU, TJ, TM), European (AT, BE, BG, CH, CY, CZ, DE, DK, EE, ES, FI, FR, GB, GR, HU, IE, IT, LU, MC, NL, PL, PT, RO, SE, SI, SK, TR), OAPI (BF, BJ, CF, CG, CI, CM, GA, GN, GQ, GW, ML, MR, NE, SN, TD, TG).

[Continued on next page]

(54) Title: SPINAL IMPLANT



(57) Abstract: The present invention provides an implant (100) to be implanted between a superior vertebra and an inferior vertebra. The implant comprises a main body (102) having a superior surface (104) and an inferior surface (106) with at least one linear surface protrusion (114) residing on at least one of the superior surface or the inferior surface. The protrusion having a substantially flat bone engaging surface and a generally trapezoidal cross-section.

WO 2005/037131 A3



Published:

— *with international search report*

(88) Date of publication of the international search report:

29 September 2005

For two-letter codes and other abbreviations, refer to the "Guidance Notes on Codes and Abbreviations" appearing at the beginning of each regular issue of the PCT Gazette.

INTERNATIONAL SEARCH REPORT

International application No.
PCT/US04/32142

A. CLASSIFICATION OF SUBJECT MATTER
 IPC(7) : A61F 2/44
 US CL : 623/17.11
 According to International Patent Classification (IPC) or to both national classification and IPC

B. FIELDS SEARCHED
 Minimum documentation searched (classification system followed by classification symbols)
 U.S. : 623/17.11

Documentation searched other than minimum documentation to the extent that such documents are included in the fields searched

Electronic data base consulted during the international search (name of data base and, where practicable, search terms used)

C. DOCUMENTS CONSIDERED TO BE RELEVANT

Category *	Citation of document, with indication, where appropriate, of the relevant passages	Relevant to claim No.
y,p	US 2005/0055098 A (Zdeblick et al.) 10 March 2005, (10.03.2005), sections [0038] and figures 1 and 3	1-68
Y,P	US 2005/0004671 A (Ross et al.) 06 January 2005 (06.01.2005), sections '0008, 0044-0073]	1-68
Y, P	US 2004/0127990 A (Bartish, Jr. et al.) 01 July 2004 (01.06.2004), sections [0041-0173]	1-68
X	US 2002/0049497 A (Mason) 25 April 2002 (25.04.2002), sections 00170027,	1, 37, 47
Y, P	US 6,843,805 A (Webb et al.)18 January 2005 (18.01.2005), col. 1-3	1, 37, 47
Y	US 6,277,149 B (Boyle et al.) 21 August 2001 (21.08.2001), col. 4-5	2, 29-31, 38, 48

Further documents are listed in the continuation of Box C. See patent family annex.

Special categories of cited documents:	"T"	later document published after the international filing date or priority date and not in conflict with the application but cited to understand the principle or theory underlying the invention
"A" document defining the general state of the art which is not considered to be of particular relevance	"X"	document of particular relevance; the claimed invention cannot be considered novel or cannot be considered to involve an inventive step when the document is taken alone
"E" earlier application or patent published on or after the international filing date	"Y"	document of particular relevance; the claimed invention cannot be considered to involve an inventive step when the document is combined with one or more other such documents, such combination being obvious to a person skilled in the art
"L" document which may throw doubts on priority claim(s) or which is cited to establish the publication date of another citation or other special reason (as specified)	"&"	document member of the same patent family
"O" document referring to an oral disclosure, use, exhibition or other means		
"P" document published prior to the international filing date but later than the priority date claimed		

Date of the actual completion of the international search: 31 March 2005 (31.03.2005)
 Date of mailing of the international search report: 14 JUL 2005

Name and mailing address of the ISA/US:
 Mail Stop PCT, Attn: ISA/US
 Commissioner for Patents
 P.O. Box 1450
 Alexandria, Virginia 22313-1450
 Facsimile No. (703) 305-3230

Authorized officer:
 Suzette J-J Gherbi
 Telephone No. 571-272-4751