



US00D720844S

(12) **United States Design Patent**
Wells

(10) **Patent No.:** **US D720,844 S**

(45) **Date of Patent:** **** Jan. 6, 2015**

(54) **EFFERVESCENT TABLET**

(71) Applicant: **Sir Killian Mathew Wells**, Van Nuys,
CA (US)

(72) Inventor: **Sir Killian Mathew Wells**, Van Nuys,
CA (US)

(**) Term: **14 Years**

(21) Appl. No.: **29/475,946**

(22) Filed: **Dec. 9, 2013**

(51) **LOC (10) Cl.** **24-01**

(52) **U.S. Cl.**
USPC **D24/101**

(58) **Field of Classification Search**
USPC D24/100-104; D1/100, 127, 130;
D23/207, 208; 604/287, 288, 403;
206/1.5, 528, 530-539; 424/10.2, 10.3,
424/408, 438, 439, 451, 472, 473, 475,
424/453-456, 464-469

See application file for complete search history.

(56) **References Cited**

U.S. PATENT DOCUMENTS

D334,227 S * 3/1993 Gladfelter et al. D23/207
D334,420 S * 3/1993 Gladfelter et al. D23/207

D334,421 S * 3/1993 Gladfelter et al. D23/207
5,756,124 A * 5/1998 Patel et al. 424/467
D447,835 S * 9/2001 Whitaker et al. D28/8.1
D556,319 S * 11/2007 Chen et al. D24/102
D557,797 S * 12/2007 Stawski et al. D24/101
D700,315 S * 2/2014 Kim et al. D24/103

* cited by examiner

Primary Examiner — Ian Simmons
Assistant Examiner — Charles Hanson

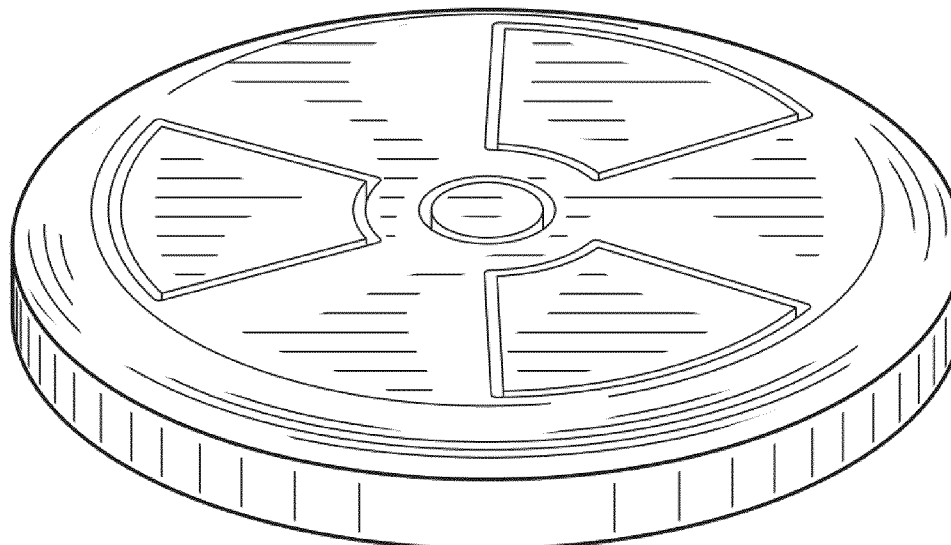
(57) **CLAIM**

The ornamental design for an effervescent tablet, as shown and described.

DESCRIPTION

FIG. 1 is a perspective front view of an effervescent tablet; FIG. 2 is a front elevation view of the effervescent tablet; the rear elevation view being a mirror image thereof; FIG. 3 is a left elevation view of the effervescent tablet; the right elevation view being a mirror image thereof; FIG. 4 is a top elevation view of the effervescent tablet; and, FIG. 5 is a bottom elevation view of the effervescent tablet. The markings on the bottom of the effervescent tablet are shown in broken lines for illustrative purposes only and form no part of the claimed design.

1 Claim, 2 Drawing Sheets



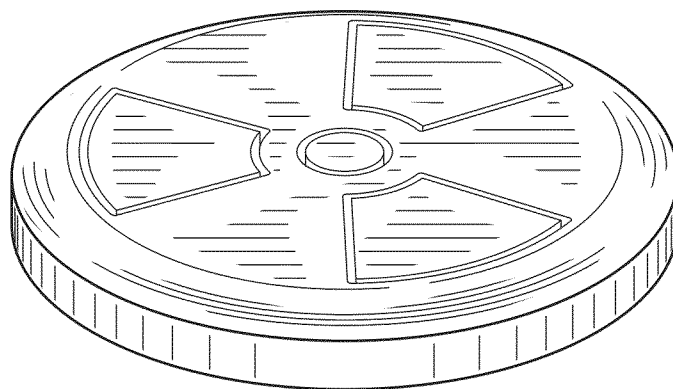


FIG. 1

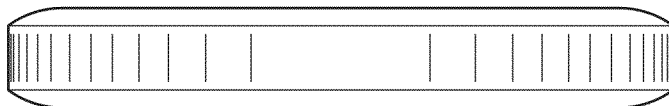


FIG. 2

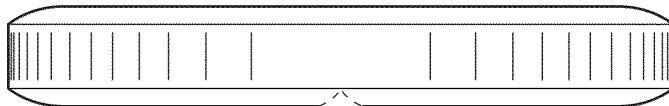


FIG. 3

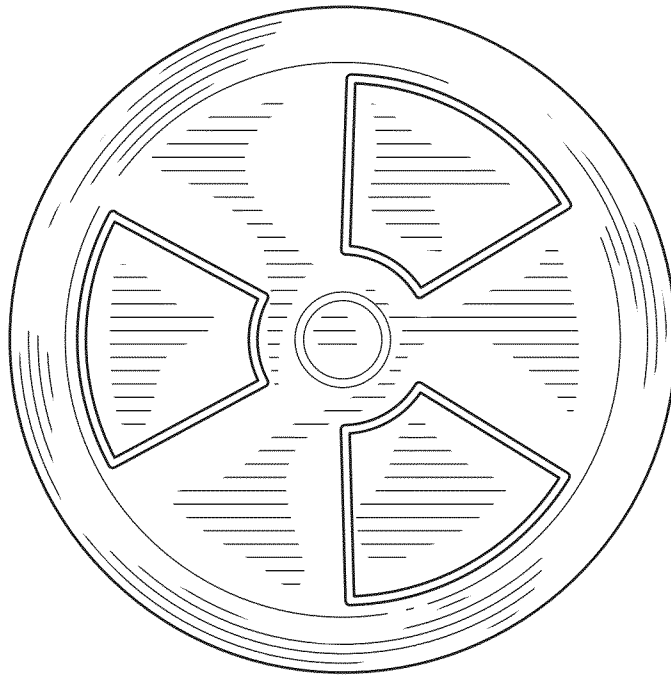


FIG. 4

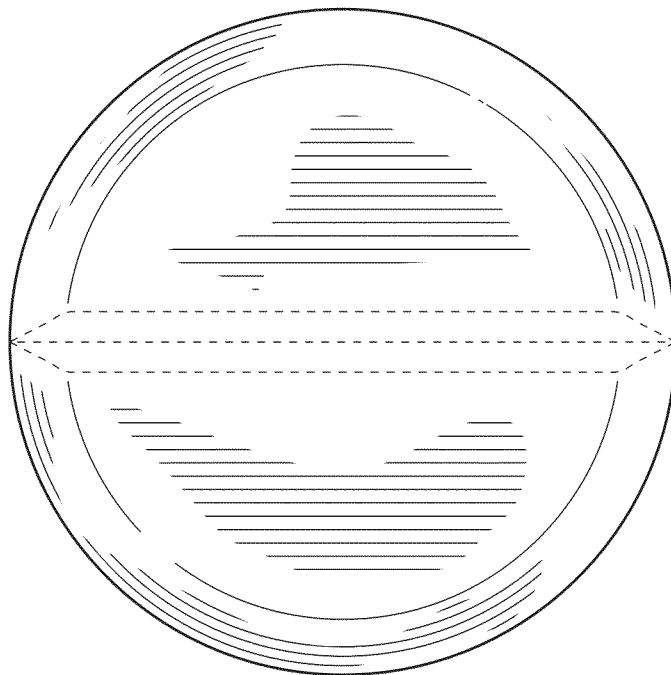


FIG. 5