



US00D701258S

(12) **United States Design Patent**  
**Huang**

(10) **Patent No.:** **US D701,258 S**

(45) **Date of Patent:** **\*\* Mar. 18, 2014**

(54) **WALL MOUNTED DOME CAMERA**

(71) Applicant: **Xueyu Huang**, Jiangmen (CN)

(72) Inventor: **Xueyu Huang**, Jiangmen (CN)

(\*\*) Term: **14 Years**

(21) Appl. No.: **29/443,250**

(22) Filed: **Jan. 15, 2013**

(30) **Foreign Application Priority Data**

Jul. 19, 2012 (CN) ..... 2012 3 0326701

(51) **LOC (10) Cl.** ..... **16-01**

(52) **U.S. Cl.**  
USPC ..... **D16/203**

(58) **Field of Classification Search**  
USPC ..... D16/200, 202, 203, 208, 218; 348/143,  
348/151, 373-376; 396/427, 535-541  
See application file for complete search history.

(56) **References Cited**

**U.S. PATENT DOCUMENTS**

3,916,097 A \* 10/1975 Imai ..... D16/203  
D349,713 S \* 8/1994 Hasegawa ..... D16/203

D424,087 S \* 5/2000 Frick et al. .... D16/203  
D461,488 S \* 8/2002 Benavides et al. .... D16/335  
6,735,382 B2 \* 5/2004 Schneider ..... 348/143  
D542,320 S \* 5/2007 Cheng ..... D16/203  
D564,005 S \* 3/2008 Cheng ..... D16/203  
D662,120 S \* 6/2012 Deurwaarder ..... D16/203  
2006/0024046 A1 \* 2/2006 Jones et al. .... 396/427

\* cited by examiner

*Primary Examiner* — Adir Aronovich

(74) *Attorney, Agent, or Firm* — R. Neil Sudol; Henry D. Coleman

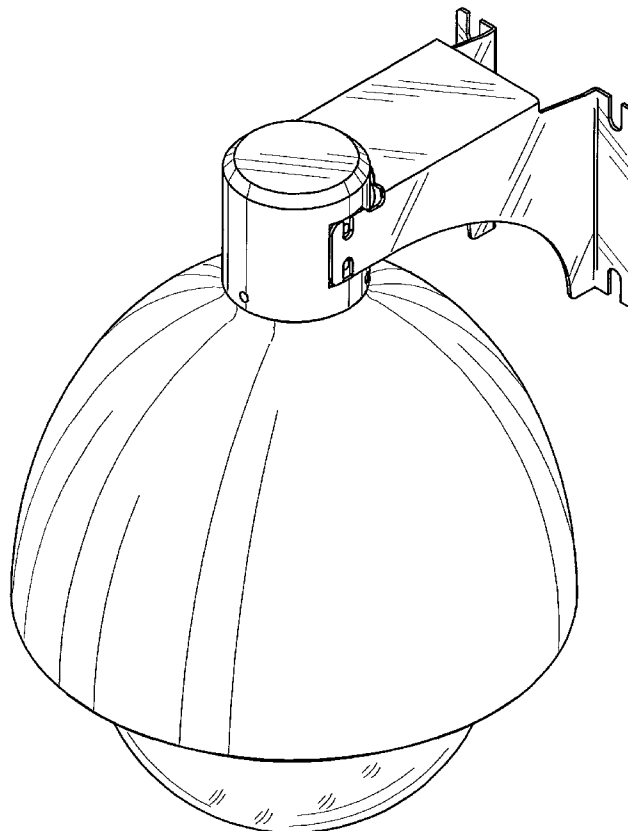
(57) **CLAIM**

The ornamental design for the wall mounted dome camera, as shown and described.

**DESCRIPTION**

FIG. 1 is a top, rear and right side perspective view of a wall mounted dome camera showing my new design; FIG. 2 is a front elevational view thereof; FIG. 3 is a rear elevational view thereof; FIG. 4 is a left side side elevational thereof; FIG. 5 is a right side elevational thereof; FIG. 6 is a top plan view thereof; and, FIG. 7 is a bottom plan view thereof.

**1 Claim, 7 Drawing Sheets**



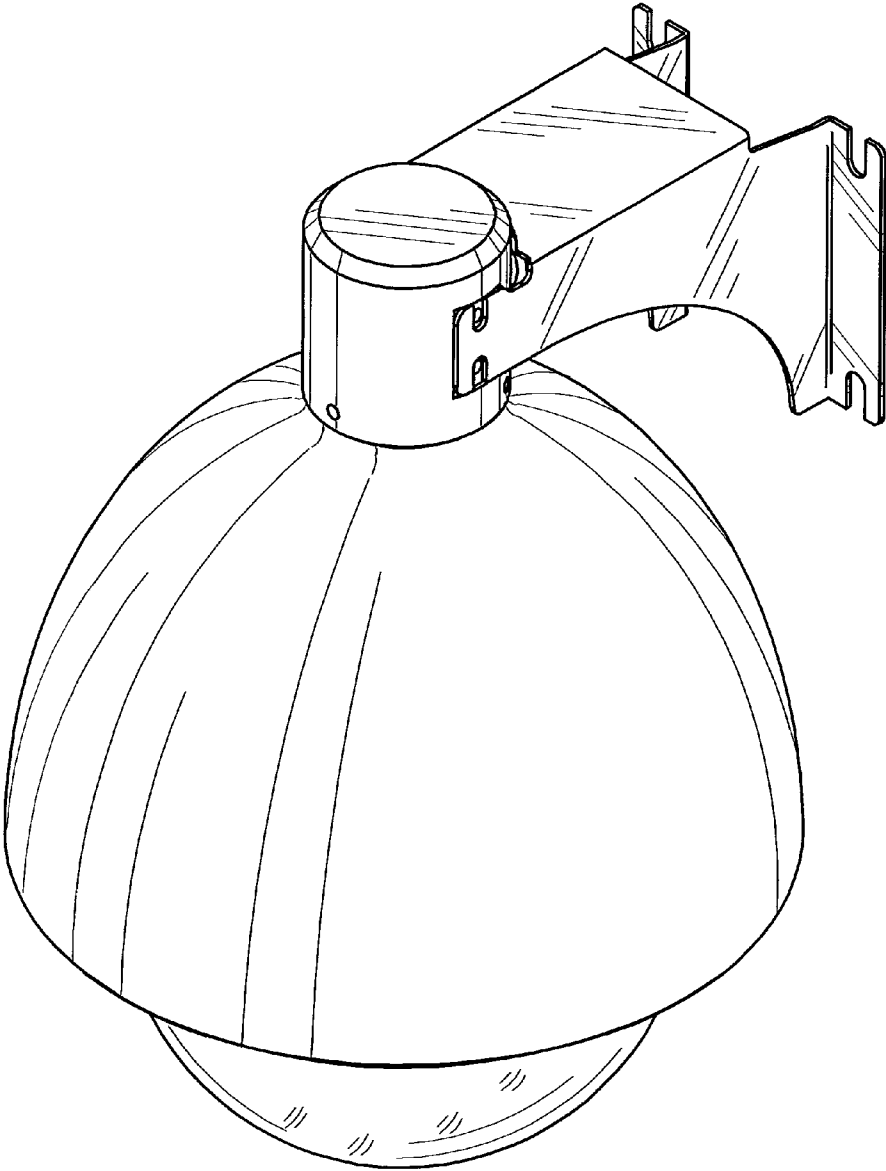


FIG.1

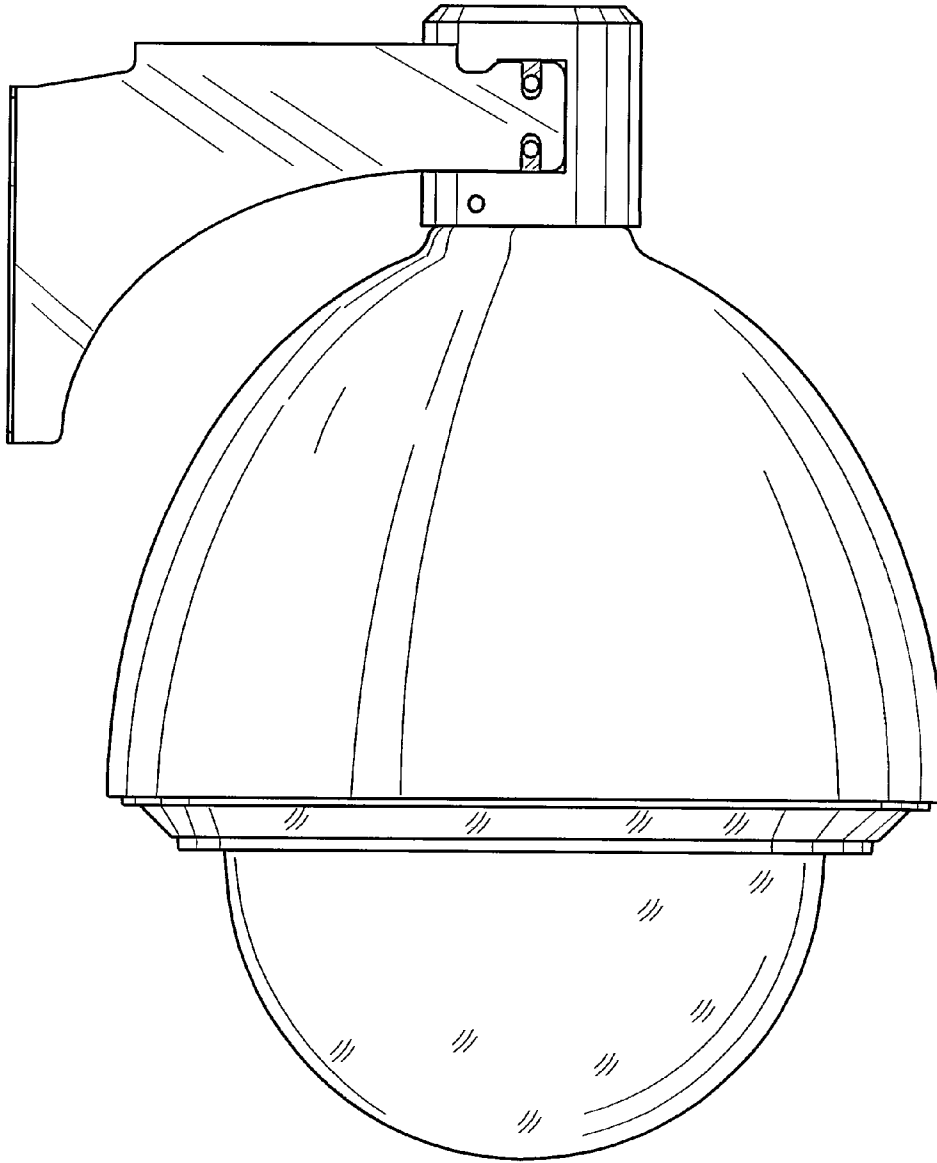


FIG.2

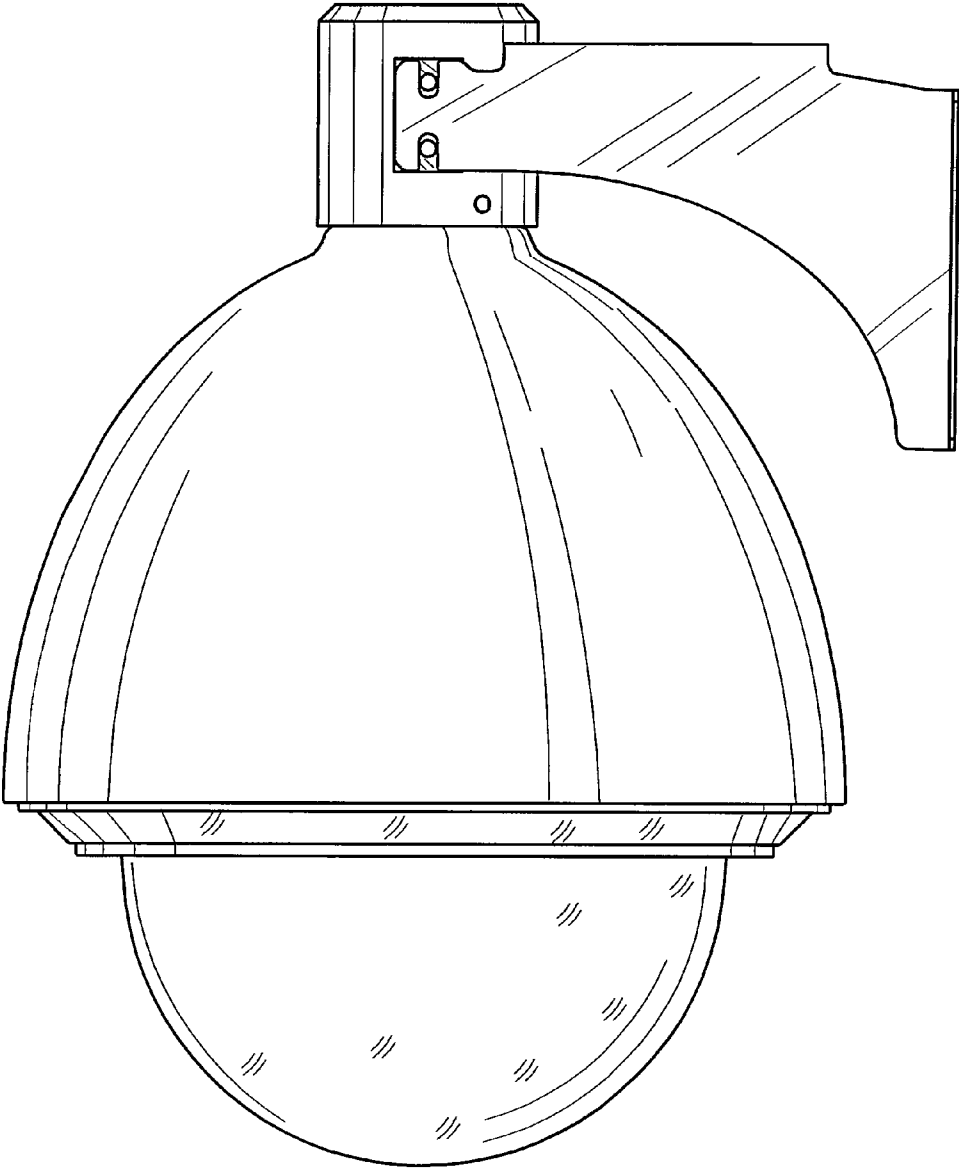


FIG.3

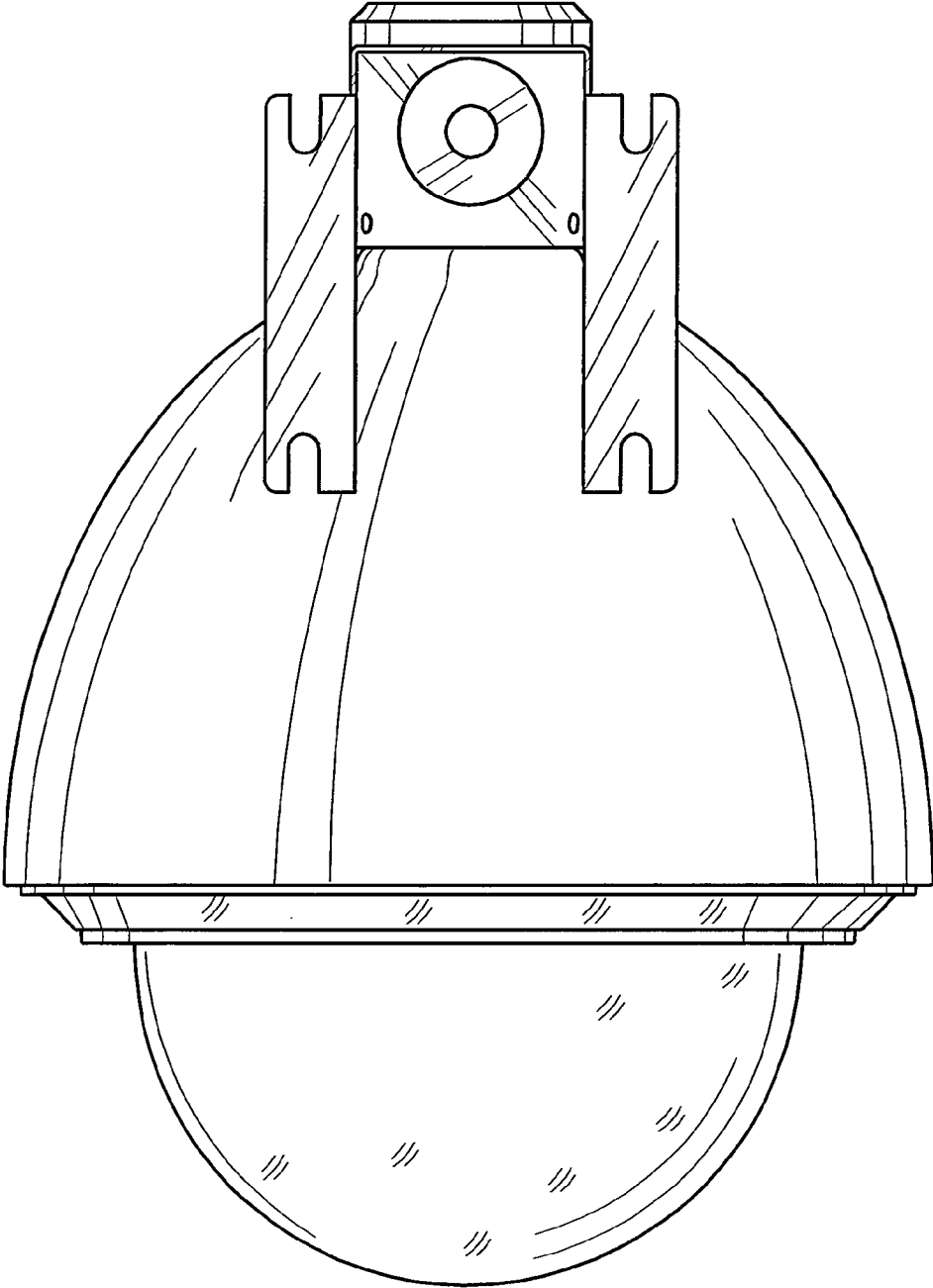


FIG.4

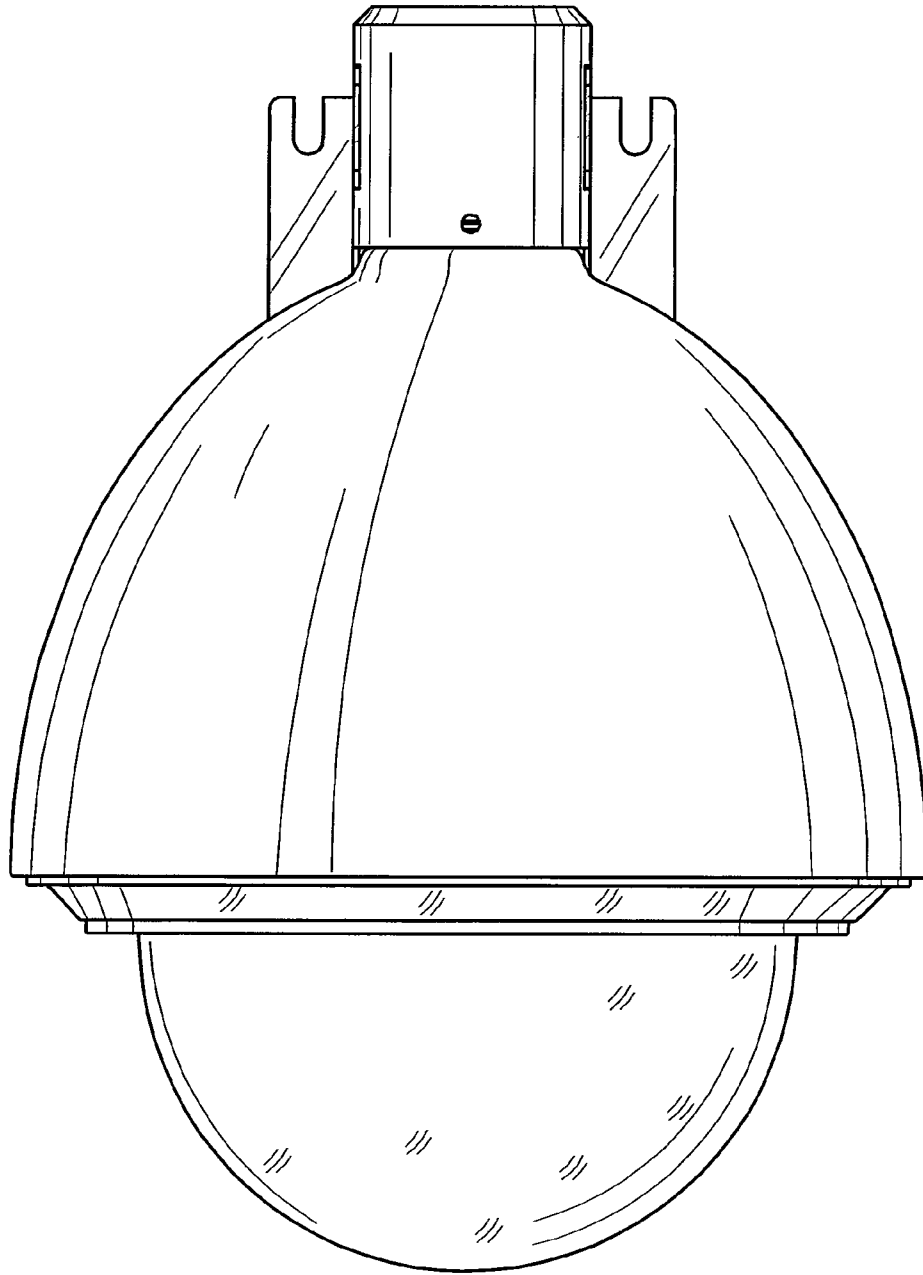


FIG.5

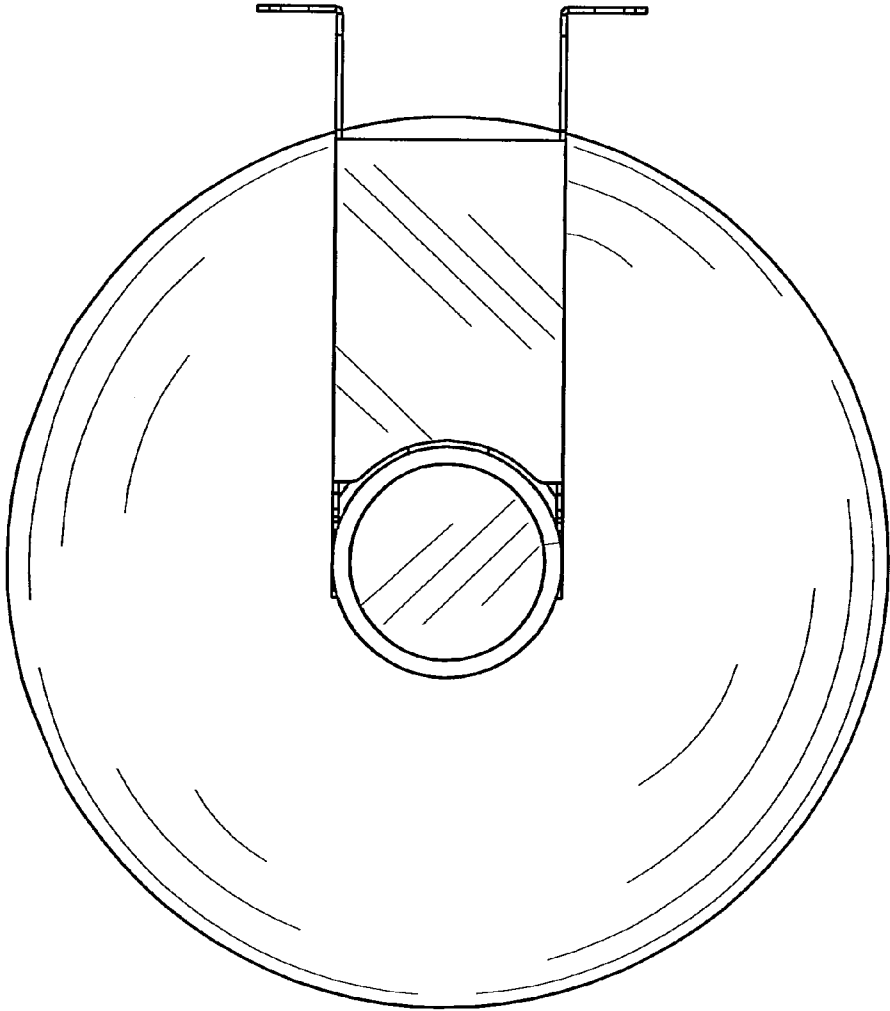


FIG.6

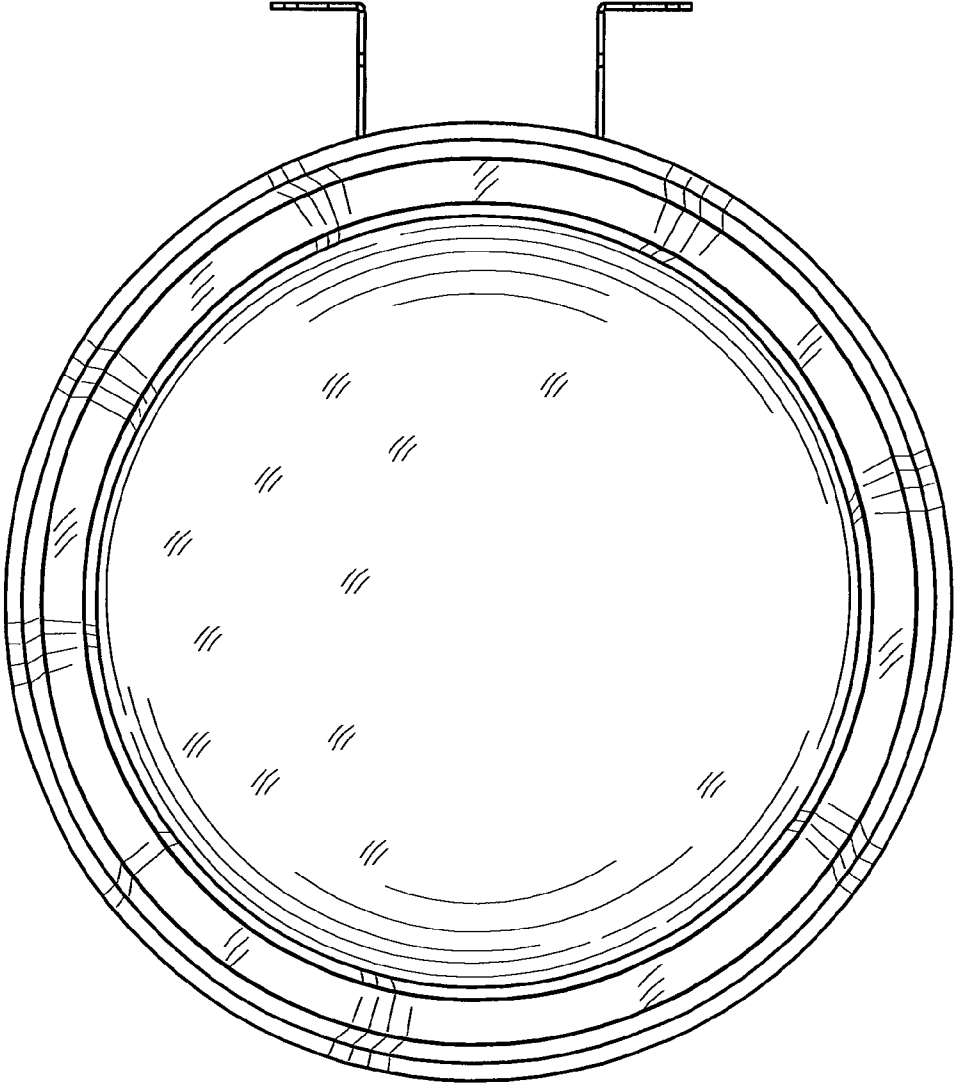


FIG.7