

(19) World Intellectual Property  
Organization  
International Bureau



(43) International Publication Date  
16 December 2004 (16.12.2004)

PCT

(10) International Publication Number  
**WO 2004/109526 A3**

(51) International Patent Classification<sup>7</sup>: **G06F 13/16**

(21) International Application Number:  
PCT/US2004/016116

(22) International Filing Date: 20 May 2004 (20.05.2004)

(25) Filing Language: English

(26) Publication Language: English

(30) Priority Data:  
10/456,353 5 June 2003 (05.06.2003) US

(71) Applicant: **INTEL CORPORATION** [US/US]; 2200  
Mission College Boulevard, Santa Clara, CA 95052 (US).

(72) Inventors: **VOGT, Pete**; 5395 Centennial Trail, Boulder,  
CO 80303 (US). **MORROW, Warren**; 902 Rowell Street,  
Steilacoom, WA 98388 (US). **BRZEZINSKI, Dennis**; 824  
Brookline Drive, Sunnyvale, CA 94087 (US).

(74) Agents: **MAKUCH, Joseph, S.** et al.; Marger, Johnson &  
McCullom, 1030 SW Morrison Street, Portland, OR 97205  
(US).

(81) Designated States (unless otherwise indicated, for every  
kind of national protection available): AE, AG, AL, AM,

AT, AU, AZ, BA, BB, BG, BR, BW, BY, BZ, CA, CH, CN,  
CO, CR, CU, CZ, DE, DK, DM, DZ, EC, EE, EG, ES, FI,  
GB, GD, GE, GH, GM, HR, HU, ID, IL, IN, IS, JP, KE,  
KG, KP, KR, KZ, LC, LK, LR, LS, LT, LU, LV, MA, MD,  
MG, MK, MN, MW, MX, MZ, NA, NI, NO, NZ, OM, PG,  
PH, PL, PT, RO, RU, SC, SD, SE, SG, SK, SL, SY, TJ, TM,  
TN, TR, TT, TZ, UA, UG, US, UZ, VC, VN, YU, ZA, ZM,  
ZW.

(84) Designated States (unless otherwise indicated, for every  
kind of regional protection available): ARIPO (BW, GH,  
GM, KE, LS, MW, MZ, NA, SD, SL, SZ, TZ, UG, ZM,  
ZW), Eurasian (AM, AZ, BY, KG, KZ, MD, RU, TJ, TM),  
European (AT, BE, BG, CH, CY, CZ, DE, DK, EE, ES, FI,  
FR, GB, GR, HU, IE, IT, LU, MC, NL, PL, PT, RO, SE, SI,  
SK, TR), OAPI (BF, BJ, CF, CG, CI, CM, GA, GN, GQ,  
GW, ML, MR, NE, SN, TD, TG).

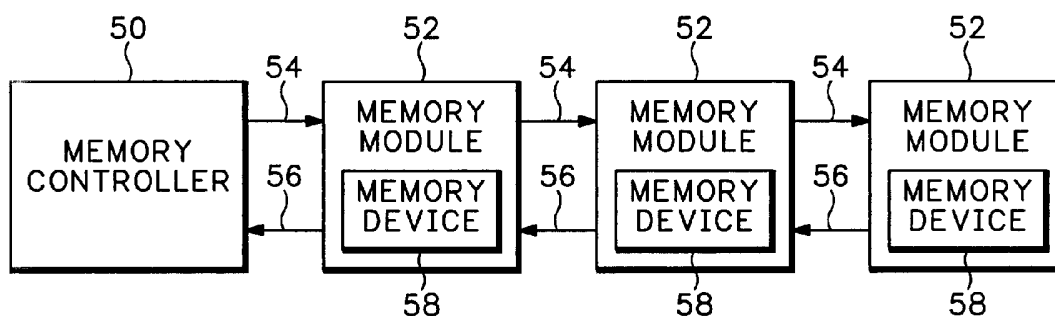
**Published:**

- with international search report
- before the expiration of the time limit for amending the claims and to be republished in the event of receipt of amendments

(88) Date of publication of the international search report:  
14 April 2005

For two-letter codes and other abbreviations, refer to the "Guidance Notes on Codes and Abbreviations" appearing at the beginning of each regular issue of the PCT Gazette.

(54) Title: MEMORY CHANNEL WITH BIT LANE FAIL-OVER



(57) Abstract: Memory apparatus and methods utilizing multiple bit lanes may redirect one or more signals on the bit lanes. A memory agent may include a redrive circuit having a plurality of bit lanes, a memory device or interface, and a fail-over circuit coupled between the plurality of bit lanes and the memory device or interface.

WO 2004/109526 A3

# INTERNATIONAL SEARCH REPORT

International Application No  
PCT/US2004/016116

<b>A. CLASSIFICATION OF SUBJECT MATTER</b> IPC 7 G06F13/16				
According to International Patent Classification (IPC) or to both national classification and IPC				
<b>B. FIELDS SEARCHED</b>				
Minimum documentation searched (classification system followed by classification symbols) IPC 7 G06F				
Documentation searched other than minimum documentation to the extent that such documents are included in the fields searched				
Electronic data base consulted during the international search (name of data base and, where practical, search terms used) EPO-Internal				
<b>C. DOCUMENTS CONSIDERED TO BE RELEVANT</b>				
Category °	Citation of document, with indication, where appropriate, of the relevant passages	Relevant to claim No.		
X	THE INSTITUTE OF ELECTRICAL AND ELECTRONICS ENGINEERS: "Standard for High-Bandwidth Memory Interface Based on Scalable Coherent Interface Signalling Technology (RamLink)" IEEE STANDARDS, vol. IEEE, no. 1596.4, 19 March 1996 (1996-03-19), XP002315223	1-25, 27-29		
Y	the whole document	26, 30, 31		
Y	EP 1 113 363 A (EMC CORPORATION) 4 July 2001 (2001-07-04) abstract	26, 30, 31		
Y	US 6 128 750 A (ESPY ET AL) 3 October 2000 (2000-10-03) abstract	26, 30, 31		
<input type="checkbox"/> Further documents are listed in the continuation of box C.				
<input checked="" type="checkbox"/> Patent family members are listed in annex.				
° Special categories of cited documents :				
<table style="width: 100%; border: none;"> <tr> <td style="width: 50%; vertical-align: top; padding: 5px;"> <ul style="list-style-type: none"> <li>*A* document defining the general state of the art which is not considered to be of particular relevance</li> <li>*E* earlier document but published on or after the international filing date</li> <li>*L* document which may throw doubts on priority claim(s) or which is cited to establish the publication date of another citation or other special reason (as specified)</li> <li>*O* document referring to an oral disclosure, use, exhibition or other means</li> <li>*P* document published prior to the international filing date but later than the priority date claimed</li> </ul> </td> <td style="width: 50%; vertical-align: top; padding: 5px;"> <ul style="list-style-type: none"> <li>*T* later document published after the international filing date or priority date and not in conflict with the application but cited to understand the principle or theory underlying the invention</li> <li>*X* document of particular relevance; the claimed invention cannot be considered novel or cannot be considered to involve an inventive step when the document is taken alone</li> <li>*Y* document of particular relevance; the claimed invention cannot be considered to involve an inventive step when the document is combined with one or more other such documents, such combination being obvious to a person skilled in the art.</li> <li>*&amp;* document member of the same patent family</li> </ul> </td> </tr> </table>			<ul style="list-style-type: none"> <li>*A* document defining the general state of the art which is not considered to be of particular relevance</li> <li>*E* earlier document but published on or after the international filing date</li> <li>*L* document which may throw doubts on priority claim(s) or which is cited to establish the publication date of another citation or other special reason (as specified)</li> <li>*O* document referring to an oral disclosure, use, exhibition or other means</li> <li>*P* document published prior to the international filing date but later than the priority date claimed</li> </ul>	<ul style="list-style-type: none"> <li>*T* later document published after the international filing date or priority date and not in conflict with the application but cited to understand the principle or theory underlying the invention</li> <li>*X* document of particular relevance; the claimed invention cannot be considered novel or cannot be considered to involve an inventive step when the document is taken alone</li> <li>*Y* document of particular relevance; the claimed invention cannot be considered to involve an inventive step when the document is combined with one or more other such documents, such combination being obvious to a person skilled in the art.</li> <li>*&amp;* document member of the same patent family</li> </ul>
<ul style="list-style-type: none"> <li>*A* document defining the general state of the art which is not considered to be of particular relevance</li> <li>*E* earlier document but published on or after the international filing date</li> <li>*L* document which may throw doubts on priority claim(s) or which is cited to establish the publication date of another citation or other special reason (as specified)</li> <li>*O* document referring to an oral disclosure, use, exhibition or other means</li> <li>*P* document published prior to the international filing date but later than the priority date claimed</li> </ul>	<ul style="list-style-type: none"> <li>*T* later document published after the international filing date or priority date and not in conflict with the application but cited to understand the principle or theory underlying the invention</li> <li>*X* document of particular relevance; the claimed invention cannot be considered novel or cannot be considered to involve an inventive step when the document is taken alone</li> <li>*Y* document of particular relevance; the claimed invention cannot be considered to involve an inventive step when the document is combined with one or more other such documents, such combination being obvious to a person skilled in the art.</li> <li>*&amp;* document member of the same patent family</li> </ul>			
Date of the actual completion of the international search  <p style="text-align: center;">27 January 2005</p>	Date of mailing of the international search report  <p style="text-align: center;">14/02/2005</p>			
Name and mailing address of the ISA European Patent Office, P.B. 5818 Patentlaan 2 NL - 2280 HV Rijswijk Tel. (+31-70) 340-2040, Tx. 31 651 epo nl, Fax: (+31-70) 340-3016	Authorized officer  <p style="text-align: center;">Rudolph, S</p>			

# INTERNATIONAL SEARCH REPORT

Information on patent family members

International Application No  
PCT/US2004/016116

Patent document cited in search report		Publication date		Patent family member(s)		Publication date
EP 1113363	A	04-07-2001	US	6571355 B1		27-05-2003
			EP	1113363 A2		04-07-2001
<hr/>						
US 6128750	A	03-10-2000	US	5922077 A		13-07-1999
			AU	4820097 A		03-06-1998
			CA	2264050 A1		22-05-1998
			DE	69715443 D1		17-10-2002
			DE	69715443 T2		07-08-2003
			EP	0938705 A1		01-09-1999
			JP	2000505223 T		25-04-2000
			JP	3271669 B2		02-04-2002
			WO	9821657 A1		22-05-1998
<hr/>						