



US0D1069667S

(12) **United States Design Patent** (10) **Patent No.:** **US D1,069,667 S**
Evers et al. (45) **Date of Patent:** **** *Apr. 8, 2025**

(54) **VEHICLE BODY PANEL** D1,008,135 S * 12/2023 Evans D12/184
D1,009,733 S * 1/2024 Malachowski D12/184
(71) Applicant: **BOMBARDIER RECREATIONAL** D1,023,874 S * 4/2024 McMath D12/184
PRODUCTS INC., Valcourt (CA)

(72) Inventors: **Erik Evers, Bromont (CA); Richard Eck, Fulford (CA); Frederic Tavan, Sherbrooke (CA); Alexei Mikhailov, Bromont (CA)**

(73) Assignee: **BOMBARDIER RECREATIONAL PRODUCTS INC.,** Valcourt (CA)

(*) Notice: This patent is subject to a terminal disclaimer.

(**) Term: **15 Years**

(21) Appl. No.: **29/870,581**

(22) Filed: **Jan. 31, 2023**

(51) **LOC (15) Cl.** **12-16**

(52) **U.S. Cl.**
USPC **D12/196**

(58) **Field of Classification Search**
USPC D12/114, 164, 173, 181, 184, 186, 196;
D15/28
CPC B60R 13/00; B60R 13/08; B62D 25/02;
B62D 25/16; B62D 25/18
See application file for complete search history.

(56) **References Cited**

U.S. PATENT DOCUMENTS

D960,059	S	*	8/2022	Mallicote	D12/184
D966,161	S	*	10/2022	Ruiz	D12/184
D988,951	S	*	6/2023	McMath	D12/184
D988,953	S	*	6/2023	McMath	D12/184
D988,954	S	*	6/2023	McMath	D12/184
D996,324	S	*	8/2023	Evans	D12/184
D1,001,699	S	*	10/2023	Rose	D12/184
D1,005,892	S	*	11/2023	Frahammer	B62J 15/00 D12/186
D1,006,694	S	*	12/2023	Mallicote	D12/84
D1,008,127	S	*	12/2023	Gander	D12/173

OTHER PUBLICATIONS

2024 Can-Am Outlander. 2024. Can-Am. <https://can-am.brp.com/off-road/us/en/models/all-terrain-vehicles/outlander.html>.
2020 Can-Am Outlander. 2020. ATV.com. <https://www.atv.com/specs/can-am/utility/2020/outlander-xt/850/detail.html>.
2024 Can-Am Outlander Adventure ATV. 2024. Can-Am. <https://can-am.brp.com/off-road/us/en/models/all-terrain-vehicles/outlander.html#outlander>.

* cited by examiner

Primary Examiner — Garth Rademaker
Assistant Examiner — Suzanne E Tisdell
(74) *Attorney, Agent, or Firm* — BCF LLP

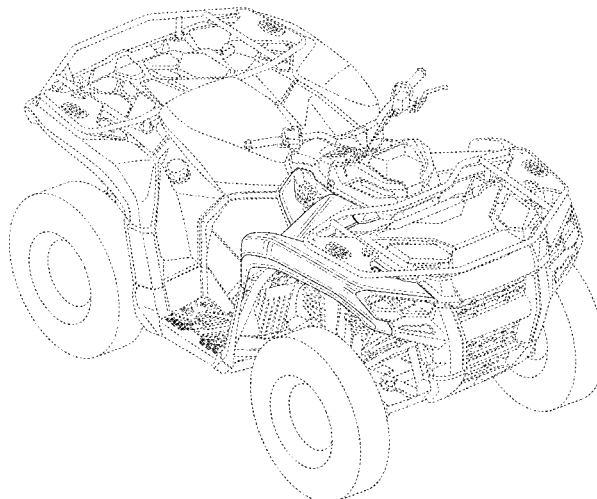
(57) **CLAIM**

The ornamental design for a vehicle body panel as shown and described.

DESCRIPTION

FIG. 1 is a perspective view taken from a front, left side of a vehicle body panel according to our design;
FIG. 2 is a perspective view taken from a front, right side thereof;
FIG. 3 is a perspective view taken from a rear, right side thereof;
FIG. 4 is a perspective view taken from a rear, left side thereof;
FIG. 5 is a front elevation view thereof;
FIG. 6 is a rear elevation view thereof;
FIG. 7 is a right side elevation view thereof;
FIG. 8 is a left side elevation view thereof;
FIG. 9 is a top plan view thereof; and,
FIG. 10 is a bottom plan view thereof.
Broken lines show environmental subject matter that forms no part of the claimed design.

1 Claim, 10 Drawing Sheets



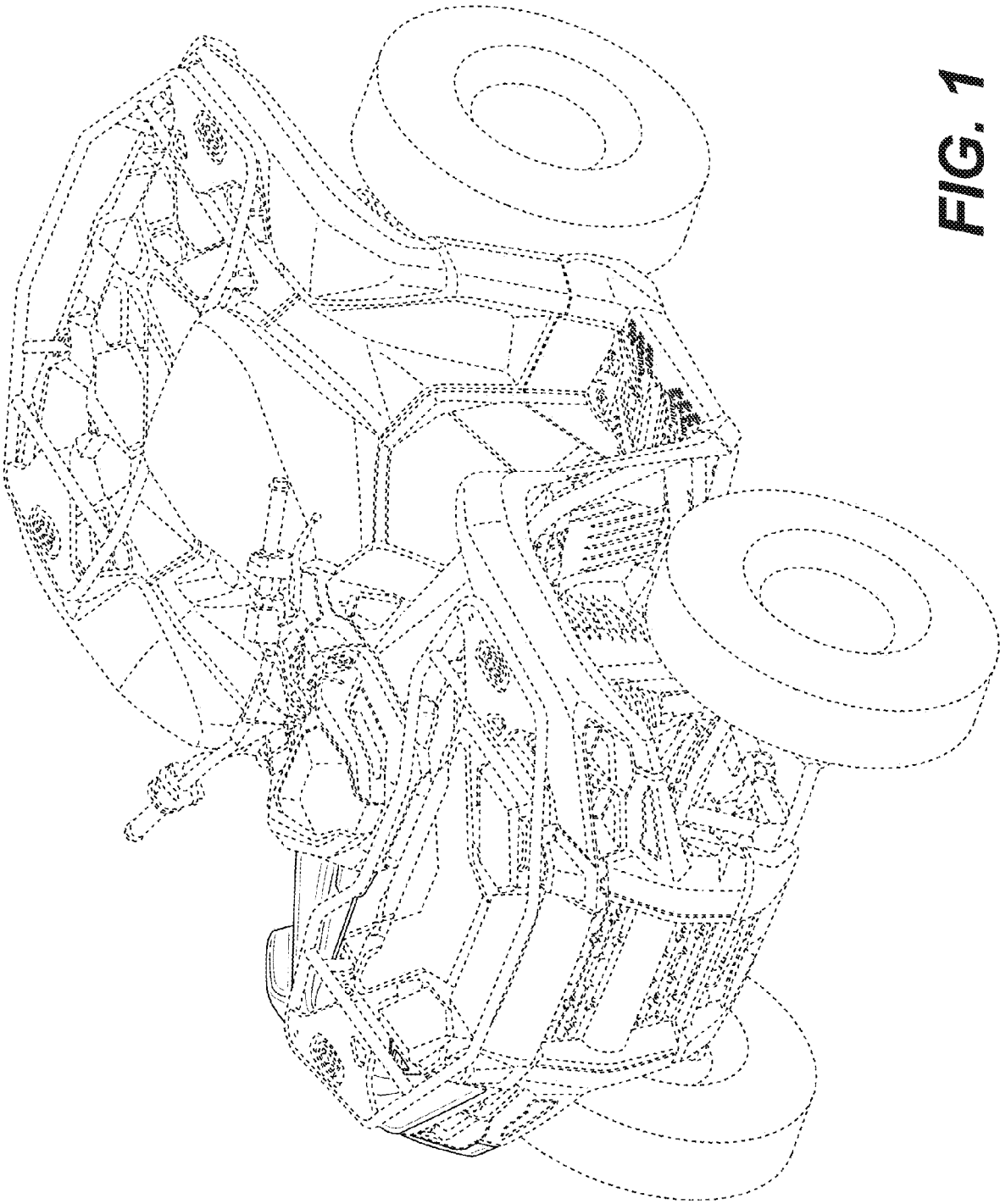


FIG. 1

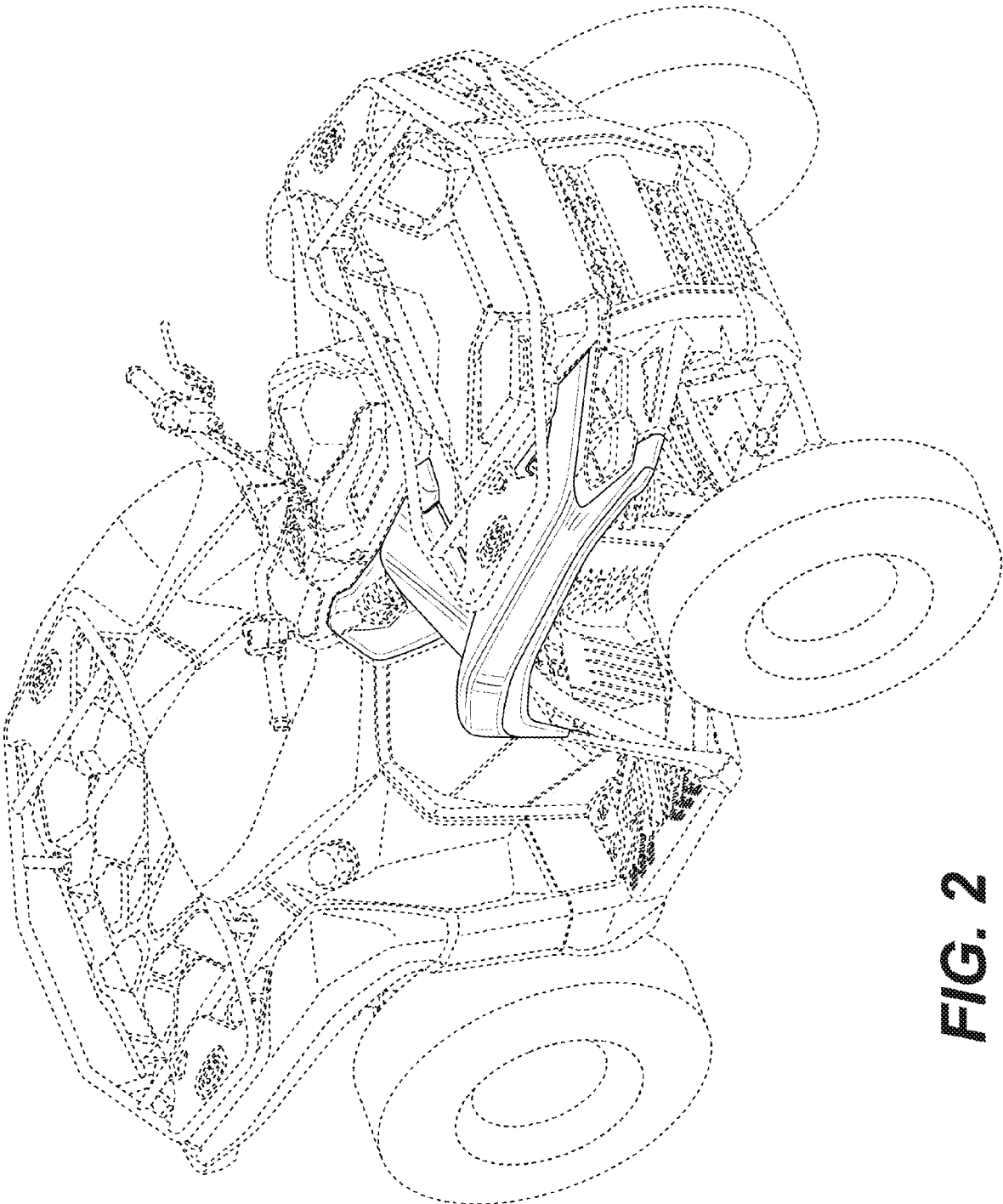


FIG. 2

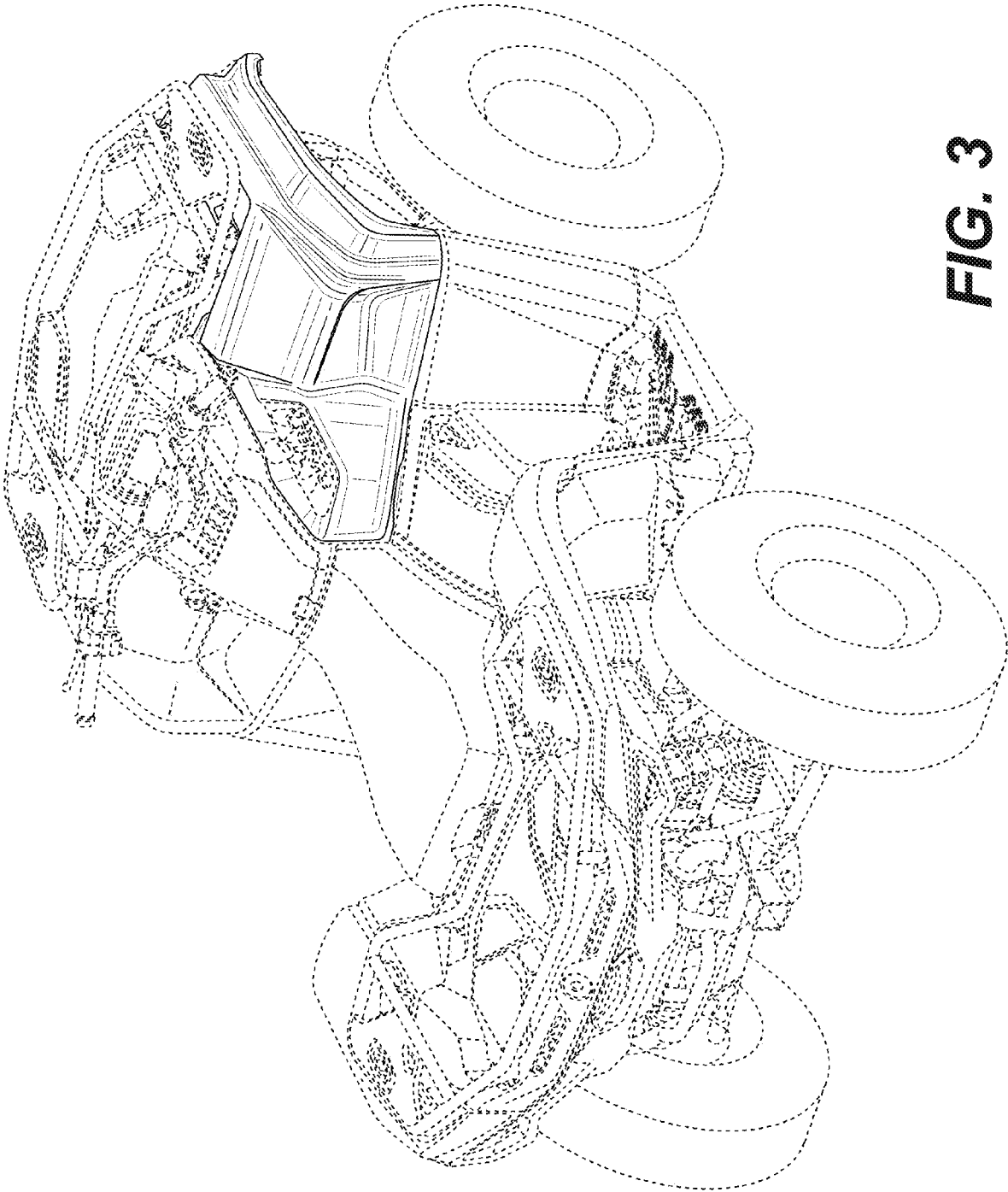


FIG. 3

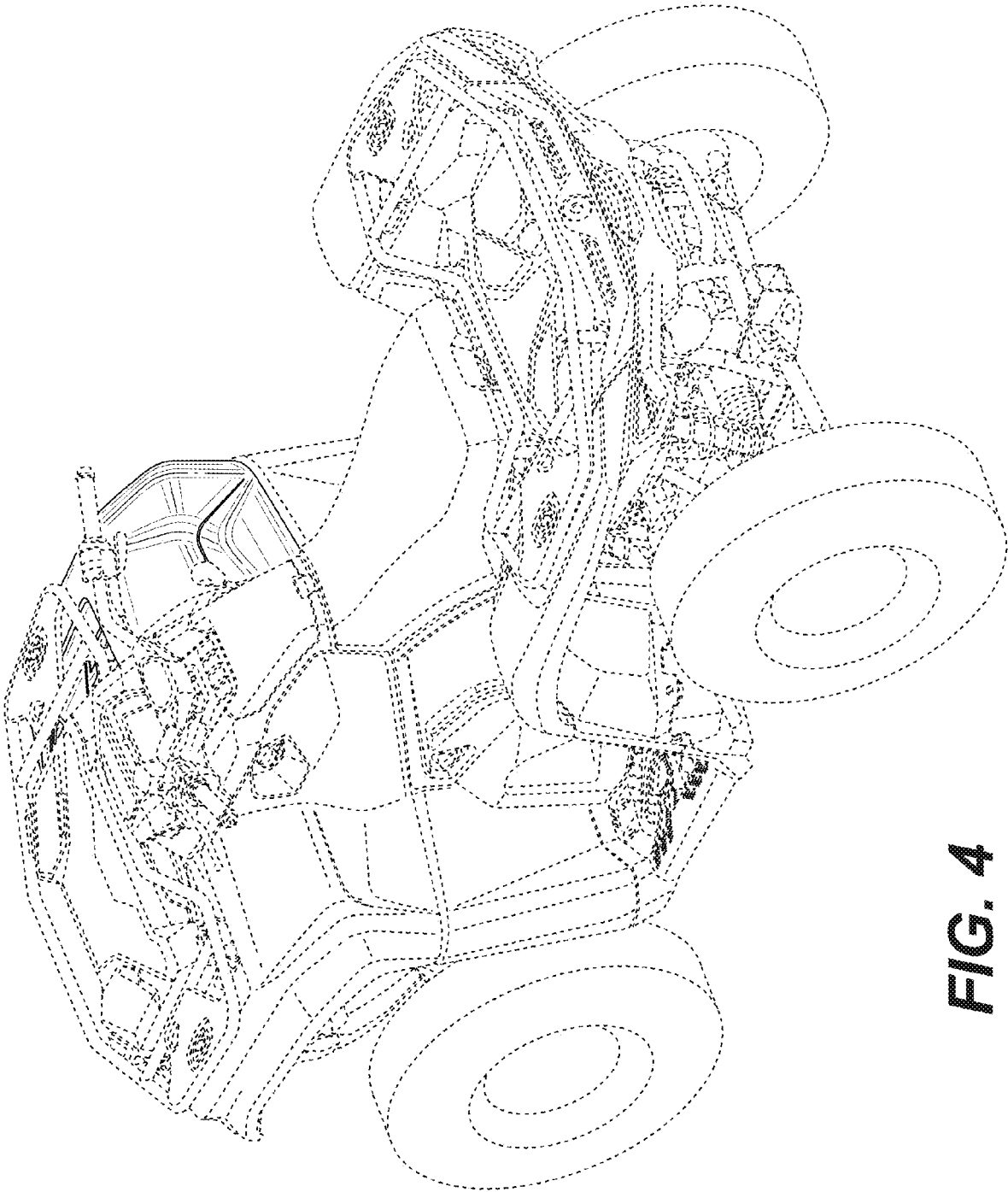


FIG. 4

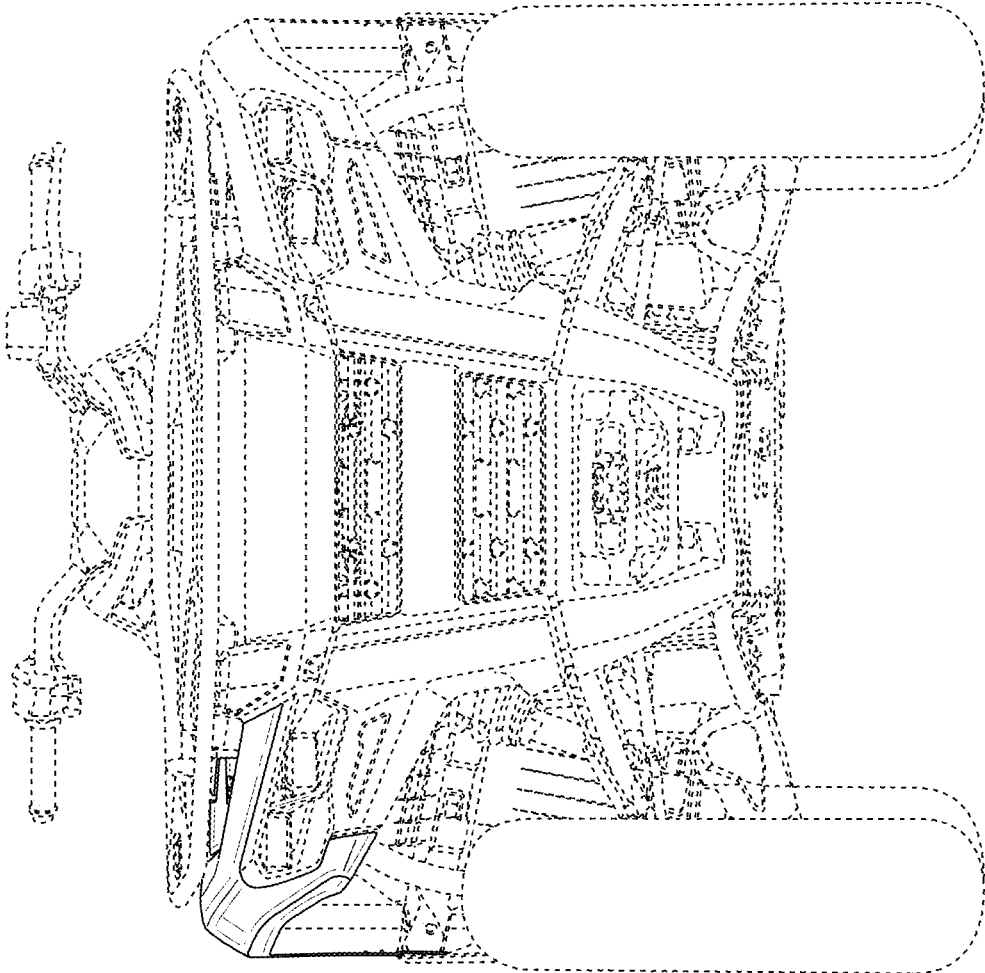


FIG. 5

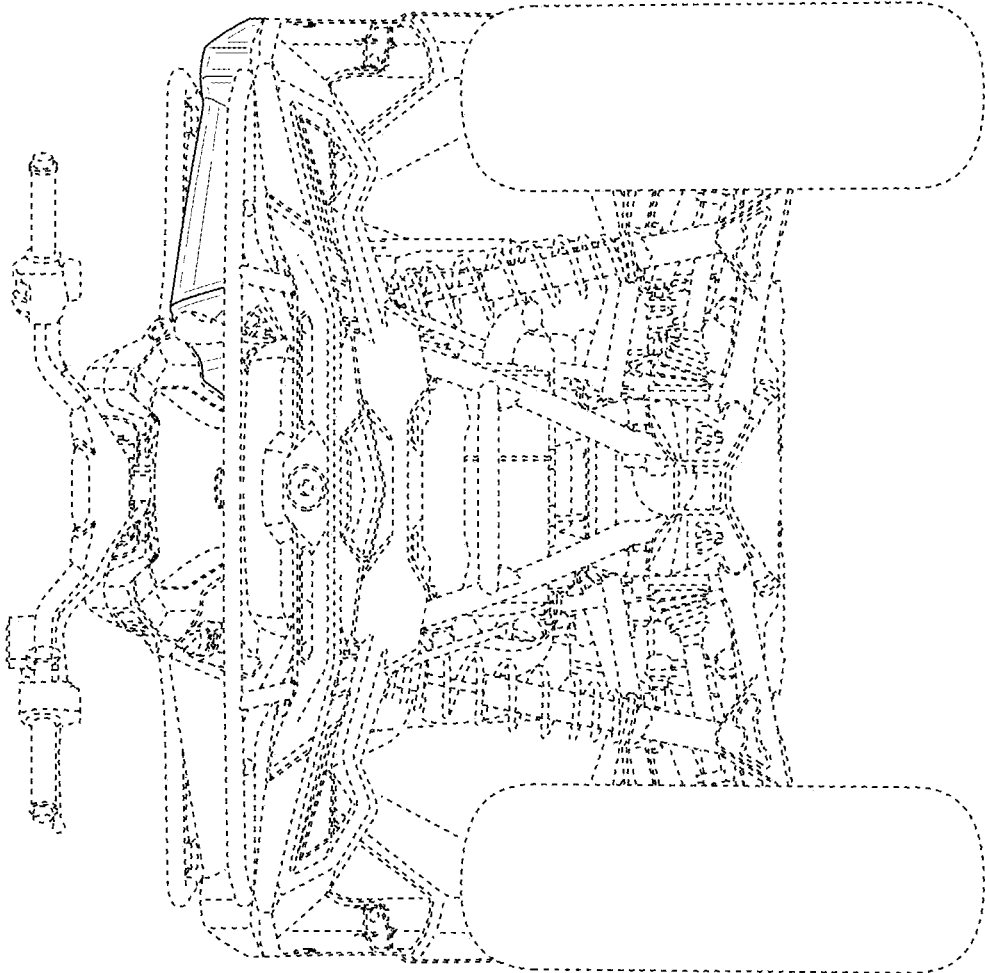


FIG. 6

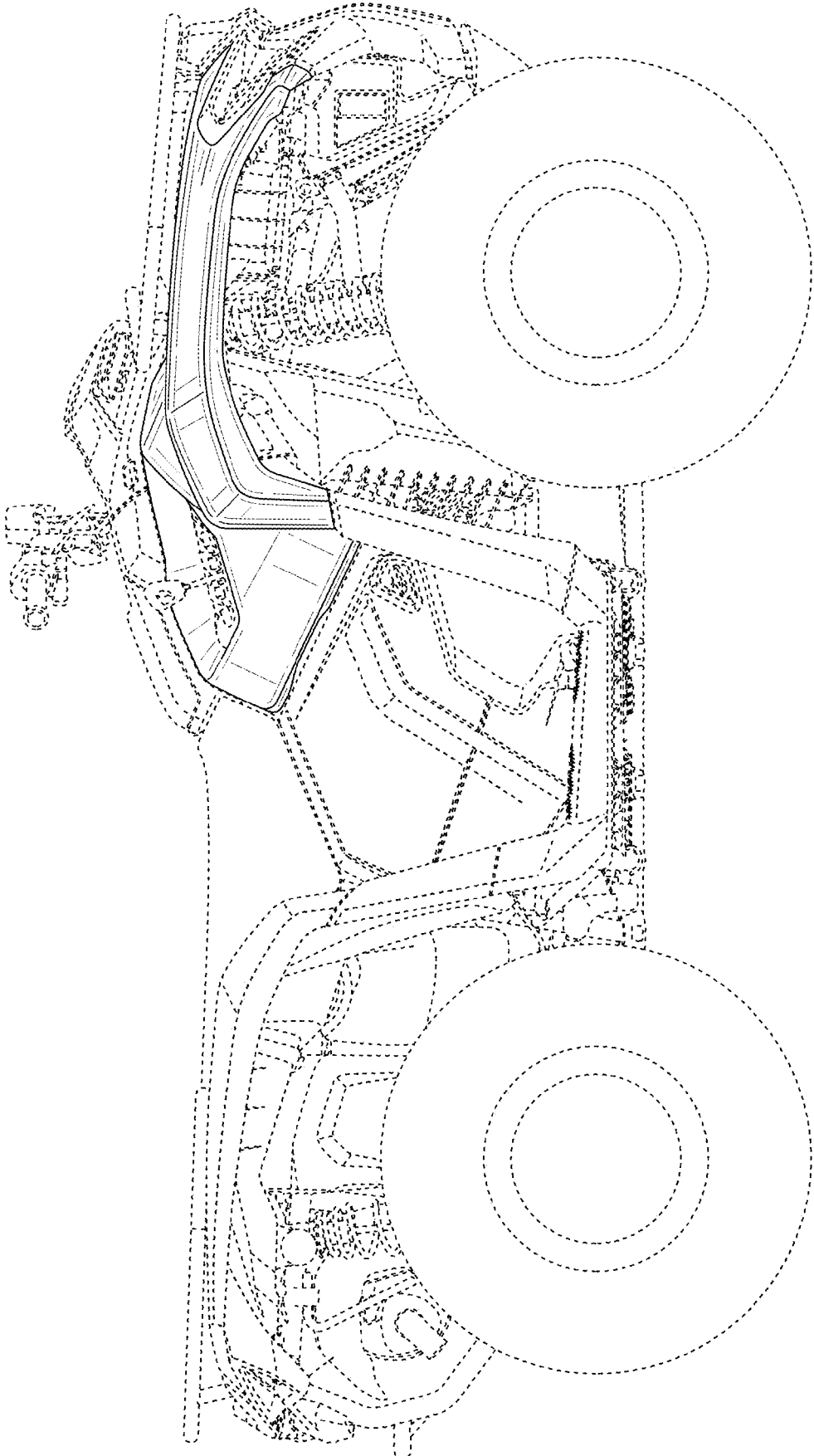


FIG. 7

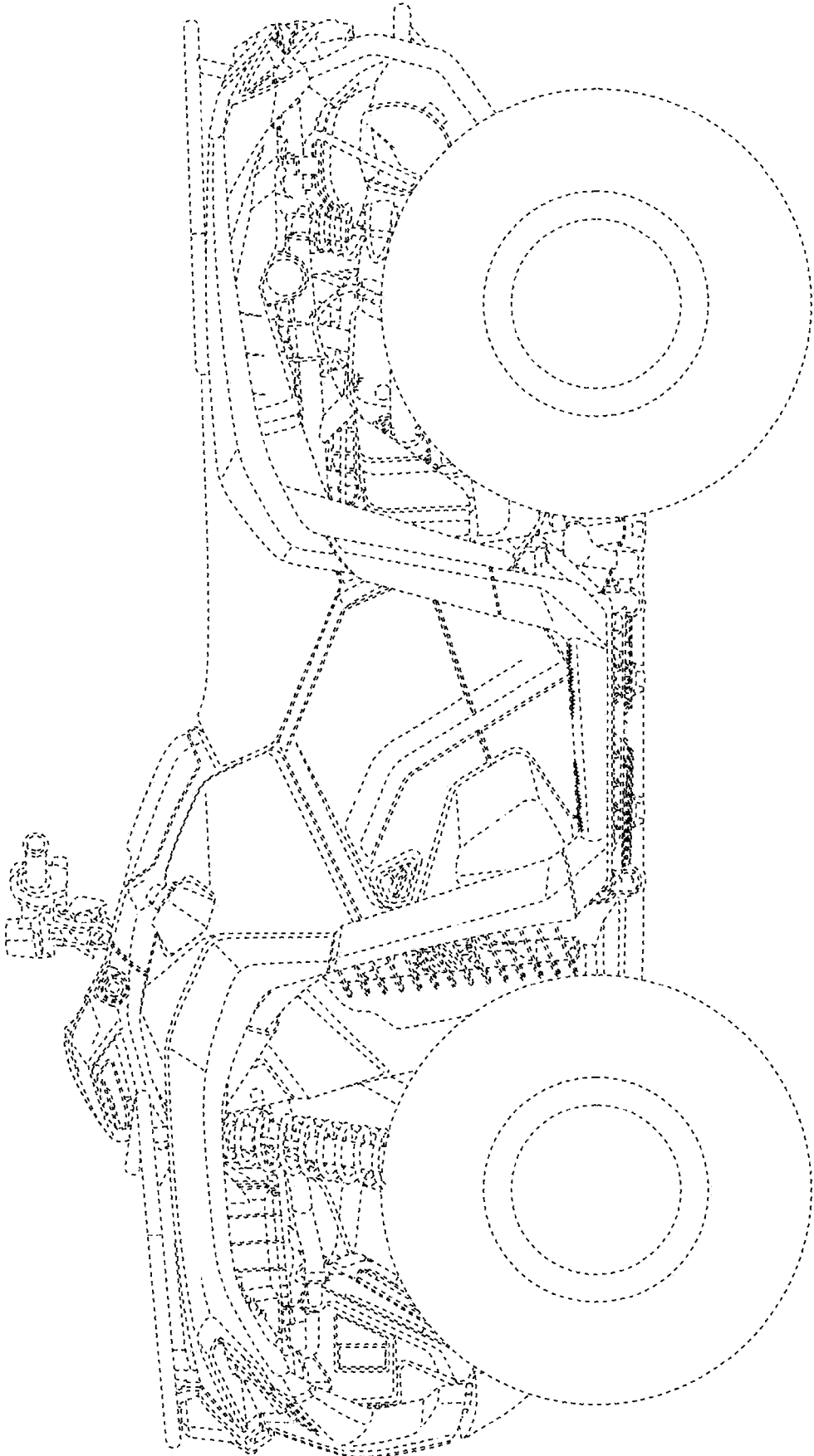


FIG. 8

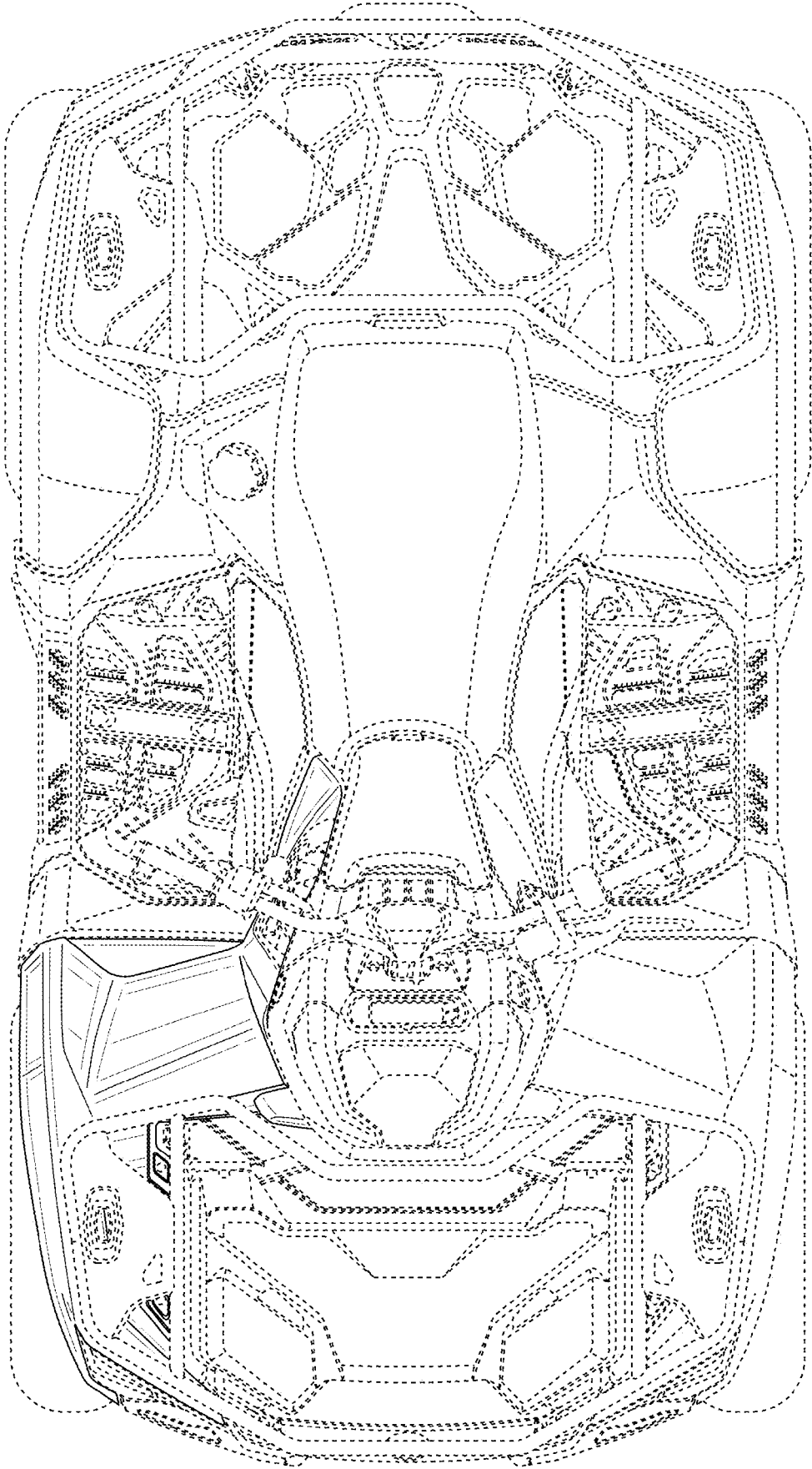


FIG. 9

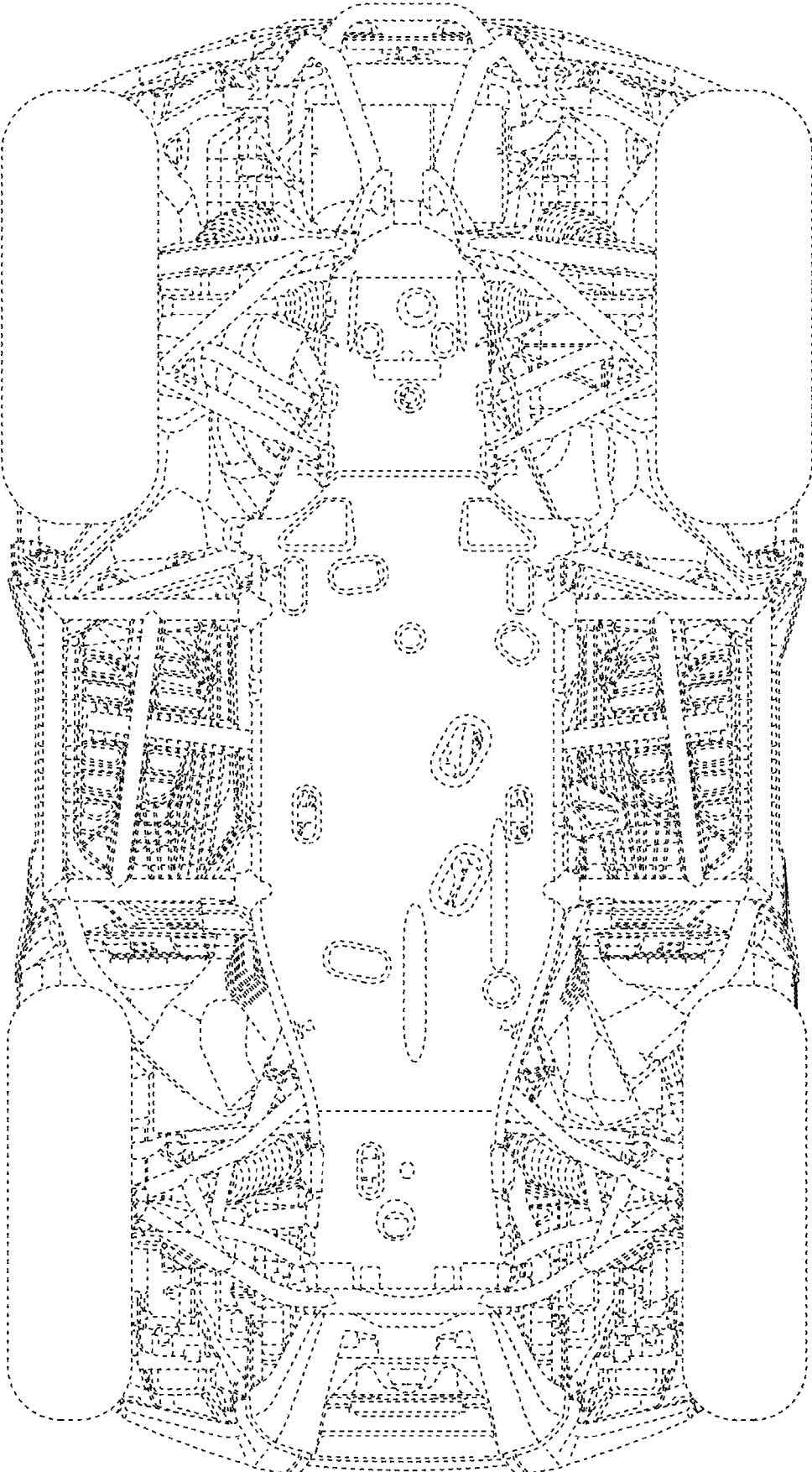


FIG. 10