



US00D790751S

(12) **United States Design Patent**
Kaiser

(10) **Patent No.:** **US D790,751 S**

(45) **Date of Patent:** **** Jun. 27, 2017**

(54) **LED LAMP**

(71) Applicant: **Erik A. Kaiser**, Mendham, NJ (US)

(72) Inventor: **Erik A. Kaiser**, Mendham, NJ (US)

(**) Term: **15 Years**

(21) Appl. No.: **29/571,194**

(22) Filed: **Jul. 15, 2016**

(51) **LOC (10) Cl.** **26-03**

(52) **U.S. Cl.**
USPC **D26/107**

(58) **Field of Classification Search**

USPC D26/1, 24, 61, 63, 65, 85, 93, 106, 107
CPC F21V 21/14; F21V 15/01; F21V 14/02;
F21V 21/30; F21V 21/00; F21V 14/00;
F21S 8/00; F21S 8/003; F21S 8/043;
F21Y 2105/001

See application file for complete search history.

(56) **References Cited**

U.S. PATENT DOCUMENTS

D368,549 S * 4/1996 Huang D26/107
D608,925 S * 1/2010 Hodgson D26/62

D624,231 S * 9/2010 Karim D26/93
D669,628 S * 10/2012 Huang D26/107
D673,716 S * 1/2013 Huang D26/93
D678,593 S * 3/2013 Huang D26/93

* cited by examiner

Primary Examiner — Brian N Vinson

(74) *Attorney, Agent, or Firm* — Steven N. Fox, Esq.

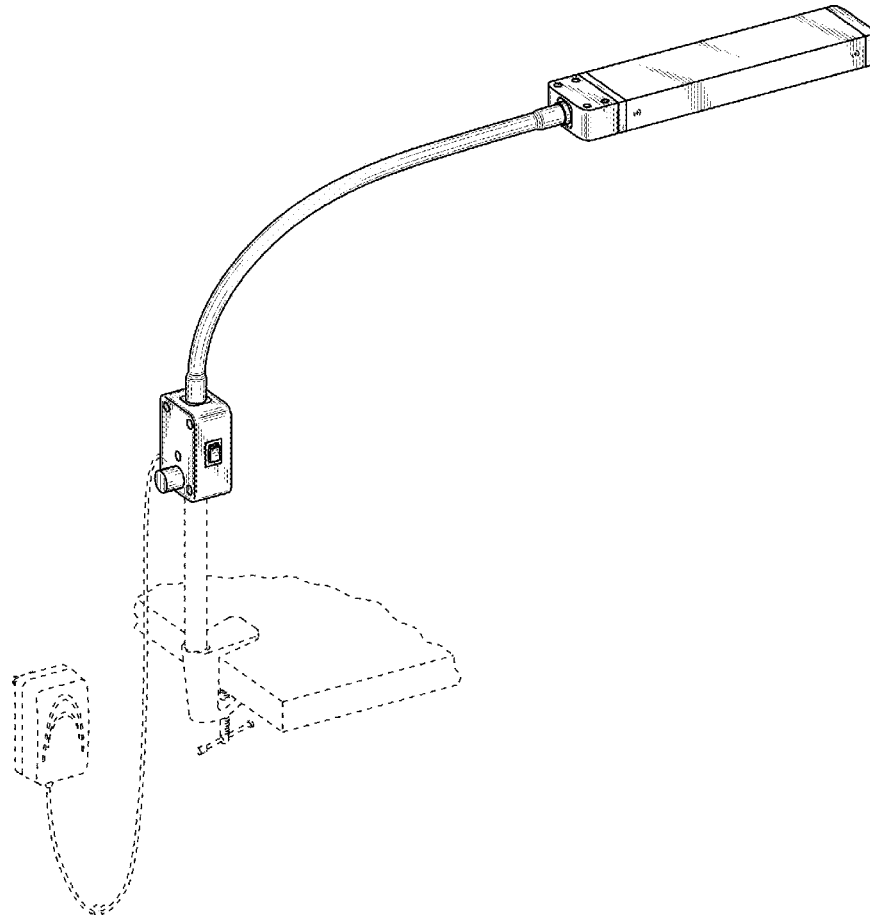
(57) **CLAIM**

The ornamental design for a LED lamp, as shown and described.

DESCRIPTION

FIG. 1 is a perspective view of a LED lamp according to the present invention;
FIG. 2 is a top view thereof;
FIG. 3 is a right side view thereof;
FIG. 4 is a bottom view thereof;
FIG. 5 is a front view thereof;
FIG. 6 is a left side view thereof; and,
FIG. 7 is a rear view thereof.
The features shown in broken lines illustrate environment and form no part of the claimed design.

1 Claim, 3 Drawing Sheets



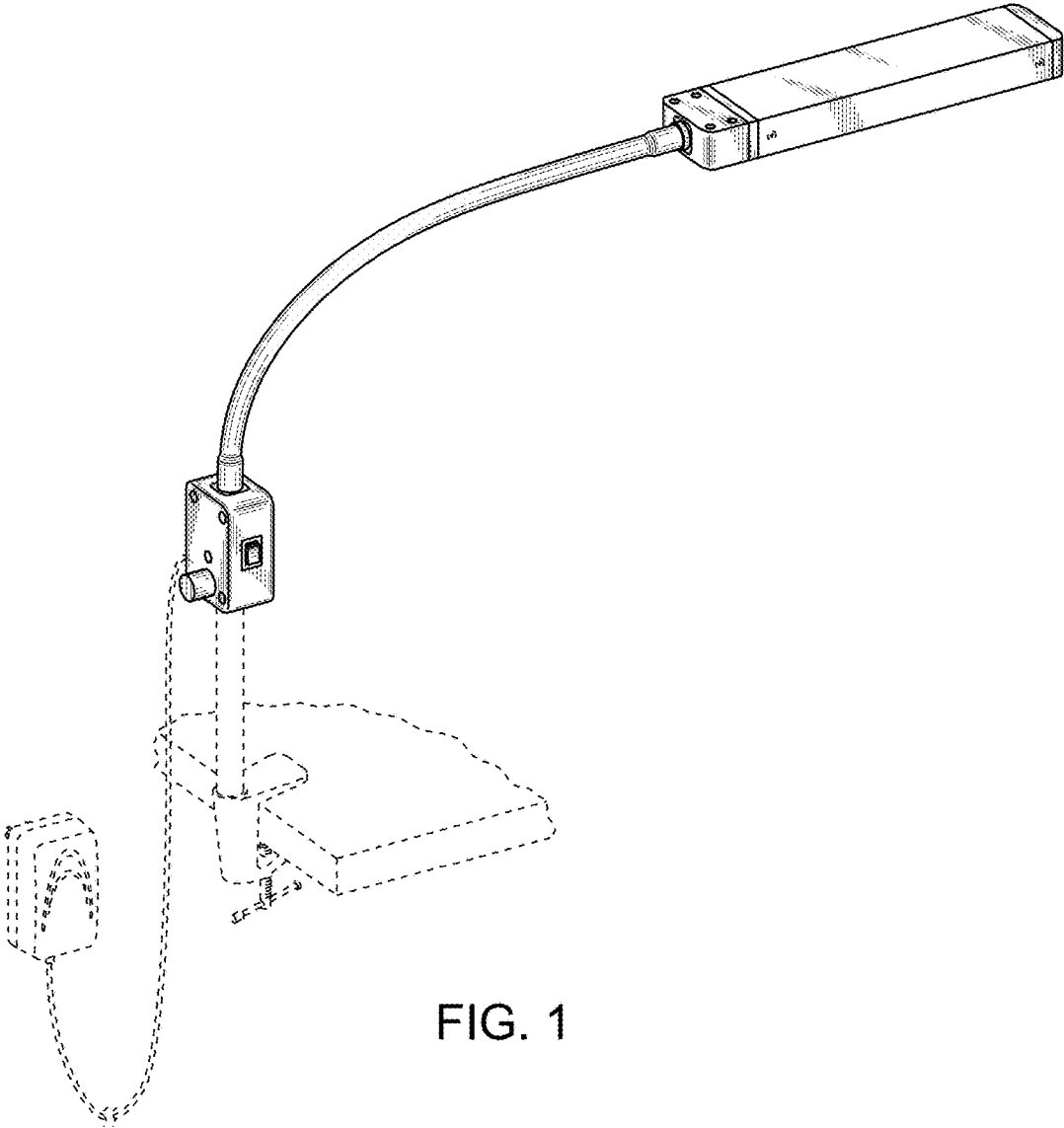


FIG. 1

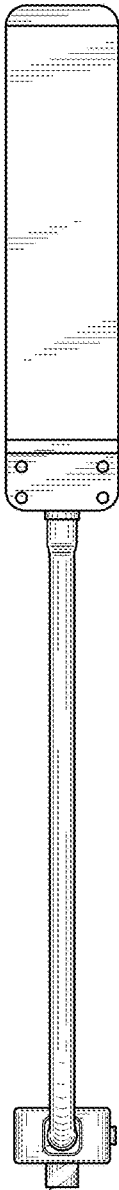


FIG. 2

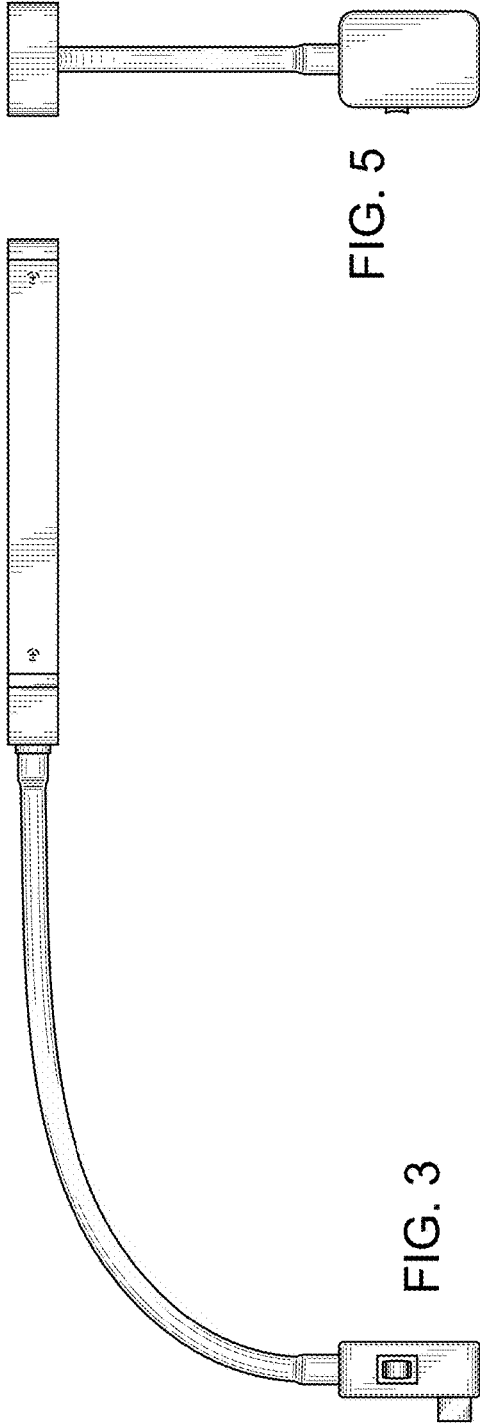


FIG. 3

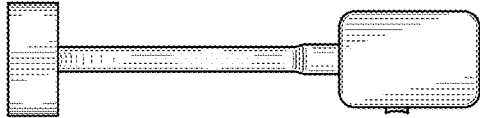


FIG. 5

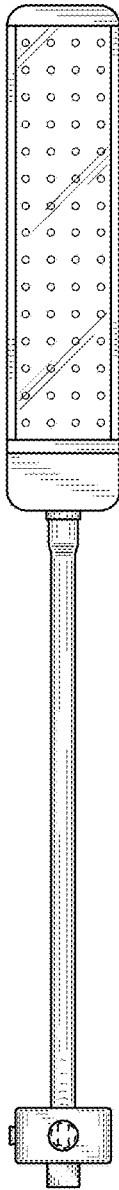


FIG. 4

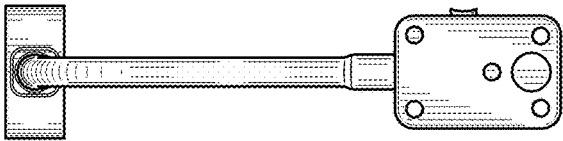


FIG. 7

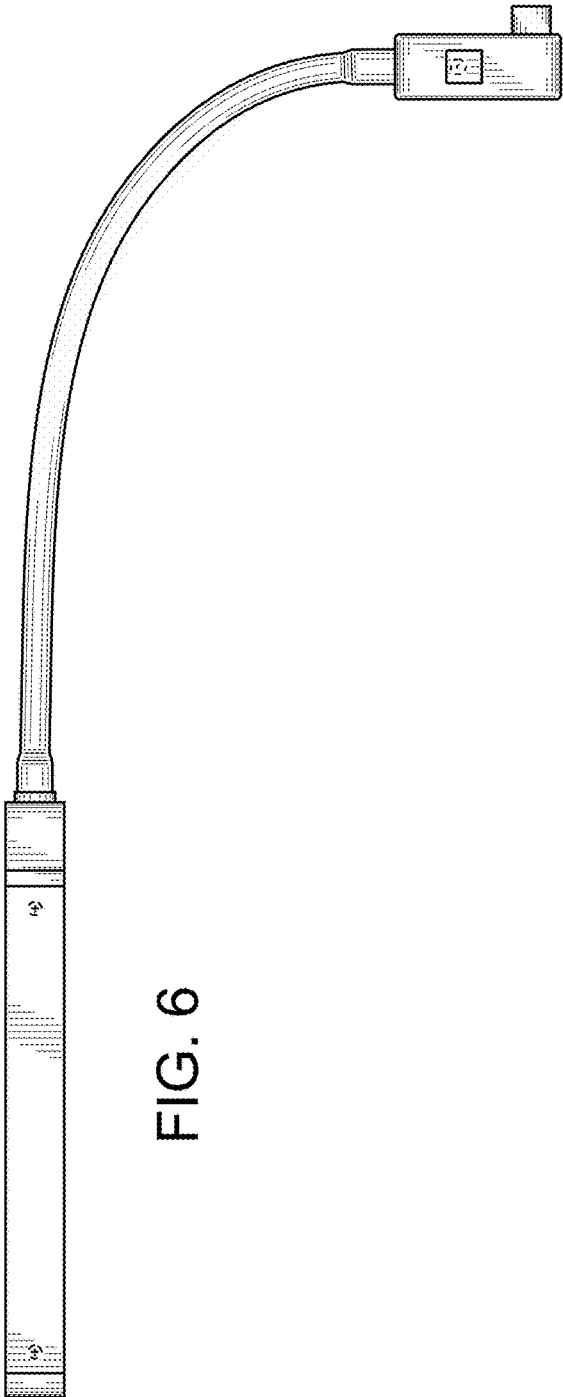


FIG. 6