



(51) International Patent Classification:
H05K 7/14 (2006.01)

(21) International Application Number:
PCT/US2019/055253

(22) International Filing Date:
08 October 2019 (08.10.2019)

(25) Filing Language: English

(26) Publication Language: English

(30) Priority Data:
62/743,455 09 October 2018 (09.10.2018) US

(71) Applicant: **UNCHARTED POWER, INC.** [US/US];
2214 Frederick Douglass Boulevard, Suite 199, New York,
NY 10026 (US).

(72) Inventors; and

(71) Applicants: **SOSA, Norma** [US/US]; 160 Riverside
Boulevard, Apartment 16 M, New York, NY 10069 (US).
BRUEGGER, Fabian [US/US]; 301 West 113th Street,
Apartment 4B, New York, NY 10026 (US). **SAMUELS,
Benjamin** [US/US]; 6 Nash Lane, Newnan, GA 30263
(US). **NETHERCOTT, Liam** [US/US]; 43 Avenue C,
Apartment 3D, New York, NY 10009 (US). **LAM, Khoa**
[VN/US]; 13 East 124th Street, Apartment 3N, New York,
NY 10035 (US). **NAVARRO, Nicholas, John** [US/US];
2285 Adam Clayton Powell, Apartment 4N, New York, NY
10030 (US).

(72) Inventors: **MATTHEWS, Jessica, O.**; 301 West 115th
Street, Penthouse 1A, New York, NY 10026 (US). **SINGH,
Parth**; 424 West 205th Street, Apartment 3C, New York,
NY 10034 (US).

(54) Title: A MODULAR SYSTEM AND METHOD FOR MONITORING AND DISTRIBUTING POWER

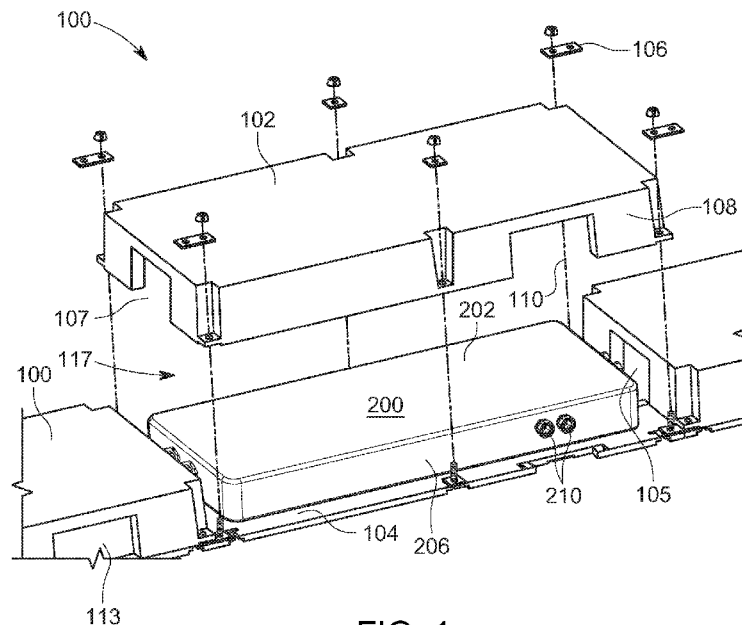


FIG. 1

(57) Abstract: The present invention discloses a plurality of modular containers. The modular containers can comprise a first container that includes a first top surface, a first bottom surface and at least one first side surface oriented between the first top and the first bottom surface. The first container can define a first internal cavity. The modular containers can also include a container system that is located in the first internal cavity. The modular containers can include a power distribution system and a data distribution system. In addition, the modular containers can include a second container. The second container can comprise a second top surface, a second bottom surface and at least one second side surface oriented between the second top and the second bottom surface. The second container can also define second internal cavity. Further, the modular containers can include a container subsystem located in the second internal cavity. The container system can also be in communication with the container subsystem.



(74) **Agent: EVANS, Andrea, H.;** The Law Firm of Andrea Hence Evans LLC, 14625 Baltimore Ave. #853, Laurel, MD 20707 (US).

(81) **Designated States** (*unless otherwise indicated, for every kind of national protection available*): AE, AG, AL, AM, AO, AT, AU, AZ, BA, BB, BG, BH, BN, BR, BW, BY, BZ, CA, CH, CL, CN, CO, CR, CU, CZ, DE, DJ, DK, DM, DO, DZ, EC, EE, EG, ES, FI, GB, GD, GE, GH, GM, GT, HN, HR, HU, ID, IL, IN, IR, IS, JO, JP, KE, KG, KH, KN, KP, KR, KW, KZ, LA, LC, LK, LR, LS, LU, LY, MA, MD, ME, MG, MK, MN, MW, MX, MY, MZ, NA, NG, NI, NO, NZ, OM, PA, PE, PG, PH, PL, PT, QA, RO, RS, RU, RW, SA, SC, SD, SE, SG, SK, SL, SM, ST, SV, SY, TH, TJ, TM, TN, TR, TT, TZ, UA, UG, US, UZ, VC, VN, ZA, ZM, ZW.

(84) **Designated States** (*unless otherwise indicated, for every kind of regional protection available*): ARIPO (BW, GH, GM, KE, LR, LS, MW, MZ, NA, RW, SD, SL, ST, SZ, TZ, UG, ZM, ZW), Eurasian (AM, AZ, BY, KG, KZ, RU, TJ, TM), European (AL, AT, BE, BG, CH, CY, CZ, DE, DK, EE, ES, FI, FR, GB, GR, HR, HU, IE, IS, IT, LT, LU, LV, MC, MK, MT, NL, NO, PL, PT, RO, RS, SE, SI, SK, SM, TR), OAPI (BF, BJ, CF, CG, CI, CM, GA, GN, GQ, GW, KM, ML, MR, NE, SN, TD, TG).

Published:

- with international search report (Art. 21(3))
- before the expiration of the time limit for amending the claims and to be republished in the event of receipt of amendments (Rule 48.2(h))

(88) **Date of publication of the international search report:**
23 July 2020 (23.07.2020)

A. CLASSIFICATION OF SUBJECT MATTER**H05K 7/14(2006.01)i**

According to International Patent Classification (IPC) or to both national classification and IPC

B. FIELDS SEARCHEDMinimum documentation searched (classification system followed by classification symbols)
H05K 7/14; G06F 1/20; G06F 19/00; H01L 31/02; H01R 43/00; H05K 5/00; H05K 7/20Documentation searched other than minimum documentation to the extent that such documents are included in the fields searched
Korean utility models and applications for utility models
Japanese utility models and applications for utility modelsElectronic data base consulted during the international search (name of data base and, where practicable, search terms used)
eKOMPASS(KIPO internal) & Keywords: decentralized, subsystem, container, data distribution system, power distribution system**C. DOCUMENTS CONSIDERED TO BE RELEVANT**

Category*	Citation of document, with indication, where appropriate, of the relevant passages	Relevant to claim No.
X	WO 2014-124049 A2 (THE BOARD OF TRUSTEES OF THE UNIVERSITY OF ILLINOIS et al.) 14 August 2014 Paragraphs 19, 258; and figure 70D.	1-5, 8, 11, 14-16
Y		6-7, 9-10, 12-13, 17-20
Y	US 2008-0221723 A1 (JE-PIL LEE) 11 September 2008 Paragraph 50; and figure 3.	6-7, 9-10, 12-13, 17-20
A	EP 2602832 B1 (SOLAREEDGE TECHNOLOGIES LTD.) 16 July 2014 Paragraphs 34-38.	1-20
A	JP 2018-032713 A (HONDA MOTOR CO., LTD.) 01 March 2018 Claims 1-4; and figures 1-3.	1-20
A	US 2015-0261265 A1 (SANDISK ENTERPRISE IP LLC) 17 September 2015 Figures 1-2D.	1-20

 Further documents are listed in the continuation of Box C. See patent family annex.

* Special categories of cited documents:

"A" document defining the general state of the art which is not considered to be of particular relevance

"D" document cited by the applicant in the international application

"E" earlier application or patent but published on or after the international filing date

"L" document which may throw doubts on priority claim(s) or which is cited to establish the publication date of another citation or other special reason (as specified)

"O" document referring to an oral disclosure, use, exhibition or other means

"P" document published prior to the international filing date but later than the priority date claimed

"T" later document published after the international filing date or priority date and not in conflict with the application but cited to understand the principle or theory underlying the invention

"X" document of particular relevance; the claimed invention cannot be considered novel or cannot be considered to involve an inventive step when the document is taken alone

"Y" document of particular relevance; the claimed invention cannot be considered to involve an inventive step when the document is combined with one or more other such documents, such combination being obvious to a person skilled in the art

"&" document member of the same patent family

Date of the actual completion of the international search

12 June 2020 (12.06.2020)

Date of mailing of the international search report

12 June 2020 (12.06.2020)

Name and mailing address of the ISA/KR

International Application Division

Korean Intellectual Property Office

189 Cheongsa-ro, Seo-gu, Daejeon, 35208, Republic of Korea

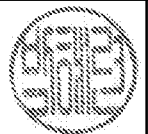


Facsimile No. +82-42-481-8578

Authorized officer

PARK, Hye Lyun

Telephone No. +82-42-481-3463



INTERNATIONAL SEARCH REPORT

Information on patent family members

International application No.

PCT/US2019/055253

Patent document cited in search report	Publication date	Patent family member(s)	Publication date
WO 2014-124049 A2	14/08/2014	CA 2900579 A1	14/08/2014
		CA 2900583 A1	14/08/2014
		CN 105324841 A	10/02/2016
		CN 105340369 A	17/02/2016
		EP 2954551 A1	16/12/2015
		EP 2954551 A4	10/05/2017
		EP 2954551 B1	04/07/2018
		EP 2954762 A2	16/12/2015
		EP 2954762 A4	14/12/2016
		JP 2016-509759 A	31/03/2016
		JP 2016-520986 A	14/07/2016
		JP 6440260 B2	19/12/2018
		KR 10-2015-0115019 A	13/10/2015
		KR 10-2015-0125946 A	10/11/2015
		US 09613911 B2	04/04/2017
		US 10192830 B2	29/01/2019
		US 10497633 B2	03/12/2019
		US 2014-0220422 A1	07/08/2014
		US 2015-0373831 A1	24/12/2015
		US 2015-0380355 A1	31/12/2015
US 2017-0365557 A1	21/12/2017		
WO 2014-124044 A1	14/08/2014		
WO 2014-124049 A3	26/02/2015		
US 2008-0221723 A1	11/09/2008	CN 101261499 A	10/09/2008
		CN 101261499 B	30/01/2013
		KR 10-0861512 B1	02/10/2008
		KR 10-2008-0081651 A	10/09/2008
		US 08060233 B2	15/11/2011
EP 2602832 B1	16/07/2014	CN 102422429 A	18/04/2012
		CN 102422429 B	06/08/2014
		CN 104104329 A	15/10/2014
		CN 104158483 A	19/11/2014
		CN 104158483 B	12/09/2017
		EP 2427915 A1	14/03/2012
		EP 2427915 B1	11/09/2013
		EP 2602831 A1	12/06/2013
		EP 2602831 B1	16/07/2014
		EP 2602832 A1	12/06/2013
		JP 2012-527767 A	08/11/2012
		US 08476524 B2	02/07/2013
		US 09006569 B2	14/04/2015
		US 09748896 B2	29/08/2017
		US 09748897 B2	29/08/2017
		US 10411644 B2	10/09/2019
		US 2010-0294528 A1	25/11/2010
US 2013-0312995 A1	28/11/2013		
US 2015-0181738 A1	25/06/2015		

INTERNATIONAL SEARCH REPORT

Information on patent family members

International application No.

PCT/US2019/055253

Patent document cited in search report	Publication date	Patent family member(s)	Publication date
		US 2016-0134234 A1	12/05/2016
		US 2018-069505 A1	08/03/2018
		US 2019-348946 A1	14/11/2019
		WO 2010-134057 A1	25/11/2010
JP 2018-032713 A	01/03/2018	JP 6441275 B2	19/12/2018
US 2015-0261265 A1	17/09/2015	CN 106104798 A	09/11/2016
		KR 10-1952488 B1	26/02/2019
		KR 10-2016-0132363 A	18/11/2016
		US 09519319 B2	13/12/2016
		WO 2015-138132 A1	17/09/2015