



US00D734793S

(12) **United States Design Patent**
Leslie

(10) **Patent No.:** **US D734,793 S**

(45) **Date of Patent:** **** Jul. 21, 2015**

(54) **CONTAINER GRIPPER**
(71) Applicant: **John M. Leslie**, Blountville, TN (US)
(72) Inventor: **John M. Leslie**, Blountville, TN (US)

5,374,091 A *	12/1994	Gore et al.	294/183
5,653,626 A *	8/1997	Gottschald et al.	451/384
5,693,113 A *	12/1997	Dries et al.	65/260
6,079,541 A *	6/2000	Bercelli et al.	198/377.03
7,860,610 B2 *	12/2010	Waldmann et al.	700/245
8,267,451 B2 *	9/2012	Pedrazzini	294/207

(**) Term: **14 Years**

* cited by examiner

(21) Appl. No.: **29/463,660**

Primary Examiner — Patricia Palasik

(22) Filed: **Feb. 1, 2014**

(57) **CLAIM**

(51) **LOC (10) Cl.** **15-09**

The ornamental design for a container gripper, as shown.

(52) **U.S. Cl.**

DESCRIPTION

USPC **D15/145**

(58) **Field of Classification Search**

USPC D15/122, 138, 145, 199
See application file for complete search history.

FIG. 1 is a perspective left hand view of a container gripper showing my new design;
FIG. 2 is a right perspective view thereof;
FIG. 3 is a top down view thereof;
FIG. 4 is a front side view thereof;
FIG. 5 is a rear view thereof;
FIG. 6 is a left hand end view thereof;
FIG. 7 is a right hand end view thereof; and,
FIG. 8 is a bottom view thereof.

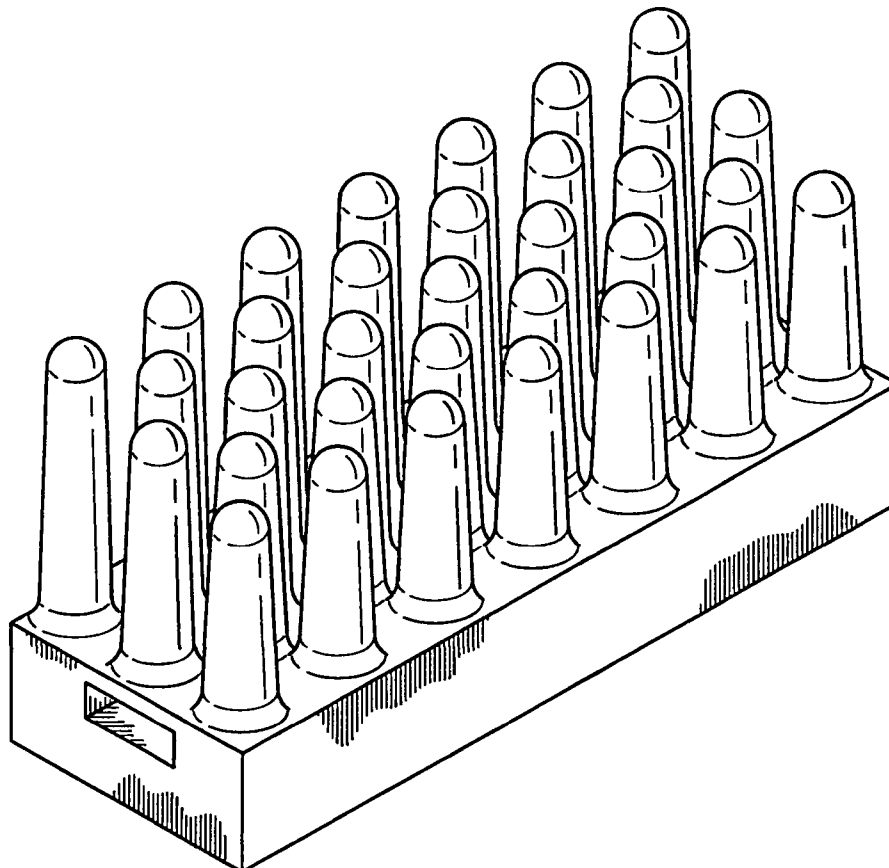
(56)

References Cited

U.S. PATENT DOCUMENTS

3,147,017 A *	9/1964	Dunham	279/3
4,577,898 A *	3/1986	Nusbaumer et al.	294/198
4,593,948 A *	6/1986	Borcea et al.	294/202
D334,701 S *	4/1993	Blatt et al.	D8/72
D345,410 S *	3/1994	Del Prete	D23/209

1 Claim, 3 Drawing Sheets



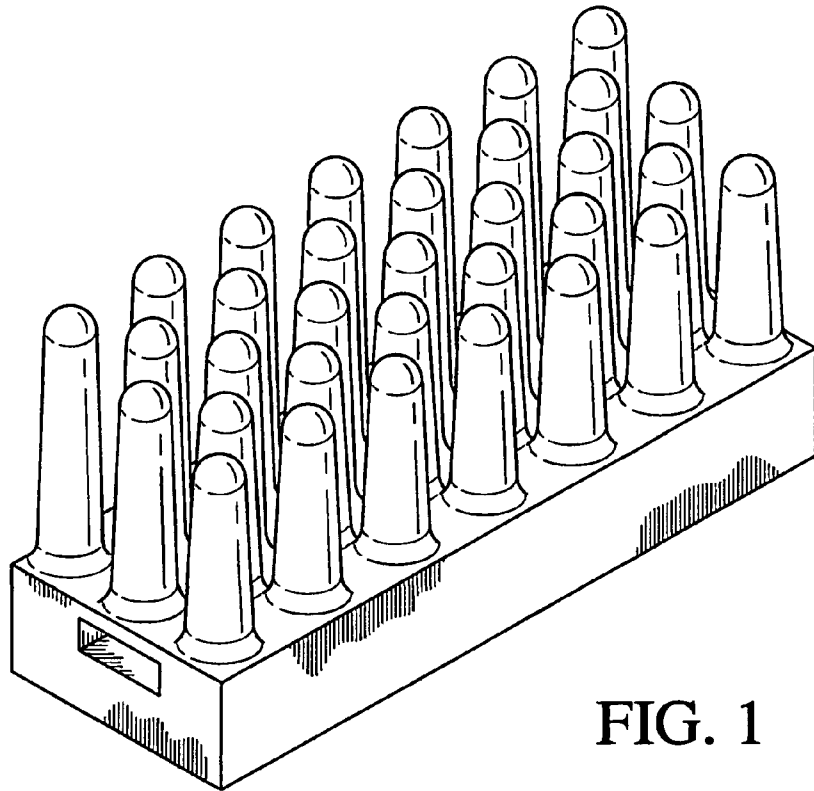


FIG. 1

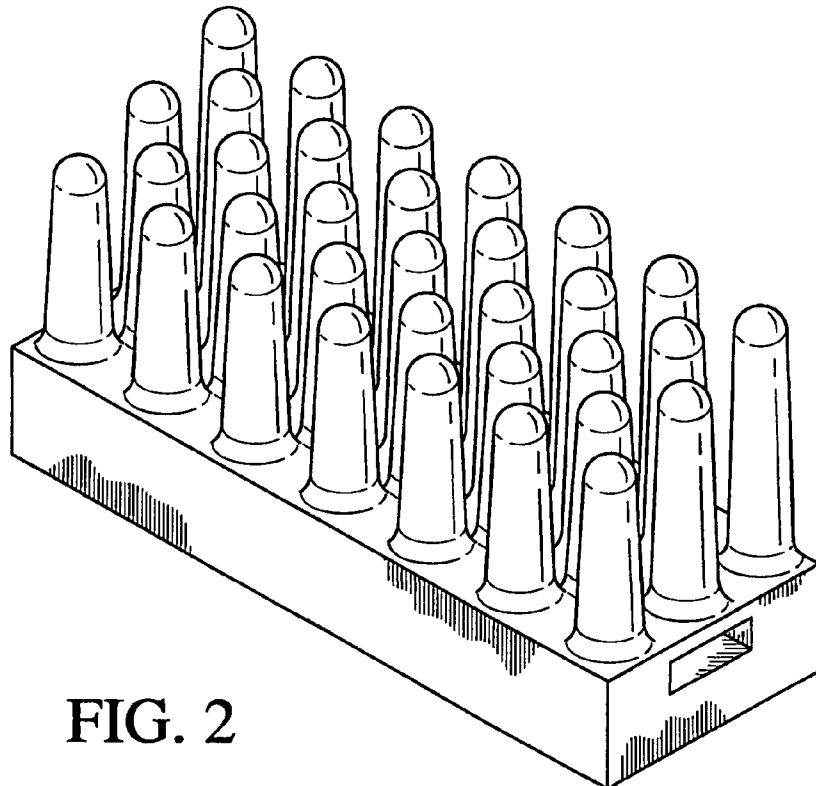


FIG. 2

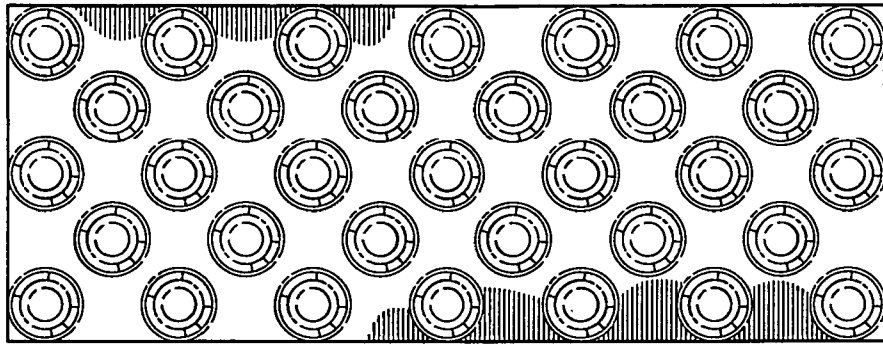


FIG. 3

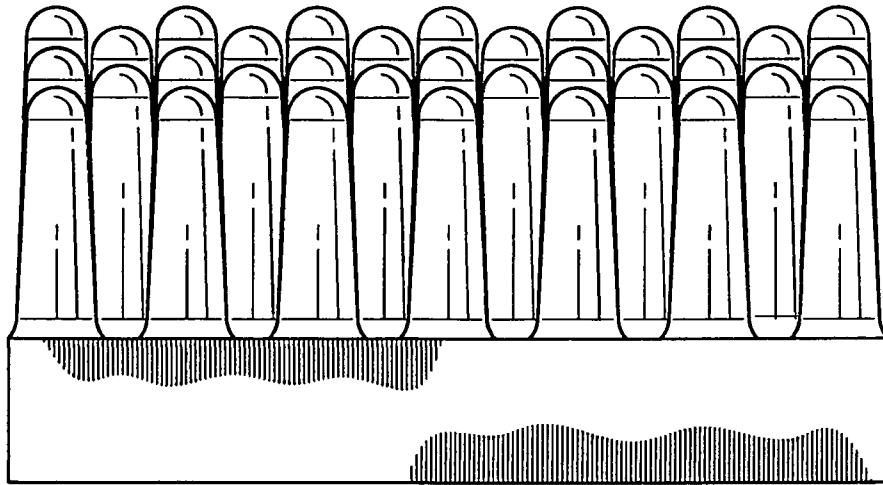


FIG. 4

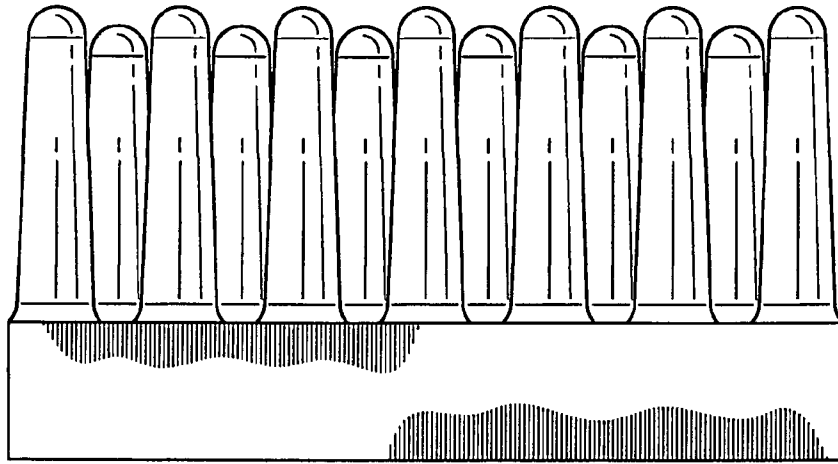


FIG. 5

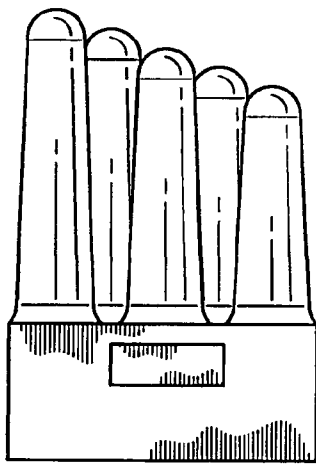


FIG. 6

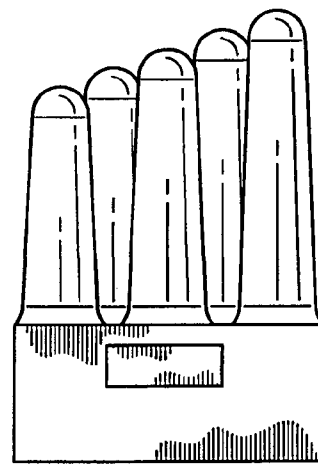


FIG. 7

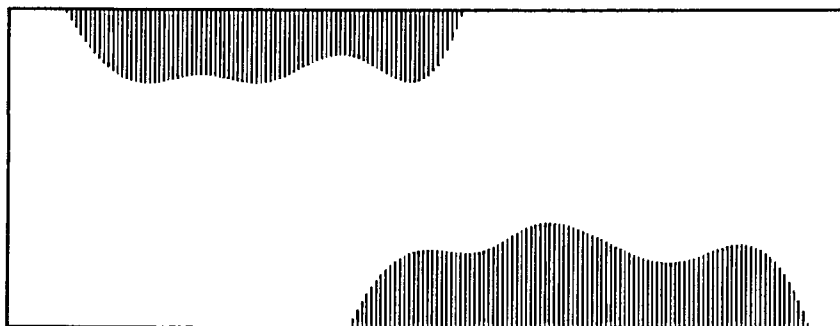


FIG. 8