



US00D901878S

(12) **United States Design Patent** (10) **Patent No.:** **US D901,878 S**  
**Ji et al.** (45) **Date of Patent:** **\*\* Nov. 17, 2020**

- (54) **DIAPER BAG BACKPACK**
- (71) Applicant: **Vianetic LLC**, Stamford, CT (US)
- (72) Inventors: **Taoli Ji**, Stamford, CT (US);  
**Sobonneth Ung**, Stamford, CT (US)
- (73) Assignee: **Vianetic, LLC**, Trumbull, CT (US)
- (\*\*) Term: **15 Years**
- (21) Appl. No.: **29/663,711**
- (22) Filed: **Sep. 18, 2018**

5,562,204 A	10/1996	Sapyta et al.	
5,564,125 A	10/1996	Waldman et al.	
5,573,166 A	11/1996	Leja	
5,611,457 A	3/1997	Ash, Jr.	
5,649,658 A	7/1997	Hoffman et al.	
5,657,917 A	8/1997	Johnson et al.	
5,673,836 A	10/1997	Bush	
5,785,219 A	7/1998	Kraft	
D409,376 S *	5/1999	Golenz .....	D3/216
6,095,389 A *	8/2000	Fenton .....	A45F 3/04 224/259
6,223,367 B1	5/2001	French et al.	

(Continued)

**Related U.S. Application Data**

- (63) Continuation-in-part of application No. 16/126,392, filed on Sep. 10, 2018, now Pat. No. 10,667,600.
- (51) **LOC (12) Cl.** ..... **03-01**
- (52) **U.S. Cl.**  
USPC ..... **D3/217**
- (58) **Field of Classification Search**  
USPC ..... D3/201, 213–219, 221, 224, 225, 229,  
D3/230, 232, 243–246, 254, 318  
CPC ..... A45F 3/04; A45F 4/02; A45F 2200/0525;  
A45F 2003/045; A45C 11/00; A45C  
13/30; A45C 2011/002; A45C 2011/003;  
A45C 2011/001; A45C 15/00  
See application file for complete search history.

**References Cited**

**U.S. PATENT DOCUMENTS**

116,874 A	7/1871	Schaefer
4,466,516 A	8/1984	Sicoli et al.
4,468,810 A	8/1984	Longo
4,810,102 A	3/1989	Norton
4,917,505 A	4/1990	Bullard et al.
4,984,906 A	1/1991	Little
5,165,111 A	11/1992	Lieberman
5,199,120 A	4/1993	Holmes
5,230,450 A	7/1993	Mahvi et al.

**OTHER PUBLICATIONS**

International Search Report and Written Opinion dated Jan. 28, 2019, for corresponding International Application No. PCT/US2018/050213.

*Primary Examiner* — Jennifer L Watkins  
(74) *Attorney, Agent, or Firm* — Athorus, PLLC

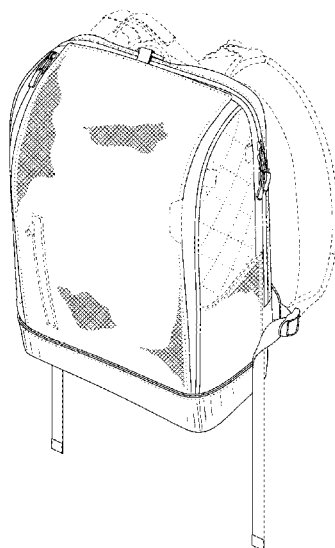
(57) **CLAIM**

The ornamental design for a diaper bag backpack, as shown and described.

**DESCRIPTION**

FIG. 1 is a front perspective view of a diaper bag backpack in accordance with the present design;  
FIG. 2 is a front view thereof;  
FIG. 3 is a back view thereof;  
FIG. 4 is a left side view thereof;  
FIG. 5 is a right side view thereof;  
FIG. 6 is a top view thereof;  
FIG. 7 is a bottom view thereof; and,  
FIG. 8 is a front perspective view thereof.  
The dotted lines depict stitching and form no part of the claimed design. The evenly dashed lines depict unclaimed portions of the diaper bag backpack and form no part of the claimed design.

**1 Claim, 8 Drawing Sheets**



(56)

References Cited

U.S. PATENT DOCUMENTS

6,243,892	B1	6/2001	Kelling		2003/0205593	A1	11/2003	Lavelle	
6,298,993	B1	10/2001	Kalozdi		2004/0155077	A1	8/2004	Cullen et al.	
D457,307	S *	5/2002	Pukall .....	D3/216	2005/0236002	A1	10/2005	Cooley	
6,493,891	B1	12/2002	Livingston		2006/0032881	A1	2/2006	Price	
D506,607	S *	6/2005	Fonfeder .....	D3/216	2006/0090975	A1	5/2006	Brock et al.	
D510,660	S *	10/2005	Suppangig .....	D3/246	2006/0105137	A1	5/2006	Kouts	
7,225,483	B1	6/2007	Remblad		2006/0283205	A1	12/2006	Carriere	
7,350,252	B2	4/2008	Telegadis et al.		2007/0113338	A1	5/2007	Remblad	
7,374,071	B2	5/2008	Lavelle		2007/0187444	A1	8/2007	Hajari	
7,735,170	B1	6/2010	Emerson		2007/0214613	A1	9/2007	Shiao	
7,761,944	B2	7/2010	Skophammer		2008/0054032	A1	3/2008	Jones	
7,797,774	B1	9/2010	Beyert		2009/0184143	A1	7/2009	Witt et al.	
D641,973	S *	7/2011	Quehl .....	D3/217	2010/0032459	A1	2/2010	Clark et al.	
7,971,764	B2 *	7/2011	Sabbah .....	A45C 13/02 224/650	2010/0059558	A1	3/2010	Robinson et al.	
8,001,803	B2	8/2011	Kanagaki		2011/0127815	A1	6/2011	Nickerson	
3,061,547	A1	11/2011	Camp, Jr.		2011/0240703	A1	10/2011	Tobin et al.	
8,151,389	B1	4/2012	Lando		2011/0314608	A1	12/2011	Rovin	
D674,183	S *	1/2013	Iacchetti .....	D3/216	2012/0031935	A1	2/2012	Cook	
8,490,230	B2	7/2013	Rovin		2012/0103480	A1	5/2012	Veleno et al.	
8,578,526	B1	11/2013	Rosso		2013/0001262	A1	1/2013	Razavi	
D699,944	S *	2/2014	Mather .....	D3/216	2013/0015217	A1	1/2013	Perez	
D713,139	S *	9/2014	Ford .....	D3/217	2013/0277407	A1 *	10/2013	Murdoch .....	A45F 3/04 224/639
9,144,290	B1	9/2015	Hall		2013/0287905	A1	10/2013	Loisel	
9,771,183	B1	9/2017	Oliver		2014/0091007	A1	4/2014	Garside	
D836,326	S *	12/2018	Skaff .....	D3/217	2015/0076182	A1	3/2015	Coleman	
D860,639	S *	9/2019	Thibadeau .....	D3/217	2015/0083764	A1	3/2015	Houston et al.	
2002/0084197	A1	7/2002	Carbonneau		2016/0242519	A1	8/2016	Calman et al.	
2003/0024960	A1	2/2003	Greenstein et al.		2017/0000243	A1	1/2017	Seuk	
2003/0042277	A1	3/2003	Gulmatico		2018/0110318	A1	4/2018	Ackerman et al.	
					2018/0206650	A1	7/2018	Kong et al.	
					2019/0178571	A1	6/2019	Kelly	

\* cited by examiner

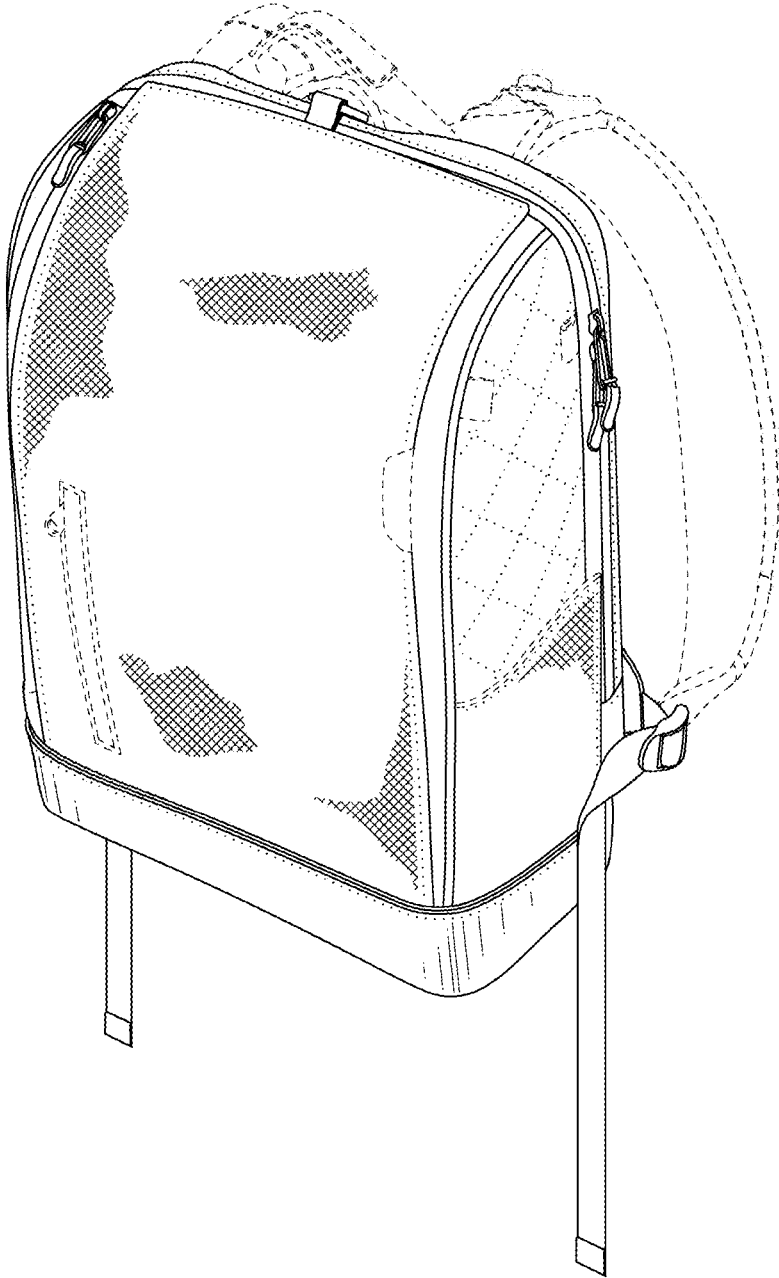


FIG. 1

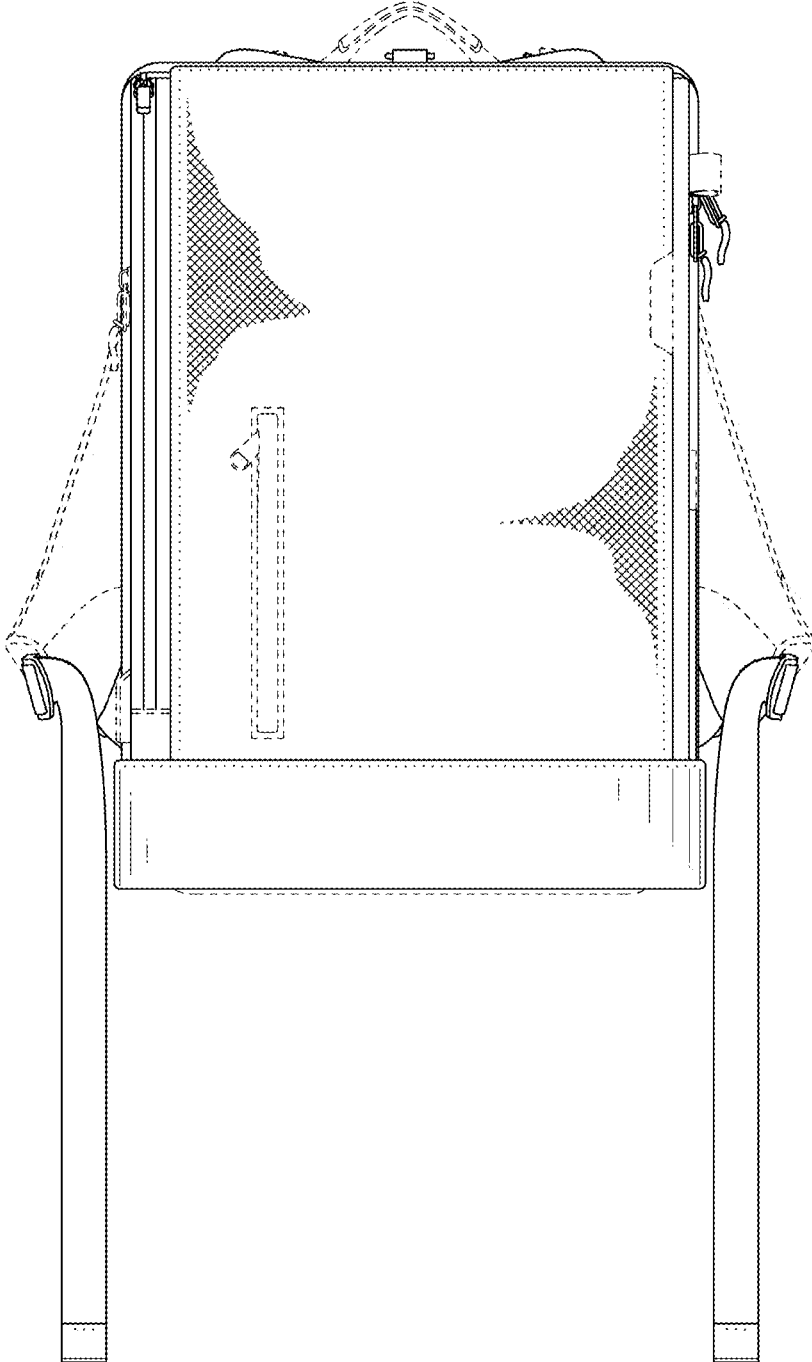


FIG. 2

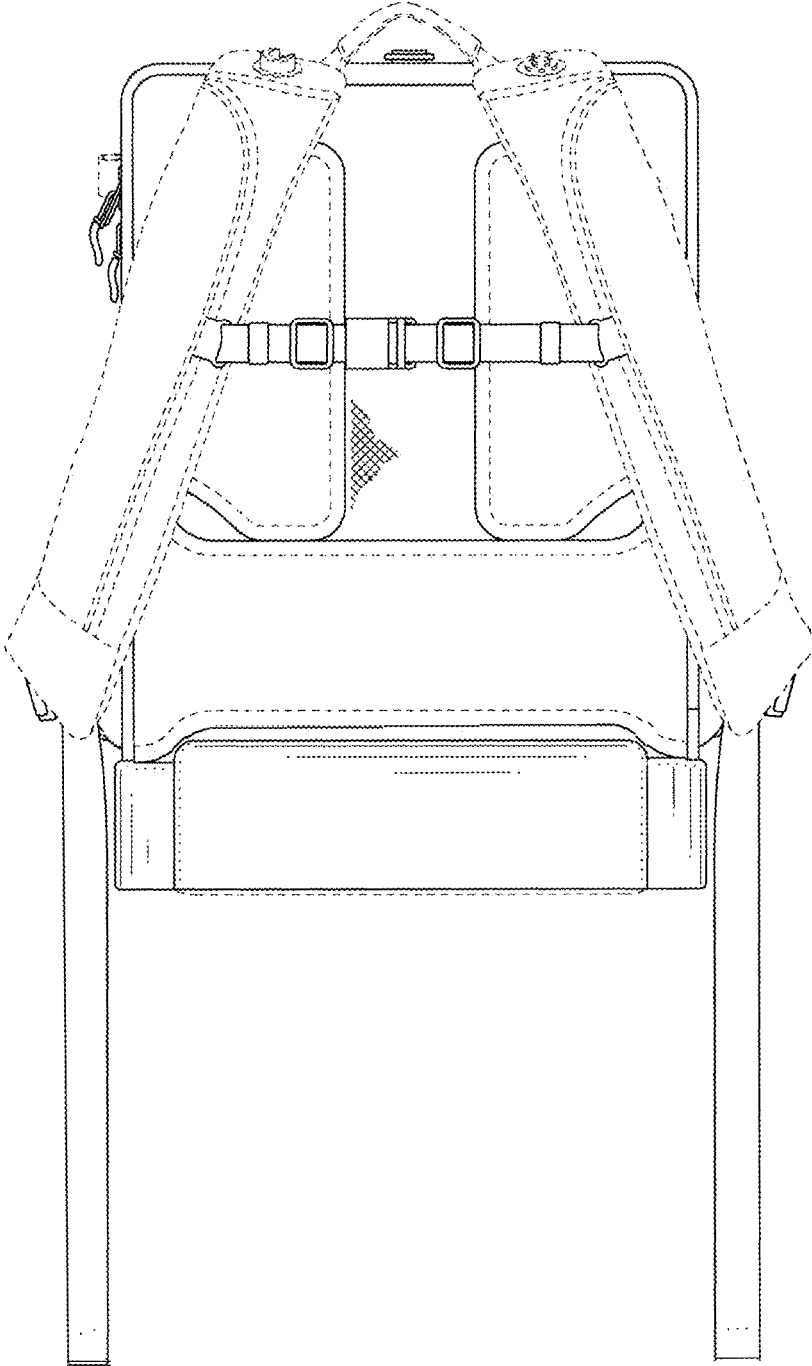


FIG.3

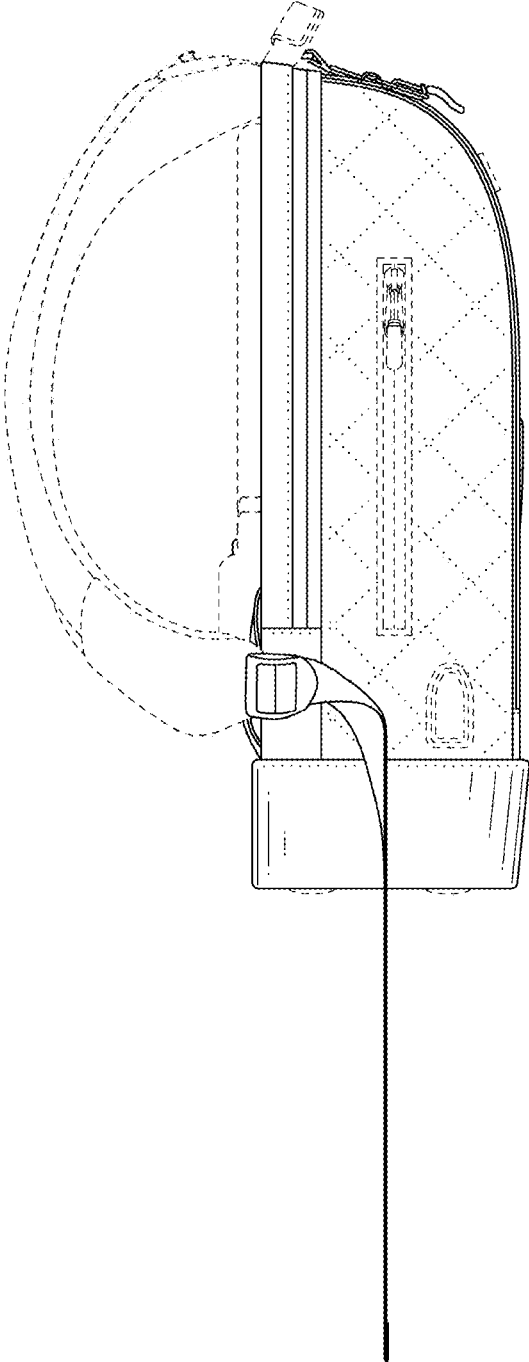


FIG.4

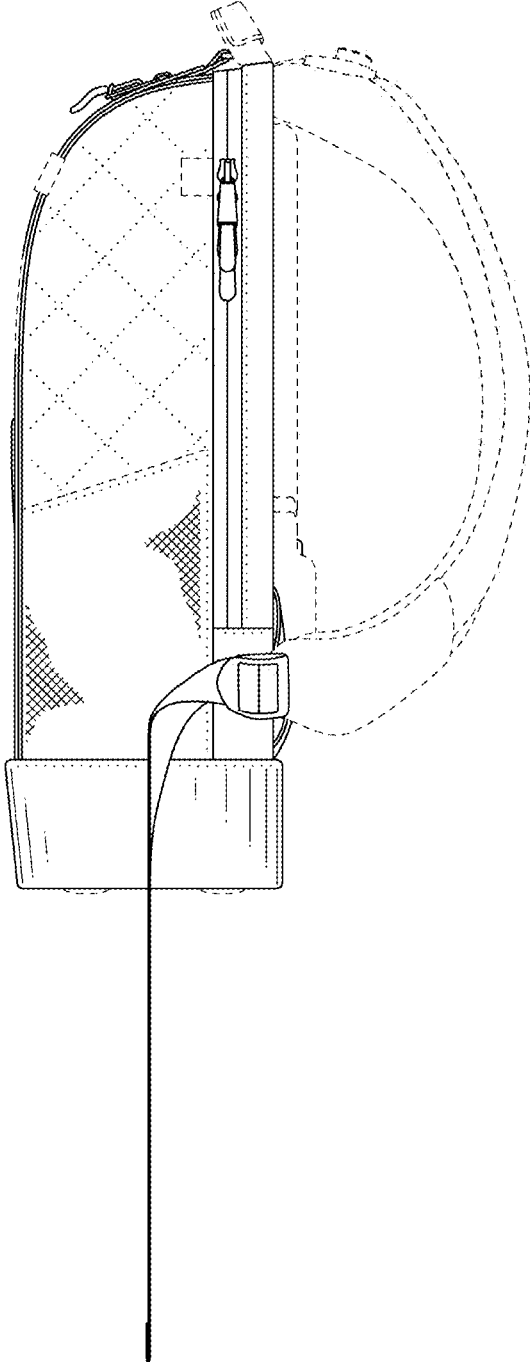


FIG.5

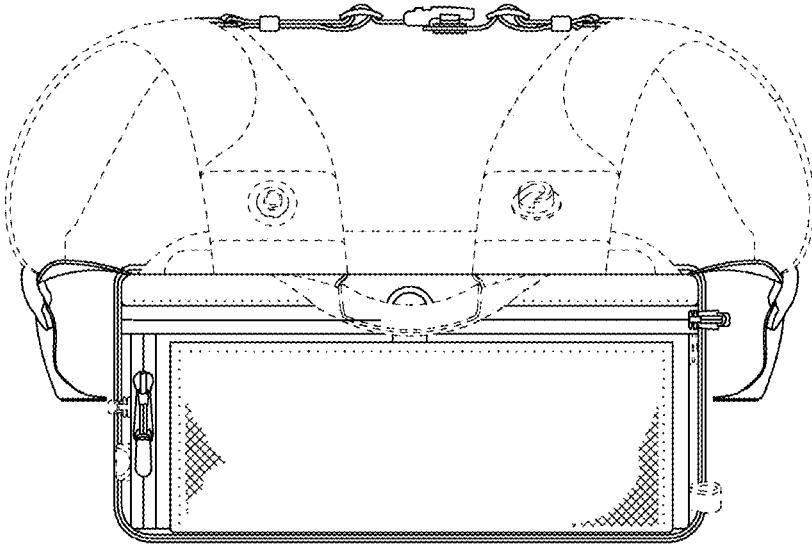


FIG.6



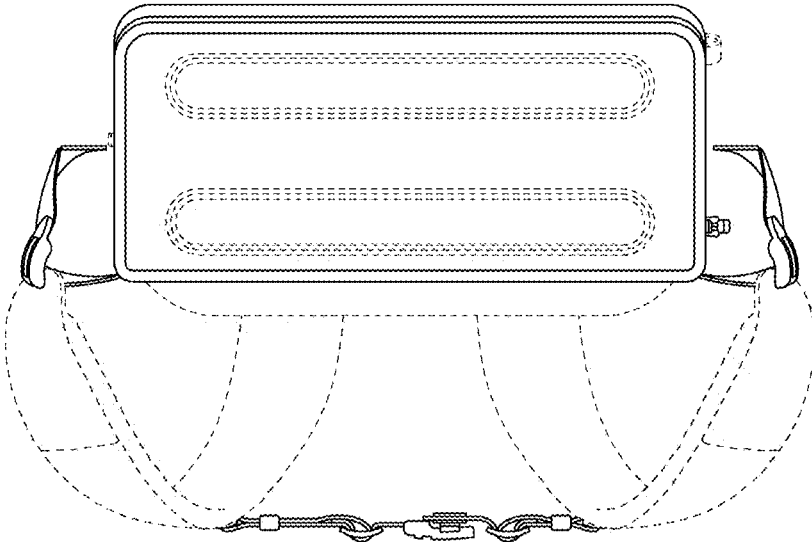


FIG.7



FIG.8