



US00D518765S

(12) **United States Design Patent**
Gabath

(10) **Patent No.:** **US D518,765 S**

(45) **Date of Patent:** **** Apr. 11, 2006**

(54) **FRONT FACE OF A VEHICLE WHEEL**

(75) Inventor: **Peter Gabath**, Jesenwang (DE)

(73) Assignee: **Bayerische Motoren Werke Aktiengesellschaft**, Munich (DE)

(**) Term: **14 Years**

(21) Appl. No.: **29/228,644**

(22) Filed: **Apr. 27, 2005**

(30) **Foreign Application Priority Data**

Oct. 28, 2004 (DE) 40406173

(51) **LOC (8) Cl.** **12-16**

(52) **U.S. Cl.** **D12/209**

(58) **Field of Classification Search** D12/204–213;
301/37.101, 64.101, 65

See application file for complete search history.

(56) **References Cited**

U.S. PATENT DOCUMENTS

- D433,374 S * 11/2000 Wang D12/209
- D460,037 S * 7/2002 Takechi D12/211
- D460,395 S * 7/2002 Kuribayashi D12/209

- D467,855 S * 12/2002 Laengerer D12/209
- D469,048 S * 1/2003 van Hooydonk D12/209
- D477,262 S * 7/2003 Koch D12/209
- D480,343 S * 10/2003 Oh D12/209
- D492,235 S * 6/2004 Nordmann D12/211
- D504,648 S * 5/2005 Pfeiffer D12/209
- D506,964 S * 7/2005 Sugiyama D12/209
- D507,517 S * 7/2005 Kushartanto D12/209

* cited by examiner

Primary Examiner—Stacia Cadmus

(74) *Attorney, Agent, or Firm*—Crowell & Moring LLP

(57) **CLAIM**

The ornamental design for a front face of a vehicle wheel, as shown and described.

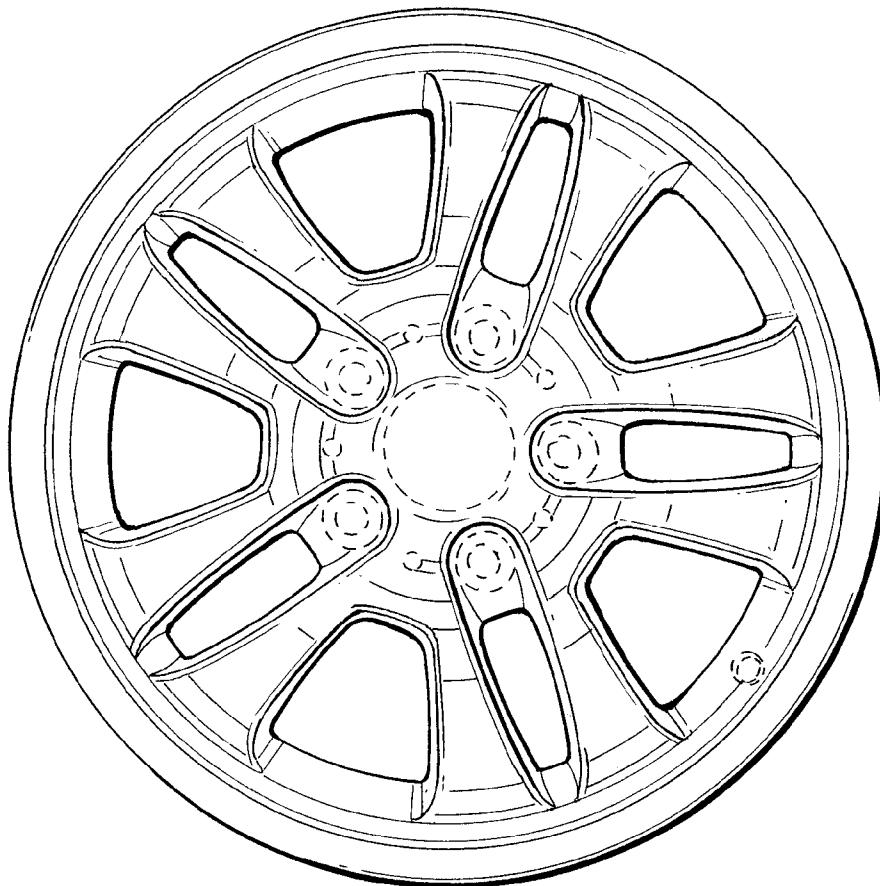
DESCRIPTION

FIG. 1 is a front view of a front face of a vehicle wheel according to my novel design; and,

FIG. 2 is a perspective view of the front face of a vehicle wheel according to my novel design.

The broken lines are for illustrative purposes only and form no part of the claimed design.

1 Claim, 1 Drawing Sheet



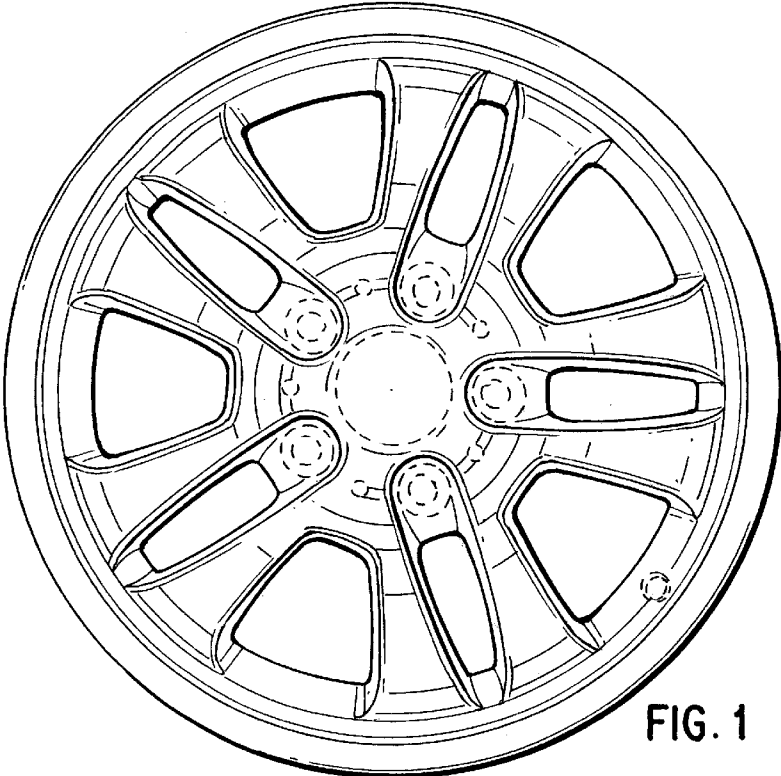


FIG. 1

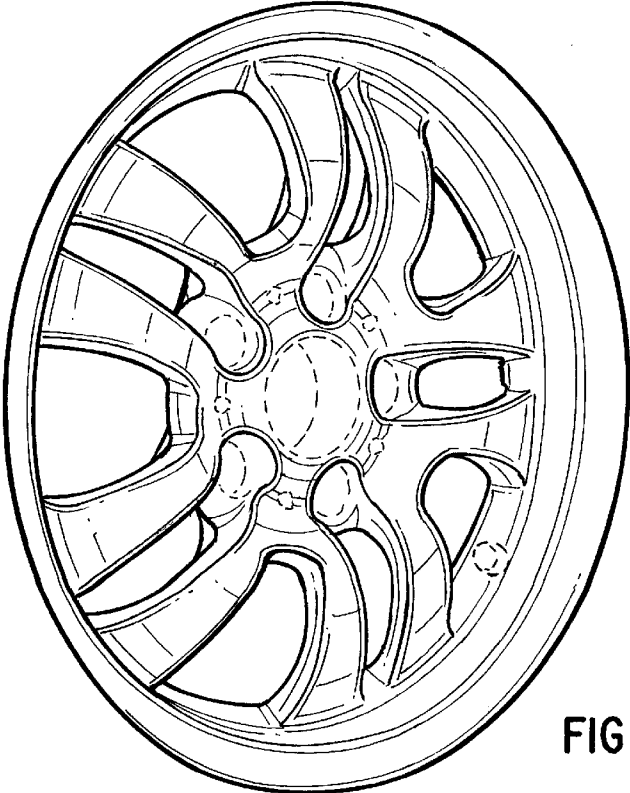


FIG. 2