



US00D756997S

(12) **United States Design Patent**
Lai et al.

(10) **Patent No.:** **US D756,997 S**

(45) **Date of Patent:** **** May 24, 2016**

(54) **TABLET PERSONAL COMPUTER**
(71) Applicant: **HON HAI PRECISION INDUSTRY CO., LTD.,** New Taipei (TW)

(72) Inventors: **Yi-Chun Lai,** New Taipei (TW);
Yu-Shuang Wang, AnQiu (CN)

(73) Assignee: **HON HAI PRECISION INDUSTRY CO., LTD.,** New Taipei (TW)

(**) Term: **14 Years**

(21) Appl. No.: **29/504,977**

(22) Filed: **Oct. 10, 2014**

(30) **Foreign Application Priority Data**

Sep. 25, 2014 (CN) 2014 3 0358234

(51) **LOC (10) Cl.** **14-02**

(52) **U.S. Cl.**
USPC **D14/341**

(58) **Field of Classification Search**
USPC D14/341-347, 137, 138 R, 138 AA,
D14/138 C, 138 G, 496, 203.1, 203.3, 203.4,
D14/203.7, 129, 130, 147, 218, 247, 248,
D14/250, 374, 371, 385, 388, 389, 315-318,
D14/420, 426, 439, 440; D21/324, 329,
D21/332; D10/104.1

CPC H04M 1/0202; H04M 1/0279; H04M
1/0281; H04M 1/0283; H04M 1/0214; H04M
1/72544; H04M 1/72552; G06F 1/1613;
G06F 1/1624; G06F 1/1626; G06F 1/165;
G06F 3/0485; G06F 3/0488

See application file for complete search history.

(56) **References Cited**

U.S. PATENT DOCUMENTS

D626,437 S * 11/2010 Lee D10/65
D627,778 S * 11/2010 Akana D14/341

D638,814 S * 5/2011 Sutherland D14/138 G
D640,663 S * 6/2011 Arnholt D14/138 G
D645,833 S * 9/2011 Seflic D14/138 G
D649,968 S * 12/2011 Li D14/341
D666,198 S * 8/2012 Van Den
Nieuwenhuizen D14/341
D667,006 S * 9/2012 Van Den
Nieuwenhuizen D14/341
D669,469 S * 10/2012 Kang D14/341
D672,344 S * 12/2012 Li D14/341
D681,632 S * 5/2013 Akana D14/341
D686,626 S * 7/2013 Tan D14/440
D696,221 S * 12/2013 Lee D14/138 G
D698,785 S * 2/2014 Canizares D14/341
D705,779 S * 5/2014 Akana D14/341
D710,349 S * 8/2014 Han D14/341
D713,367 S * 9/2014 Kim D14/138 G
D715,794 S * 10/2014 Zhou D14/341
D716,293 S * 10/2014 Hwang D14/341

* cited by examiner

Primary Examiner — George D Kirschbaum

Assistant Examiner — Clese Moore, Jr.

(74) *Attorney, Agent, or Firm* — Novak Druce Connolly
Bove + Quigg LLP

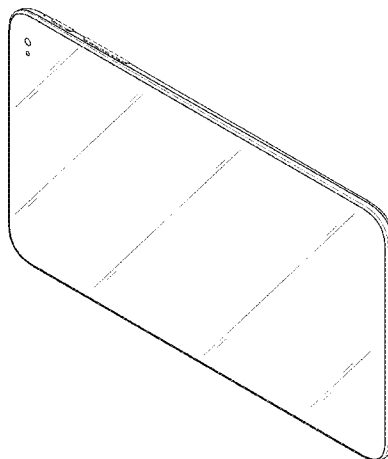
(57) **CLAIM**

The ornamental design for a tablet personal computer, as shown and described.

DESCRIPTION

FIG. 1 is a perspective view of a tablet personal computer;
FIG. 2 is a front elevational view thereof;
FIG. 3 is a rear elevational view thereof;
FIG. 4 is a left side elevational view thereof;
FIG. 5 is a right side elevational view thereof;
FIG. 6 is a top plan view thereof; and,
FIG. 7 is a bottom plan view thereof.
The broken lines illustrate portions of the tablet personal computer and forms no part of the claimed design.

1 Claim, 7 Drawing Sheets



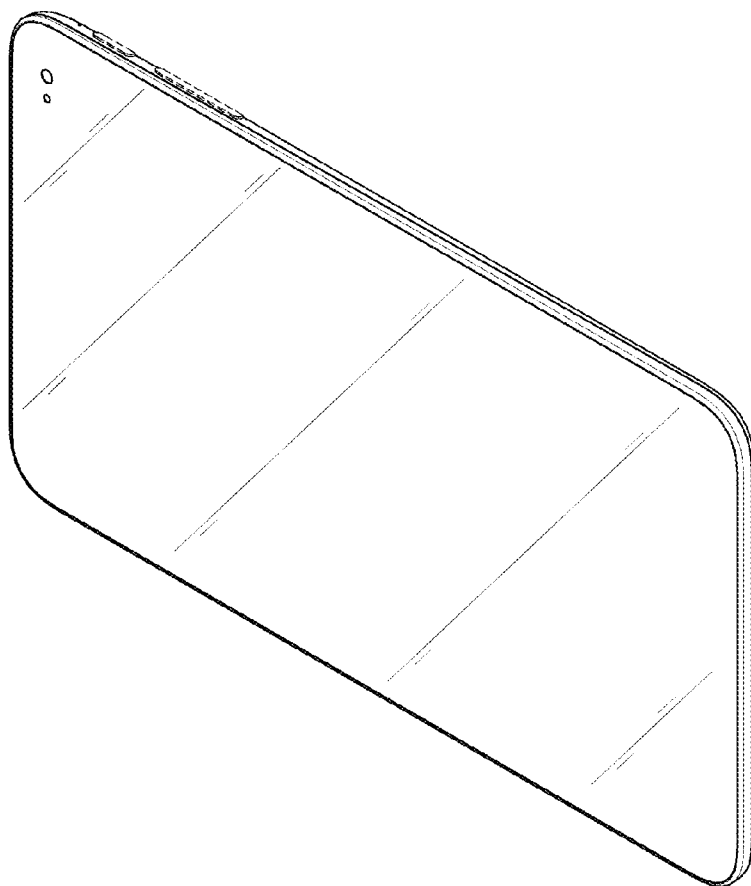


FIG. 1

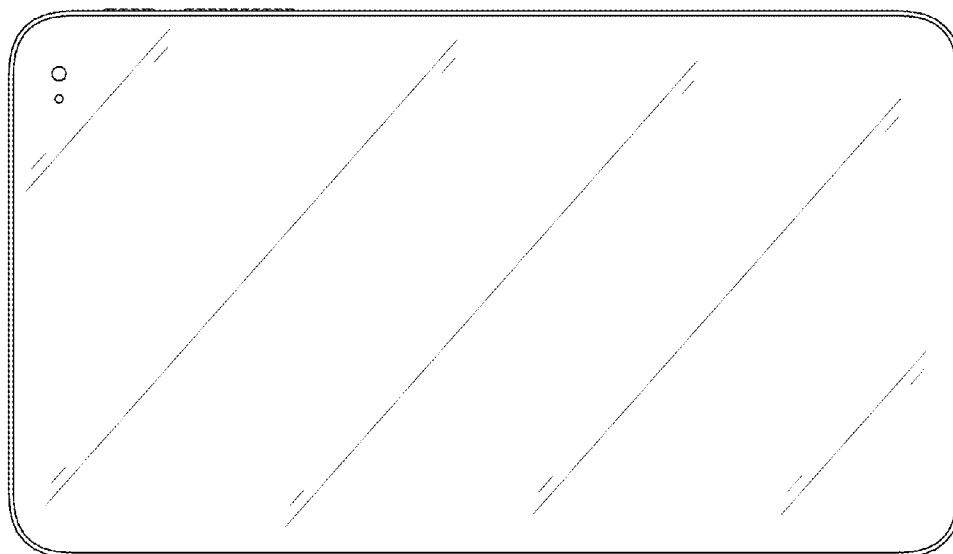


FIG. 2

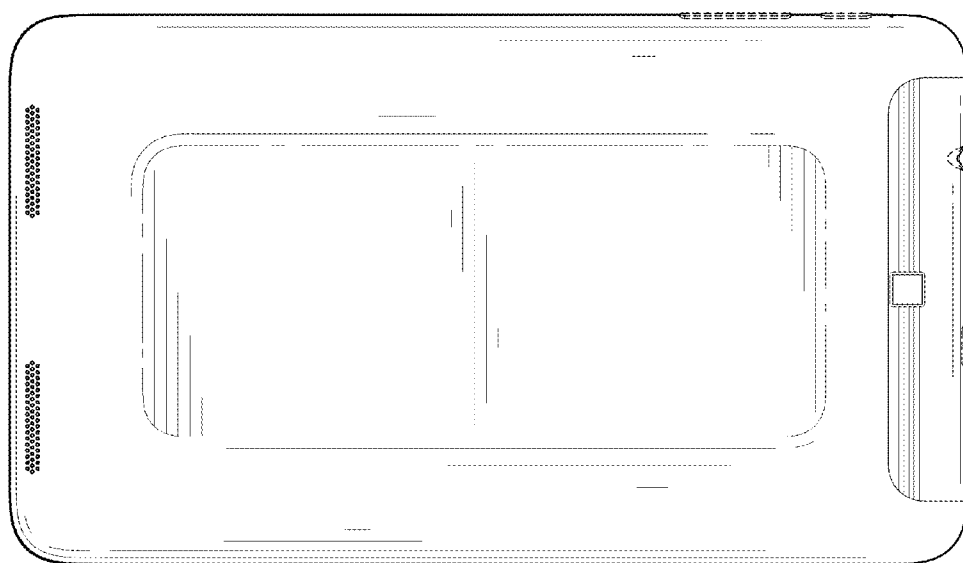


FIG. 3



FIG. 4

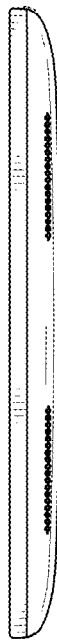


FIG. 5

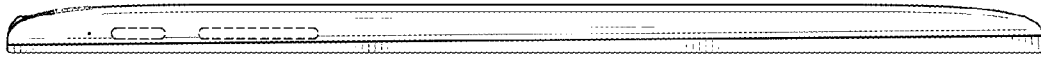


FIG. 6

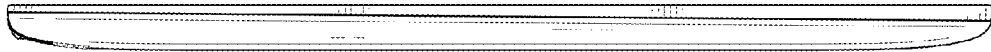


FIG. 7