



US00D351869S

# United States Patent [19]

[11] Patent Number: Des. 351,869

Rothschild et al.

[45] Date of Patent: \*\* Oct. 25, 1994

[54] VIDEO GAME CABINET

[56] References Cited

[75] Inventors: **Wayne H. Rothschild**, Wheeling;  
**Gregory J. Tastad**, Stone Park;  
**Herbert H. Hausmann**, Lincolnshire,  
all of Ill.; **Robin H. Seaver**,  
Walworth, Wis.; **Adam Rhine**,  
Skokie; **William Stringfellow**,  
Roselle, both of Ill.

### U.S. PATENT DOCUMENTS

D. 281,085 10/1985 Smyth ..... D21/37  
D. 344,296 2/1994 McKay et al. .... D21/37

*Primary Examiner*—Terry A. Wallace  
*Attorney, Agent, or Firm*—Rockey, Rifkin and Ryther

[73] Assignee: **WMS Gaming, Inc.**, Chicago, Ill.

### [57] CLAIM

The ornamental design for a video game cabinet, as shown and described.

[\*\*] Term: **14 Years**

### DESCRIPTION

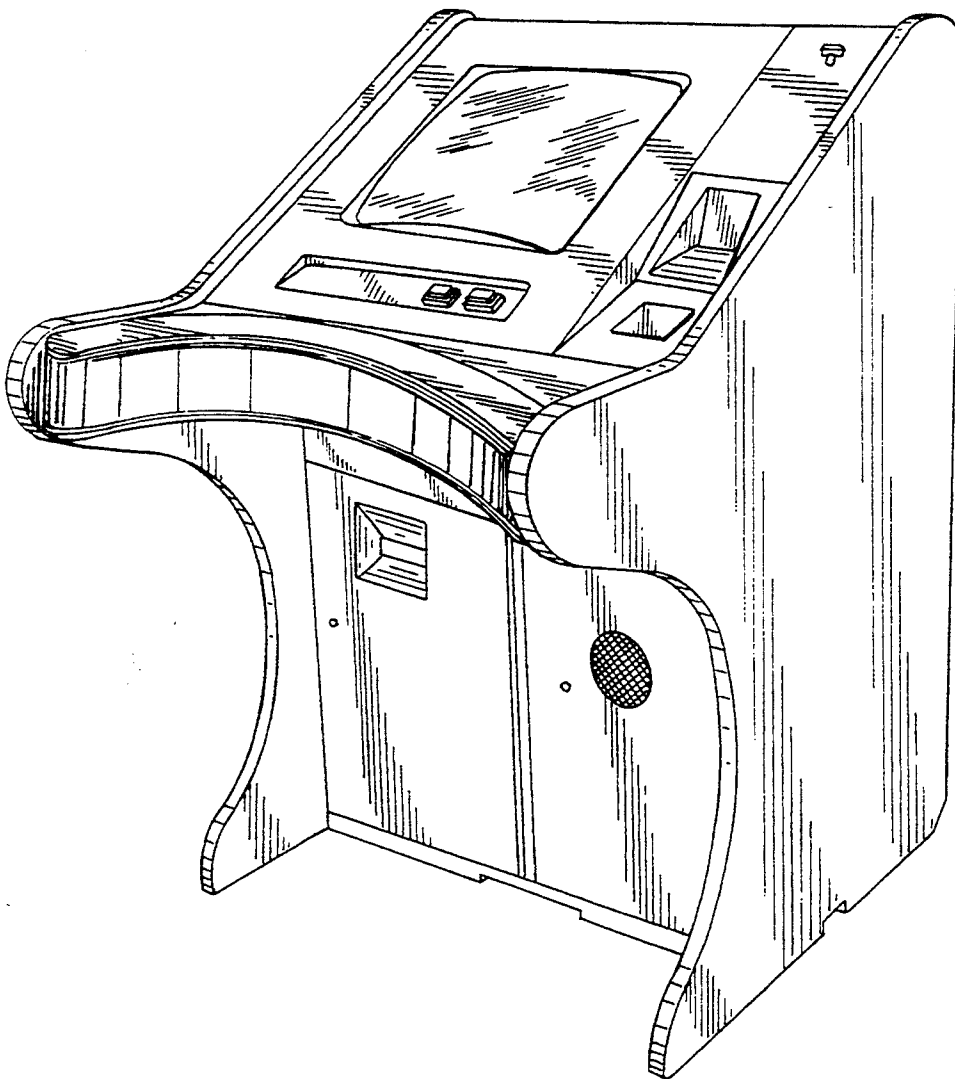
[21] Appl. No.: **13,099**

FIG. 1 is a perspective view of a video game cabinet showing our new design;  
FIG. 2 is a side elevational view thereof;  
FIG. 3 is a front elevational view thereof;  
FIG. 4 is a top plan view thereof;  
FIG. 5 is a bottom plan view thereof; and,  
FIG. 6 is a rear elevational view thereof.

[22] Filed: **Sep. 17, 1993**

[52] U.S. Cl. .... **D21/37**

[58] Field of Search ..... 273/138 A, 138 R, 142 R,  
273/143 R; D21/37-38, 1, 13, 48



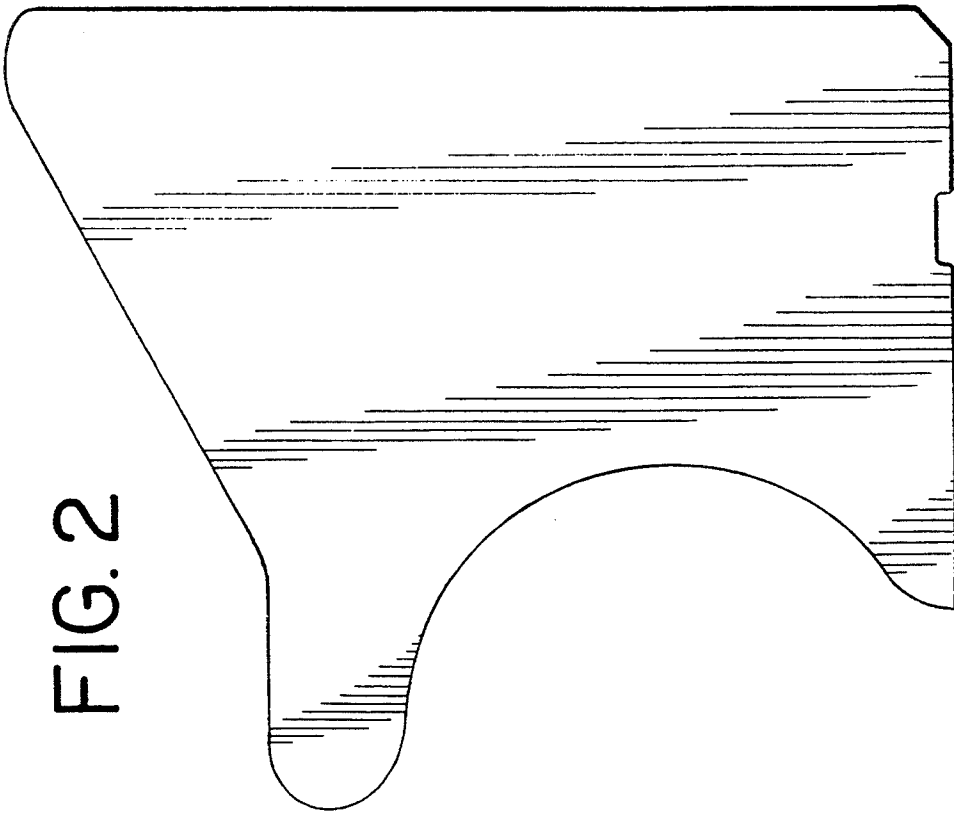


FIG. 2

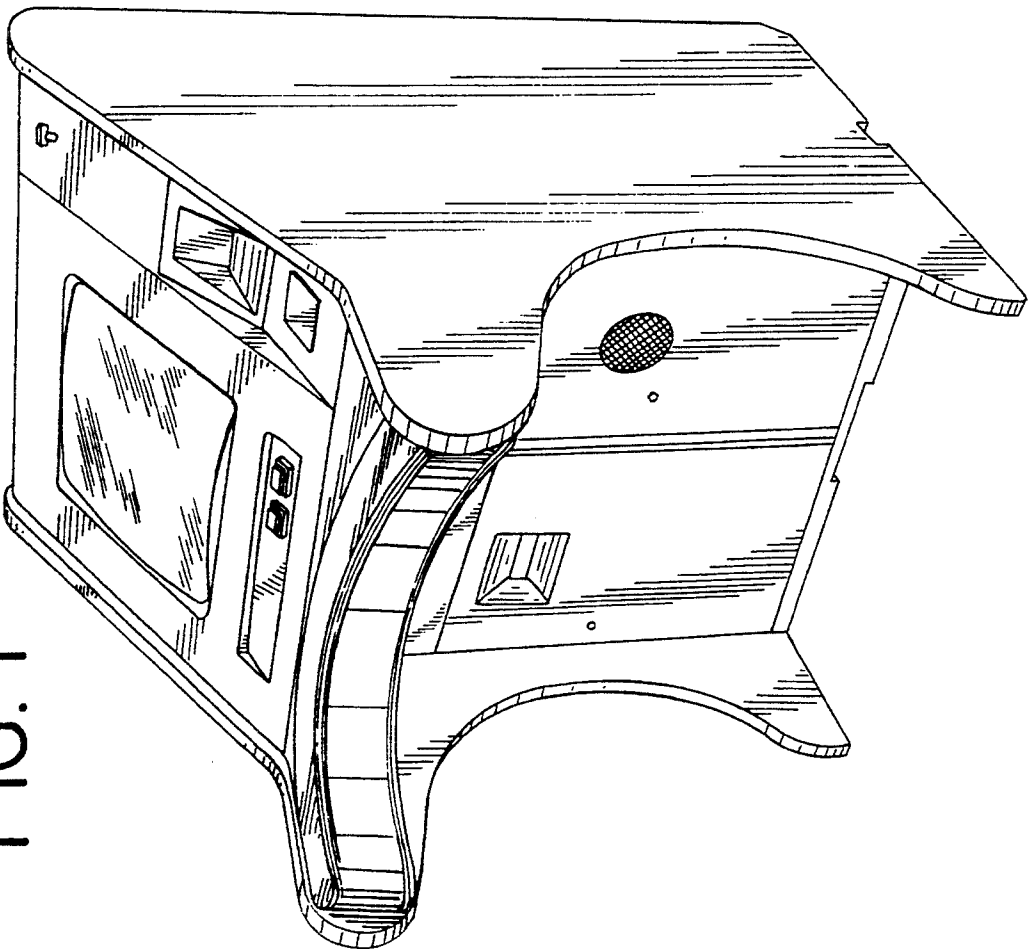


FIG. 1

FIG. 4

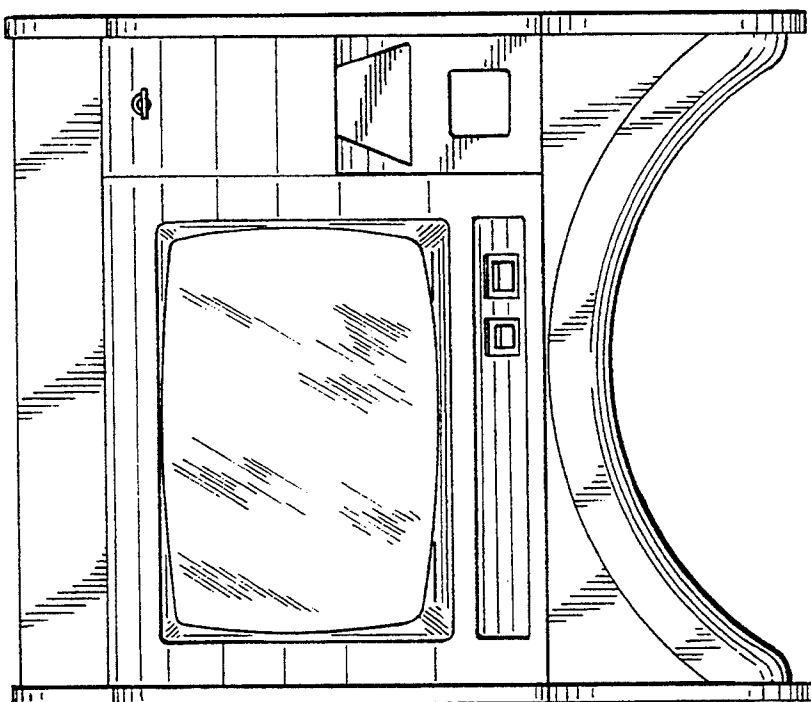


FIG. 3

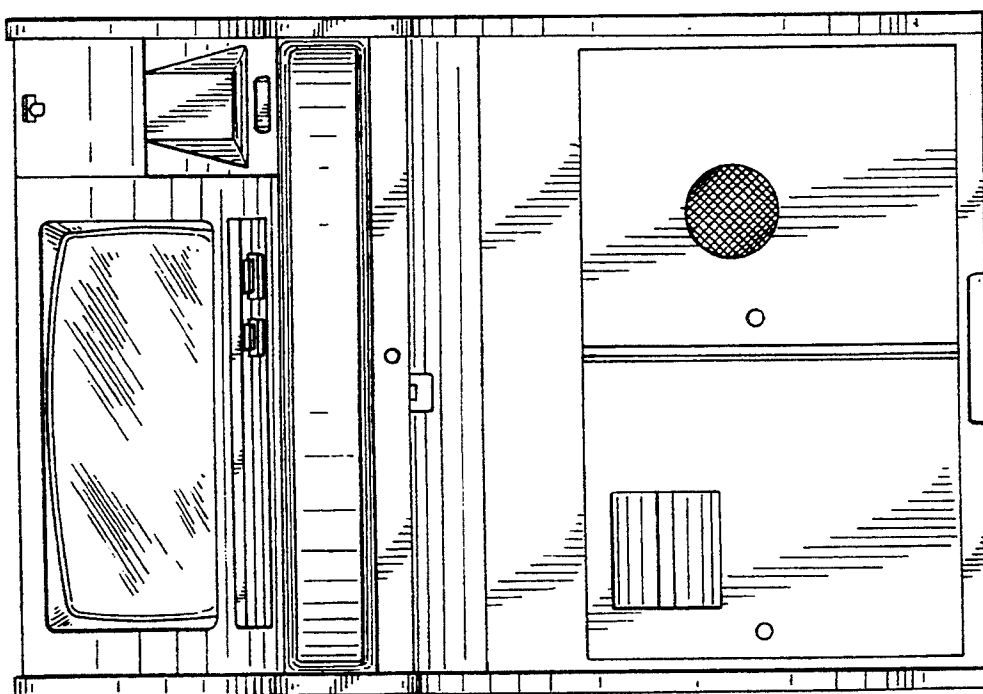


FIG. 6

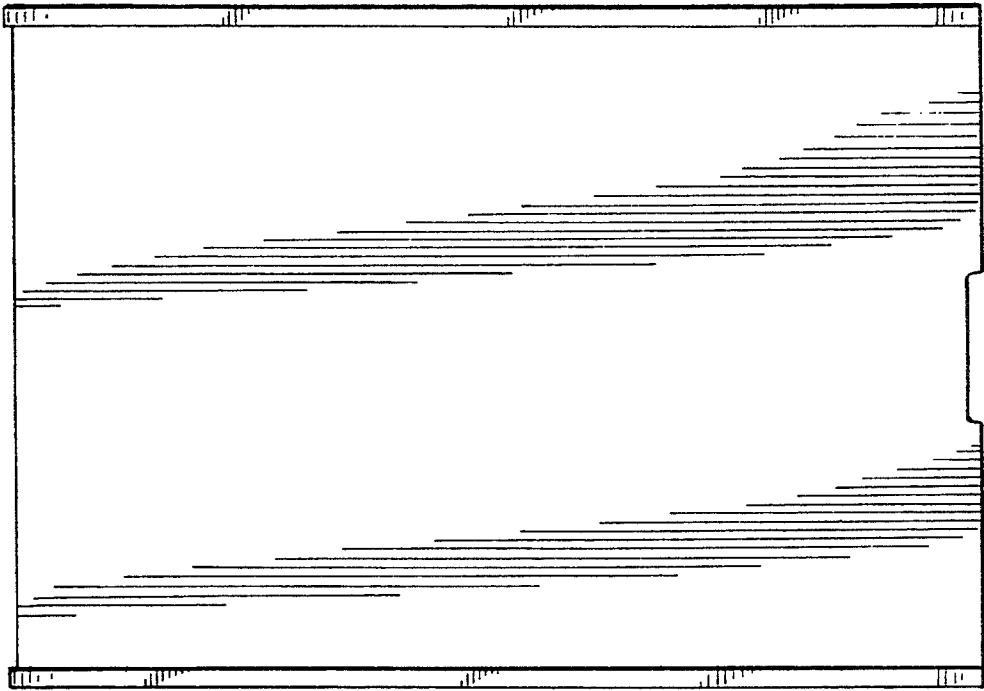


FIG. 5

