



US00D607817S

(12) **United States Design Patent**
Tan

(10) **Patent No.:** **US D607,817 S**

(45) **Date of Patent:** **** Jan. 12, 2010**

(54) **PHONE HOLDER AND CHARGER**

(75) Inventor: **Qing Song Tan**, Shenzhen (CN)

(73) Assignee: **Teleway Industrial Ltd.**, Shenzhen (CN)

(**) Term: **14 Years**

(21) Appl. No.: **29/338,343**

(22) Filed: **Jun. 9, 2009**

(51) **LOC (9) Cl.** **13-02**

(52) **U.S. Cl.** **D13/108**

(58) **Field of Classification Search** D13/102–103,
D13/107–110, 118–119, 133, 144, 184; D14/251,
D14/253, 432, 434; 320/107–115
See application file for complete search history.

(56) **References Cited**

U.S. PATENT DOCUMENTS

D460,761 S *	7/2002	Croley	D14/434
D486,492 S *	2/2004	Sheu et al.	D14/434
D506,493 S *	6/2005	Naito	D16/237
D520,013 S *	5/2006	Yang	D14/434
D584,732 S *	1/2009	Cho et al.	D14/434
2009/0051319 A1 *	2/2009	Fang et al.	320/115

* cited by examiner

Primary Examiner—Rosemary K Tarcza

(74) Attorney, Agent, or Firm—Christie, Parker & Hale, LLP.

(57) **CLAIM**

The ornamental design for phone holder and charger, as shown and described.

DESCRIPTION

FIG. 1 is front top right perspective view of the phone holder and charger of the invention in its closed configuration.

FIG. 2 is a top view thereof.

FIG. 3 is a bottom view thereof.

FIG. 4 is a right side view thereof.

FIG. 5 is a left side view thereof.

FIG. 6 is a front end view thereof.

FIG. 7 is a rear end view thereof.

FIG. 8 is a front top right perspective view of the phone holder and charger of the invention in a tilt back opened configuration.

FIG. 9 is a rear end view thereof.

FIG. 10 is a right side view thereof.

FIG. 11 is a front end view thereof.

FIG. 12 is a left side view thereof.

FIG. 13 is a top view thereof.

FIG. 14 is a bottom view thereof; and,

FIG. 15 is a front top right perspective view of the phone holder and charger of the invention in a fully opened configuration.

The broken lines shown in the drawings are included for the purpose of illustrating environmental structure and form no part of the claimed design.

1 Claim, 13 Drawing Sheets

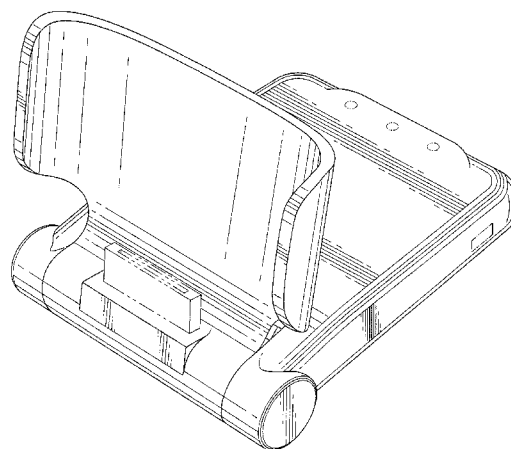
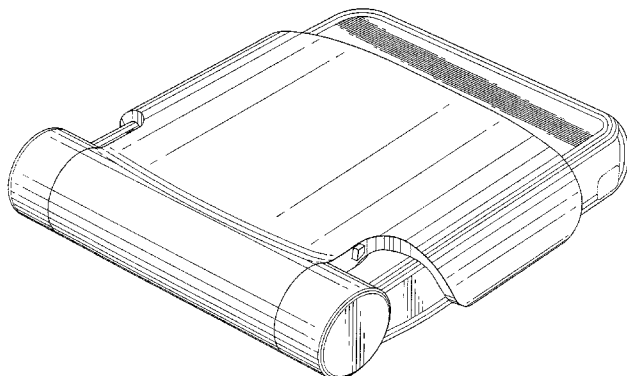


FIG. 1

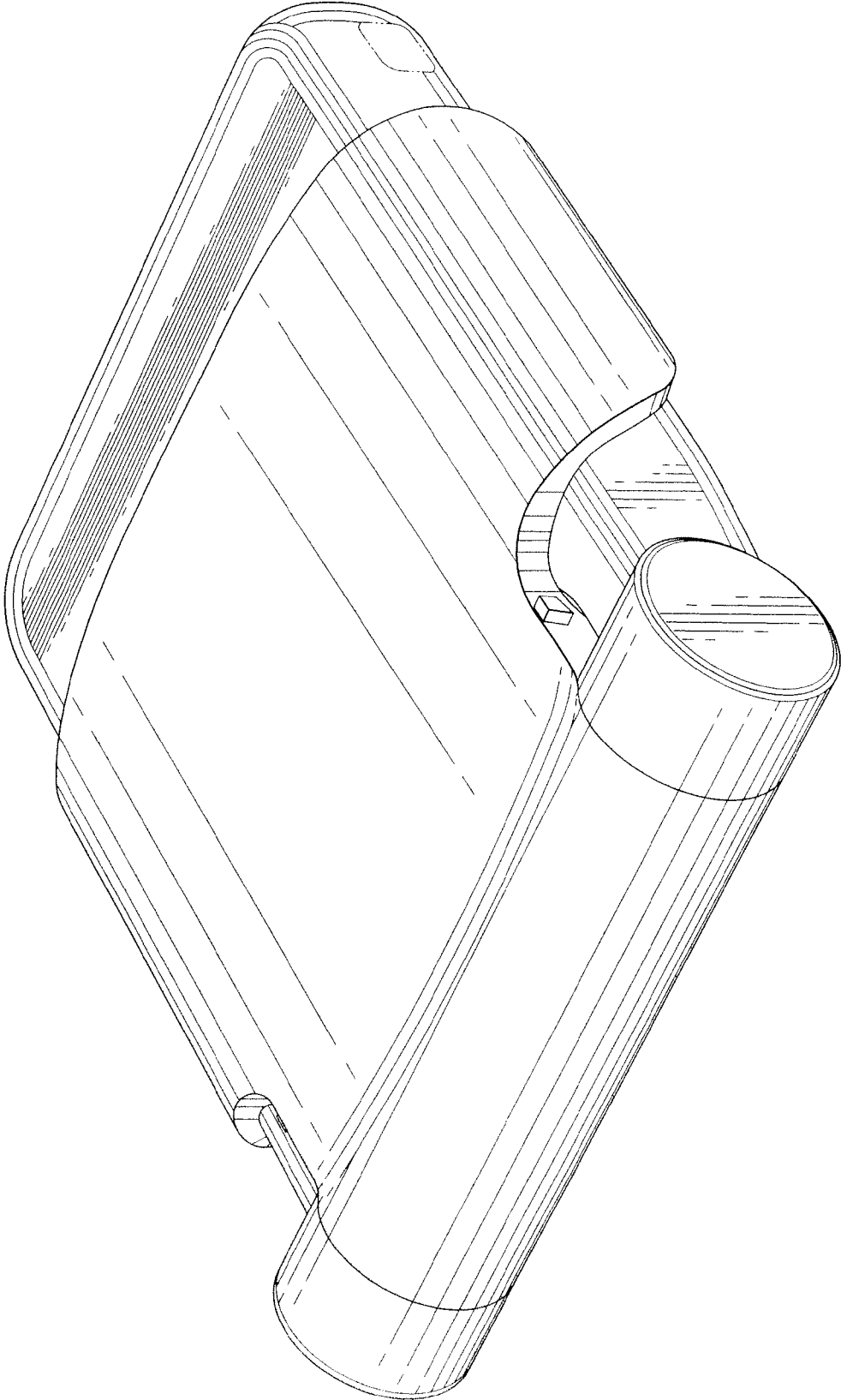


FIG. 2

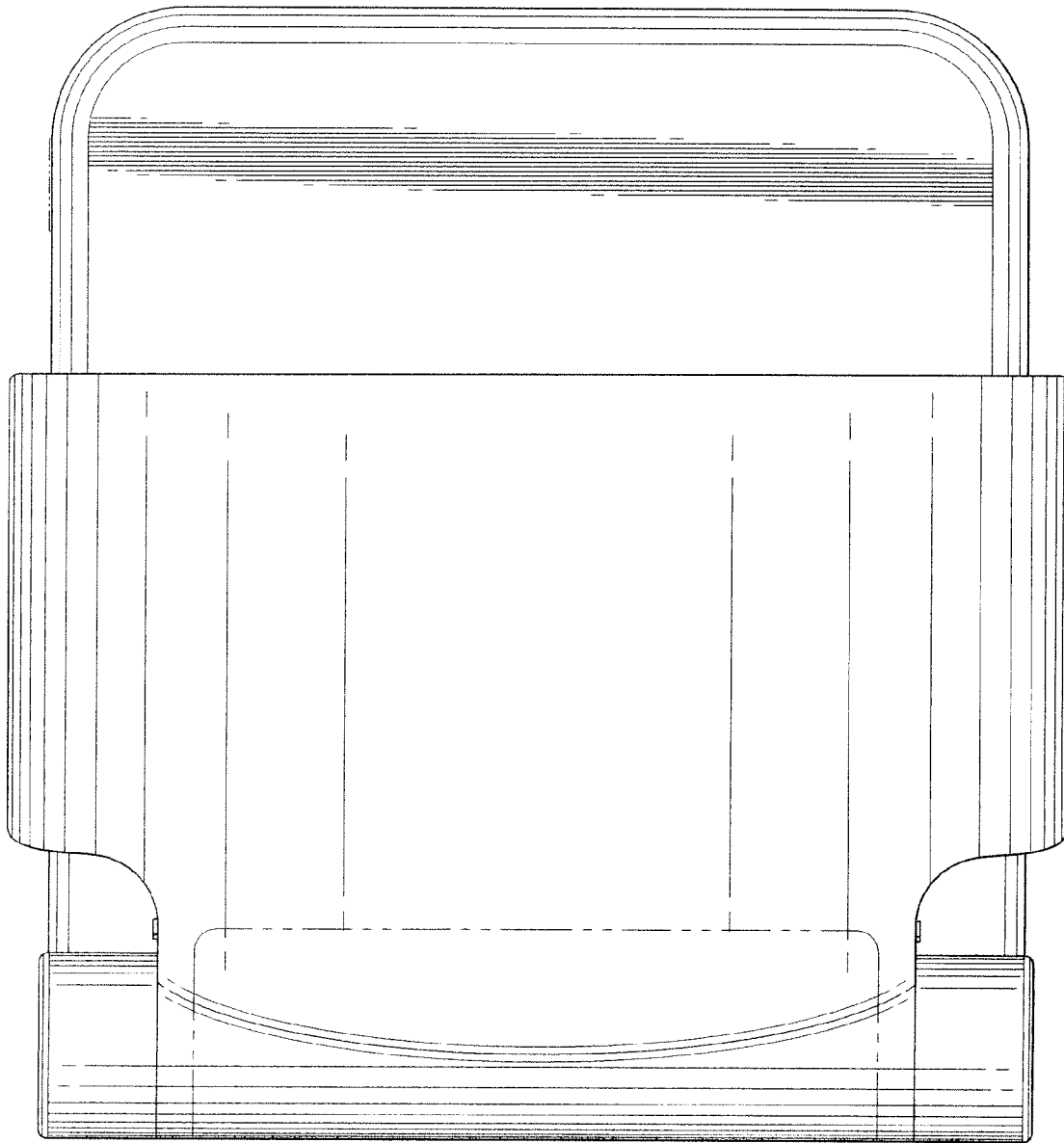


FIG. 3

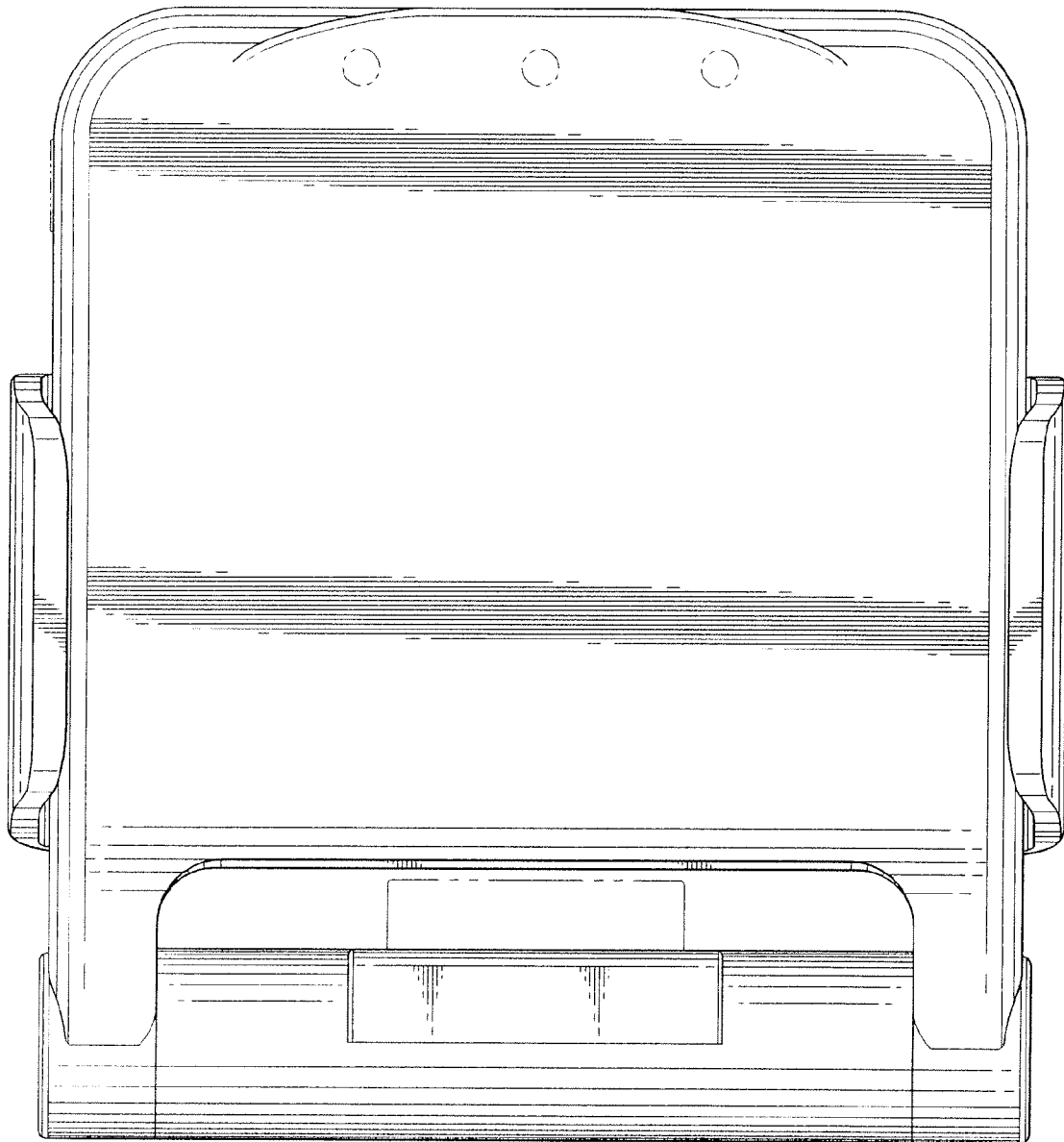


FIG. 4

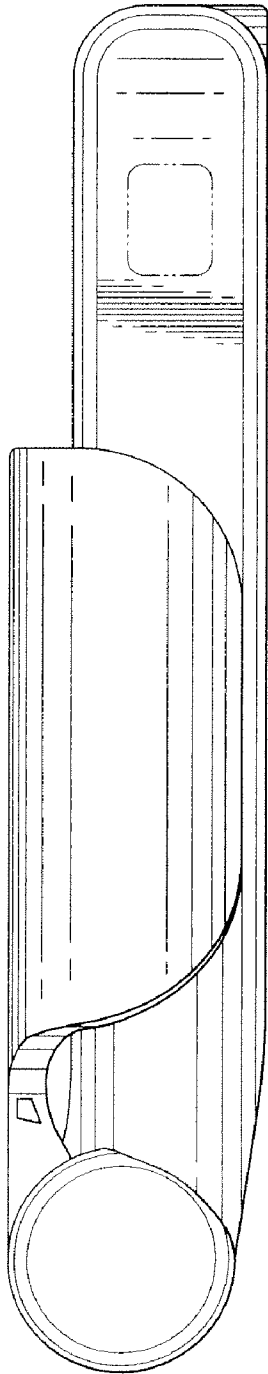


FIG. 5

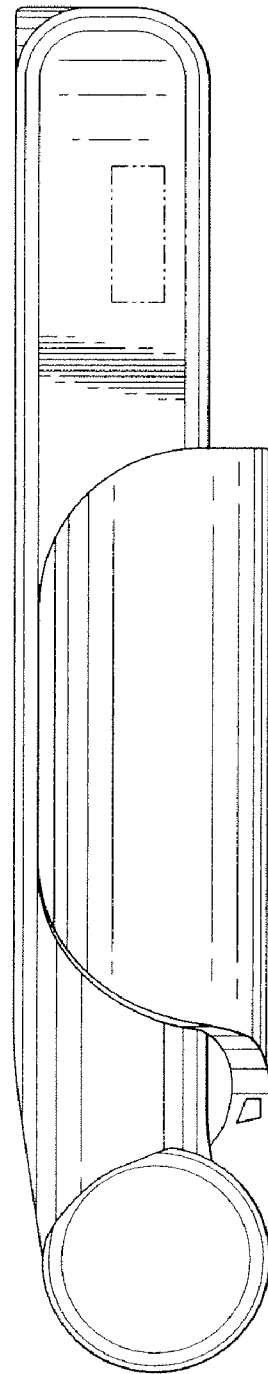


FIG. 6

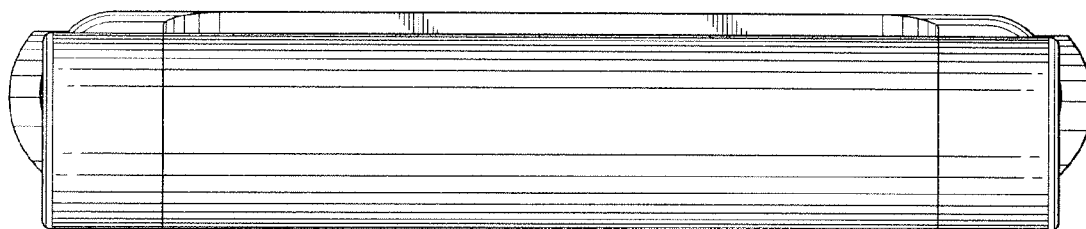


FIG. 7

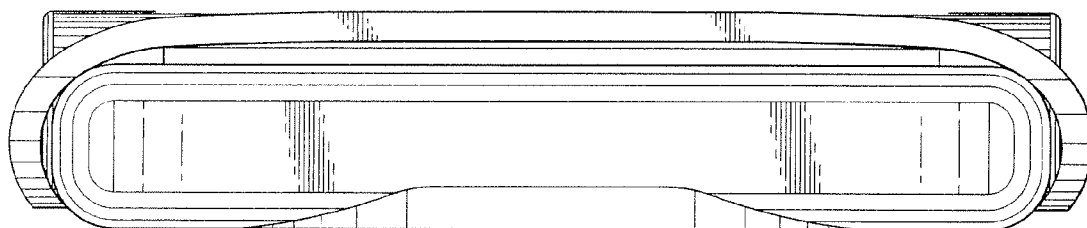


FIG. 8

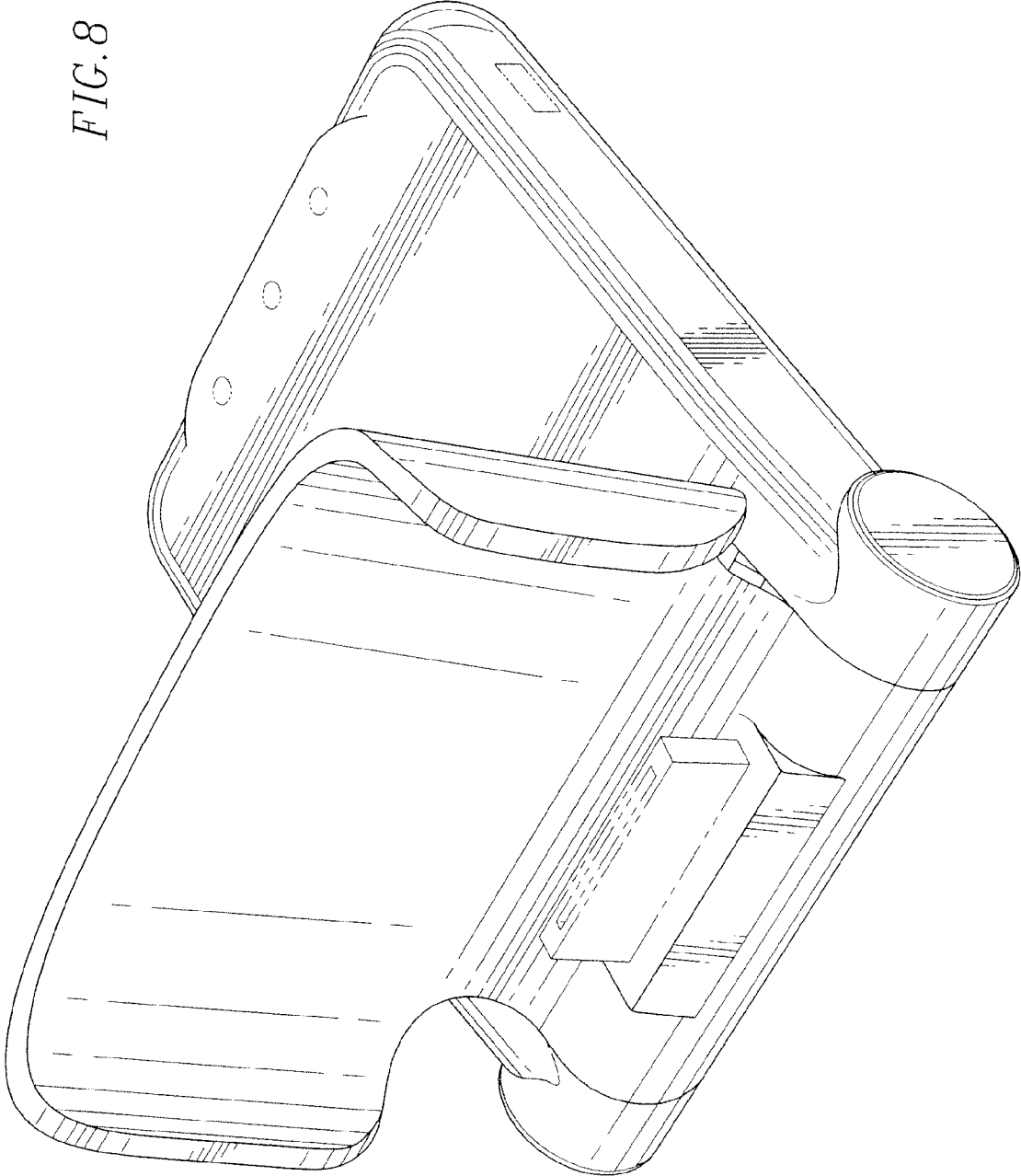


FIG. 9

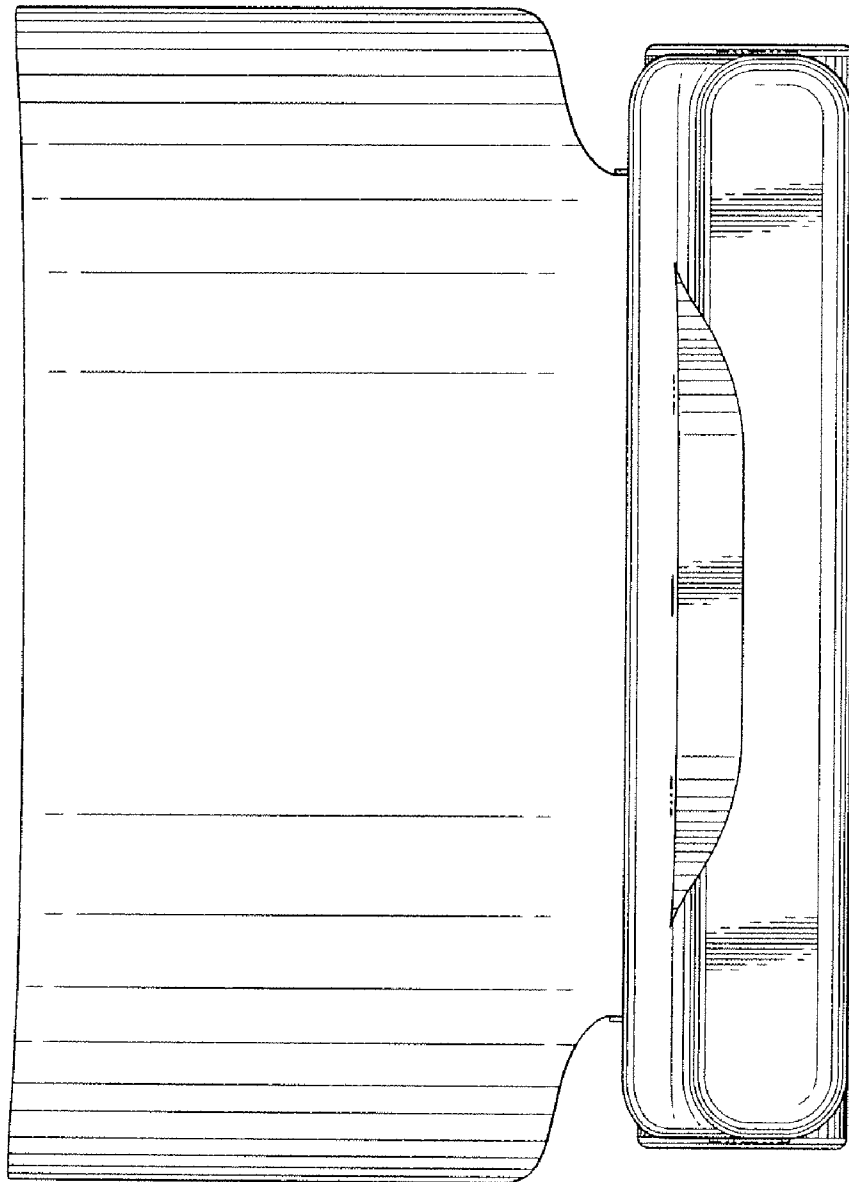


FIG. 10

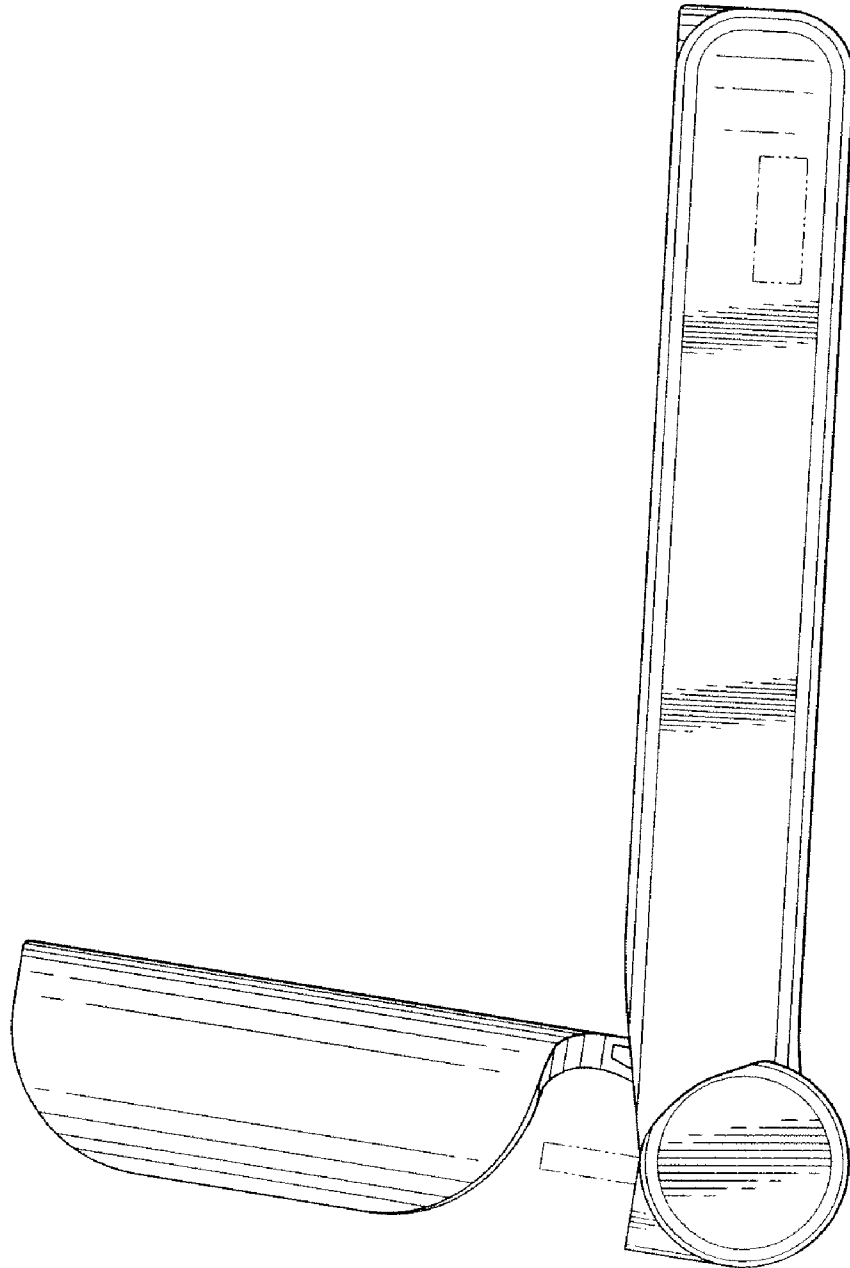
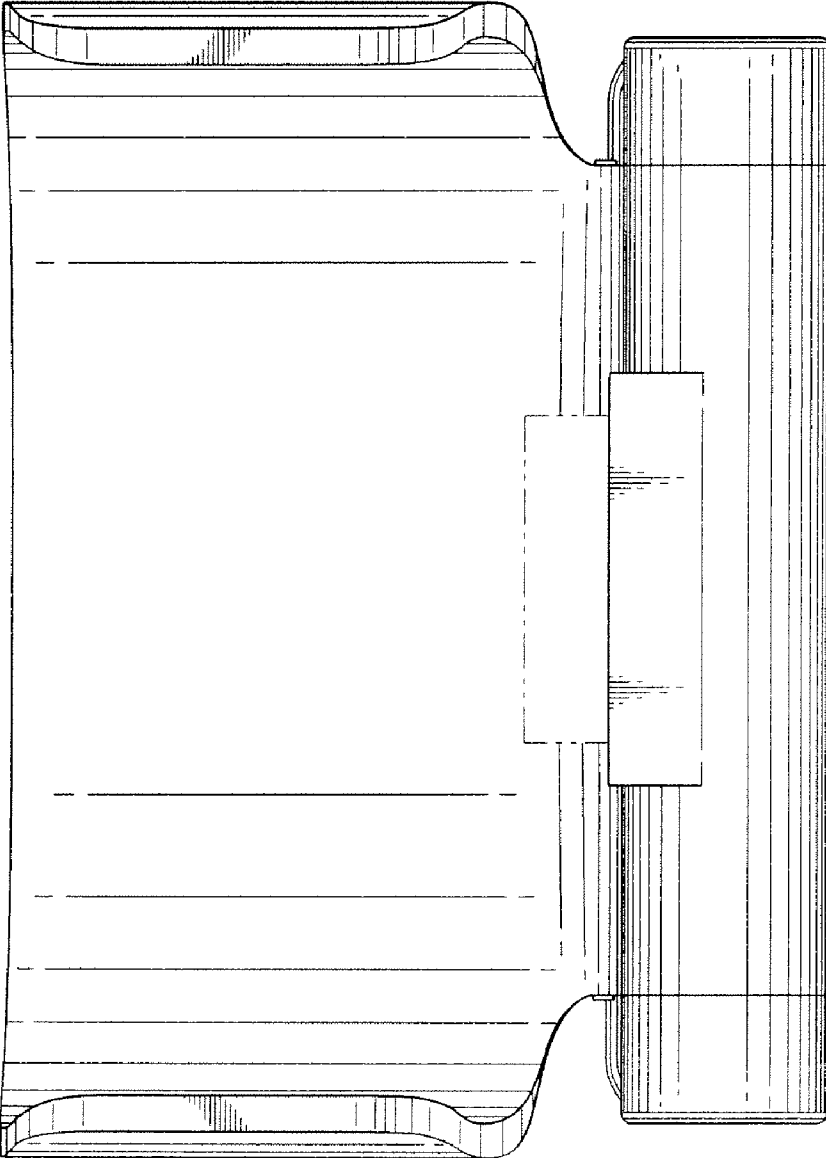


FIG. 11



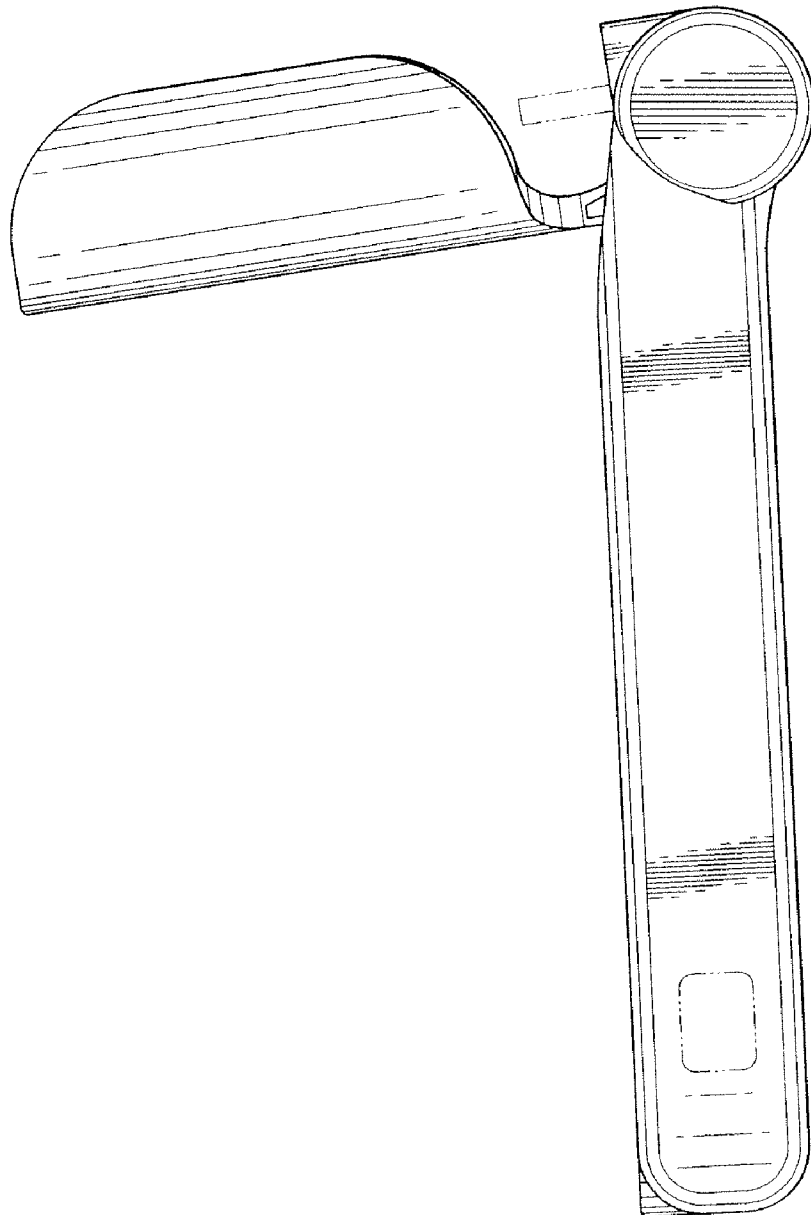


FIG. 12

FIG. 13

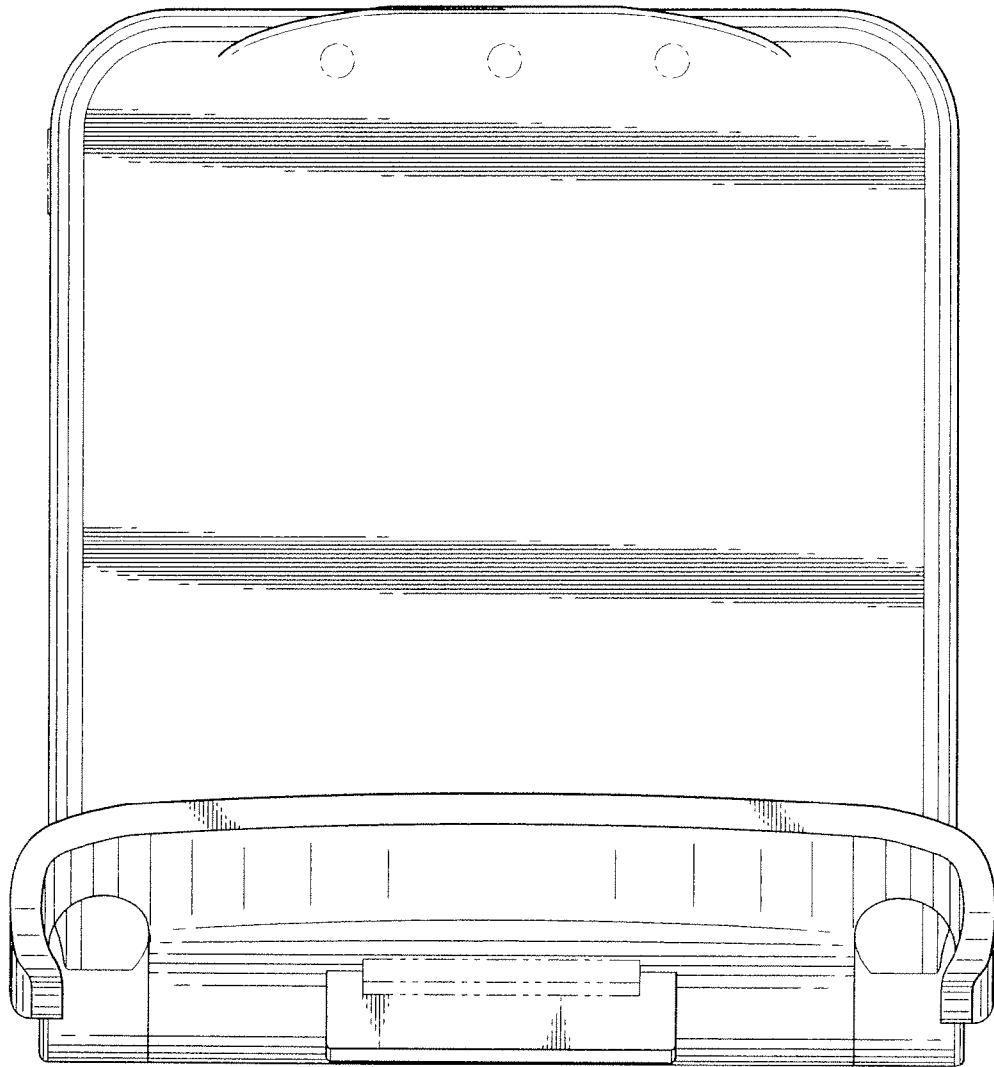
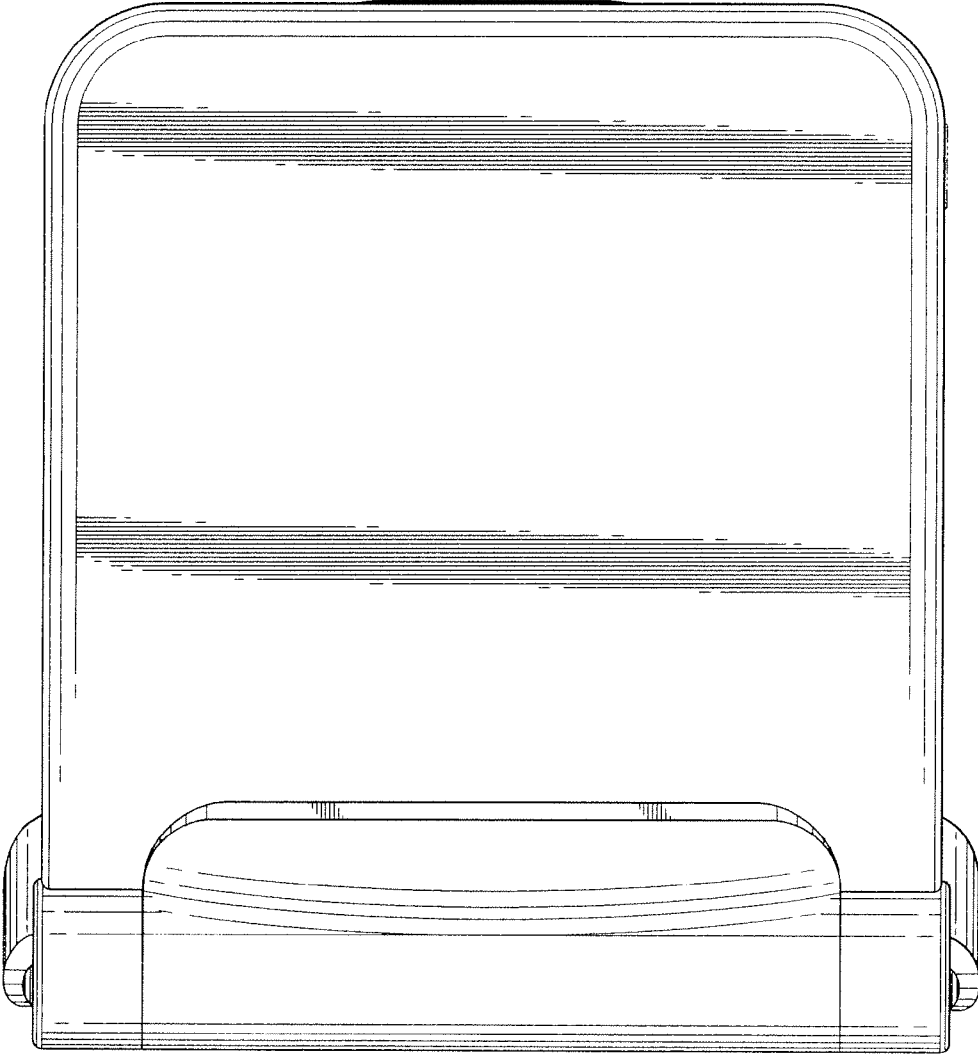


FIG. 14



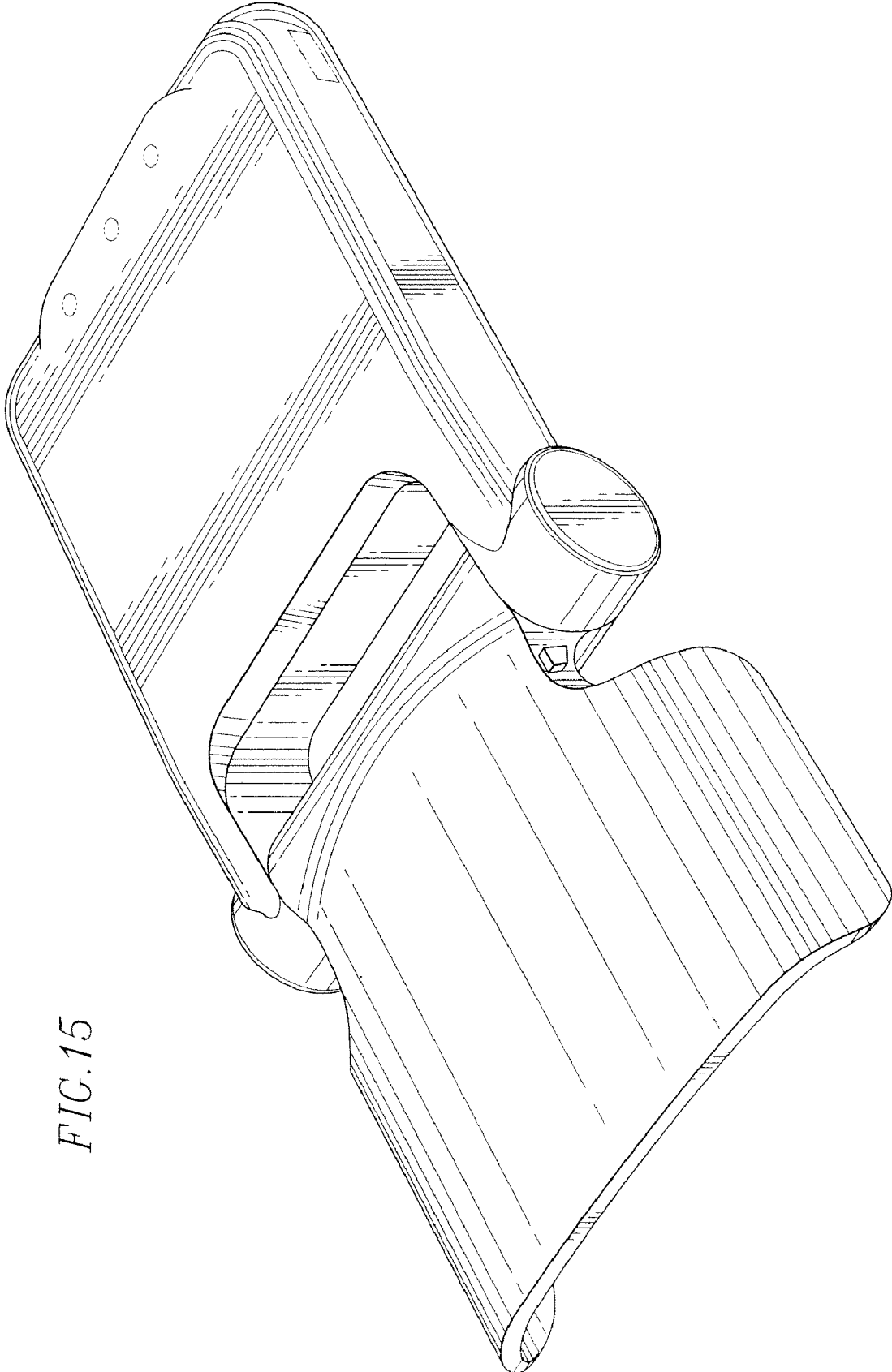


FIG.15