



(12) **United States Design Patent**
Wolfson

(10) **Patent No.:** **US D1,024,343 S**
(45) **Date of Patent:** **** Apr. 23, 2024**

(54) **ELECTROTHERAPY DEVICE**
(71) Applicant: **ELECTROMEDICAL TECHNOLOGIES, INC.**, Scottsdale, AZ (US)
(72) Inventor: **Matthew Wolfson**, Scottsdale, AZ (US)
(73) Assignee: **ELECTROMEDICAL TECHNOLOGIES, INC.**, Scottsdale, AZ (US)
(**) Term: **15 Years**

(21) Appl. No.: **29/832,221**
(22) Filed: **Mar. 25, 2022**
(51) **LOC (14) Cl.** **24-01**
(52) **U.S. Cl.**
USPC **D24/200**

(58) **Field of Classification Search**
USPC D24/200, 204, 121, 133, 137, 138, 222, D24/141, 108, 111, 113, 127, 143, 148, D24/152-154, 176, 179, 206, 209-216, D24/190; D7/323, 391, 354, 538, 629; D9/435, 503, 424-428, 780, 432; D28/44.1, 9, 44, 54.1, 56-58, 61, 99; D23/240, 362, 364, 366; D14/341; D8/4, 29.1, 29.2, 30-31, 39
CPC A61F 7/00; A61F 7/007; A61F 7/0085; A61F 2007/0001; A61F 2007/0003; A61F 2007/0004; A61F 2007/0024; A61F 2007/0029; A61F 2007/0039; A61F 2007/0041; A61F 2007/0043; A16F 2007/0001; A16F 2007/0003; A16F 2007/0004; A16F 2007/0024; A16F 2007/0029; A16F 2007/0031; A16F 2007/0039; A16F 2007/0041; A16F 2007/0043; A47J 36/06; A61L 9/03; A61L 9/12; F27B 14/12; H05B 3/00; H05B 3/0052; A61H 33/04; A61H 2033/047; A61N 5/0616; A61N

2005/0652; A61N 2005/0644; A61N 7/00; A61N 1/0472; A61N 1/322; A61N 1/328; A61N 2005/007;

(Continued)

(56) **References Cited**

U.S. PATENT DOCUMENTS

D459,811 S * 7/2002 Maus D24/169
D532,518 S * 11/2006 Eda D24/165
(Continued)

Primary Examiner — Samantha Q Lawrence
Assistant Examiner — Holly M Rodriguez
(74) *Attorney, Agent, or Firm* — Kevin Schraven; Heber Martin Carbajal; Hankin Patent Law, APC

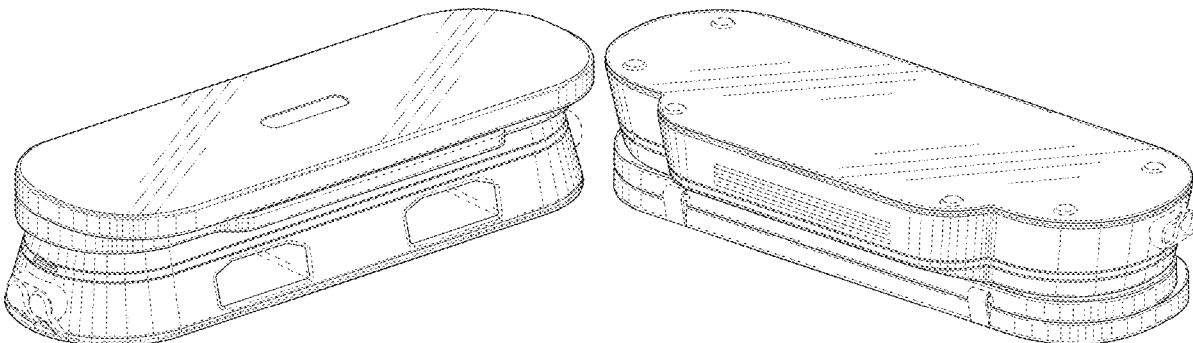
(57) **CLAIM**

The ornamental design for an electrotherapy device, as shown and described.

DESCRIPTION

FIG. 1 is a top perspective view of an electrotherapy device, showing my new design.
FIG. 2 is a bottom perspective view thereof.
FIG. 3 is a front elevational view thereof.
FIG. 4 is a rear elevational view thereof.
FIG. 5 is a left side elevational view thereof.
FIG. 6 is a right side elevational view thereof.
FIG. 7 is a top plan view thereof.
FIG. 8 is a bottom plan view thereof.
FIG. 9 is a top perspective view of the electrotherapy device in an open configuration.
FIG. 10 is a front perspective view of the electrotherapy device in an open configuration; and,
FIG. 11 is a top plan view of the electrotherapy device in an open configuration.
The broken lines shown in FIGS. 1-10 illustrate portions of the electrotherapy device that forms no part of the claimed design. The additional broken lines in FIG. 11 illustrate environment that form no part of the claimed design.

1 Claim, 11 Drawing Sheets



(58) **Field of Classification Search**

CPC .. A61N 2005/0647; A61N 2005/0662; A61N
2005/0663; A61N 2005/067; A61N
2007/0082; A45D 29/00; A45D 29/18;
A45D 29/20; A45D 2200/205; A45D
2200/155; A45D 29/11; A45D 29/14;
A45D 26/0014; A45D 2026/008; F24H
9/02

See application file for complete search history.

(56) **References Cited**

U.S. PATENT DOCUMENTS

| | | | | | | |
|----------|---|---|---------|-------------|-------|---------|
| D552,184 | S | * | 10/2007 | Hussaini | | D21/324 |
| D669,375 | S | * | 10/2012 | Kao | | D10/78 |
| D783,170 | S | * | 4/2017 | Carreon | | D24/167 |
| D792,359 | S | * | 7/2017 | Nakagawa | | D14/218 |
| D800,313 | S | * | 10/2017 | Chang | | D24/167 |
| D830,556 | S | * | 10/2018 | Sebban | | D24/167 |
| D840,024 | S | * | 2/2019 | Stonecipher | | D24/112 |
| D872,283 | S | * | 1/2020 | Hallee | | D24/185 |
| D889,419 | S | * | 7/2020 | Gossens | | D13/168 |
| D914,896 | S | * | 3/2021 | Hoshino | | D24/186 |
| D957,648 | S | * | 7/2022 | Al-Ali | | D24/186 |

* cited by examiner

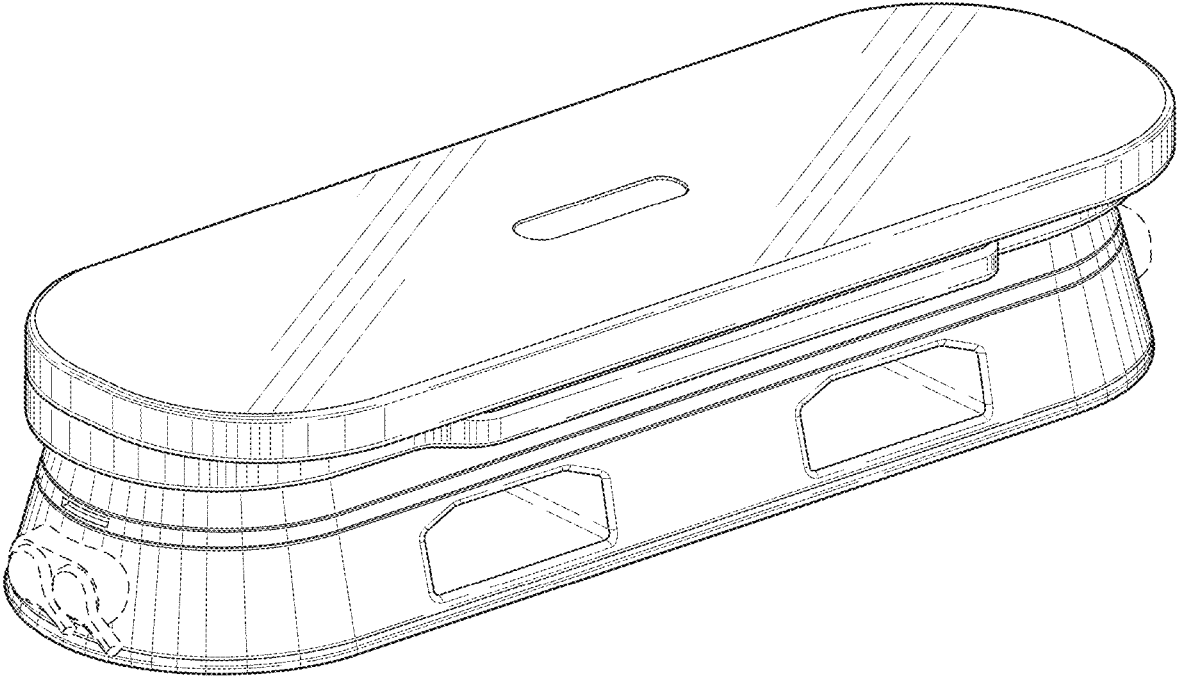


Fig. 1

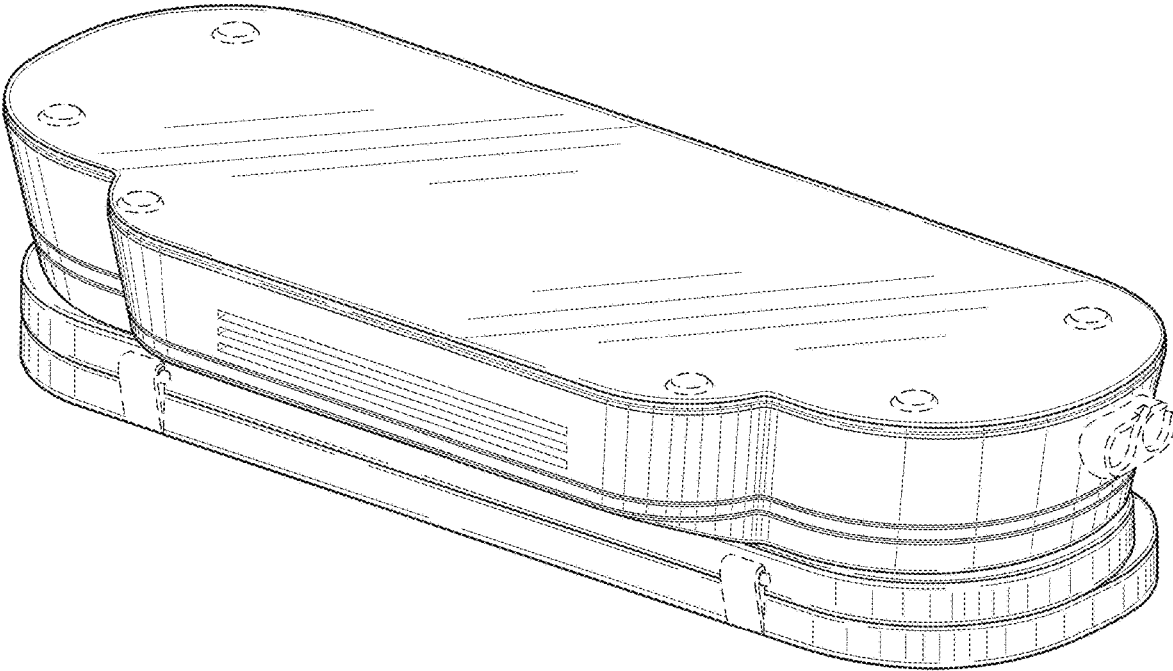


Fig.2

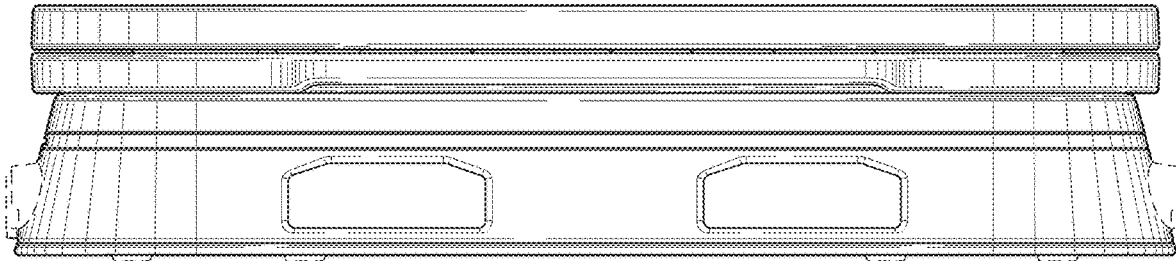


Fig.3

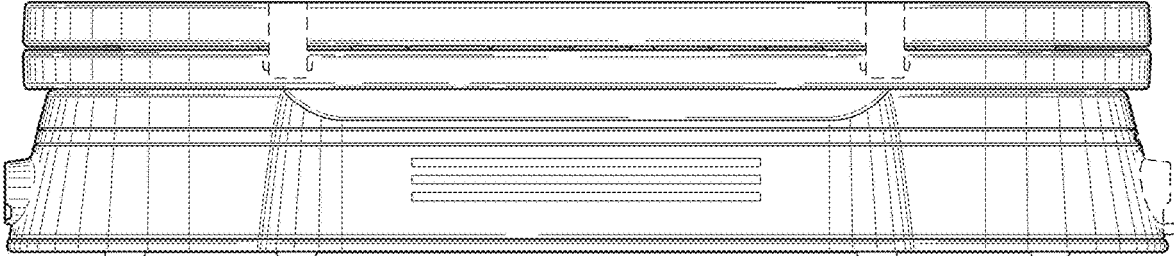


Fig.4

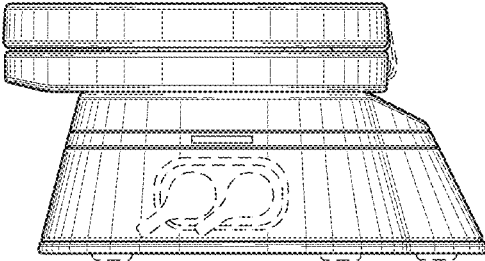


Fig.5

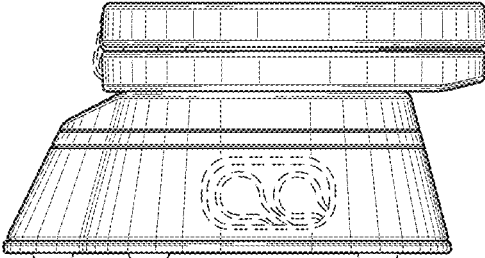


Fig.6

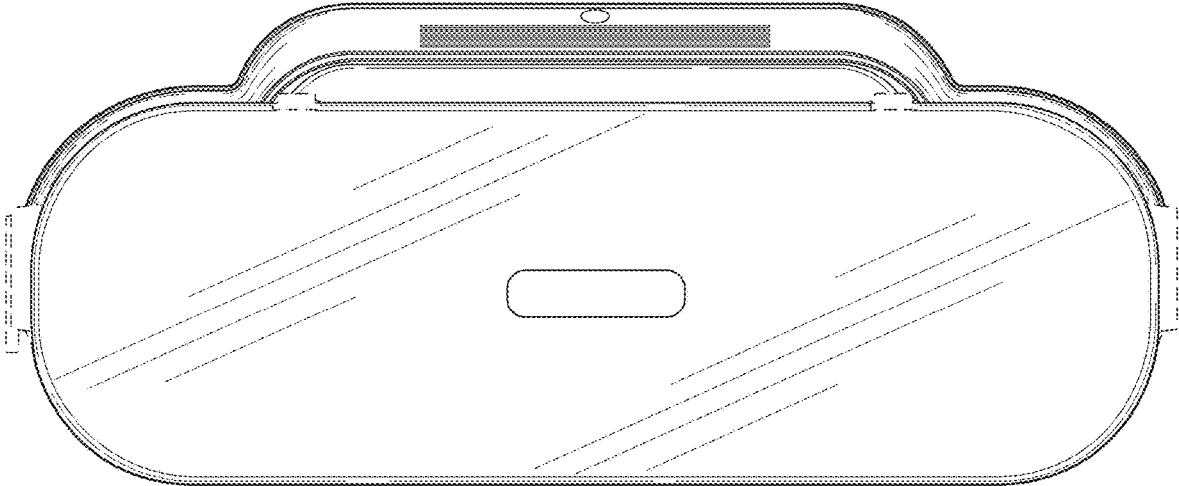


Fig.7

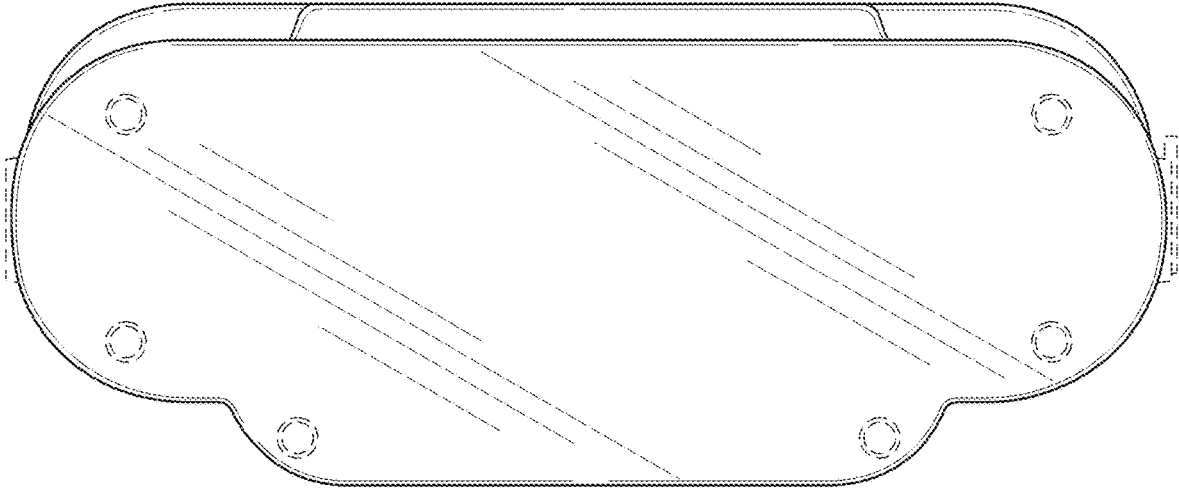


Fig.8

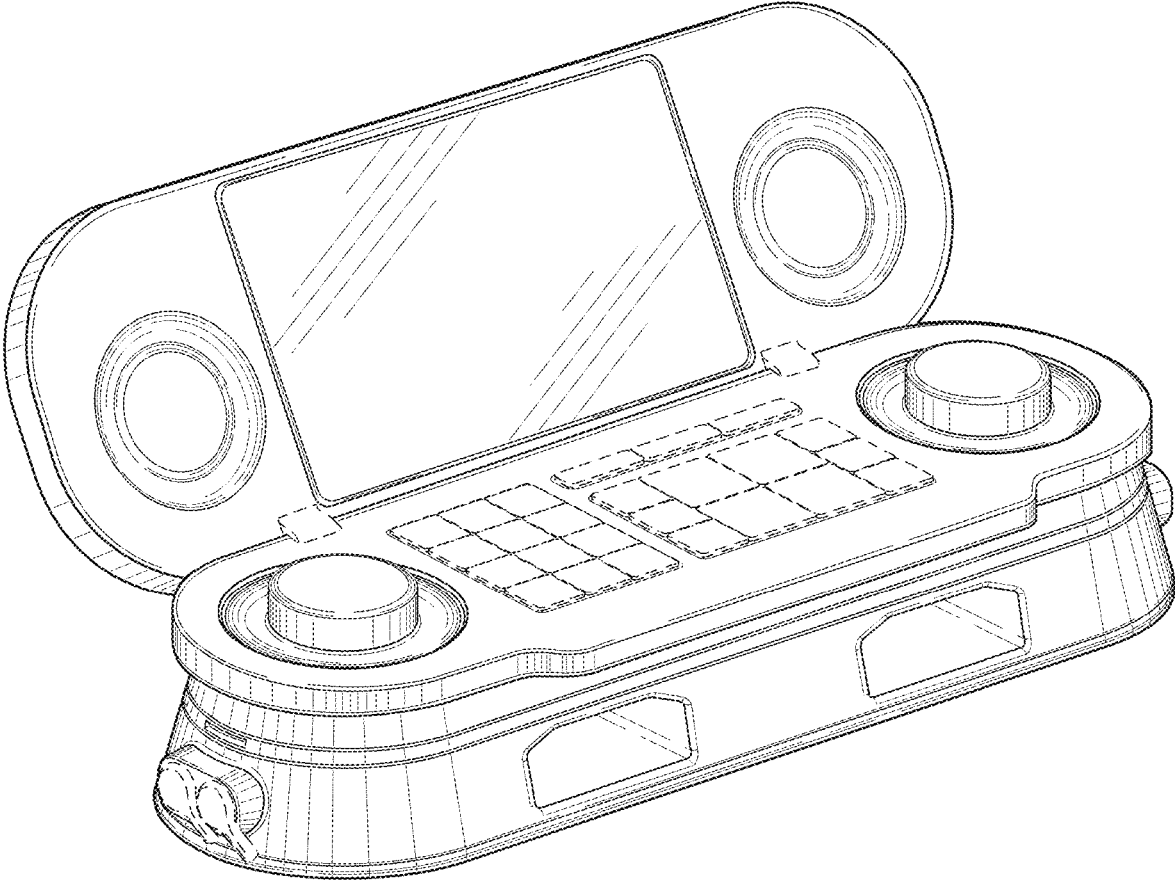


Fig.9

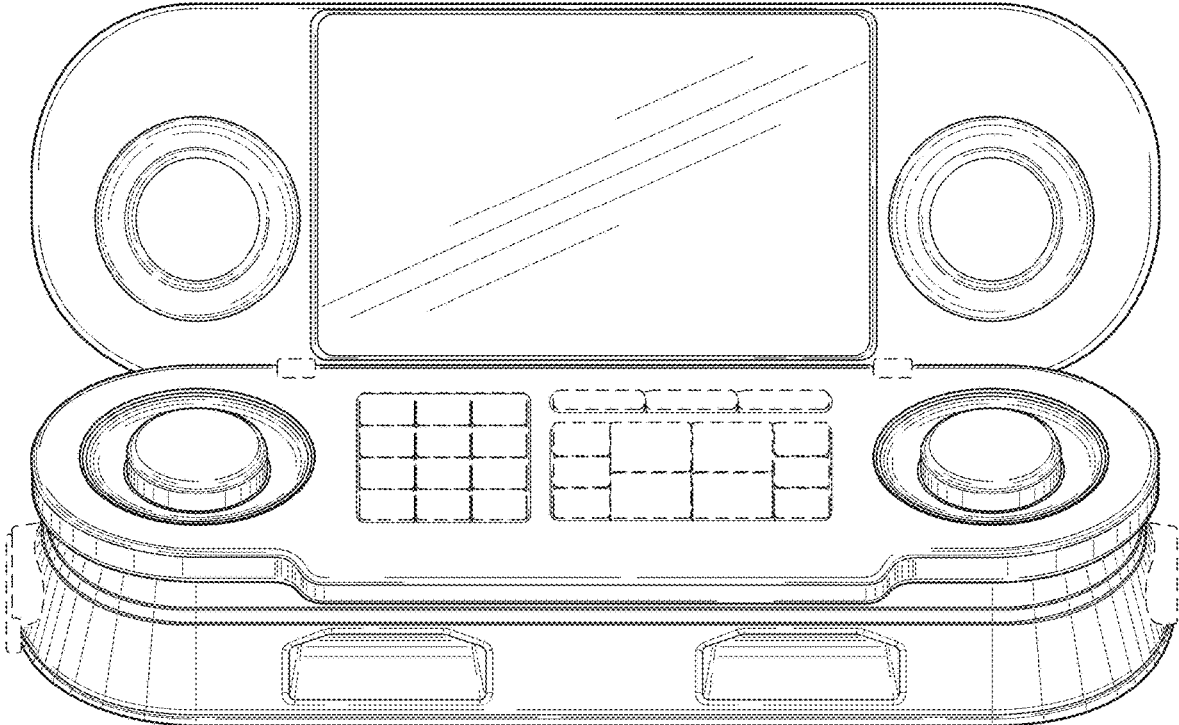


Fig. 10

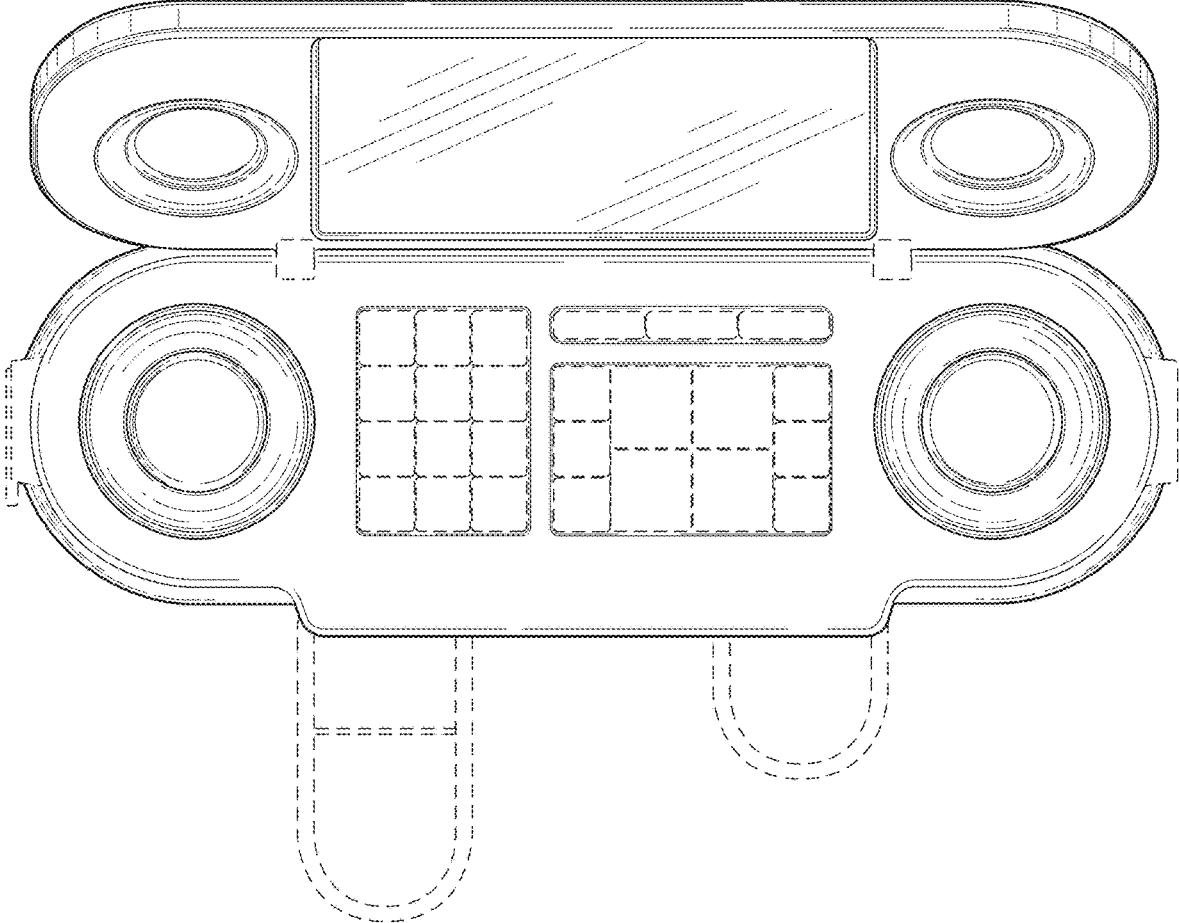


Fig. 11