



US00D964183S

(12) **United States Design Patent** (10) **Patent No.:** **US D964,183 S**  
**Egbert et al.** (45) **Date of Patent:** **\*\* Sep. 20, 2022**

- (54) **TIMER**
- (71) Applicants: **Ryan Egbert**, Oklahoma City, OK  
(US); **Cameron Trice**, Oklahoma City,  
OK (US)
- (72) Inventors: **Ryan Egbert**, Oklahoma City, OK  
(US); **Cameron Trice**, Oklahoma City,  
OK (US)
- (73) Assignee: **Jasco Products Company, LLC**,  
Oklahoma City, OK (US)

D685,657	S	*	7/2013	Hu	.....	D10/40
D709,390	S	*	7/2014	Ni	.....	D10/40
D729,639	S	*	5/2015	Lin	.....	D10/40
D731,979	S	*	6/2015	Edwards	.....	D13/147
D735,131	S	*	7/2015	Akana	.....	D13/108
D768,090	S	*	10/2016	Trice	.....	D13/164
D772,732	S	*	11/2016	Lin	.....	D10/40
D786,193	S	*	5/2017	Akana	.....	D13/108
D791,620	S	*	7/2017	Trice	.....	D10/40
D798,807	S	*	10/2017	Shi	.....	D13/108
D846,500	S	*	4/2019	Xu	.....	D13/137.4
D850,367	S	*	6/2019	Xiong	.....	D13/108

(Continued)

(\*\*) Term: **15 Years**

(21) Appl. No.: **29/718,808**

(22) Filed: **Dec. 29, 2019**

(51) **LOC (13) Cl.** ..... **10-03**

(52) **U.S. Cl.**  
USPC ..... **D10/40**

(58) **Field of Classification Search**  
USPC .... D10/40, 41, 46.1; D13/137.2–137.4, 158,  
D13/162, 162.1, 167, 169, 171, 174  
CPC ..... G04G 15/006; G04G 17/08; G04G 21/08;  
G04C 23/04; G04C 23/08; H01H 43/022;  
H03K 2017/9602  
See application file for complete search history.

(56) **References Cited**

**U.S. PATENT DOCUMENTS**

4,114,275	A	*	9/1978	Jones	.....	A61C 1/0023 433/101
D254,488	S	*	3/1980	Giannotti, Jr.	.....	D13/167
D325,370	S	*	4/1992	Belcher	.....	D13/137.3
D582,795	S	*	12/2008	Stekelenburg	.....	D10/40
D599,241	S	*	9/2009	Andre	.....	D10/104.1
D615,929	S	*	5/2010	Maurer	.....	D13/137.4
D620,816	S	*	8/2010	Stekelenburg	.....	D10/40
D660,255	S	*	5/2012	James	.....	D13/167
D679,202	S	*	4/2013	Hu	.....	D10/40

**OTHER PUBLICATIONS**

U—Honeywell 24-Hour Plug-in Timer | youtube.com; posted by  
Jasco Products Company Aug. 30, 2019 [online]. [retrieved Jun. 25,  
2021] from Internet: <https://www.youtube.com/watch?v=  
UoSICJkK5ag> (Year: 2019).\*

(Continued)

*Primary Examiner* — Katherine Glennon  
(74) *Attorney, Agent, or Firm* — William Popejoy

(57) **CLAIM**

The ornamental design for a timer, as shown and described.

**DESCRIPTION**

FIG. 1 is a front elevational view of a timer showing our new design;

FIG. 2 is a rear elevational view thereof;

FIG. 3 is a bottom plan view thereof;

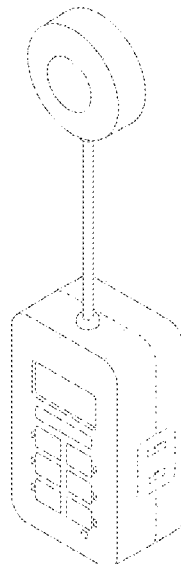
FIG. 4 is a perspective view thereof; and,

FIG. 5 is another perspective view thereof.

The broken lines in the drawings are for the purpose of illustrating portions of the timer that form no part of the claimed design.

The left side of the timer, not shown, is a mirror image of the right side of the timer shown in FIG. 4 and FIG. 5.

**1 Claim, 3 Drawing Sheets**



(56)

**References Cited**

U.S. PATENT DOCUMENTS

D915,660	S *	4/2021	Civelekoglu .....	D26/104
D924,182	S *	7/2021	Fu .....	D13/168
2004/0206612	A1 *	10/2004	Melia .....	G04C 23/04 200/36
2011/0211425	A1 *	9/2011	Liu .....	G04C 23/18 368/10
2014/0292106	A1 *	10/2014	Miyahara .....	H05B 47/16 307/116
2015/0061546	A1 *	3/2015	Stack .....	H01R 13/70 315/360

OTHER PUBLICATIONS

V—UltraPro Indoor Plug-in Digital Timer | amazon.com; date first available Sep. 23, 2019 [online]. © 1996-2021, Amazon.com, Inc [retrieved Jun. 25, 2021] from Internet: <<https://www.amazon.com/Honeywell-Settings-Countdown-Polarized-45183/dp/B07Y8MZ9WT>> (Year: 2019).\*

W—GE Digital Timer | amazon.com; date first available Jan. 2015 [online]. © 1996-2021, Amazon.com, Inc [retrieved Jun. 29, 2021]

from Internet: <<https://www.amazon.com/GE-13479-Digital-Indoor-Polarized/dp/B00SUXDL1Y>> (Year: 2015).\*

X—Otimo 7 Day Indoor Digital Timer | amazon.co.uk; date first available Aug. 15, 2016 [online]. © 1996-2021, Amazon.com, Inc [retrieved Jun. 29, 2021] from Internet: <<https://www.amazon.co.uk/Otimo-Digital-Programmable-Countdown-Function/dp/B01KGHNJX6>> (Year: 2016).\*

MyTouchSmart 26892 Indoor Digital Timer | amazon.com; date first avail Sep. 28, 2015; photo review by Lazy Shopper posted Oct. 2018 [online]. © 1996-2021, Amazon.com, Inc [retrieved Jun. 29, 2021] from internet: <<https://www.amazon.com/myTouchSmart-26892-Indoor-Simple-Plug/dp/B014SGCIR4?th=1>> (Year: 2015).\*

Canagrow Outlet timer | amazon.com; date first available Feb. 19, 2019 [online], © 1996-2021, Amazon.com, Inc [retrieved Jun. 29, 2021] from Internet: <<https://www.amazon.com/Digital-Programmable-CANAGROW-Electric-Grounded/dp/B07MC2MJG4?th=1>> myTouchSmart (Year: 2019).\*

Cordinate Designer OnOff Swtich Plug | amazon.com; date first available Nov. 12, 2018 [online]. © 1996-2021, Amazon.com, Inc [retrieved Oct. 26, 2021] from Internet: <<https://www.amazon.com/Cordinate-Designer-Tabletop-Resistant-41095/dp/B07KFMNJLH>> (Year: 2018).\*

\* cited by examiner

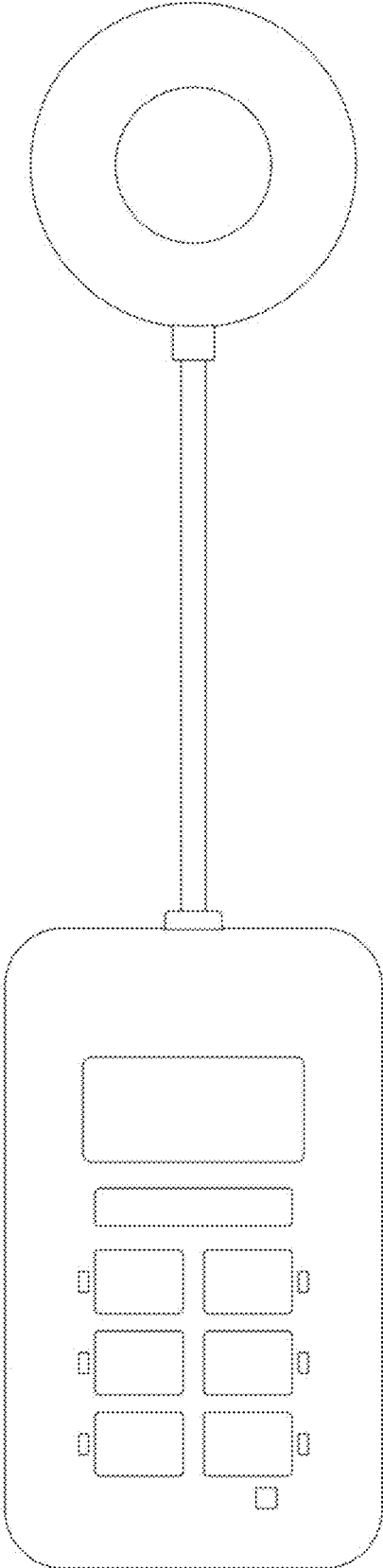


FIG. 1

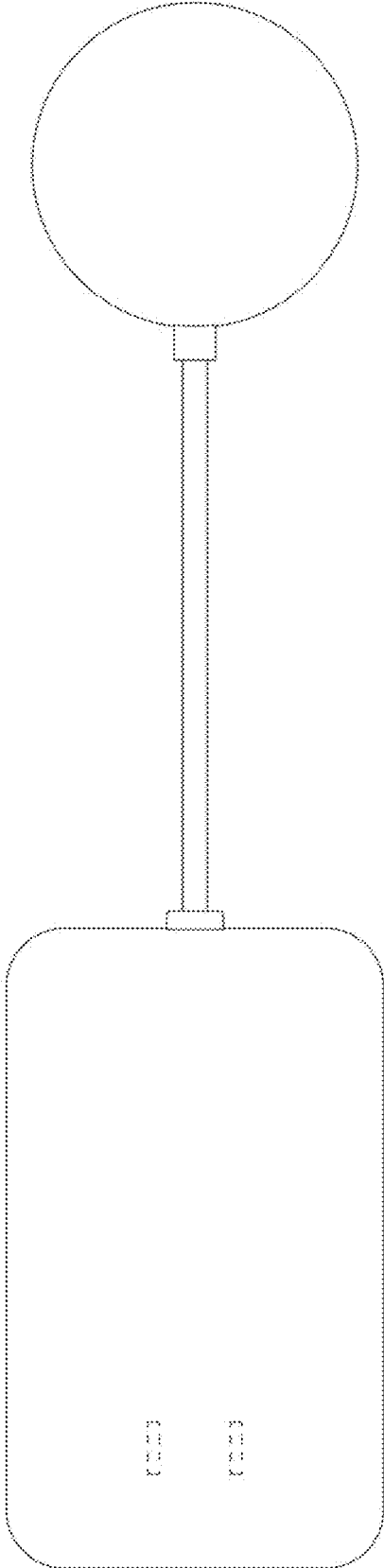


FIG. 2

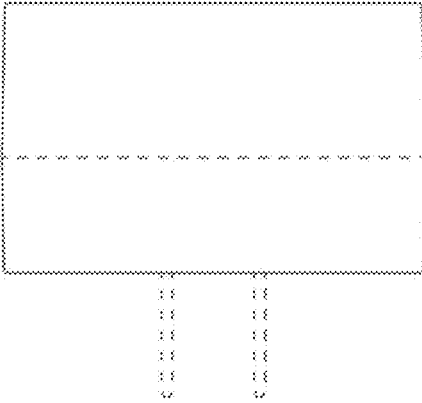


FIG. 3

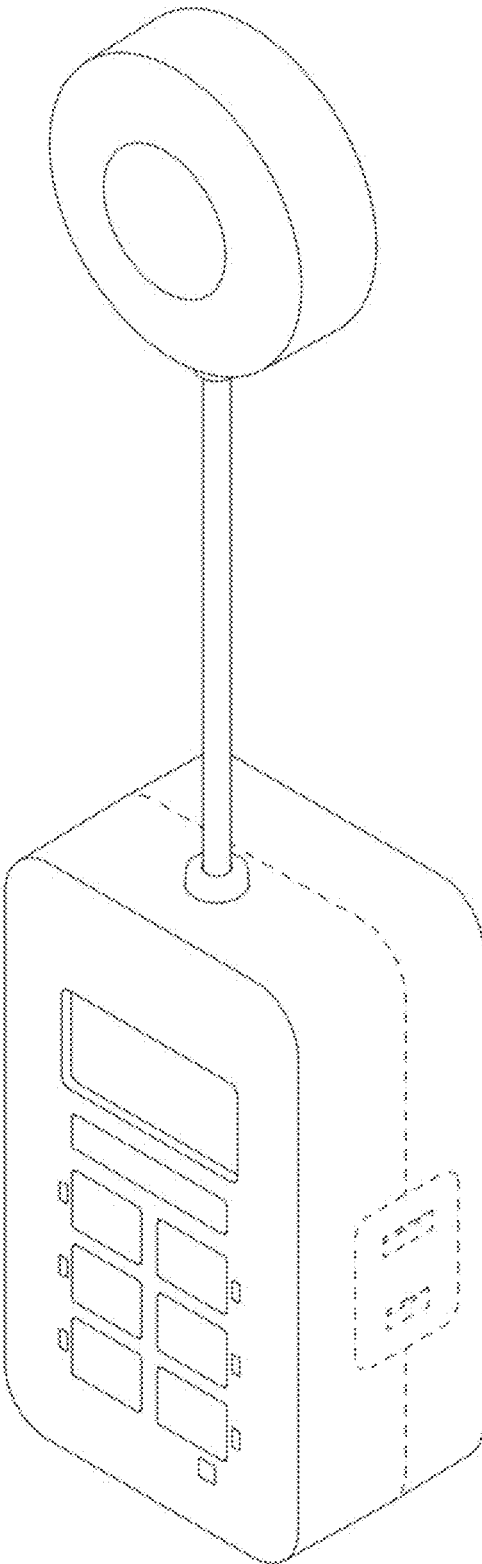


FIG. 4

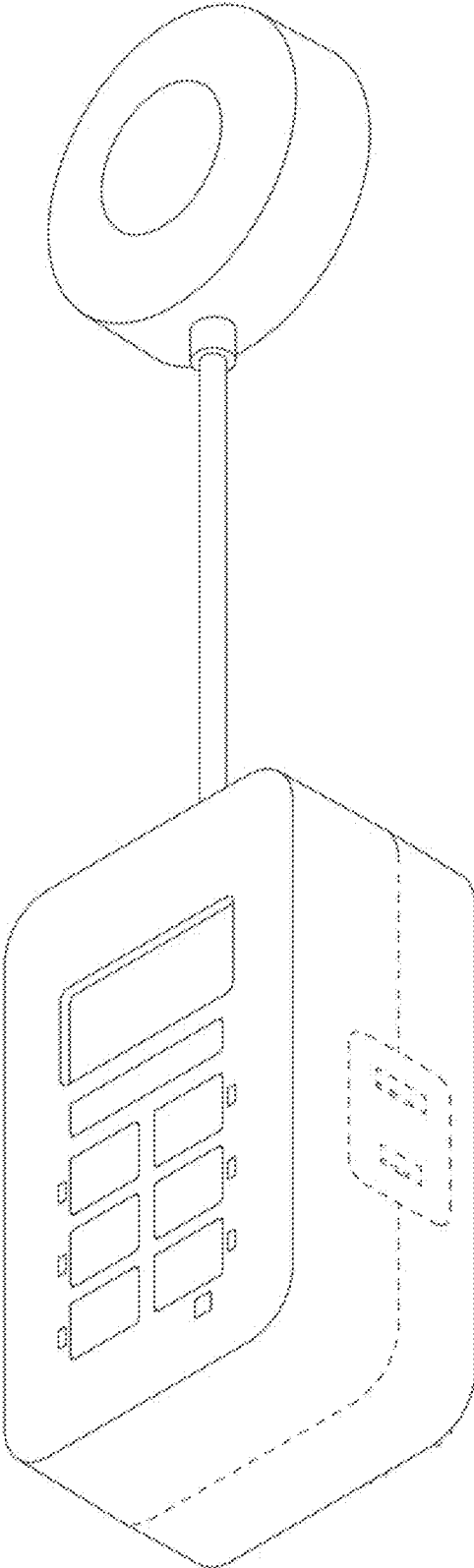


FIG. 5