



US00D746127S

(12) **United States Design Patent**
Cohen

(10) **Patent No.:** **US D746,127 S**

(45) **Date of Patent:** **** Dec. 29, 2015**

(54) **OVER THE DOOR HANGER**

(71) Applicant: **Mystic Apparel LLC**, New York, NY (US)

(72) Inventor: **Samuel V. Cohen**, Brooklyn, NY (US)

(73) Assignee: **Mystic Apparel LLC**, New York, NY (US)

(**) Term: **14 Years**

(21) Appl. No.: **29/495,428**

(22) Filed: **Jul. 1, 2014**

(51) **LOC (10) Cl.** **08-05**

(52) **U.S. Cl.**
USPC **D8/367**

(58) **Field of Classification Search**
USPC D8/367, 354, 349; D6/323; 248/301
CPC F16B 2/00; A63B 27/00
See application file for complete search history.

(56) **References Cited**

U.S. PATENT DOCUMENTS

769,440	A *	9/1904	Huxley	55/423
3,218,018	A *	11/1965	Pohl et al.	248/340
3,488,025	A *	1/1970	Rowland	248/339
D342,889	S *	1/1994	Adams	D8/367
D354,079	S *	1/1995	Shapiro	D8/373
D354,431	S *	1/1995	Andrews	D8/373
D494,050	S *	8/2004	Klein et al.	D8/373
D494,844	S *	8/2004	Klein et al.	D8/372

D546,147	S *	7/2007	Cullen	D8/16
D584,939	S *	1/2009	Snell	D8/367
D613,589	S *	4/2010	Goodman et al.	D8/367
D632,549	S *	2/2011	Williams	D8/367
D648,208	S *	11/2011	Platt	D8/367
D666,083	S *	8/2012	Mackay	D8/367
D668,938	S *	10/2012	Morales	D8/367
D686,489	S *	7/2013	Adams et al.	D8/367
D697,785	S *	1/2014	Davis	D8/367
D708,446	S *	7/2014	Goodman et al.	D6/323
D716,641	S *	11/2014	Goodman et al.	D8/371
2003/0066938	A1 *	4/2003	Zimmerman	248/301
2004/0178240	A1 *	9/2004	Bauer	224/268

* cited by examiner

Primary Examiner — Cynthia Underwood

(74) *Attorney, Agent, or Firm* — Andrew S. Langsam; Pryor Cashman LLP

(57) **CLAIM**

The ornamental design for an over the door hanger, as shown and described.

DESCRIPTION

FIG. 1 is a perspective view of the over the door hanger of the present invention;

FIG. 2 is a front elevational view thereof;

FIG. 3 is a rear elevational view thereof;

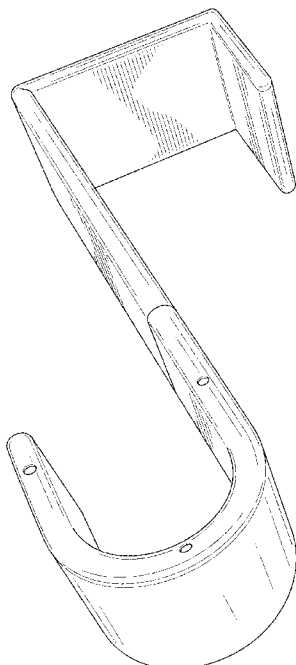
FIG. 4 is a right side elevational view thereof;

FIG. 5 is a left side elevational view thereof;

FIG. 6 is top plan view thereof; and,

FIG. 7 is a bottom plan view of the present invention.

1 Claim, 5 Drawing Sheets



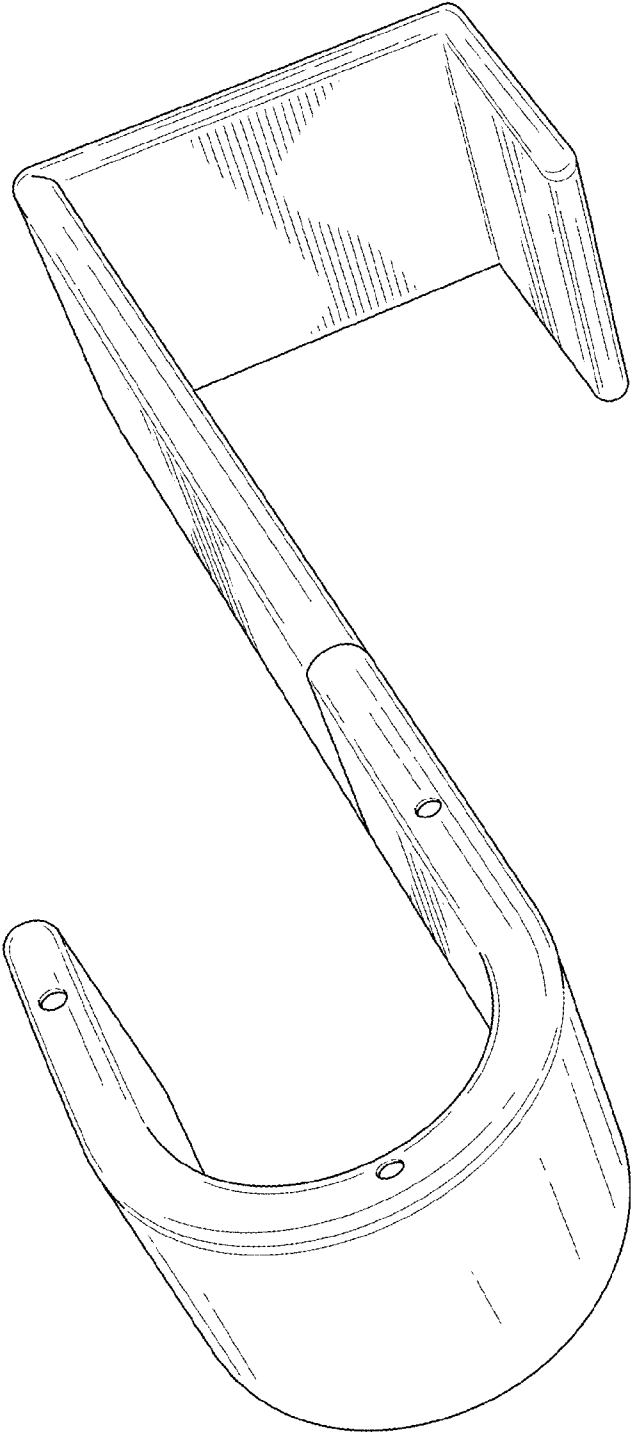


FIG. 1

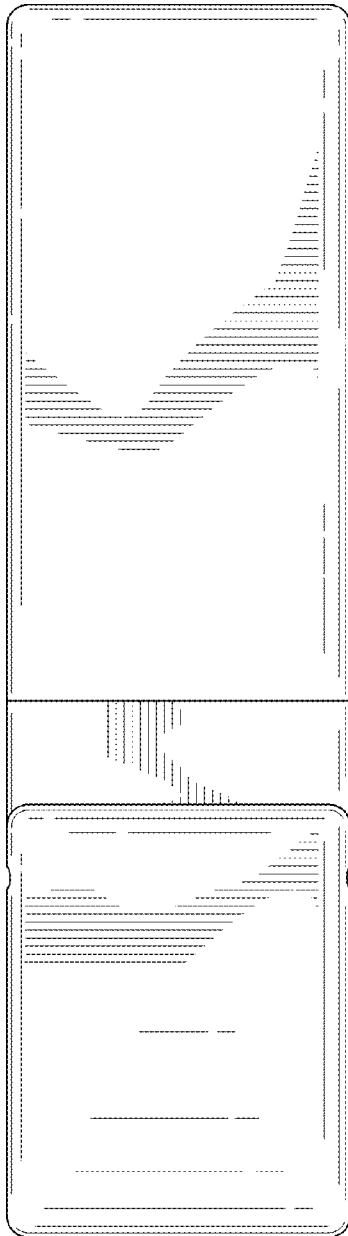


FIG. 2

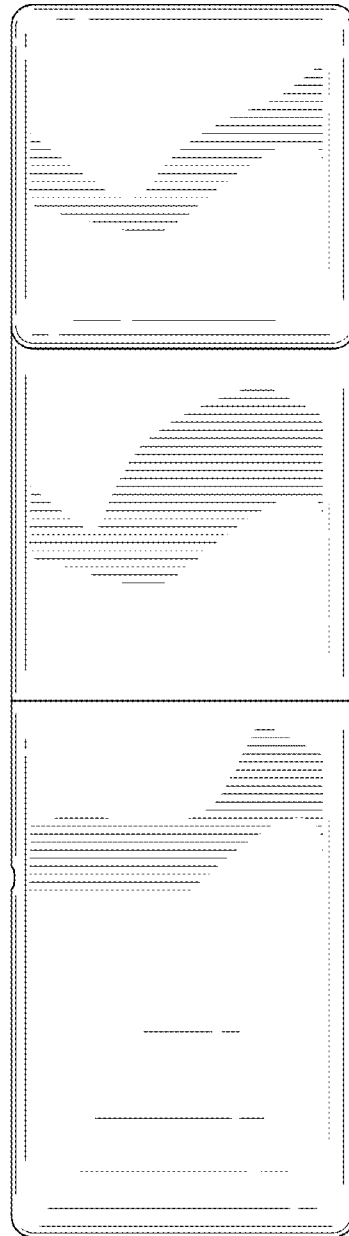


FIG. 3

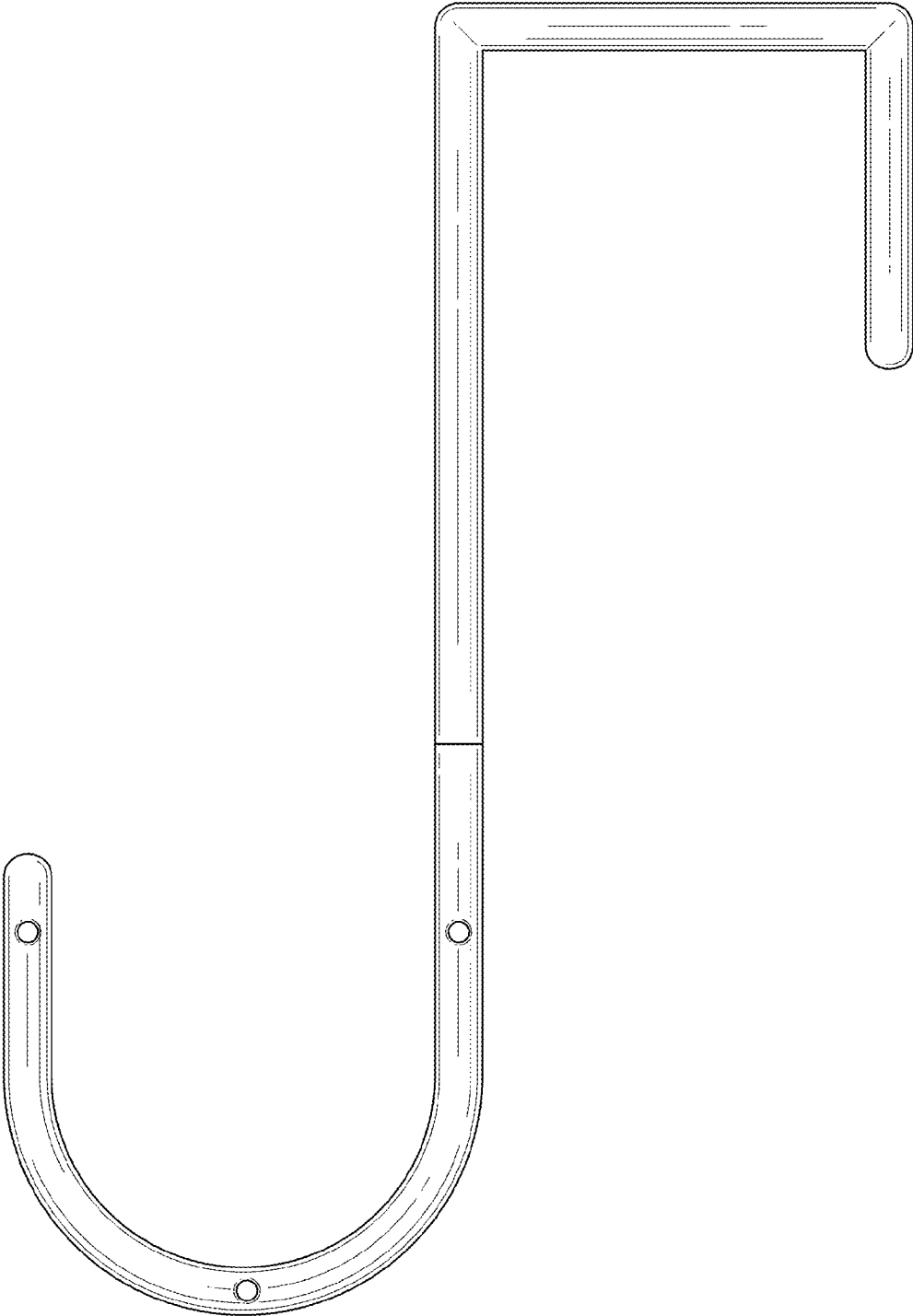


FIG. 4

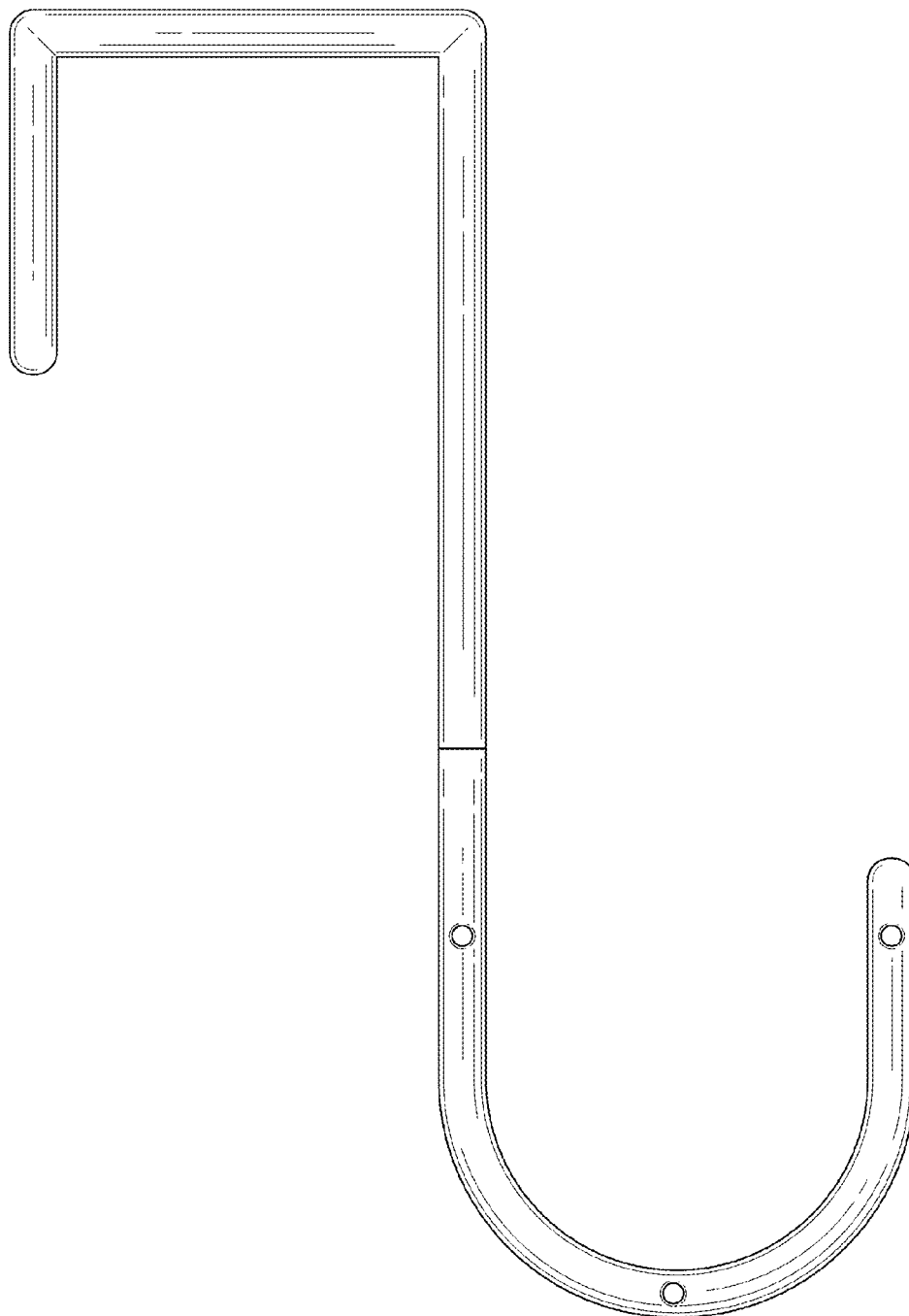


FIG. 5

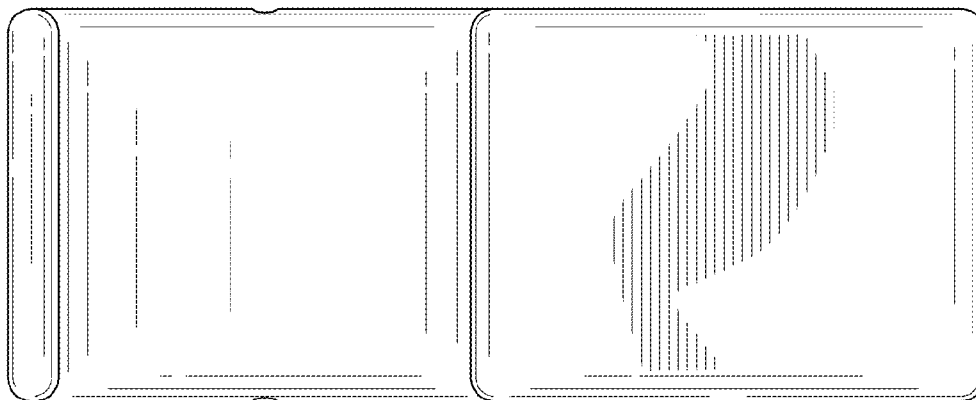


FIG. 6

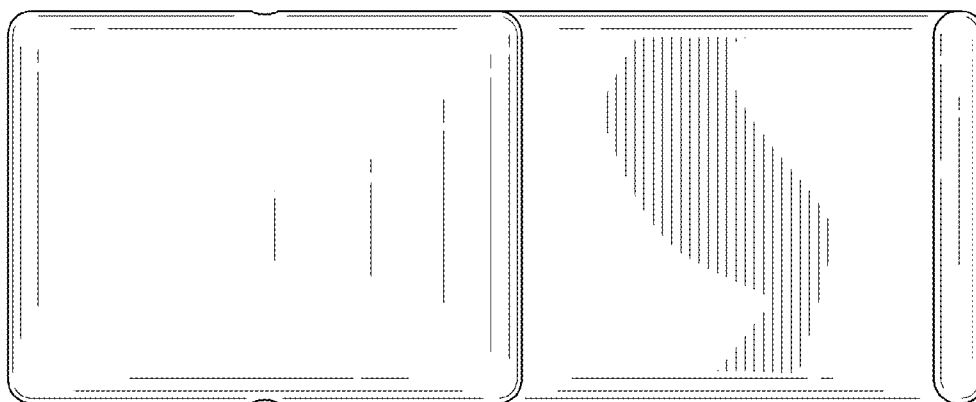


FIG. 7