



US00D364290S

United States Patent [19]

[11] **Patent Number: Des. 364,290**

Watts

[45] **Date of Patent: **Nov. 21, 1995**

[54] **PULL-OUT SHELF ASSEMBLY**

D. 300,291 3/1989 Naes D6/474

[76] **Inventor: Malcolm Watts**, po box 218, Mount Compass, South Australia, Australia, 5210

Primary Examiner—Alan P. Douglas
Assistant Examiner—S. Snapp
Attorney, Agent, or Firm—R. K. Maddern and Associates

[**] **Term: 14 Years**

[57] **CLAIM**

[21] **Appl. No.: 15,902**

The ornamental design for a pull-out shelf assembly, as shown and described.

[22] **Filed: Nov. 19, 1993**

[52] **U.S. Cl.** **D6/474; D6/449**

[58] **Field of Search** **D6/396, 399, 407, D6/626, 629, 630, 429, 466-469, 473-476; 312/194, 195, 196**

DESCRIPTION

FIG. 1 is a perspective view of a pull-out shelf assembly showing my new design with the shelf in an extended position;

FIG. 2 is a side elevation taken from the left of FIG. 1, the opposite elevation being a mirror image thereof;

FIG. 3 is a front elevation;

FIG. 4 is a rear elevation;

FIG. 5 is a top plan elevation; and,

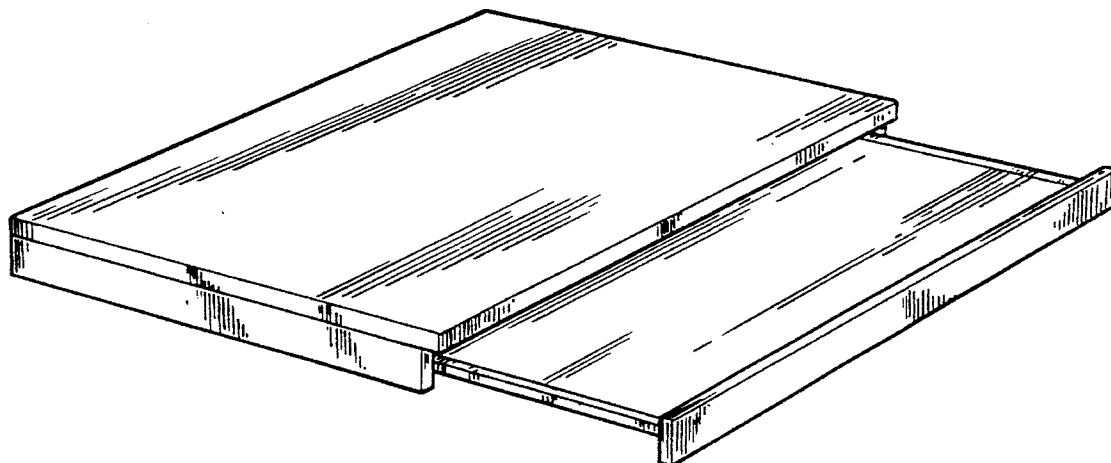
FIG. 6 is a bottom plan view.

[56] **References Cited**

U.S. PATENT DOCUMENTS

46,436	9/1914	Karpeles	D6/467	X
D. 285,632	9/1986	Axhamre	D6/474	
D. 286,833	11/1986	Cervero	D6/429	
D. 287,678	1/1987	Hatcher et al.	D6/474	
D. 298,493	11/1988	Hatcher et al.	D6/429	X

1 Claim, 2 Drawing Sheets



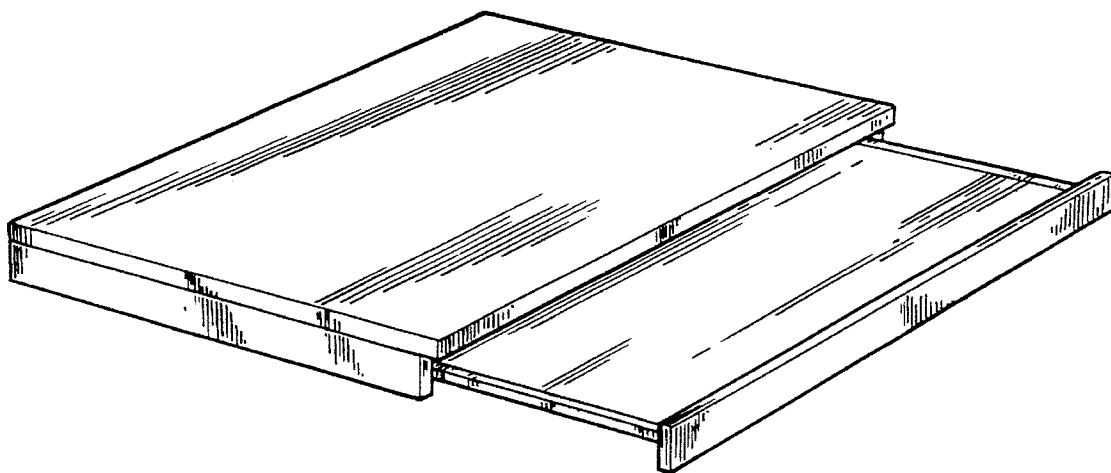


FIG 1



FIG 2



FIG 3

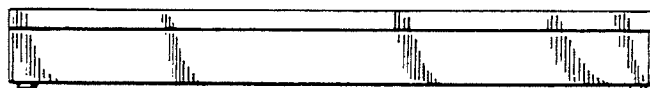


FIG 4

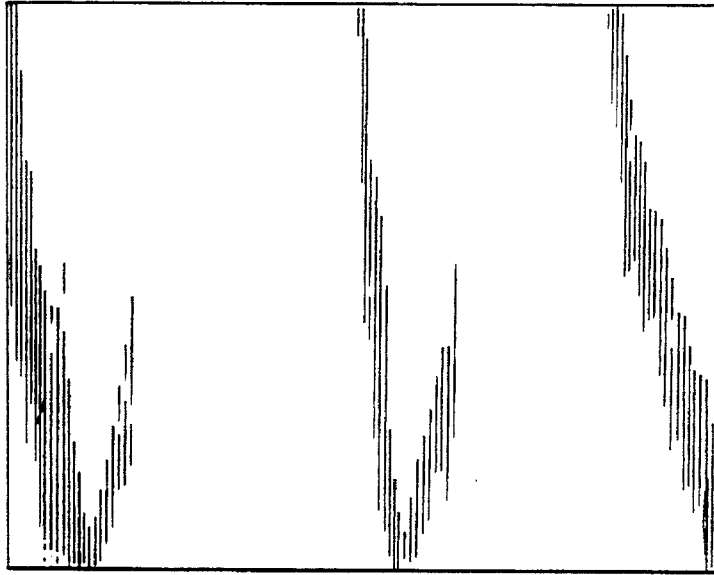


FIG 5

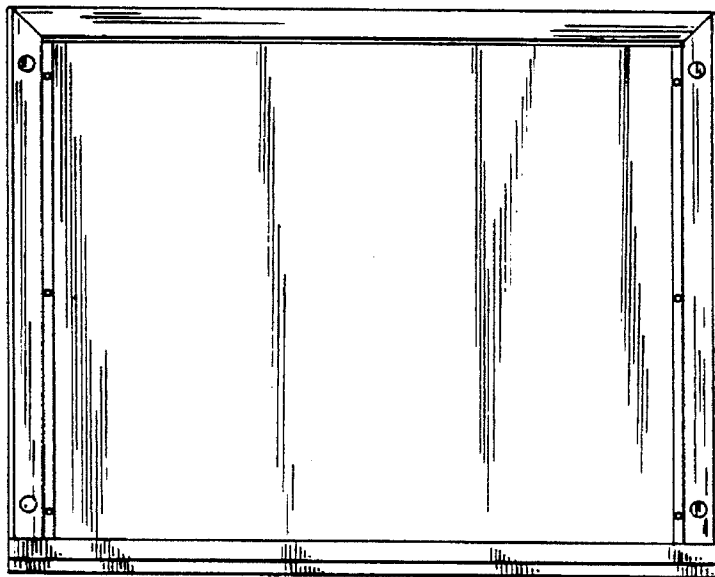


FIG 6