



US00D602487S

(12) **United States Design Patent**
Maskatia

(10) **Patent No.:** **US D602,487 S**

(45) **Date of Patent:** **** Oct. 20, 2009**

- (54) **MOBILE INTERNET DEVICE**
- (75) Inventor: **Arif Maskatia**, San Jose, CA (US)
- (73) Assignee: **Acer Incorporated**, Taipei Hsien (TW)
- (**) Term: **14 Years**
- (21) Appl. No.: **29/309,413**
- (22) Filed: **Aug. 12, 2008**

Related U.S. Application Data

- (62) Division of application No. 29/290,502, filed on Dec. 11, 2007, now Pat. No. Des. 579,930.

- (51) **LOC (9) Cl.** **14-02**
- (52) **U.S. Cl.** **D14/341**
- (58) **Field of Classification Search** D14/496,
D14/401, 435, 474, 483, 217, 137, 138, 160,
D14/168, 203.1–203.8, 341–347, 138 R,
D14/138 C, 138 G, 454, 439, 455, 456, 192,
D14/239, 247, 315, 327, 331, 336, 338, 339,
D14/393, 394, 399, 400, 429, 432, 125, 126,
D14/129, 130, 314; D21/324, 329, 330,
D21/331, 333; D18/7; D10/32; 455/556.1,
455/556.2, 11.1, 773, 344–347, 93, 95; 379/433.01,
379/433.07, 433.1, 433.11, 433.12, 433.13;
345/169, 156, 173–179, 905; 348/14.02,
348/790; 341/22; 361/680; 273/148 B;
368/281; 715/727–729, 864; 370/342–344;
369/1, 2, 6, 12; 463/43–47

See application file for complete search history.

(56) **References Cited**

U.S. PATENT DOCUMENTS

- D304,884 S * 12/1989 Ackeret D6/311
- D306,720 S * 3/1990 Flies D14/374
- D309,679 S * 8/1990 Ackeret D6/311
- D333,574 S * 3/1993 Ackeret D6/300
- D337,569 S 7/1993 Kando
- D361,552 S 8/1995 Lino
- D372,591 S * 8/1996 Brunner et al. D6/300
- D481,207 S * 10/2003 Sheldon et al. D6/300

- D490,420 S 5/2004 Solomon et al.
- D490,810 S * 6/2004 Huang D14/374
- D504,889 S 5/2005 Andre et al.
- D509,827 S * 9/2005 Johnson D14/374
- D514,558 S * 2/2006 Nagel et al. D14/341
- D532,791 S * 11/2006 Kim D14/203.7
- D535,281 S 1/2007 Yang
- D536,329 S 2/2007 Lee
- D537,420 S 2/2007 Tsai
- D550,174 S 9/2007 Deguchi
- D558,460 S * 1/2008 Yu et al. D6/308
- D560,227 S * 1/2008 Bennett et al. D14/496
- D560,231 S * 1/2008 Lee D14/496
- D562,319 S 2/2008 Kwon
- D562,589 S * 2/2008 Mellon et al. D6/449
- D566,071 S * 4/2008 Kaneko D14/126
- D566,588 S 4/2008 Stevens et al.
- D569,629 S * 5/2008 Yu et al. D6/308
- D571,235 S 6/2008 Stevens et al.
- D582,917 S * 12/2008 Wada D14/371
- D584,738 S * 1/2009 Kim et al. D14/496
- 2005/0156902 A1 7/2005 McPherson et al.

* cited by examiner

Primary Examiner—Cathron C Brooks
Assistant Examiner—Barbara Fox
 (74) *Attorney, Agent, or Firm*—Bacon & Thomas, PLLC

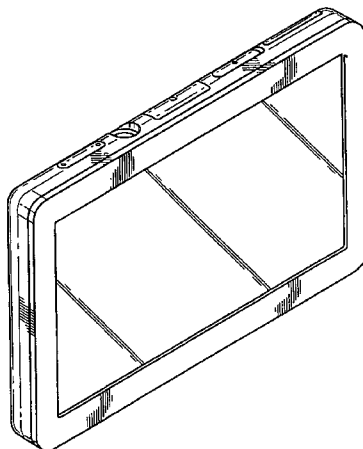
(57) **CLAIM**

The ornamental design for a mobile internet device, as shown and described.

DESCRIPTION

- FIG. 1 is a front perspective view of a mobile internet device showing my new design;
- FIG. 2 is a front elevational view thereof;
- FIG. 3 is a right side elevational view thereof, the left side elevational view being a mirror image thereof;
- FIG. 4 is a top plan view thereof;
- FIG. 5 is a bottom plan view thereof; and,
- FIG. 6 is a rear elevational view thereof.

1 Claim, 2 Drawing Sheets



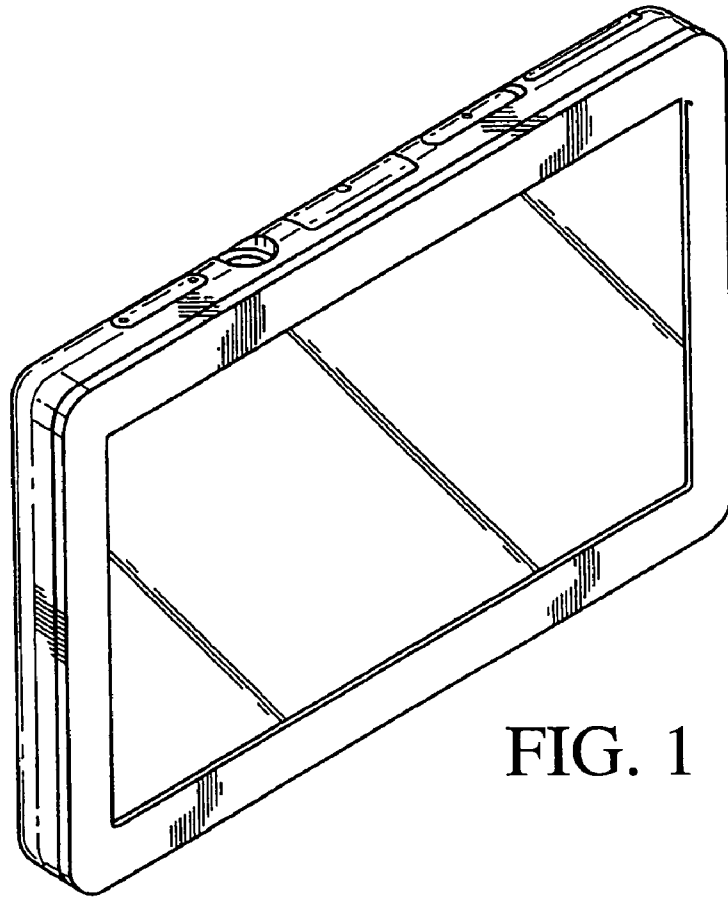


FIG. 1

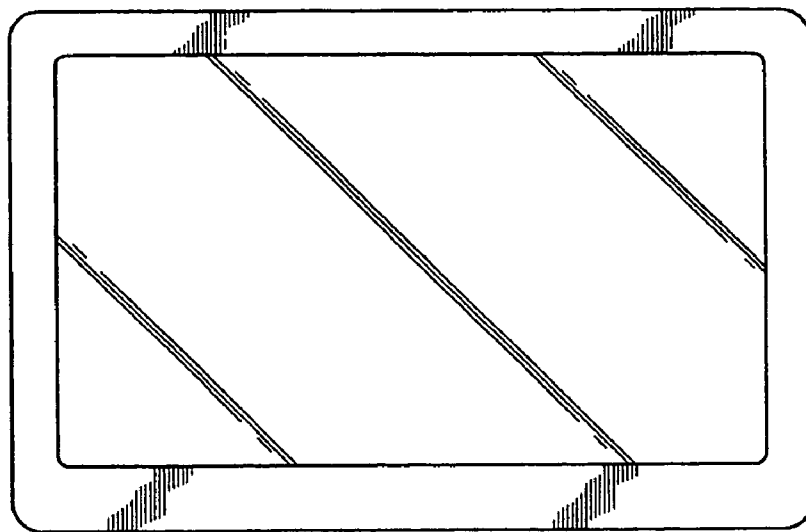


FIG. 2

FIG. 3



FIG. 4



FIG. 5

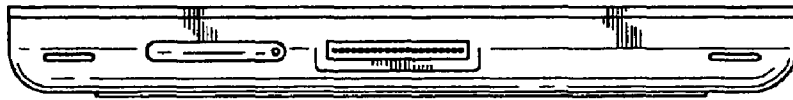


FIG. 6

