

(12) NACH DEM VERTRAG ÜBER DIE INTERNATIONALE ZUSAMMENARBEIT AUF DEM GEBIET DES
PATENTWESENS (PCT) VERÖFFENTLICHTE INTERNATIONALE ANMELDUNG

(19) Weltorganisation für geistiges
Eigentum

Internationales Büro

(43) Internationales
Veröffentlichungsdatum

30. Juni 2016 (30.06.2016)



W I P O I P C T



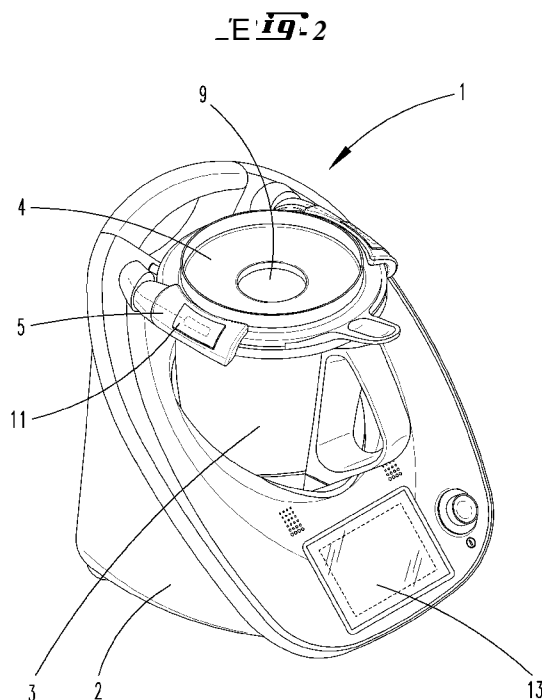
(10) Internationale Veröffentlichungsnummer
WO 2016/102235 A3

- (51) **Internationale Patentklassifikation:**
A47J 36/10 (2006.01) A47J 27/00 (2006.01) (DE). **HILGERS, Stefan;** Pausmühlenstraße 31, 45357 Essen (DE).
- (21) **Internationales Aktenzeichen:** PCT/EP20 15/0797 15 (74) **Anwälte: MÜLLER, Enno** et al; Rieder & Partner, Corneliusstraße 45, 42329 Wuppertal (DE).
- (22) **Internationales Anmeldedatum:** 15. Dezember 2015 (15.12.2015) (81) **Bestimmungsstaaten** (soweit nicht anders angegeben, für jede verfügbare nationale Schutzrechtsart): AE, AG, AL, AM, AO, AT, AU, AZ, BA, BB, BG, BH, BN, BR, BW, BY, BZ, CA, CH, CL, CN, CO, CR, CU, CZ, DE, DK, DM, DO, DZ, EC, EE, EG, ES, FI, GB, GD, GE, GH, GM, GT, HN, HR, HU, ID, IL, IN, IR, IS, JP, KE, KG, KN, KP, KR, KZ, LA, LC, LK, LR, LS, LU, LY, MA, MD, ME, MG, MK, MN, MW, MX, MY, MZ, NA, NG, NI, NO, NZ, OM, PA, PE, PG, PH, PL, PT, QA, RO, RS, RU, RW, SA, SC, SD, SE, SG, SK, SL, SM, ST, SV, SY, TH, TJ, TM, TN, TR, TT, TZ, UA, UG, US, UZ, VC, VN, ZA, ZM, ZW.
- (25) **Einreichungssprache:** Deutsch
- (26) **Veröffentlichungssprache:** Deutsch
- (30) **Angaben zur Priorität:**
10 2014 119 315.6
22. Dezember 2014 (22.12.2014) DE
- (71) **Anmelder: VORWERK & CO. INTERHOLDING GMBH** [DE/DE]; Mühlenweg 17-37, 42275 Wuppertal (DE).
- (72) **Erfinder: KRAUT-REINKOBER, Stefan;** Grüner Weg 138, 51375 Leverkusen (DE). **LANG, Torsten;** Kohlbusch 4, 42657 Solingen (DE). **HACKERT, Georg;** Ringstraße 33, 44869 Bochum (DE). **SAUERWALD, Andres;** Bernhard-Poether-Weg 20, 46238 Bottrop (DE). **SCHOMACHER, Jutta;** Bausenhaus 5, 42489 Wülfrath
- (84) **Bestimmungsstaaten** (soweit nicht anders angegeben, für jede verfügbare regionale Schutzrechtsart): ARIPO (BW, GH, GM, KE, LR, LS, MW, MZ, NA, RW, SD, SL, ST, SZ, TZ, UG, ZM, ZW), eurasisches (AM, AZ, BY, KG, KZ, RU, TJ, TM), europäisches (AL, AT, BE, BG, CH, CY, CZ, DE, DK, EE, ES, FI, FR, GB, GR, HR, HU, IE,

[Fortsetzung auf der nächsten Seite]

(54) **Title:** FOOD PROCESSOR, IN PARTICULAR MIXING DEVICE

(54) **Bezeichnung :** KÜCHENMASCHINE, INSBESONDERE MIXGERÄT



Gefäß (3) und/oder dem Deckel (4) ausgebildet ist.

(57) **Abstract:** The invention relates to a food processor (1), in particular a mixing device, comprising a housing (2) for accommodating a receptacle (3) and a cover (4) that closes the receptacle (3), and a locking mechanism for interlocking the receptacle (3) with the cover (4); the locking mechanism includes a locking element (5), especially a locking roller, which can be moved relative to the receptacle (3) and/or the cover (4) from an unlocking position into a locking position and *vice versa*. In order to further develop food processors of said type, the locking element (5), apart from or in addition to interlocking the receptacle (3) with the cover (4), is designed to have a subsidiary effect on the receptacle (3) and/or the cover (4) or to subsidiarily interact with the receptacle (3) and/or the cover (4).

(57) **Zusammenfassung:** Die Erfindung betrifft zunächst eine Küchenmaschine (1), insbesondere Mixgerät, mit einem Gehäuse (2) zur Anordnung eines Gefäßes (3) und eines das Gefäß (3) verschließenden Deckels (4), und mit einer Verriegelungseinrichtung zur Verriegelung des Gefäßes (3) mit dem Deckel (4), wobei die Verriegelungseinrichtung ein Verriegelungselement (5), insbesondere eine Verriegelungswalze, aufweist, welches relativ zu dem Gefäß (3) und/ oder dem Deckel (4) von einer Entriegelungs Stellung in eine Verriegelungs Stellung und umgekehrt verlagerbar ist. Um Küchenmaschinen der in Rede stehenden Art weiterzubilden, wird vorgeschlagen, dass das Verriegelungselement (5) neben der oder zusätzlich zu der Funktion der Verriegelung des Gefäßes (3) mit dem Deckel (4) für eine ergänzende Einwirkung auf das Gefäß (3) und/oder den Deckel (4) oder für eine ergänzende Zusammenwirkung mit dem

WO 2016/102235 A3

IS, IT, LT, LU, LV, MC, MK, MT, NL, NO, PL, PT, RO, RS, SE, SI, SK, SM, TR), OAPI (BF, BJ, CF, CG, CI, CM, GA, GN, GQ, GW, KM, ML, MR, NE, SN, TD, TG).

— vor Ablauf der für Änderungen der Ansprüche geltenden Frist; Veröffentlichung wird wiederholt, falls Änderungen eingehen (Regel 48 Absatz 2 Buchstabe h)

Veröffentlicht:

— mit internationalem Recherchenbericht (Artikel 21 Absatz 3)

(88) Veröffentlichungsdatum des internationalen Recherchenberichts:

29. September 2016

INTERNATIONAL SEARCH REPORT

International application No
PCT/EP2015/079715

A. CLASSIFICATION OF SUBJECT MATTER
 INV. A47J36/10 A47J27/00
 ADD.
 According to International Patent Classification (IPC) onto both national Classification and IPC

B. FIELDS SEARCHED
 Minimum documentation searched (Classification System followed by Classification Symbols)
 A47J

Documentation searched other than minimum documentation to the extent that such documents are included in the fields searched

Electronic data base consulted during the international search (name of data base and, where practicable, search terms used)
 EPO-Internal , WPI Data

C. DOCUMENTS CONSIDERED TO BE RELEVANT

Category*	Citation of document, with indication, where appropriate, of the relevant passages	Relevant to Claim No.
X	US 2013/206771 AI (ARNOLD HANS-PETER [DE] ET AL) 15 August 2013 (2013-08-15) paragraphs [0012] - [0014] ; Cl aims ; f i g u r e s -----	1, 2, 6
X	EP 2 698 088 AI (VORWERK CO INTERHOLDING [DE]) 19 February 2014 (2014-02-19) paragraphs [0004] , [0013] , [0030] , [0037] - [0048] ; Cl aims ; f i g u r e s -----	1-3 , 6
X	EP 2 371 251 AI (VORWERK CO INTERHOLDING [DE]) 5 October 2011 (2011-10-05) Cl aims ; f i g u r e s -----	1, 2, 6
X	DE 10 2010 016248 AI (VORWERK CO INTERHOLDING [DE]) 6 October 2011 (2011-10-06) Cl aims ; f i g u r e s -----	1, 2, 6

Further documents are listed in the continuation of Box C.

See patent family annex.

* Special categories of cited documents :

"A" document defining the general State of the art which is not considered to be of particular relevance

"E" earlier application or patent but published on or after the international filing date

"L" document which may throw doubts on priority claim(s) or which is cited to establish the publication date of another citation or other special reason (as specified)

"O" document referring to an oral disclosure, use, exhibition or other means

"P" document published prior to the international filing date but later than the priority date claimed

"T" later document published after the international filing date or priority date and not in conflict with the application but cited to understand the principle or theory underlying the invention

"X" document of particular relevance; the claimed invention cannot be considered novel or cannot be considered to involve an inventive step when the document is taken alone

"Y" document of particular relevance; the claimed invention cannot be considered to involve an inventive step when the document is combined with one or more other such documents, such combination being obvious to a person skilled in the art

"&" document member of the same patent family

Date of the actual completion of the international search

3 August 2016

Date of mailing of the international search report

12/08/2016

Name and mailing address of the ISA/

European Patent Office, P.B. 5818 Patentlaan 2
 NL - 2280 HV Rijswijk
 Tel. (+31-70) 340-2040,
 Fax: (+31-70) 340-3016

Authorized officer

Acerbi s, Gi orgi o

INTERNATIONAL SEARCH REPORT

International application No
PCT/EP2015/079715

C(Continuation). DOCUMENTS CONSIDERED TO BE RELEVANT		
Category*	Citation of document, with indication, where appropriate, of the relevant passages	Relevant to Claim No.
X	wo 2013/165182 AI (KIM W00 HYEOP [KR]) 7 November 2013 (2013-11-07) abstract; figures -----	1,2,4-6
X	US 676 603 A (DRAKE AFTON HI LTON [US]) 18 June 1901 (1901-06-18) the whole document -----	1,2,4-6
X	wo 2014/026866 AI (VORWERK CO INTERHOLDING [DE]) 20 February 2014 (2014-02-20)	1,2,7,16
Y	page 16, line 6 - line 10 page 7, line 18 - page 8, line 19 page 20, line 7 - line 15; Claims ; figures -----	8
Y	DE 41 33 069 AI (GAGGENAU WERKE [DE]) 8 April 1993 (1993-04-08) the whole document -----	8
X	US 2014/348987 AI (CHENG STANLEY KIN SUI [US] ET AL) 27 November 2014 (2014-11-27) Paragraph [0020] ; Claims ; figures -----	1,7,8
X	EP 2 522 261 AI (VORWERK CO INTERHOLDING [DE]) 14 November 2012 (2012-11-14) paragraphs [0009] , [0063] , [0051] ; Claims ; figures -----	1,2,7,8, 16
X	wo 2014/083029 AI (VORWERK CO INTERHOLDING [DE]) 5 June 2014 (2014-06-05) page 2, line 23 - page 3, line 27 page 10, line 14 - line 28; Claims ; figures -----	9,11,13, 14
X	US 2011/253693 AI (LYONS GEORGE [CA] ET AL) 20 October 2011 (2011-10-20)	9
A	paragraphs [0007] , [0056] , [0059] , [0060] ; Claims ; figures -----	15
X	wo 2014/021710 A2 (PATENT 2 PRODUCT B V [NL]) 6 February 2014 (2014-02-06) page 8, line 29 - page 11, line 8 Claims ; figures -----	9,11,13, 14,16
X	US 2014/286120 AI (KOLAR DAVID [US]) 25 September 2014 (2014-09-25)	9,11,13, 14
A	paragraphs [0022] , [0036] , [0037] , [0040] ; Claims ; figures -----	10,12
A	DE 20 2004 001460 UI (DEBAG DEUTSCHE BACKOFENBAU [DE]) 15 April 2004 (2004-04-15) paragraphs [0004] , [0006] , [0008] , [0009] ; Claims ; figures -----	15
	-/--	

INTERNATIONAL SEARCH REPORT

International application No
PCT/EP2015/079715

C(Continuation). DOCUMENTS CONSIDERED TO BE RELEVANT		
Category*	Citation of document, with indication, where appropriate, of the relevant passages	Relevant to Claim No.
A	US 6 433 693 B1 (MATHEWS JR HARRY KIRK [US]) 13 August 2002 (2002-08-13) column 4, line 6 - line 35; Claims ; figures -----	15
A	wo 01/56436 A2 (STRIX LTD [GB]; GARVEY VINCENT JOSEPH [GB]; COSGROVE PAUL [GB]) 9 August 2001 (2001-08-09) page 6, line 30 - page 7, line 4; Claims ; figures -----	15
X	US 4 649 810 A (WONG DON M [US]) 17 March 1987 (1987-03-17) column 2, line 9 - line 29; Claims ; figures -----	16
X	DE 10 2009 058258 A1 (VORWERK CO INTERHOLDING [DE]) 16 June 2011 (2011-06-16) paragraphs [0003] - [0006], [0012], [0013], [0016]; Claims ; figures -----	16
X	US 3 071 307 A (KELLER ROBERT G) 1 January 1963 (1963-01-01)	17
A	column 1, line 13 - line 16 column 2, line 53 - line 57; Claims ; figures -----	18-20
X	US 2008/314258 A1 (MARTIN SCOTT [US]) 25 December 2008 (2008-12-25)	18-20
A	Paragraph [0021]; Claims ; figures -----	17

INTERNATIONAL SEARCH REPORT

International application No.

PCT/ EP2Q 15/Q797 15

Box No. II Observation« where certain Claims were found insearchable (Continuation of item 2 of first sheet)

This international search report has not been established in respect of certain claims under Article 17(2)(a) for the following reasons:

1. Claims Nos.:
because they relate to subject matter not required to be searched by this Authority, namely :

2. Claims Nos.:
because they relate to parts of the international application that do not comply with the prescribed requirements to such an extent that no meaningful international search can be carried out, specifically:

3. Claims Nos.:
because they are dependent claims and are not drafted in accordance with the second and third sentences of Rule 6.4(a).

Box No. III Observation« where unity of invention is lacking (Continuation of item 3 of first sheet)

This International Searching Authority found multiple inventions in this international application, as follows:

see additional sheet

1. As all required additional search fees were timely paid by the applicant this international search report Covers all searchable claims.
2. As all searchable claims could be searched without effort justifying additional fees, this Authority did not invite payment of additional fees.
3. As only some of the required additional search fees were timely paid by the applicant, this international search report Covers only those claims for which fees were paid, specifically claims Nos.:

4. No required additional search fees were timely paid by the applicant. Consequently, this international search report is restricted to the invention first mentioned in the claims; it is covered by claims Nos. :

Remark or Protest

- The additional search fees were accompanied by the applicant's protest and, where applicable, the payment of a protest fee.
- The additional search fees were accompanied by the applicant's protest but the applicable protest fee was not paid within the time limit specified in the invitation.
- No protest accompanied the payment of additional search fees.

The International Searching Authority has found that the international application contains multiple (groups of) inventions, as follows:

1. Claims 1, 2, 6

Food processor comprising a locking mechanism, wherein the locking element, apart from or in addition to interlocking the receptacle with the cover, is designed to have a subsidiary effect.

2. Claims 3-5

Food processor comprising a locking mechanism, wherein the locking element is operatively connected to a holding device or a closure device.

3. Claims 7, 8

Food processor comprising a locking mechanism, wherein the locking mechanism is a timing control or a temperature control.

4. Claims 9-14

Food processor comprising a locking mechanism and a measuring device.

5. Claim 15

Food processor comprising sound transducer.

6. Claim 16

Food processor comprising an evaluation and control device.

7. Claims 17-20

Insertion receptacle made of cardboard or plastic.

-

INTERNATIONAL SEARCH REPORT

Information on patent family members

International application No

PCT/EP2015/079715

Patent document cited in search report	Publication date	Patent family member(s)	Publication date
US 2013206771	AI 15-08-2013	AU 2011310829 AI CN 103249338 A DE 102011051149 AI EP 2621318 AI ES 2496290 T3 PT 2621318 E TW 201221098 A US 2013206771 AI WO 2012041660 AI	11-04-2013 14-08-2013 05-04-2012 07-08-2013 18-09-2014 02-09-2014 01-06-2012 15-08-2013 05-04-2012
EP 2698088	AI 19-02-2014	CN 103720386 A EP 2698088 AI EP 2813164 AI EP 2813165 AI ES 2530844 T3 ES 2549550 T3 ES 2553218 T3 PT 2698088 E PT 2813164 E PT 2813165 E	16-04-2014 19-02-2014 17-12-2014 17-12-2014 06-03-2015 29-10-2015 07-12-2015 10-02-2015 15-01-2016 21-10-2015
EP 2371251	AI 05-10-2011	CN 102204793 A DE 102011000219 AI EP 2371251 AI	05-10-2011 06-10-2011 05-10-2011
DE 102010016248	AI 06-10-2011	NONE	
WO 2013165182	AI 07-11-2013	CN 104507367 A DE 112013002275 T5 JP 2015514538 A KR 101237429 B1 US 2015053695 AI WO 2013165182 AI	08-04-2015 05-03-2015 21-05-2015 26-02-2013 26-02-2015 07-11-2013
US 676603	A 18-06-1901	NONE	
WO 2014026866	AI 20-02-2014	AU 2013304198 AI CN 104540429 A DE 102013012192 AI EP 2884875 AI ES 2577128 T3 TW 201410193 A US 2015208868 AI WO 2014026866 AI	05-03-2015 22-04-2015 13-03-2014 24-06-2015 13-07-2016 16-03-2014 30-07-2015 20-02-2014
DE 4133069	AI 08-04-1993	NONE	
US 2014348987	AI 27-11-2014	AU 2014268532 AI CA 2915017 AI CN 104287616 A CN 204410529 U CN 204483841 U CN 204635992 U EP 2999382 AI HK 1201035 AI JP 2016519415 A KR 20160026870 A SG 11201509517Y A	10-12-2015 27-11-2014 21-01-2015 24-06-2015 22-07-2015 16-09-2015 30-03-2016 21-08-2015 30-06-2016 09-03-2016 30-12-2015

INTERNATIONAL SEARCH REPORT

Information on patent family members

International application No

PCT/EP2015/079715

Patent document cited in search report	Publication date	Patent family member(s)	Publication date
		TW M502428 U	11-06-2015
		TW 201505590 A	16-02-2015
		US 2014348987 AI	27-11-2014
		WO 2014190160 AI	27-11-2014
EP 2522261	AI 14-11-2012	CN 102860747 A	09-01-2013
		DE 102012103882 AI	15-11-2012
		EP 2522261 AI	14-11-2012
WO 2014083029	AI 05-06-2014	AU 2013351234 AI	11-06-2015
		CN 104936494 A	23-09-2015
		DE 102013113084 AI	05-06-2014
		EP 2925198 AI	07-10-2015
		TW 201438647 A	16-10-2014
		US 2015305566 AI	29-10-2015
		WO 2014083029 AI	05-06-2014
US 2011253693	AI 20-10-2011	US 2011253693 AI	20-10-2011
		US 2011254939 AI	20-10-2011
		US 2014078052 AI	20-03-2014
WO 2014021710	A2 06-02-2014	NONE	
US 2014286120	AI 25-09-2014	CN 105246581 A	13-01-2016
		EP 2969162 AI	20-01-2016
		TW 201436750 A	01-10-2014
		US 2014286120 AI	25-09-2014
		WO 2014144638 AI	18-09-2014
DE 202004001460	U1 15-04-2004	NONE	
US 6433693	B1 13-08-2002	NONE	
WO 0156436	A2 09-08-2001	AU 2869701 A	14-08-2001
		CN 1364061 A	14-08-2002
		CN 1631305 A	29-06-2005
		CN 1631306 A	29-06-2005
		CN 1633214 A	29-06-2005
		CN 101322615 A	17-12-2008
		DE 20119638 U1	04-04-2002
		GB 2358971 A	08-08-2001
		GB 2366459 A	06-03-2002
		WO 0156436 A2	09-08-2001
US 4649810	A 17-03-1987	AU 577023 B2	08-09-1988
		AU 6334486 A	10-03-1987
		CA 1260519 A	26-09-1989
		CN 86105228 A	29-04-1987
		DK 202587 A	19-06-1987
		EP 0235258 AI	09-09-1987
		JP H0418846 B2	27-03-1992
		JP S63501617 A	23-06-1988
		US 4649810 A	17-03-1987
		WO 8701021 AI	26-02-1987
DE 102009058258	AI 16-06-2011	AU 2010330199 AI	02-08-2012
		CN 102651991 A	29-08-2012
		DE 102009058258 AI	16-06-2011

INTERNATIONAL SEARCH REPORT

Information on patent family members

International application No

PCT/EP2015/079715

Patent document cited in search report	Publication date	Patent family member(s)	Publication date
		EP 2509470 AI	17-10-2012
		ES 2431949 T3	28-11-2013
		PT 2509470 E	17-10-2013
		TW 201138688 A	16-11-2011
		WO 2011069833 AI	16-06-2011

US 3071307	A	01-01-1963	NONE

US 2008314258	AI	25-12-2008	US 2008314258 AI 25-12-2008
			WO 2008016354 AI 07-02-2008

A. KLASSIFIZIERUNG DES ANMELDUNGSGEGENSTANDES
 INV. A47J36/10 A47J27/00
 ADD.

Nach der Internationalen Patentklassifikation (IPC) oder nach der nationalen Klassifikation und der IPC

B. RECHERCHIERTE GEBIETE

Recherchiertes Mindestprüfverfahren (Klassifikationssystem und Klassifikationssymbole)
 A47J

Recherchierte, aber nicht zum Mindestprüfverfahren gehörende Veröffentlichungen, soweit diese unter die recherchierten Gebiete fallen

Während der internationalen Recherche konsultierte elektronische Datenbank (Name der Datenbank und evtl. verwendete Suchbegriffe)

EPO-Internal, WPI Data

C. ALS WESENTLICH ANGESEHENE UNTERLAGEN

Kategorie*	Bezeichnung der Veröffentlichung, soweit erforderlich unter Angabe der in Betracht kommenden Teile	Betr. Anspruch Nr.
X	US 2013/206771 AI (ARNOLD HANS-PETER [DE] ET AL) 15. August 2013 (2013-08-15) Absätze [0012] - [0014]; Ansprüche; Abbildungen	1, 2, 6
X	EP 2 698 088 AI (VORWERK CO INTERHOLDING [DE]) 19. Februar 2014 (2014-02-19) Absätze [0004], [0013], [0030], [0037] - [0048]; Ansprüche; Abbildungen	1-3, 6
X	EP 2 371 251 AI (VORWERK CO INTERHOLDING [DE]) 5. Oktober 2011 (2011-10-05) Ansprüche; Abbildungen	1, 2, 6
X	DE 10 2010 016248 AI (VORWERK CO INTERHOLDING [DE]) 6. Oktober 2011 (2011-10-06) Ansprüche; Abbildungen	1, 2, 6

Weitere Veröffentlichungen sind der Fortsetzung von Feld C zu entnehmen Siehe Anhang Patentfamilie

* Besondere Kategorien von angegebenen Veröffentlichungen:
 "A" Veröffentlichung, die den allgemeinen Stand der Technik definiert, aber nicht als besonders bedeutsam anzusehen ist
 "E" frühere Anmeldung oder Patent, die bzw. das jedoch erst am oder nach dem internationalen Anmeldedatum veröffentlicht worden ist
 "L" Veröffentlichung, die geeignet ist, einen Prioritätsanspruch zweifelhaft erscheinen zu lassen, oder durch die das Veröffentlichungsdatum einer anderen im Recherchenbericht genannten Veröffentlichung belegt werden soll oder die aus einem anderen besonderen Grund angegeben ist (wie ausgeführt)
 "O" Veröffentlichung, die sich auf eine mündliche Offenbarung, eine Benutzung, eine Ausstellung oder andere Maßnahmen bezieht
 "P" Veröffentlichung, die vor dem internationalen Anmeldedatum, aber nach dem beanspruchten Prioritätsdatum veröffentlicht worden ist
 "T" Spätere Veröffentlichung, die nach dem internationalen Anmeldedatum oder dem Prioritätsdatum veröffentlicht worden ist und mit der Anmeldung nicht kollidiert, sondern nur zum Verständnis des der Erfindung zugrundeliegenden Prinzips oder der ihr zugrundeliegenden Theorie angegeben ist
 "X" Veröffentlichung von besonderer Bedeutung; die beanspruchte Erfindung kann allein aufgrund dieser Veröffentlichung nicht als neu oder auf erfinderischer Tätigkeit beruhend betrachtet werden
 "Y" Veröffentlichung von besonderer Bedeutung; die beanspruchte Erfindung kann nicht als auf erfinderischer Tätigkeit beruhend betrachtet werden, wenn die Veröffentlichung mit einer oder mehreren Veröffentlichungen dieser Kategorie in Verbindung gebracht wird und diese Verbindung für einen Fachmann naheliegend ist
 "&" Veröffentlichung, die Mitglied derselben Patentfamilie ist

Datum des Abschlusses der internationalen Recherche	Absenddatum des internationalen Recherchenberichts
3. August 2016	12/08/2016

Name und Postanschrift der Internationalen Recherchenbehörde Europäisches Patentamt, P.B. 5818 Patentlaan 2 NL - 2280 HV Rijswijk Tel. (+31-70) 340-2040, Fax: (+31-70) 340-3016	Bevollmächtigter Bediensteter Acerbi s, Gi orgi o
--	--

C. (Fortsetzung) ALS WESENTLICH ANGESEHENE UNTERLAGEN		
Kategorie*	Bezeichnung der Veröffentlichung, soweit erforderlich unter Angabe der in Betracht kommenden Teile	Betr. Anspruch Nr.
X	wo 2013/165182 AI (KIM W00 HYEOP [KR]) 7. November 2013 (2013-11-07) Zusammenfassung; Abbi l dungen -----	1, 2, 4-6
X	US 676 603 A (DRAKE AFTON HI LTON [US]) 18. Juni 1901 (1901-06-18) das ganze Dokument -----	1, 2, 4-6
X	wo 2014/026866 AI (VORWERK CO INTERHOLDING [DE]) 20. Februar 2014 (2014-02-20)	1, 2, 7, 16
Y	Sei te 16, Zei le 6 - Zei le 10 Sei te 7, Zei le 18 - Sei te 8, Zei le 19 Sei te 20, Zei le 7 - Zei le 15; Ansprüche; Abbi 1 dungen -----	8
Y	DE 41 33 069 AI (GAGGENAU WERKE [DE]) 8. Apri l 1993 (1993-04-08) das ganze Dokument -----	8
X	US 2014/348987 AI (CHENG STANLEY KIN SUI [US] ET AL) 27. November 2014 (2014-11-27) Absatz [0020] ; Ansprüche; Abbi l dungen -----	1, 7, 8
X	EP 2 522 261 AI (VORWERK CO INTERHOLDING [DE]) 14. November 2012 (2012-11-14) Absätze [0009] , [0063] , [0051] ; Ansprüche; Abbi l dungen -----	1, 2, 7, 8, 16
X	wo 2014/083029 AI (VORWERK CO INTERHOLDING [DE]) 5. Juni 2014 (2014-06-05) Sei te 2, Zei le 23 - Sei te 3, Zei le 27 Sei te 10, Zei le 14 - Zei le 28; Ansprüche; Abbi 1 dungen -----	9, 11, 13, 14
X	US 2011/253693 AI (LYONS GEORGE [CA] ET AL) 20. Oktober 2011 (2011-10-20)	9
A	Absätze [0007] , [0056] , [0059] , [0060] ; Ansprüche; Abbi l dungen -----	15
X	wo 2014/021710 A2 (PATENT 2 PRODUCT B V [NL]) 6. Februar 2014 (2014-02-06) Sei te 8, Zei le 29 - Sei te 11, Zei le 8 Ansprüche; Abbi l dungen -----	9, 11, 13, 14, 16
X	US 2014/286120 AI (KOLAR DAVID [US]) 25. September 2014 (2014-09-25)	9, 11, 13, 14
A	Absätze [0022] , [0036] , [0037] , [0040] ; Ansprüche; Abbi l dungen -----	10, 12
A	DE 20 2004 001460 UI (DEBAG DEUTSCHE BACKOFENBAU [DE]) 15. Apri l 2004 (2004-04-15) Absätze [0004] , [0006] , [0008] , [0009] ; Ansprüche; Abbi l dungen -----	15
	-/- .	

C. (Fortsetzung) ALS WESENTLICH ANGESEHENE UNTERLAGEN		
Kategorie*	Bezeichnung der Veröffentlichung, soweit erforderlich unter Angabe der in Betracht kommenden Teile	Betr. Anspruch Nr.
A	US 6 433 693 B1 (MATHEWS JR HARRY KIRK [US]) 13. August 2002 (2002-08-13) Spalte 4, Zeile 6 - Zeile 35; Ansprüche; Abbildungen	15

A	wo 01/56436 A2 (STRIX LTD [GB] ; GARVEY VINCENT JOSEPH [GB] ; COSGROVE PAUL [GB]) 9. August 2001 (2001-08-09) Seite 6, Zeile 30 - Seite 7, Zeile 4; Ansprüche; Abbildungen	15

X	US 4 649 810 A (WONG DON M [US]) 17. März 1987 (1987-03-17) Spalte 2, Zeile 9 - Zeile 29; Ansprüche; Abbildungen	16

X	DE 10 2009 058258 A1 (VORWERK CO INTERHOLDING [DE]) 16. Juni 2011 (2011-06-16) Absätze [0003] - [0006] , [0012] , [0013] , [0016] ; Ansprüche; Abbildungen	16

X	US 3 071 307 A (KELLER ROBERT G) 1. Januar 1963 (1963-01-01)	17
A	Spalte 1, Zeile 13 - Zeile 16 Spalte 2, Zeile 53 - Zeile 57; Ansprüche; Abbildungen	18-20

X	US 2008/314258 A1 (MARTIN SCOTT [US]) 25. Dezember 2008 (2008-12-25)	18-20
A	Absatz [0021] ; Ansprüche; Abbildungen	17

Feld Nr. II Bemerkungen zu den Ansprüchen, die sich als nicht recherchierbar erwiesen haben (Fortsetzung von Punkt 2 auf Blatt 1)

Gemäß Artikel 17(2)a) wurde aus folgenden Gründen für bestimmte Ansprüche kein internationaler Recherchenbericht erstellt:

1. Ansprüche Nr. _____
weil sie sich auf Gegenstände beziehen, zu deren Recherche diese Behörde nicht verpflichtet ist, nämlich

2. Ansprüche Nr. _____
weil sie sich auf Teile der internationalen Anmeldung beziehen, die den vorgeschriebenen Anforderungen so wenig entsprechen, dass eine sinnvolle internationale Recherche nicht durchgeführt werden kann, nämlich

3. Ansprüche Nr. _____
weil es sich dabei um abhängige Ansprüche handelt, die nicht entsprechend Satz 2 und 3 der Regel 6.4 a) abgefasst sind.

Feld Nr. III Bemerkungen bei mangelnder Einheitlichkeit der Erfindung (Fortsetzung von Punkt 3 auf Blatt 1)

Diese Internationale Recherchenbehörde hat festgestellt, dass diese internationale Anmeldung mehrere Erfindungen enthält:

si ehe Zusatzblatt

1. Da der Anmelder alle erforderlichen zusätzlichen Recherchegebühren rechtzeitig entrichtet hat, erstreckt sich dieser internationale Recherchenbericht auf alle recherchierbaren Ansprüche.

2. Da für alle recherchierbaren Ansprüche die Recherche ohne einen Arbeitsaufwand durchgeführt werden konnte, der zusätzliche Recherchegebühr gerechtfertigt hätte, hat die Behörde nicht zur Zahlung solcher Gebühren aufgefordert.

3. Da der Anmelder nur einige der erforderlichen zusätzlichen Recherchegebühren rechtzeitig entrichtet hat, erstreckt sich dieser internationale Recherchenbericht nur auf die Ansprüche, für die Gebühren entrichtet worden sind, nämlich auf die Ansprüche Nr. _____

4. Der Anmelder hat die erforderlichen zusätzlichen Recherchegebühren nicht rechtzeitig entrichtet. Dieser internationale Recherchenbericht beschränkt sich daher auf die in den Ansprüchen zuerst erwähnte Erfindung; diese ist in folgenden Ansprüchen erfasst:

Bemerkungen hinsichtlich eines Widerspruchs

- Der Anmelder hat die zusätzlichen Recherchegebühren unter Widerspruch entrichtet und die gegebenenfalls erforderliche Widerspruchsgebühr gezahlt.
- Die zusätzlichen Recherchegebühren wurden vom Anmelder unter Widerspruch gezahlt, jedoch wurde die entsprechende Widerspruchsgebühr nicht innerhalb der in der Aufforderung angegebenen Frist entrichtet.
- Die Zahlung der zusätzlichen Recherchegebühren erfolgte ohne Widerspruch.

WEITERE ANGABEN

PCT/ISA/ 210

Die internationale Recherchenbehörde hat festgestellt, dass diese internationale Anmeldung mehrere (Gruppen von) Erfindungen enthält, nämlich:

1. Ansprüche: 1, 2, 6

Küchenmaschine mit einer Verriegelungseinrichtung wobei das Verriegelungselement neben der Funktion der Verriegelung des Gefäßes mit dem Deckel für eine ergänzende Einwirkung ausgebildet ist.

2. Ansprüche: 3-5

Küchenmaschine mit einer Verriegelungseinrichtung wobei das Verriegelungselement in Wirkverbindung mit einer Halteeinrichtung oder einer Verschlusseinrichtung steht

3. Ansprüche: 7, 8

Küchenmaschine mit einer Verriegelungseinrichtung wobei die Verriegelungseinrichtung eine Zeitsteuerung oder eine Temperatursteuerung zugeordnet ist

4. Ansprüche: 9-14

Küchenmaschine mit einer Verriegelungseinrichtung und eine Messeinrichtung

5. Anspruch : 15

Küchenmaschine mit einem Schalwandler

6. Anspruch : 16

Küchenmaschine mit einer Auswerte- und Steuereinrichtung

7. Ansprüche: 17-20

Einsatzgefäß aus Karton oder Kunststoff

INTERNATIONALER RECHERCHENBERICHT

Angaben zu Veröffentlichungen, die zur selben Patentfamilie gehören

Internationales Aktenzeichen

PCT/EP2015/079715

Im Recherchenbericht angeführtes Patentdokument	Datum der Veröffentlichung	Mitglied(er) der Patentfamilie	Datum der Veröffentlichung
US 2013206771	AI	15-08-2013	AU 2011310829 AI 11-04-2013
			CN 103249338 A 14-08-2013
			DE 102011051149 AI 05-04-2012
			EP 2621318 AI 07-08-2013
			ES 2496290 T3 18-09-2014
			PT 2621318 E 02-09-2014
			TW 201221098 A 01-06-2012
			US 2013206771 AI 15-08-2013
			WO 2012041660 AI 05-04-2012

EP 2698088	AI	19-02-2014	CN 103720386 A 16-04-2014
			EP 2698088 AI 19-02-2014
			EP 2813164 AI 17-12-2014
			EP 2813165 AI 17-12-2014
			ES 2530844 T3 06-03-2015
			ES 2549550 T3 29-10-2015
			ES 2553218 T3 07-12-2015
			PT 2698088 E 10-02-2015
			PT 2813164 E 15-01-2016
			PT 2813165 E 21-10-2015

EP 2371251	AI	05-10-2011	CN 102204793 A 05-10-2011
			DE 102011000219 AI 06-10-2011
			EP 2371251 AI 05-10-2011

DE 102010016248	AI	06-10-2011	KEINE

WO 2013165182	AI	07-11-2013	CN 104507367 A 08-04-2015
			DE 112013002275 T5 05-03-2015
			JP 2015514538 A 21-05-2015
			KR 101237429 B1 26-02-2013
			US 2015053695 AI 26-02-2015
			WO 2013165182 AI 07-11-2013

US 676603	A	18-06-1901	KEINE

WO 2014026866	AI	20-02-2014	AU 2013304198 AI 05-03-2015
			CN 104540429 A 22-04-2015
			DE 102013012192 AI 13-03-2014
			EP 2884875 AI 24-06-2015
			ES 2577128 T3 13-07-2016
			TW 201410193 A 16-03-2014
			US 2015208868 AI 30-07-2015
			WO 2014026866 AI 20-02-2014

DE 4133069	AI	08-04-1993	KEINE

US 2014348987	AI	27-11-2014	AU 2014268532 AI 10-12-2015
			CA 2915017 AI 27-11-2014
			CN 104287616 A 21-01-2015
			CN 204410529 U 24-06-2015
			CN 204483841 U 22-07-2015
			CN 204635992 U 16-09-2015
			EP 2999382 AI 30-03-2016
			HK 1201035 AI 21-08-2015
			JP 2016519415 A 30-06-2016
			KR 20160026870 A 09-03-2016
			SG 11201509517Y A 30-12-2015

INTERNATIONALER RECHERCHENBERICHT

Angaben zu Veröffentlichungen, die zur selben Patentfamilie gehören

Internationales Aktenzeichen

PCT/EP2015/079715

Im Recherchenbericht angeführtes Patentdokument	Datum der Veröffentlichung	Mitglied(er) der Patentfamilie	Datum der Veröffentlichung
		TW M502428 U	11-06-2015
		TW 201505590 A	16-02-2015
		US 2014348987 AI	27-11-2014
		WO 2014190160 AI	27-11-2014
EP 2522261	AI 14-11-2012	CN 102860747 A	09-01-2013
		DE 102012103882 AI	15-11-2012
		EP 2522261 AI	14-11-2012
WO 2014083029	AI 05-06-2014	AU 2013351234 AI	11-06-2015
		CN 104936494 A	23-09-2015
		DE 102013113084 AI	05-06-2014
		EP 2925198 AI	07-10-2015
		TW 201438647 A	16-10-2014
		US 2015305566 AI	29-10-2015
		WO 2014083029 AI	05-06-2014
US 2011253693	AI 20-10-2011	US 2011253693 AI	20-10-2011
		US 2011254939 AI	20-10-2011
		US 2014078052 AI	20-03-2014
WO 2014021710	A2 06-02-2014	KEINE	
US 2014286120	AI 25-09-2014	CN 105246581 A	13-01-2016
		EP 2969162 AI	20-01-2016
		TW 201436750 A	01-10-2014
		US 2014286120 AI	25-09-2014
		WO 2014144638 AI	18-09-2014
DE 202004001460	U1 15-04-2004	KEINE	
US 6433693	B1 13-08-2002	KEINE	
WO 0156436	A2 09-08-2001	AU 2869701 A	14-08-2001
		CN 1364061 A	14-08-2002
		CN 1631305 A	29-06-2005
		CN 1631306 A	29-06-2005
		CN 1633214 A	29-06-2005
		CN 101322615 A	17-12-2008
		DE 20119638 U1	04-04-2002
		GB 2358971 A	08-08-2001
		GB 2366459 A	06-03-2002
		WO 0156436 A2	09-08-2001
US 4649810	A 17-03-1987	AU 577023 B2	08-09-1988
		AU 6334486 A	10-03-1987
		CA 1260519 A	26-09-1989
		CN 86105228 A	29-04-1987
		DK 202587 A	19-06-1987
		EP 0235258 AI	09-09-1987
		JP H0418846 B2	27-03-1992
		JP S63501617 A	23-06-1988
		US 4649810 A	17-03-1987
		WO 8701021 AI	26-02-1987
DE 102009058258	AI 16-06-2011	AU 2010330199 AI	02-08-2012
		CN 102651991 A	29-08-2012
		DE 102009058258 AI	16-06-2011

INTERNATIONALER RECHERCHENBERICHT

Angaben zu Veröffentlichungen, die zur selben Patentfamilie gehören

Internationales Aktenzeichen

PCT/EP2015/079715

Im Recherchenbericht angeführtes Patentdokument	Datum der Veröffentlichung	Mitglied(er) der Patentfamilie	Datum der Veröffentlichung
		EP 2509470 AI	17-10-2012
		ES 2431949 T3	28-11-2013
		PT 2509470 E	17-10-2013
		TW 201138688 A	16-11-2011
		WO 2011069833 AI	16-06-2011

US 3071307	A	01-01-1963	KEINE

US 2008314258	AI	25-12-2008	US 2008314258 AI
			WO 2008016354 AI
			07-02-2008
