



US00D996330S

(12) **United States Design Patent**
Finney et al.

(10) **Patent No.:** **US D996,330 S**

(45) **Date of Patent:** **** Aug. 22, 2023**

(54) **VEHICLE DOOR**

(56) **References Cited**

(71) Applicant: **Jaguar Land Rover Limited**, Whitley
Coventry (GB)

U.S. PATENT DOCUMENTS

(72) Inventors: **Nicolas Finney**, Whitley Coventry
(GB); **Dan Bowen**, Whitley Coventry
(GB); **Simon Grand**, Whitley Coventry
(GB)

D556,111	S	*	11/2007	Levy	D12/196
D580,332	S	*	11/2008	Gueler	D12/196
D598,355	S	*	8/2009	Sato	D12/196
D636,317	S	*	4/2011	Matei	D12/196
D653,596	S	*	2/2012	Tomatsu	D12/196
D674,328	S	*	1/2013	Ikuma	D12/196
D686,957	S	*	7/2013	Kwon	D12/196
D695,663	S	*	12/2013	Suga	D12/196
D706,190	S	*	6/2014	Sakae	D12/196
D775,566	S	*	1/2017	Schneider	D12/196
D775,567	S	*	1/2017	Faghihzadeh	D12/196
D780,082	S	*	2/2017	Bae	D12/196
D781,194	S	*	3/2017	Bae	D12/196
D783,483	S	*	4/2017	Choi	D12/196
D785,529	S	*	5/2017	Kyung	D12/196
D785,531	S	*	5/2017	Lim	D12/196
D786,761	S	*	5/2017	Luk	D12/196
D801,246	S	*	10/2017	Lee	D12/196
D822,568	S	*	7/2018	Choi	D12/196

(73) Assignee: **Jaguar Land Rover Limited**, Whitley
Coventry (GB)

(**) Term: **15 Years**

(21) Appl. No.: **29/839,567**

(22) Filed: **May 23, 2022**

Related U.S. Application Data

(62) Division of application No. 29/656,251, filed on Jul.
11, 2018, now Pat. No. Des. 952,536.

Foreign Application Priority Data

Jan. 12, 2018	(EM)	004663839
Jan. 25, 2018	(EM)	004680825
Apr. 25, 2018	(EM)	005248580
Apr. 30, 2018	(EM)	005253499
Jul. 5, 2018	(EM)	005438009

(51) **LOC (14) Cl.** **12-16**

(52) **U.S. Cl.**
USPC **D12/196**
CPC **B62D 24/02** (2013.01)

(58) **Field of Classification Search**
USPC D12/90-92, 190, 195, 196
CPC B62D 24/00; B62D 24/02; B62D 25/02;
B62D 25/18; B62D 25/08; B62D 35/00;
B60J 5/04; B60R 19/02; B60R 19/04

See application file for complete search history.

(Continued)

Primary Examiner — Richard E Chilcot

(74) *Attorney, Agent, or Firm* — Wood Herron & Evans
LLP

(57) **CLAIM**

The ornamental design for a vehicle door, as shown and
described.

DESCRIPTION

FIG. 1 is a front right perspective view of a vehicle door
according to the present invention.

FIG. 2 is a rear left perspective view of the door shown in
FIG. 1.

FIG. 3 is a front view thereof.

FIG. 4 is a rear view thereof.

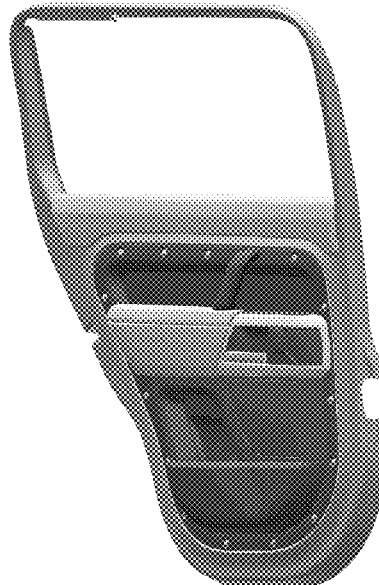
FIG. 5 is a right side view thereof.

FIG. 6 is a left side view thereof.

FIG. 7 is a top view thereof; and,

FIG. 8 is a bottom view thereof.

1 Claim, 8 Drawing Sheets



(56)

References Cited

U.S. PATENT DOCUMENTS

D823,766	S	*	7/2018	Han	D12/196
D827,534	S	*	9/2018	Simm	D12/196
D834,481	S	*	11/2018	Lim	D12/196
D840,307	S	*	2/2019	Chan	D12/196
D848,334	S	*	5/2019	Tomasson	D12/196
D860,895	S	*	9/2019	Lee	D12/196
D863,170	S	*	10/2019	Zipfel	D12/196
D867,951	S	*	11/2019	Izard	D12/196
D873,752	S	*	1/2020	Choi	D12/196
D889,346	S	*	7/2020	Warner	D12/196
D890,057	S	*	7/2020	Lim	D12/196
D890,670	S	*	7/2020	Oh	D12/196
D892,696	S	*	8/2020	Kim	D12/196
D900,678	S	*	11/2020	Grand	D12/91
D901,334	S	*	11/2020	Grand	D12/91
D901,351	S	*	11/2020	Kim	D12/196
D911,877	S	*	3/2021	Grand	D12/91
D913,158	S	*	3/2021	Grand	D12/91
D915,973	S	*	4/2021	Kim	D12/196
D928,053	S	*	8/2021	von Holzhausen	D12/196
D930,542	S	*	9/2021	Kim	D12/196
D930,544	S	*	9/2021	Lee	D12/196
D941,188	S	*	1/2022	Grand	D12/92
D952,536	S	*	5/2022	Finney	B62D 24/02 D12/196
D958,001	S	*	7/2022	Grand	D12/91
D958,002	S	*	7/2022	Grand	D12/91
D978,042	S	*	2/2023	Frascella	D12/196
2015/0035310	A1	*	2/2015	Yamaguchi	B60R 13/0206 296/153
2016/0114658	A1	*	4/2016	Yokota	B60J 10/45 49/504

* cited by examiner

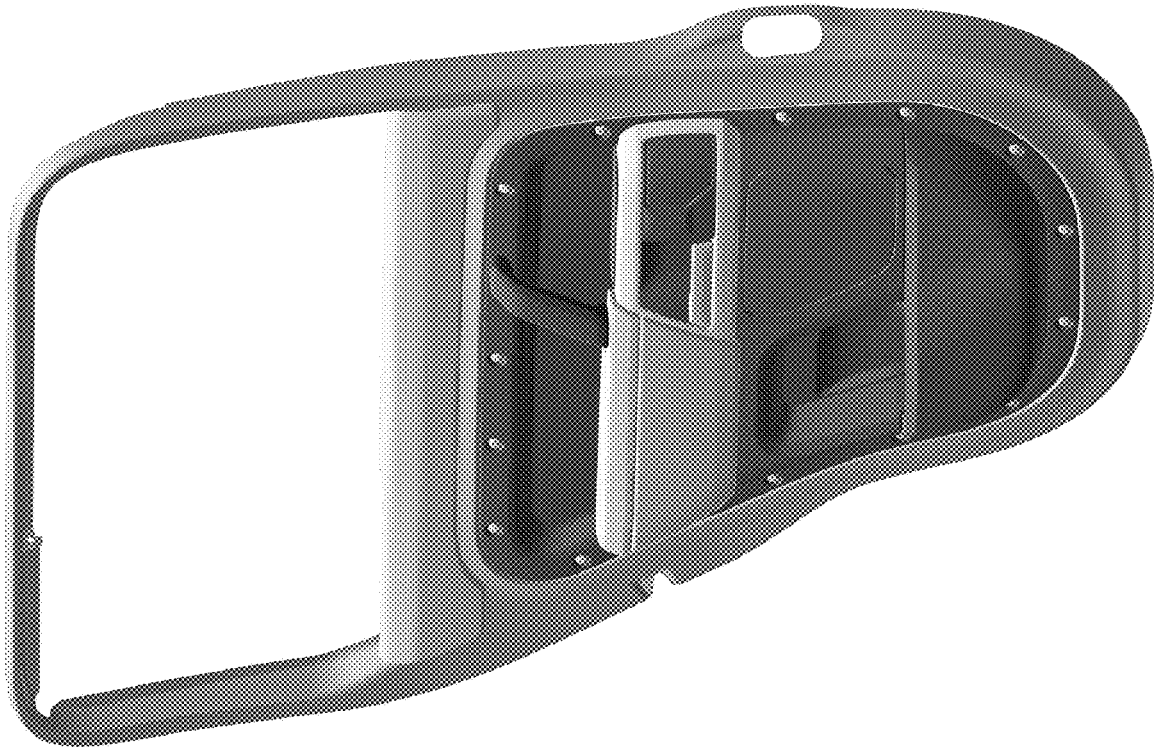


FIG. 1

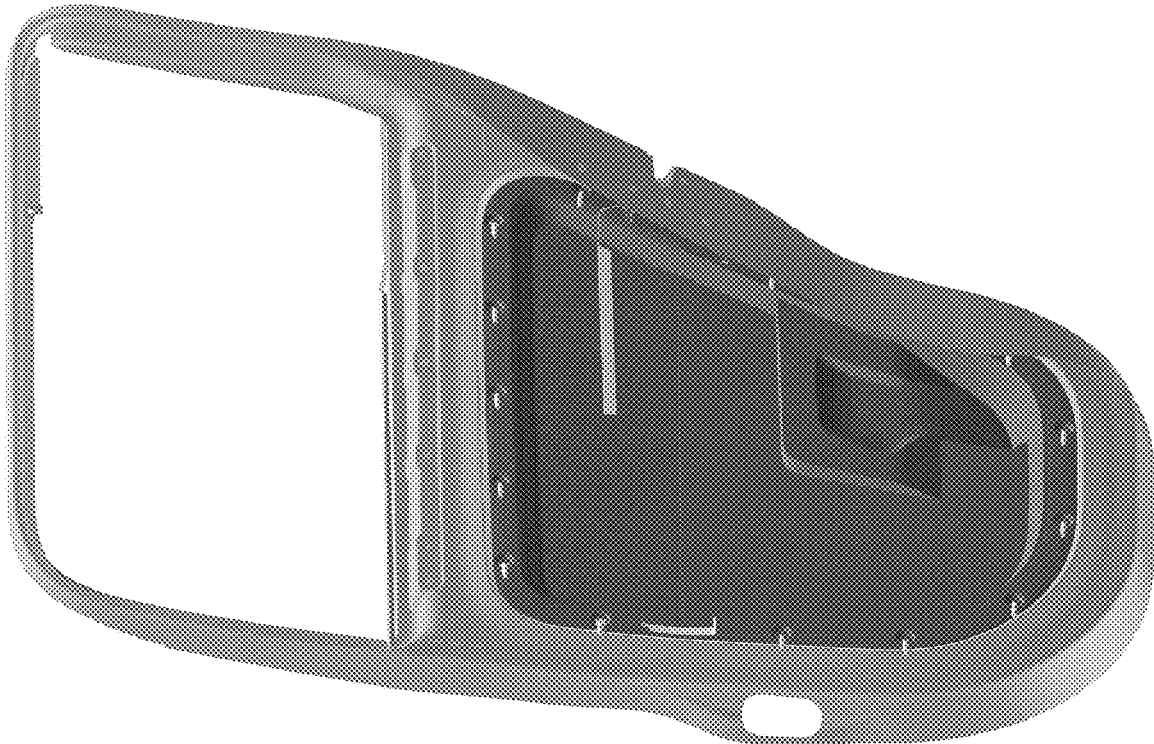


FIG. 2

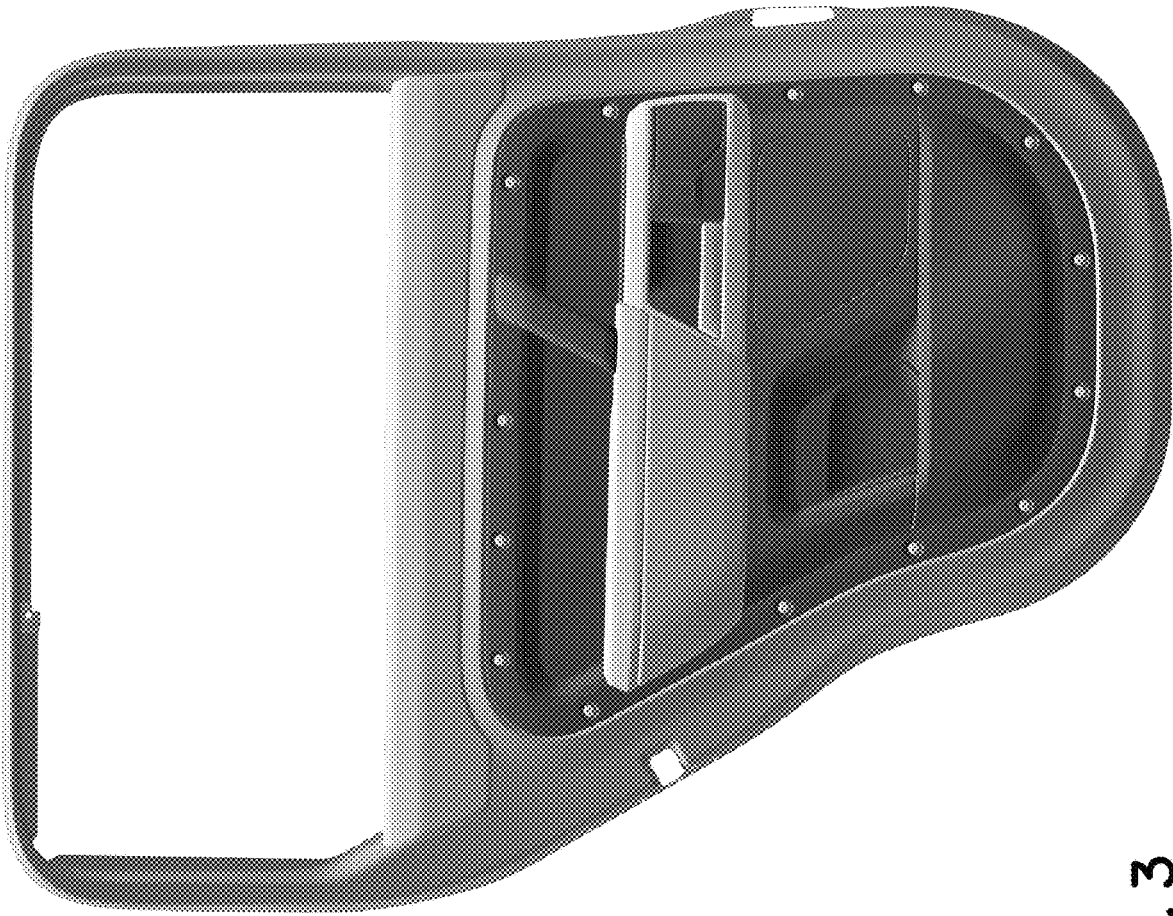


FIG. 3

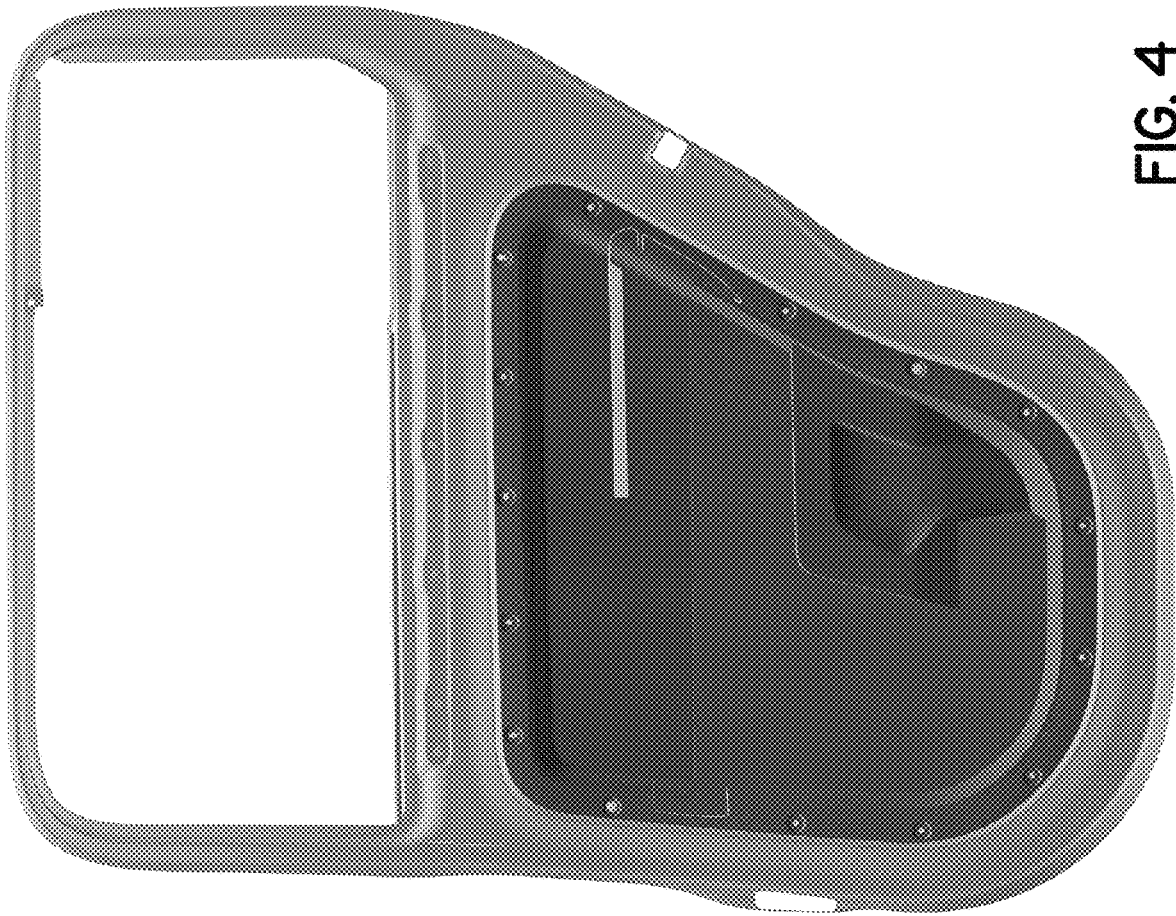


FIG. 4

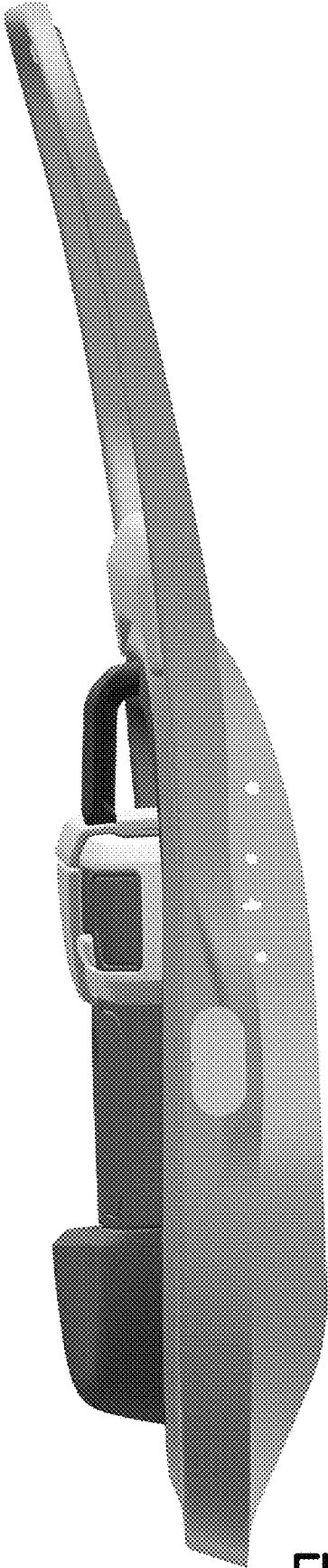


FIG. 5

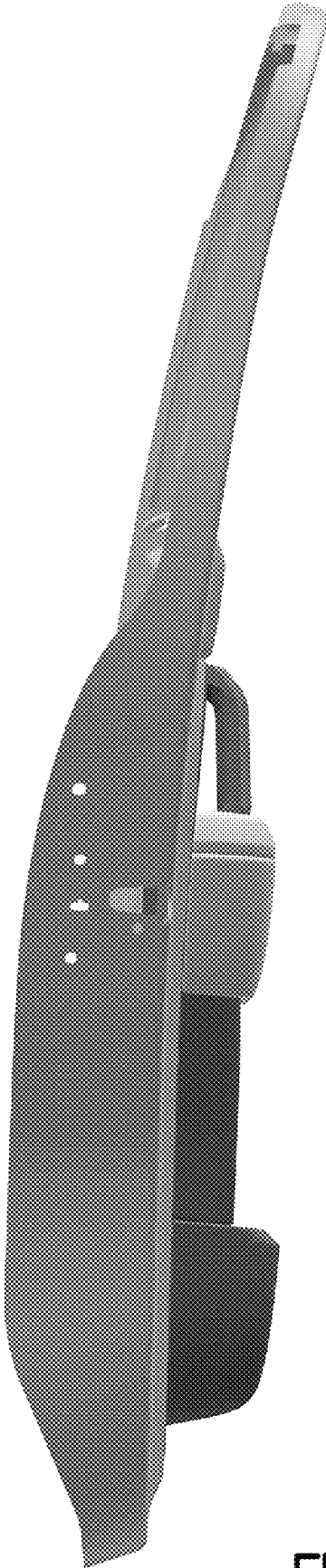


FIG. 6

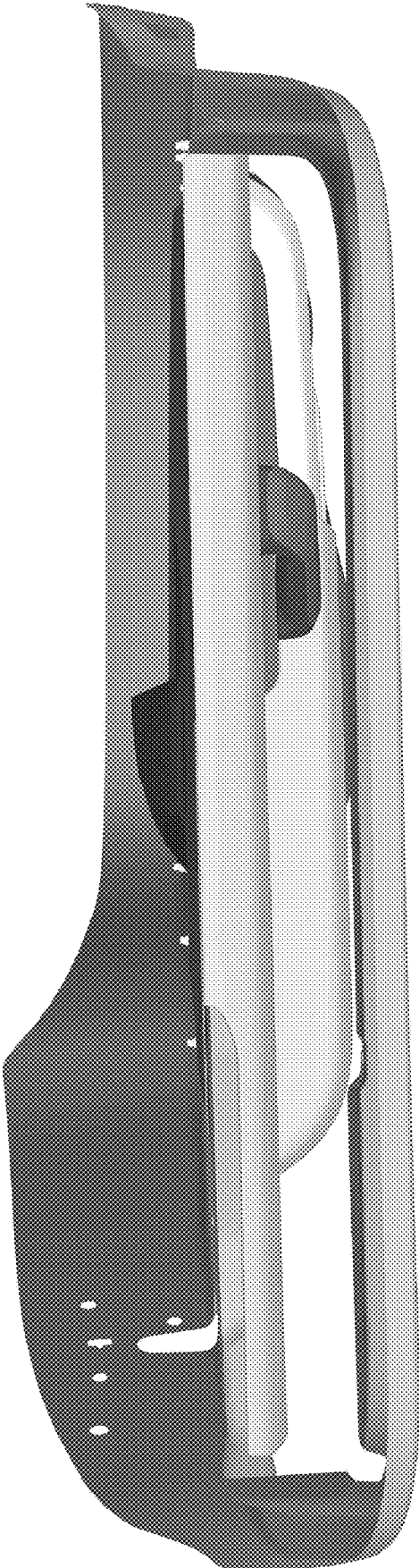


FIG. 7

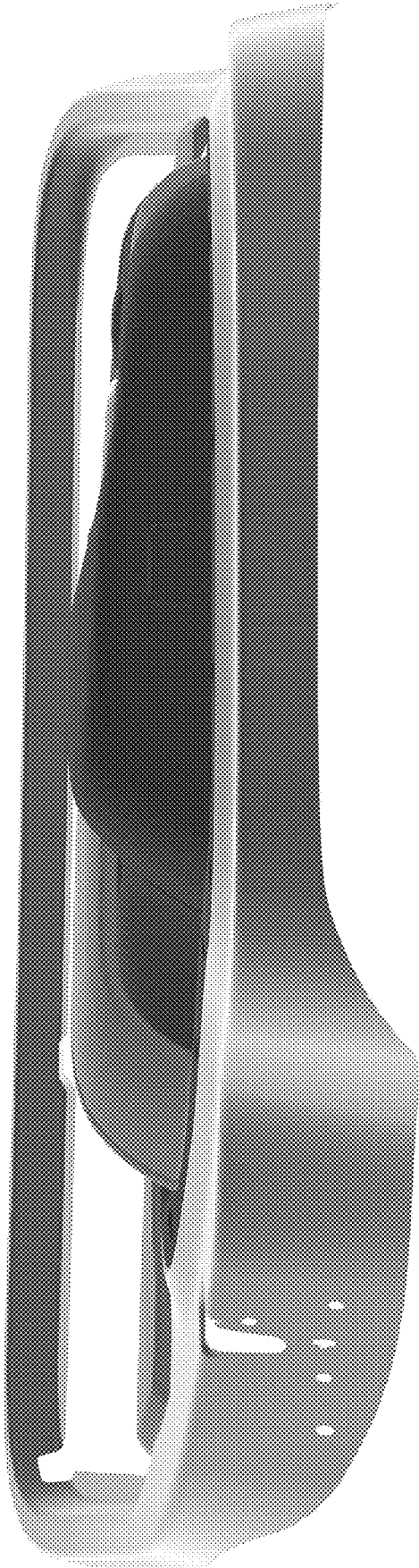


FIG. 8