



US00D469840S

(12) **United States Design Patent**
DePaoli

(10) **Patent No.:** **US D469,840 S**

(45) **Date of Patent:** **** Feb. 4, 2003**

(54) **AIR GUN SIGHT**

(76) **Inventor:** **Alfred C. DePaoli, 1 Wyman St.,
Woburn, MA (US) 01801**

(**) **Term:** **14 Years**

(21) **Appl. No.:** **29/014,855**

(22) **Filed:** **Nov. 1, 1993**

(51) **LOC (7) Cl.** **22-01**

(52) **U.S. Cl.** **D22/109**

(58) **Field of Search** D22/109, 110,
D22/132; 43/100, 102, 103; 33/298, 243,
241, 246; 356/251, 252, 247, 258, 245

(56) **References Cited**

U.S. PATENT DOCUMENTS

2,039,907	A	*	5/1936	Jefferson	42/100
2,585,395	A	*	2/1952	Martin et al.	33/258
2,645,017	A	*	7/1953	Haase	42/100 X
2,932,896	A	*	4/1960	Hicinbothem	42/100 X
3,187,436	A	*	6/1965	Friedrichsmeier	42/100 X
3,320,671	A	*	5/1967	Rickert et al.	33/241
3,552,819	A	*	1/1971	Mandler	33/241
3,942,901	A	*	3/1976	Ekstrand	356/251

3,960,453	A	*	6/1976	Svensson	33/241
3,963,356	A	*	6/1976	Wiklund	33/241
4,136,963	A	*	1/1979	Budden et al.	33/241
4,346,995	A	*	8/1982	Morris	356/251
4,658,139	A	*	4/1987	Brennan et al.	33/241
4,764,001	A	*	8/1988	Goldstein	33/241
4,877,324	A	*	10/1989	Hauri et al.	33/241
5,052,801	A	*	10/1991	Downes, Jr. et al.	33/246

FOREIGN PATENT DOCUMENTS

WO 3942901 * 3/1976 356/251

* cited by examiner

Primary Examiner—Doris V. Coles

Assistant Examiner—T. Chase Nelson

(74) *Attorney, Agent, or Firm*—Robert T Dunn, Esq

(57) **CLAIM**

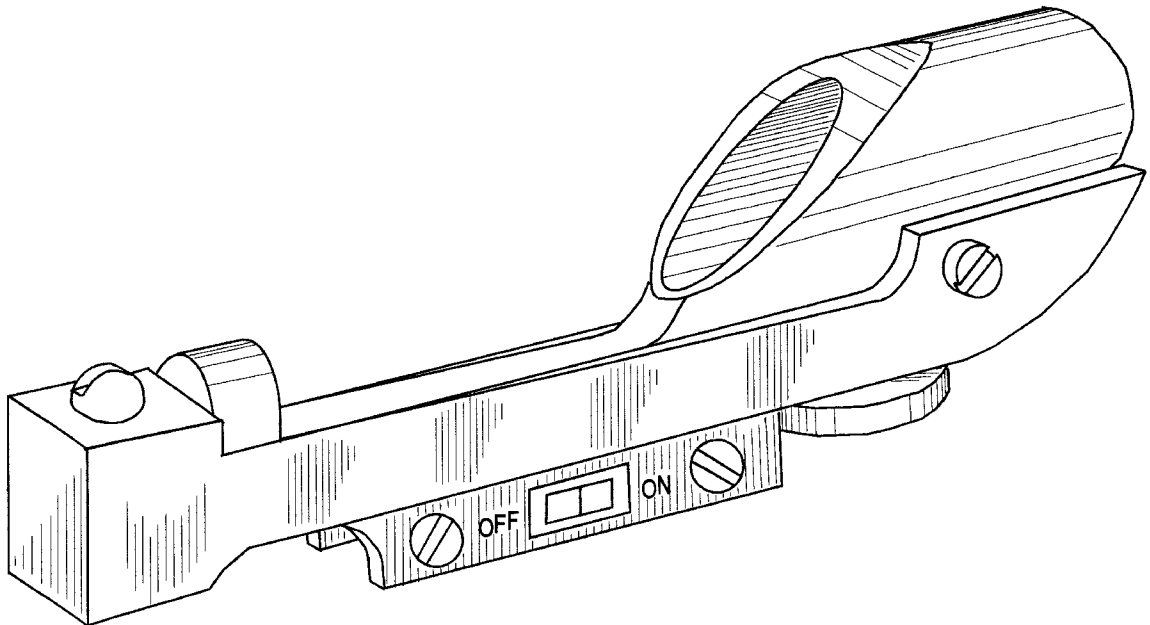
The ornamental design for air gun sight, as shown and described.

DESCRIPTION

FIG. 1 is a perspective view of an air gun sight, showing my new design; and,

FIG. 2 is a rear elevational view thereof.

1 Claim, 2 Drawing Sheets



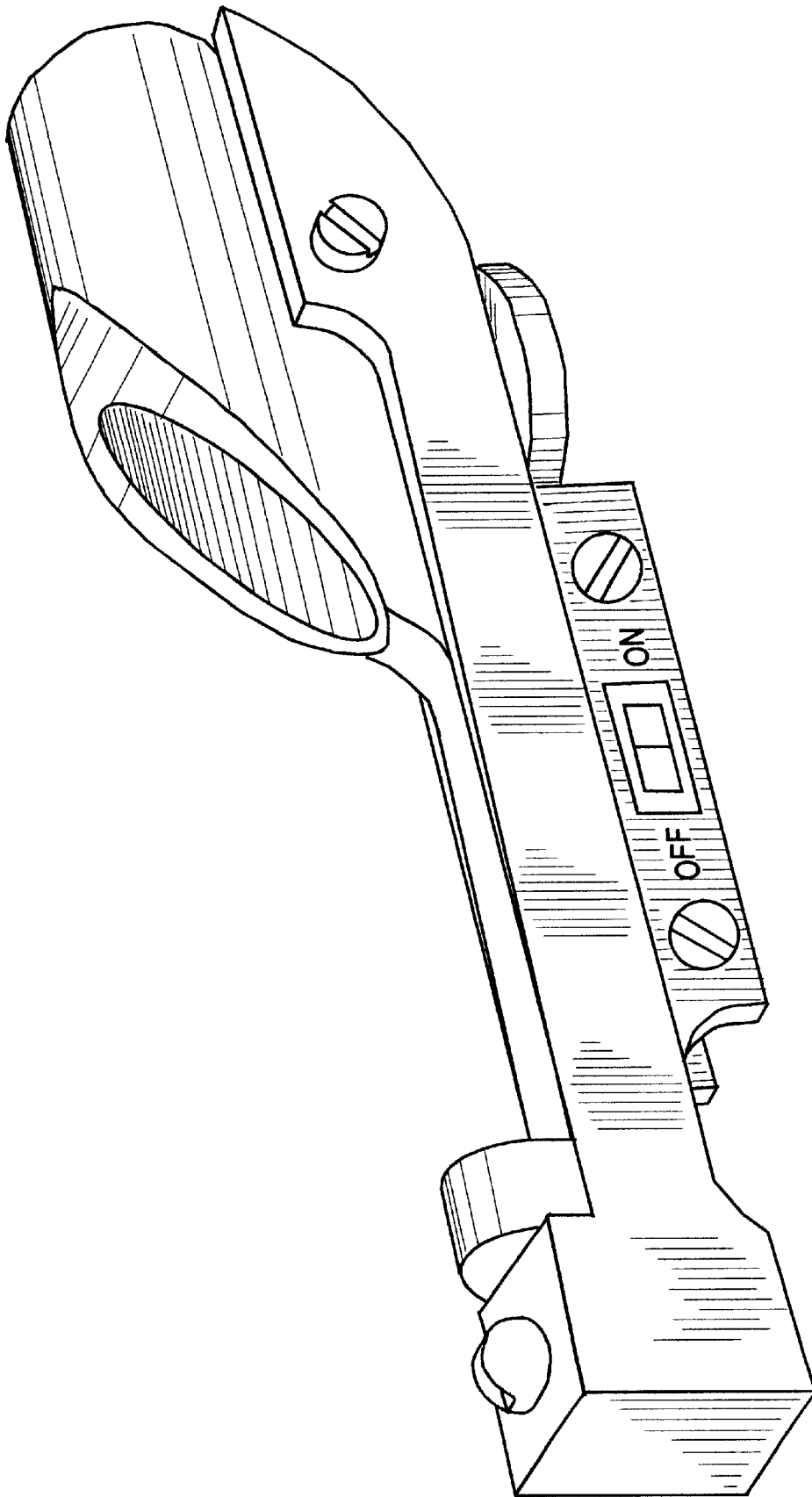


FIG 1

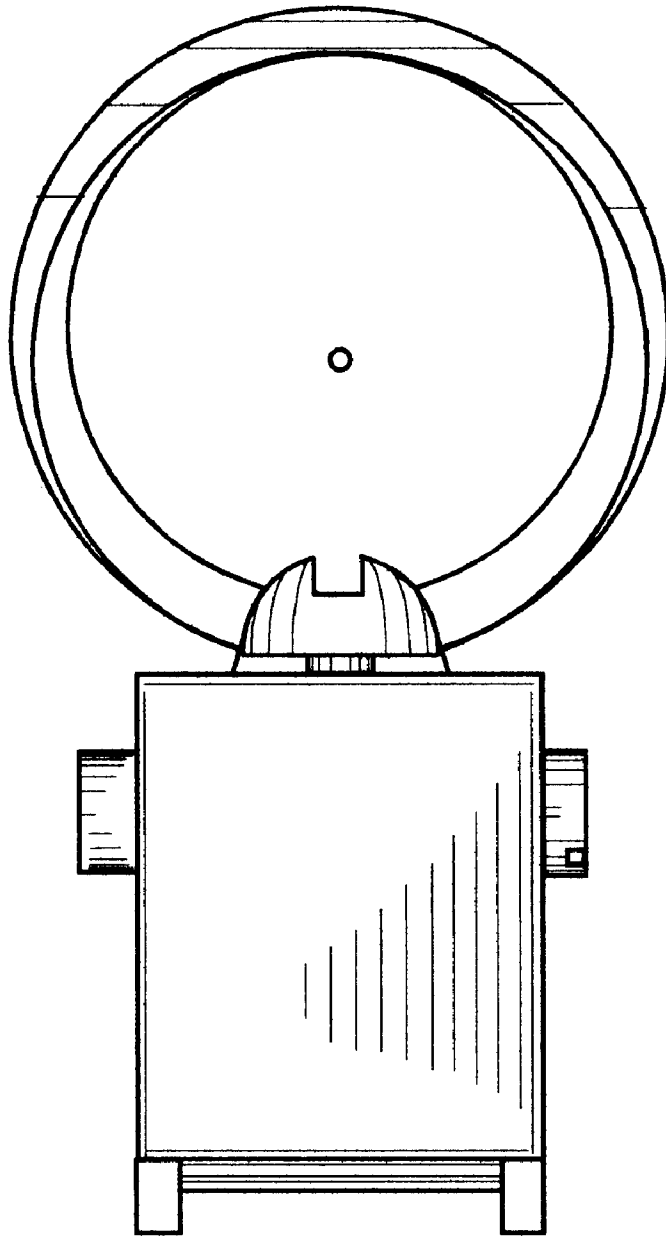


FIG 2