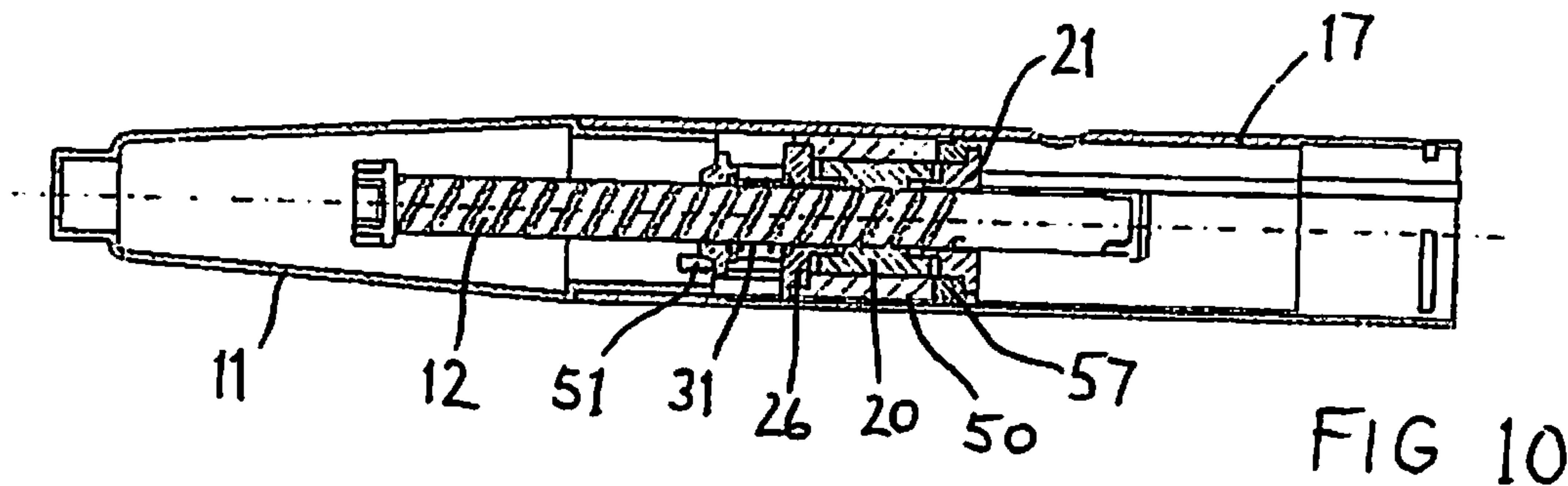




(86) Date de dépôt PCT/PCT Filing Date: 2011/06/09
 (87) Date publication PCT/PCT Publication Date: 2011/12/15
 (85) Entrée phase nationale/National Entry: 2012/12/06
 (86) N° demande PCT/PCT Application No.: EP 2011/059571
 (87) N° publication PCT/PCT Publication No.: 2011/154486
 (30) Priorité/Priority: 2010/06/11 (EP10165643.7)

(51) Cl.Int./Int.Cl. *A61M 5/24* (2006.01),
A61M 5/315 (2006.01)
 (71) Demandeur/Applicant:
SANOFI-AVENTIS DEUTSCHLAND GMBH, DE
 (72) Inventeurs/Inventors:
SMITH, CHRISTOPHER JAMES, GB;
BUTLER, STEPHEN DAVID, GB;
HORLOCK, MARK PHILIP, GB
 (74) Agent: BERESKIN & PARR LLP/S.E.N.C.R.L.,S.R.L.

(54) Titre : MECANISME D'ENTRAINEMENT POUR DISPOSITIF D'ADMINISTRATION DE MEDICAMENTS ET
DISPOSITIF D'ADMINISTRATION DE MEDICAMENTS
 (54) Title: DRIVE MECHANISM FOR A DRUG DELIVERY DEVICE AND DRUG DELIVERY DEVICE



(57) **Abrégé/Abstract:**

A drive member (20) and a rotation member (21) are rotatable with respect to a housing (17). A stop member (26) is rotationally locked with the housing. Clutches unidirectionally rotationally engage the drive member with the rotation member and with the stop member when a unit (11) is attached to the housing. A separating member (50) is disposed between the rotation member and the stop member. The separating member causes a separation of the rotation member, the drive member and the stop member when the unit is removed. A coupling feature of the separating member is provided to engage the unit and to move the separating member when the unit is being attached to the housing or is being removed.

(12) INTERNATIONAL APPLICATION PUBLISHED UNDER THE PATENT COOPERATION TREATY (PCT)

(19) World Intellectual Property Organization
International Bureau(43) International Publication Date
15 December 2011 (15.12.2011)(10) International Publication Number
WO 2011/154486 A1

(51) International Patent Classification:

A61M 5/24 (2006.01) A61M 5/315 (2006.01)

(21) International Application Number:

PCT/EP2011/059571

(22) International Filing Date:

9 June 2011 (09.06.2011)

(25) Filing Language:

English

(26) Publication Language:

English

(30) Priority Data:

10165643.7 11 June 2010 (11.06.2010) EP

(71) Applicant (for all designated States except US):

SANOFI-AVENTIS DEUTSCHLAND GMBH
[DE/DE]; Brüningsstraße 50, 65929 Frankfurt (DE).

(72) Inventors; and

(75) Inventors/Applicants (for US only): SMITH, Christopher, James [GB/GB]; 4 Elm Drive, Cheshire, Cheshire, CW4 7QG Holmes Chapel (GB). BUTLER, Stephen, David [GB/GB]; 25 High Hill, South Staffords, Essington Staffordshire WV11 2DP (GB). HORLOCK, Mark, Philip [GB/GB]; 18 Mayfield Close, Cheshire, Timperley Cheshire WA15 7TE (GB).

(81) Designated States (unless otherwise indicated, for every

kind of national protection available): AE, AG, AL, AM, AO, AT, AU, AZ, BA, BB, BG, BH, BR, BW, BY, BZ, CA, CH, CL, CN, CO, CR, CU, CZ, DE, DK, DM, DO, DZ, EC, EE, EG, ES, FI, GB, GD, GE, GH, GM, GT, HN, HR, HU, ID, IL, IN, IS, JP, KE, KG, KM, KN, KP, KR, KZ, LA, LC, LK, LR, LS, LT, LU, LY, MA, MD, ME, MG, MK, MN, MW, MX, MY, MZ, NA, NG, NI, NO, NZ, OM, PE, PG, PH, PL, PT, RO, RS, RU, SC, SD, SE, SG, SK, SL, SM, ST, SV, SY, TH, TJ, TM, TN, TR, TT, TZ, UA, UG, US, UZ, VC, VN, ZA, ZM, ZW.

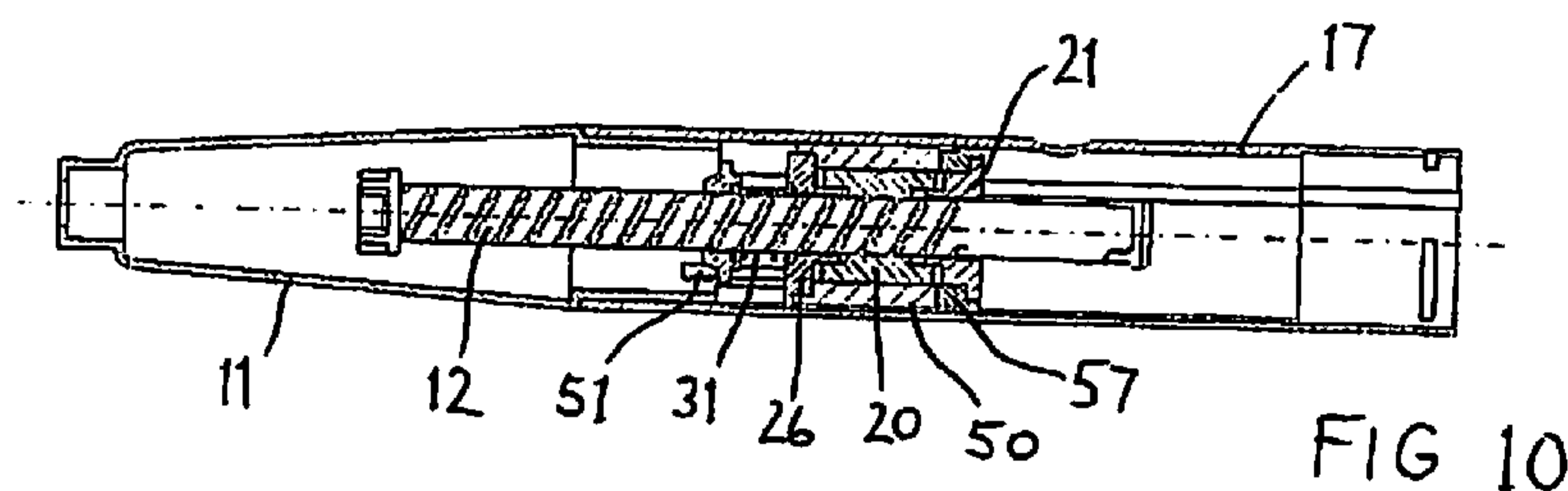
(84) Designated States (unless otherwise indicated, for every

kind of regional protection available): ARIPO (BW, GH, GM, KE, LR, LS, MW, MZ, NA, SD, SL, SZ, TZ, UG, ZM, ZW), Eurasian (AM, AZ, BY, KG, KZ, MD, RU, TJ, TM), European (AL, AT, BE, BG, CH, CY, CZ, DE, DK, EE, ES, FI, FR, GB, GR, HR, HU, IE, IS, IT, LT, LU, LV, MC, MK, MT, NL, NO, PL, PT, RO, RS, SE, SI, SK, SM, TR), OAPI (BF, BJ, CF, CG, CI, CM, GA, GN, GQ, GW, ML, MR, NE, SN, TD, TG).

Published:

— with international search report (Art. 21(3))

(54) Title: DRIVE MECHANISM FOR A DRUG DELIVERY DEVICE AND DRUG DELIVERY DEVICE



(57) Abstract: A drive member (20) and a rotation member (21) are rotatable with respect to a housing (17). A stop member (26) is rotationally locked with the housing. Clutches unidirectionally rotationally engage the drive member with the rotation member and with the stop member when a unit (11) is attached to the housing. A separating member (50) is disposed between the rotation member and the stop member. The separating member causes a separation of the rotation member, the drive member and the stop member when the unit is removed. A coupling feature of the separating member is provided to engage the unit and to move the separating member when the unit is being attached to the housing or is being removed.

WO 2011/154486 A1

- 1 -

Description

Drive mechanism for a drug delivery device and drug delivery device

- 5 The present invention relates to a resettable drive mechanism for a drug delivery device and a drug delivery device comprising such a drive mechanism.

In a drug delivery device, a piston within a cartridge that contains drug may be displaced with respect to the cartridge in the distal direction by a piston rod which
10 moves in the distal direction with respect to the cartridge. In order to provide for a reusable device, after the cartridge containing the drug has been emptied, the piston rod often has to be moved back from a distal end position to a proximal starting position. Thereby, a dose of drug can be expelled from the cartridge. WO 2009/049885 A1 describes an injection device which can be reset by removing the cartridge and thus
15 disengaging the toothings of a steering element and a cylindrical sleeve, so that the piston rod can freely rotate.

It is an object of the invention to disclose a drive mechanism and a drug delivery device offering an easy reset operation.

20

This object is achieved with a drive mechanism according to claim 1 and with a drug delivery device according to claim 14. Embodiments derive from the dependent claims.

The drive mechanism for a drug delivery device comprises a housing, a unit which is
25 attachable to the housing and removable from the housing, a drive member arranged inside the housing, a rotation member, and a stop member. The drive member and the rotation member are rotatable with respect to the housing. A clutch unidirectionally rotationally engages the rotation member with the drive member when the unit is attached to the housing. The stop member is rotationally locked with respect to the
30 housing or forms part of the housing. The stop member may especially be provided with a guide feature that prevents a rotation of the stop member with respect to the housing. A further clutch unidirectionally rotationally engages the stop member with the drive

- 2 -

member when the unit is attached to the housing. A separating member is disposed between the rotation member and the stop member. The separating member causes a separation of the rotation member, the drive member and the stop member when the unit is removed, thereby disengaging the clutch and the further clutch. A coupling
5 feature of the separating member is provided to engage the unit and to move the separating member when the unit is being attached to the housing or is being removed.

10 In an embodiment of the drive mechanism the unit comprises a cartridge retaining member.

15 In a further embodiment of the drive mechanism the drive member is arranged between the rotation member and the stop member, and the separating member is a sleeve, which may especially surround the drive member. The coupling feature is provided to generate a rotation of the separating member, which is provided with inclined end faces.

20 In a further embodiment of the drive mechanism the rotation member has an inclined surface, which abuts one of the inclined end faces of the separating member. The stop member also has an inclined surface, which abuts the other one of the inclined end faces of the separating member.

25 In a further embodiment of the drive mechanism the stop member has an inclined surface, which abuts one of the inclined end faces of the separating member. A spacer element is arranged between the separating member and the rotation member. The spacer element is provided with an inclined surface, which abuts the other one of the inclined end faces of the separating member.

In a further embodiment of the drive mechanism the spacer element is rotationally locked with respect to the housing.

30 In a further embodiment of the drive mechanism the separating member is provided with a guide feature and the drive member is provided with a corresponding guide feature. The corresponding guide feature engages the guide feature of the separating member

- 3 -

in such a manner that a rotation of the drive member with respect to the separating member is allowed and an axial movement of the drive member with respect to the separating member is prevented.

5 In a further embodiment of the drive mechanism the drive member is arranged between the rotation member and the stop member, and the separating member is a lever, which is rotatable around a pivot that is fixed with respect to the housing.

10 In a further embodiment of the drive mechanism a resilient element acts on the lever and tends to rotate the lever into a position that causes a separation of the rotation member, the drive member and the stop member.

15 In a further embodiment of the drive mechanism the drive member is arranged between the rotation member and the stop member, and the separating member is rotatable and comprises splaying legs.

20 In a further embodiment of the drive mechanism coupling features are provided on the splaying legs. Guide features of the housing guide these coupling features. An axial distance between the guide features varies from a small distance to a large distance, thus causing the splaying legs to be either splayed apart or to approach one another when the separating member is rotated with respect to the housing.

25 In a further embodiment of the drive mechanism a resilient member keeps the stop member, the drive member and the rotation member in mechanical contact with each other during setting and delivery of a dose.

30 In a further embodiment of the drive mechanism, the rotation member, the drive member and the stop member are separated when the unit is removed. This allows a reset of a piston rod, which is rotationally coupled to the drive member.

In a further embodiment of the drive mechanism the housing forms part of a pen-type drug delivery device.

- 4 -

A drug delivery device may comprise a drive mechanism according to the invention. The drug delivery device may be an injection device, particularly a pen-type injector. The drive mechanism may be provided for setting a fixed dose. The device may be a
5 manually, in particular a non-electrically, operated device. The drug delivery device may additionally comprise a cartridge for holding a drug. The cartridge may be inserted in a unit provided as a cartridge holder or cartridge retaining member, which may be releasably attached to the housing.

10 The housing or a drug delivery device comprising the housing has a distal end and a proximal end. The term "distal end" designates that end of the housing, the device or a component thereof which is or is to be arranged closest to a dispensing end of the device. The term "proximal end" designates that end of the housing, the device or a
15 component thereof which is or is to be arranged furthest away from the dispensing end of the device. Accordingly, the "distal direction" is the direction from the proximal end towards the distal end, and the "proximal direction" is the direction from the distal end towards the proximal end.

The term "drug", as used herein, preferably means a pharmaceutical formulation
20 containing at least one pharmaceutically active compound,

wherein in one embodiment the pharmaceutically active compound has a molecular weight up to 1500 Da and/or is a peptide, a proteine, a polysaccharide, a vaccine, a DNA, a RNA, an enzyme, an antibody, a hormone or an oligonucleotide, or a mixture of
25 the above-mentioned pharmaceutically active compound,

wherein in a further embodiment the pharmaceutically active compound is useful for the treatment and/or prophylaxis of diabetes mellitus or complications associated with diabetes mellitus such as diabetic retinopathy, thromboembolism disorders such as
30 deep vein or pulmonary thromboembolism, acute coronary syndrome (ACS), angina, myocardial infarction, cancer, macular degeneration, inflammation, hay fever, atherosclerosis and/or rheumatoid arthritis,

- 5 -

wherein in a further embodiment the pharmaceutically active compound comprises at least one peptide for the treatment and/or prophylaxis of diabetes mellitus or complications associated with diabetes mellitus such as diabetic retinopathy,

5

wherein in a further embodiment the pharmaceutically active compound comprises at least one human insulin or a human insulin analogue or derivative, glucagon-like peptide (GLP-1) or an analogue or derivative thereof, or exedin-3 or exedin-4 or an analogue or derivative of exedin-3 or exedin-4.

10

Insulin analogues are for example Gly(A21), Arg(B31), Arg(B32) human insulin; Lys(B3), Glu(B29) human insulin; Lys(B28), Pro(B29) human insulin; Asp(B28) human insulin; human insulin, wherein proline in position B28 is replaced by Asp, Lys, Leu, Val or Ala and wherein in position B29 Lys may be replaced by Pro; Ala(B26) human insulin; Des(B28-B30) human insulin; Des(B27) human insulin and Des(B30) human insulin.

15

Insulin derivatives are for example B29-N-myristoyl-des(B30) human insulin; B29-N-palmitoyl-des(B30) human insulin; B29-N-myristoyl human insulin; B29-N-palmitoyl human insulin; B28-N-myristoyl LysB28ProB29 human insulin; B28-N-palmitoyl-LysB28ProB29 human insulin; B30-N-myristoyl-ThrB29LysB30 human insulin; B30-N-palmitoyl-ThrB29LysB30 human insulin; B29-N-(N-palmitoyl-Y-glutamyl)-des(B30) human insulin; B29-N-(N-lithocholyl-Y-glutamyl)-des(B30) human insulin; B29-N-(ω -carboxyheptadecanoyl)-des(B30) human insulin and B29-N-(ω -carboxyheptadecanoyl) human insulin.

25

Exendin-4 for example means Exendin-4(1-39), a peptide of the sequence H-His-Gly-Glu-Gly-Thr-Phe-Thr-Ser-Asp-Leu-Ser-Lys-Gln-Met-Glu-Glu-Glu-Ala-Val-Arg-Leu-Phe-Ile-Glu-Trp-Leu-Lys-Asn-Gly-Gly-Pro-Ser-Ser-Gly-Ala-Pro-Pro-Pro-Ser-NH₂.

30

Exendin-4 derivatives are for example selected from the following list of compounds:

- 6 -

- H-(Lys)4-des Pro36, des Pro37 Exendin-4(1-39)-NH₂,
H-(Lys)5-des Pro36, des Pro37 Exendin-4(1-39)-NH₂,
des Pro36 [Asp28] Exendin-4(1-39),
des Pro36 [IsoAsp28] Exendin-4(1-39),
5 des Pro36 [Met(O)14, Asp28] Exendin-4(1-39),
des Pro36 [Met(O)14, IsoAsp28] Exendin-4(1-39),
des Pro36 [Trp(O₂)25, Asp28] Exendin-4(1-39),
des Pro36 [Trp(O₂)25, IsoAsp28] Exendin-4(1-39),
des Pro36 [Met(O)14 Trp(O₂)25, Asp28] Exendin-4(1-39),
10 des Pro36 [Met(O)14 Trp(O₂)25, IsoAsp28] Exendin-4(1-39); or
- des Pro36 [Asp28] Exendin-4(1-39),
des Pro36 [IsoAsp28] Exendin-4(1-39),
des Pro36 [Met(O)14, Asp28] Exendin-4(1-39),
15 des Pro36 [Met(O)14, IsoAsp28] Exendin-4(1-39),
des Pro36 [Trp(O₂)25, Asp28] Exendin-4(1-39),
des Pro36 [Trp(O₂)25, IsoAsp28] Exendin-4(1-39),
des Pro36 [Met(O)14 Trp(O₂)25, Asp28] Exendin-4(1-39),
des Pro36 [Met(O)14 Trp(O₂)25, IsoAsp28] Exendin-4(1-39),
20 wherein the group -Lys6-NH₂ may be bound to the C-terminus of the Exendin-4
derivative;
- or an Exendin-4 derivative of the sequence
- H-(Lys)6-des Pro36 [Asp28] Exendin-4(1-39)-Lys6-NH₂,
25 des Asp28 Pro36, Pro37, Pro38 Exendin-4(1-39)-NH₂,
H-(Lys)6-des Pro36, Pro38 [Asp28] Exendin-4(1-39)-NH₂,
H-Asn-(Glu)5des Pro36, Pro37, Pro38 [Asp28] Exendin-4(1-39)-NH₂,
des Pro36, Pro37, Pro38 [Asp28] Exendin-4(1-39)-(Lys)6-NH₂,
H-(Lys)6-des Pro36, Pro37, Pro38 [Asp28] Exendin-4(1-39)-(Lys)6-NH₂,
30 H-Asn-(Glu)5-des Pro36, Pro37, Pro38 [Asp28] Exendin-4(1-39)-(Lys)6-NH₂,
H-(Lys)6-des Pro36 [Trp(O₂)25, Asp28] Exendin-4(1-39)-Lys6-NH₂,
H-des Asp28 Pro36, Pro37, Pro38 [Trp(O₂)25] Exendin-4(1-39)-NH₂,

- 7 -

- H-(Lys)6-des Pro36, Pro37, Pro38 [Trp(O2)25, Asp28] Exendin-4(1-39)-NH2,
H-Asn-(Glu)5-des Pro36, Pro37, Pro38 [Trp(O2)25, Asp28] Exendin-4(1-39)-NH2,
des Pro36, Pro37, Pro38 [Trp(O2)25, Asp28] Exendin-4(1-39)-(Lys)6-NH2,
H-(Lys)6-des Pro36, Pro37, Pro38 [Trp(O2)25, Asp28] Exendin-4(1-39)-(Lys)6-NH2,
5 H-Asn-(Glu)5-des Pro36, Pro37, Pro38 [Trp(O2)25, Asp28] Exendin-4(1-39)-(Lys)6-
NH2,
H-(Lys)6-des Pro36 [Met(O)14, Asp28] Exendin-4(1-39)-Lys6-NH2,
des Met(O)14 Asp28 Pro36, Pro37, Pro38 Exendin-4(1-39)-NH2,
H-(Lys)6-des Pro36, Pro37, Pro38 [Met(O)14, Asp28] Exendin-4(1-39)-NH2,
10 H-Asn-(Glu)5-des Pro36, Pro37, Pro38 [Met(O)14, Asp28] Exendin-4(1-39)-NH2,
des Pro36, Pro37, Pro38 [Met(O)14, Asp28] Exendin-4(1-39)-(Lys)6-NH2,
H-(Lys)6-des Pro36, Pro37, Pro38 [Met(O)14, Asp28] Exendin-4(1-39)-(Lys)6-NH2,
H-Asn-(Glu)5 des Pro36, Pro37, Pro38 [Met(O)14, Asp28] Exendin-4(1-39)-(Lys)6-NH2,
H-Lys6-des Pro36 [Met(O)14, Trp(O2)25, Asp28] Exendin-4(1-39)-Lys6-NH2,
15 H-des Asp28 Pro36, Pro37, Pro38 [Met(O)14, Trp(O2)25] Exendin-4(1-39)-NH2,
H-(Lys)6-des Pro36, Pro37, Pro38 [Met(O)14, Asp28] Exendin-4(1-39)-NH2,
H-Asn-(Glu)5-des Pro36, Pro37, Pro38 [Met(O)14, Trp(O2)25, Asp28] Exendin-4(1-39)-
NH2,
des Pro36, Pro37, Pro38 [Met(O)14, Trp(O2)25, Asp28] Exendin-4(1-39)-(Lys)6-NH2,
20 H-(Lys)6-des Pro36, Pro37, Pro38 [Met(O)14, Trp(O2)25, Asp28] Exendin-4(S1-39)-
(Lys)6-NH2,
H-Asn-(Glu)5-des Pro36, Pro37, Pro38 [Met(O)14, Trp(O2)25, Asp28] Exendin-4(1-39)-
(Lys)6-NH2;
- 25 or a pharmaceutically acceptable salt or solvate of any one of the afore-mentioned
Exedin-4 derivative.

Hormones are for example hypophysis hormones or hypothalamus hormones or
regulatory active peptides and their antagonists as listed in Rote Liste, ed. 2008,
30 Chapter 50, such as Gonadotropine (Follitropin, Lutropin, Choriongonadotropin,
Menotropin), Somatropine (Somatropin), Desmopressin, Terlipressin, Gonadorelin,
Triptorelin, Leuprorelin, Buserelin, Nafarelin, Goserelin.

- 8 -

A polysaccharide is for example a glucosaminoglycane, a hyaluronic acid, a heparin, a low molecular weight heparin or an ultra low molecular weight heparin or a derivative thereof, or a sulphated, e.g. a poly-sulphated form of the above-mentioned
5 polysaccharides, and/or a pharmaceutically acceptable salt thereof. An example of a pharmaceutically acceptable salt of a poly-sulphated low molecular weight heparin is enoxaparin sodium.

Pharmaceutically acceptable salts are for example acid addition salts and basic salts.
10 Acid addition salts are e.g. HCl or HBr salts. Basic salts are e.g. salts having a cation selected from alkali or alkaline, e.g. Na⁺, or K⁺, or Ca²⁺, or an ammonium ion N⁺(R1)(R2)(R3)(R4), wherein R1 to R4 independently of each other mean: hydrogen, an optionally substituted C1-C6-alkyl group, an optionally substituted C2-C6-alkenyl group, an optionally substituted C6-C10-aryl group, or an optionally substituted C6-C10-
15 heteroaryl group. Further examples of pharmaceutically acceptable salts are described in "Remington's Pharmaceutical Sciences" 17. ed. Alfonso R. Gennaro (Ed.), Mark Publishing Company, Easton, Pa., U.S.A., 1985 and in Encyclopedia of Pharmaceutical Technology.

20 Pharmaceutically acceptable solvates are for example hydrates.

A resettable drive mechanism for a drug delivery device preferably comprises a housing with a proximal end and a distal end, the drive member being rotatable with respect to the housing in a second direction for delivering a dose of a drug, the piston rod being
25 adapted to be driven in a distal direction with respect to the housing by the drive member, when the drive member rotates in the second direction, a stop member being adapted to prevent rotation of the drive member in a first direction opposite to the second direction with respect to the housing, when the stop member engages the drive member, and a clutch member movable with respect to the housing between a delivery
30 position and a reset position.

- 9 -

When the clutch member is in the delivery position, the stop member and the drive member are engaged, and the drive member is prevented from rotating in the first direction with respect to the housing. When the clutch member is in the reset position, the drive member and the stop member are disengaged, the drive member is rotatable
5 in the first direction with respect to the housing and the piston rod is movable in the proximal direction with respect to the housing.

The clutch member may be (linearly) displaced with respect to the housing when the clutch member is moved from the delivery position into the reset position or from the
10 reset position into the delivery position. The clutch member may be displaced with respect to one of the drive member and the stop member when the clutch member is moved from the delivery position into the reset position or from the reset position into the delivery position. The other one of the drive member and the stop member may follow movement of the clutch member when the clutch member is moved from the
15 delivery position into the reset position or from the reset position into the delivery position. Via this relative movement, drive member and stop member may be disengaged. The clutch member may be axially displaced with respect to the housing when it is moved from the delivery into the reset position and preferably when it is moved from the delivery position into the reset position. The clutch member may be
20 secured against rotational movement with respect to the housing.

If a clutch member that is movable with respect to the housing between the delivery position and the reset position is provided, a movement of the piston rod in the proximal direction with respect to the housing is facilitated. In particular, since the drive member
25 may be rotated in the first direction with respect to the housing, the drive member may rotate in that direction which is opposite to the one during delivery of the dose of drug without the rotational movement in the first direction being prevented by the stop member. Thus, proximal movement of the piston rod which may cause the drive member to be rotated in the first direction is no longer prevented and resetting of the
30 drive mechanism is facilitated.

- 10 -

The stop member and the drive member may be permanently engaged while the clutch member is in delivery position. The drive member may engage the piston rod. The drive member may be permanently engaged with the piston rod regardless whether the clutch member is in delivery position or in the reset position.

5

Rotational movement of the drive member may be converted into rotational movement of the piston rod in the same direction. Rotational movement of the piston rod may be converted into displacement of the piston rod with respect to the housing in the distal direction, for example by a threaded engagement of the piston rod with the housing.

10 The piston rod may be displaced in the distal direction with respect to the housing and rotate in the second direction during the distal displacement. The piston rod may be displaced along its rotation axis.

Alternatively, a rotational movement of the drive member may be converted into pure
15 (linear) displacement of the piston rod with respect to the housing. Thus, the piston rod may move translationally with respect to the housing without rotating. A displacement axis of the piston rod may run transversely with respect to the rotation axis around which the drive member rotates.

20 In an embodiment of the drive mechanism the clutch comprises a resilient member, which may be a spring. The clutch resilient member may be biased when the clutch member is in the delivery position. The clutch resilient member may be fully or partly relaxed when the clutch member is in the reset position.

25 In another embodiment, the drive mechanism comprises a clutch stop member. The clutch stop member may be movable with respect to the clutch member. The clutch stop member may be removable, in particular from the drive mechanism. The clutch stop member may be arranged to keep, preferably to hold, the clutch member in the delivery position. The clutch stop member may be provided for preventing movement of the
30 clutch member towards the reset position. The clutch stop member may be arranged to counteract the force exerted by the clutch resilient member that tends to move the clutch member in the reset position. The clutch stop member is preferably releasably

- 11 -

secured with respect to the housing. If the clutch stop member is removed from the clutch member, e.g. detached from the housing, the clutch member is permitted to move into the reset position after the clutch stop member has been removed. Thus, the clutch stop member may keep the drive mechanism in a delivery state by preventing
5 movement of the clutch member towards the reset position. If the clutch stop member is removed from the clutch member, the clutch member may be moved into the reset position, which movement puts the drive mechanism in a reset state.

The clutch stop member and the clutch resilient member, in combination, may also be
10 provided for an automatically actuated reset mechanism of the drive mechanism. Due to the biased clutch resilient member, the clutch member is moved automatically into a reset position when the clutch stop member is removed.

The rotation member may be adapted to be rotated in the first direction with respect to
15 the housing during setting of a dose of a drug and to be rotated in the second direction with respect to the housing during delivery of the dose. Rotation of the rotation member in the second direction with respect to the housing may be converted into rotation of the drive member in the second direction with respect to the housing, e.g. by mechanical cooperation of the rotation member and the drive member. Rotation of the drive
20 member may be converted into movement of the piston rod with respect to the housing, e.g. by mechanical cooperation of drive member and piston rod and preferably additionally by mechanical cooperation of piston rod and housing, e.g. by a threaded engagement.

25 According to another embodiment, the drive member, preferably permanently, abuts and/or engages one of or both of stop member and rotation member during (rotational) movement of the rotation member for setting and delivery of the dose. Thus, when the clutch member is in the delivery position, the drive member may, preferably permanently, abut one of or both of rotation member and stop member. The drive
30 member may be coupled to the stop member and/or rotation member during setting and delivery of the dose.

- 12 -

In another embodiment, the drive mechanism comprises a resilient member, which may be a spring. The resilient member may be arranged to keep the stop member and the drive member in abutment and/or engagement. The resilient member may exert a force on one of or both of the drive member and the stop member which force tends to keep
5 the drive member and the stop member in engagement. Preferably, this force has to be overcome for disengaging drive member and stop member.

In another embodiment, the clutch resilient member is a clutch spring member and the resilient member is a spring member. The clutch spring member preferably has a spring
10 strength which is greater than a spring strength of the spring member. Thus, the clutch resilient member may exert a force on the clutch member which overcomes the force exerted by the resilient member by which the stop member and the drive member are kept in abutment and/or engagement. Accordingly, disengaging stop member and drive member is facilitated.

15 In another embodiment, the stop member and the drive member are arranged to be moved into engagement when the clutch member is moved from the reset position towards the delivery position. The force exerted by the resilient member may assist this movement. An additional external force may be applied for (re-)engaging stop member
20 and drive member. It may be necessary to overcome the force exerted by the clutch resilient member for (re-)engaging stop member and drive member.

In another embodiment, the drive member and the stop member are engaged to form a unidirectional friction clutch mechanism when the clutch member is in the delivery
25 position. Accordingly, relative rotational movement of the drive member with respect to the stop member and, in particular, with respect to the housing in the first direction is prevented when the clutch member is in the delivery position. When the clutch member is in the reset position, the unidirectional clutch is open. Thus, when the clutch member is in the reset position, relative rotational movement between drive member and stop
30 member in the first rotational direction is expediently allowed.

- 13 -

In another embodiment, the drive member and the rotation member are engaged to form a (further) unidirectional friction clutch mechanism when the clutch member is in the delivery position and, preferably, also when the clutch member is in the reset position. This mechanism is expediently configured to prevent relative rotational
5 movement between drive member and rotation member in the second direction.

In another embodiment, the stop member is secured against rotational movement with respect to the housing and the stop member is displaceable with respect to the housing.

10 In another embodiment, the stop member is arranged to follow movement of the clutch member towards the reset position, thereby disengaging from the drive member.

In another embodiment, the clutch member is arranged to abut the stop member when the clutch member is moved towards the reset position. Preferably, the clutch member
15 carries the stop member with it towards the reset position after having moved into abutment with the stop member.

In an embodiment of a drug delivery device comprising a drive mechanism as described, the cartridge or a cartridge retaining member, which is adapted to retain
20 and/or attach the cartridge to the housing, is the clutch stop member. Thus, the cartridge or the cartridge retaining member may prevent the clutch member from moving into the reset position on account of the force exerted by the clutch resilient member. If the cartridge retaining member or the cartridge is detached from the housing, the clutch member will automatically move into reset position.

25 Further objects, features and advantages of the invention will become apparent from the following detailed description in conjunction with the appended drawings.

Figure 1 schematically shows a partly sectional side view of an embodiment of a drug
30 delivery device.

Figure 2 shows a perspective view of a cross-section of a drive mechanism.

- 14 -

Figure 3 shows a detail of an embodiment of the drive mechanism including a drive member.

5 Figure 4 shows a further detail of an embodiment of the drive mechanism including a stop member.

Figure 5 shows a further detail of an embodiment of the drive mechanism including a rotation member.

10

Figure 6 shows a further detail of an embodiment of the drive mechanism including a dose member.

15 Figure 7 shows a further detail of an embodiment of the drive mechanism including an engagement between the rotation member and the dose member.

Figure 8 shows a partial cross-section of an embodiment of a drug delivery device provided with an embodiment of the drive mechanism.

20 Figure 9 shows an exploded view of a part of the drive mechanism.

Figure 10 shows a partial cross-section of the device of Figure 8 in a state requiring a reset operation.

25 Figure 11 shows a cross-section according to Figure 10 after a partial removal of the cartridge unit.

Figure 12 shows a cross-section according to Figure 11 after a complete removal of the cartridge unit and a reset of the piston rod.

30

Figure 13 shows a cross-section according to Figure 12 with the cartridge unit attached.

- 15 -

Figure 14 shows an element that is used in a further embodiment of the drive mechanism.

Figure 15 shows an element that is used in a further embodiment of the drive mechanism together with the arrangement of appertaining guide features.

Like elements, elements of the same kind and identically acting elements carry the same reference numerals.

10 Figure 1 shows a drug delivery device 1 having a distal end 7 and a proximal end 8 and comprising a cartridge unit 2 and a drive unit 3. The cartridge unit 2 comprises a cartridge 4. Drug 5 is retained in the cartridge 4. The drug 5 is preferably liquid drug. The cartridge 4 preferably comprises a plurality of doses of the drug 5. The drug 5 may comprise insulin, heparin, or growth hormones, for example. The cartridge 4 has an outlet 6 at its distal end. Drug 5 can be dispensed from the cartridge through outlet 6. The device 1 may be a pen-type device, in particular a pen-type injector. The device 1 may be a disposable or a reusable device. The device 1 may be a device configured to dispense fixed doses of the drug. The device 1 may be a needle-based or a needle free device. The device 1 may be an injection device.

20 The outlet 6 may be covered by a membrane 9, which protects drug 5 against external influences during storage of the cartridge. For drug delivery, membrane 9 may be opened, e.g. pierced. For example, membrane 9 may be pierced by a needle unit (not explicitly shown). The needle unit may be (releasably) attached to the distal end of the cartridge unit 2. The needle unit may provide for fluid communication from the inside of the cartridge 4 to the outside of the cartridge through outlet 6.

30 A piston 10 is retained within the cartridge 4. The piston 10 is movable with respect to the cartridge. The piston 10 may seal the drug 5 within the cartridge. The piston 10 expediently seals the interior of the cartridge 4 proximally. Movement of the piston 10 with respect to the cartridge 4 in the distal direction causes drug 5 to be dispensed from the cartridge through outlet 6 during operation of the device.

- 16 -

The cartridge unit 2 furthermore comprises a cartridge retaining member 11. The cartridge 4 is retained within the cartridge retaining member 11. The cartridge retaining member 11 may stabilize the cartridge 4 mechanically. Additionally or alternatively, the cartridge retaining member 11 may be provided with a fixing member (not explicitly shown) for attaching the cartridge unit 2 to the drive unit 3.

The cartridge unit 2 and the drive unit 3 are secured to one another, preferably releasably secured. A cartridge unit 2 which is releasably secured to the drive unit may be detached from the drive unit 3, for example in order to allow for providing for a new cartridge 4, if all of the doses of drug which once were in the cartridge formerly attached to the drive unit 3 have already been dispensed. The cartridge retaining member 11 may be releasably secured to the drive unit 3 via a thread, for example.

Alternatively, the cartridge retaining member 11 may be dispensed with. It is particularly expedient, in this case, to apply a robust cartridge 4 and to attach the cartridge directly to the drive unit 3.

The drive unit 3 is configured for transferring force, preferably user-exerted force, particularly preferably manually exerted force, to the piston 10 for displacing the piston 10 with respect to the cartridge 4 in the distal direction. A dose of drug may be dispensed from the cartridge in this way. The size of the delivered dose may be determined by the distance by which the piston 10 is displaced with respect to the cartridge 4 in the distal direction.

The drive unit 3 comprises a drive mechanism. The drive mechanism comprises a piston rod 12. The piston rod 12 may be configured for transferring force to the piston 10, thereby displacing the piston in the distal direction with respect to the cartridge 4. A distal end face of the piston rod 12 may be arranged to abut a proximal end face of the piston 10. A bearing member (not explicitly shown) may be arranged to advance the piston 10, preferably to abut the proximal end face of the piston 10. The bearing member may be arranged between piston 10 and piston rod 12. The bearing member

- 17 -

may be fixed to the piston rod 12 or a separate member. If the piston rod 12 is configured to be rotated during operation of the device, for example during dose delivery, it is particularly expedient to provide for a bearing member. The bearing member may be displaced together with the (rotating) piston rod with respect to the housing. The piston rod may be rotatable with respect to the bearing member. In this way, the risk that the rotating piston rod drills into the piston and thereby damages the piston is reduced. Accordingly, while the piston rod rotates and is displaced with respect to the housing, the bearing member is preferably only displaced, i.e. does not rotate. The piston rod may be bounded by the bearing member.

10 The drive unit 3 comprises a housing 13 which may be part of the drive mechanism. The piston rod 12 may be retained in the housing. A proximal end side 14 of the cartridge unit 2 may be secured to the drive unit 3 at a distal end side 15 of the housing 13, for example via a threaded connection. Housing 13, cartridge 4 and/or cartridge retaining member 11 may have a tubular shape.

20 The term "housing" shall preferably mean any exterior housing ("main housing", "body", "shell") or interior housing ("insert", "inner body") which may have a unidirectional axial coupling to prevent proximal movement of specific components. The housing may be designed to enable the safe, correct, and comfortable handling of the drug delivery device or any of its mechanism. Usually, it is designed to house, fix, protect, guide, and/or engage with any of the inner components of the drug delivery device (e.g., the drive mechanism, cartridge, piston, piston rod), preferably by limiting the exposure to contaminants, such as liquid, dust, dirt etc. In general, the housing may be unitary or a multipart component of tubular or non-tubular shape.

30 The term "piston rod" shall preferably mean a component adapted to operate through/within the housing, which may be designed to transfer axial movement through/within the drug delivery device, preferably from the drive member to the piston, for example for the purpose of discharging/dispensing an injectable product. Said piston rod may be flexible or not. It may be a simple rod, a lead-screw, a rack and pinion system, a worm gear system, or the like. "piston rod" shall further mean a component

- 18 -

having a circular or non-circular cross-section. It may be made of any suitable material known by a person skilled in the art and may be of unitary or multipart construction.

The drive unit 3 comprises a dose part 16. The dose part 16 is movable with respect to
5 the housing 13. The dose part 16 may be movable in the proximal direction with respect to the housing for setting of a dose of the drug 5 which is to be delivered and in the distal direction with respect to the housing for delivery of the set dose. The dose part 16 is preferably connected to the housing 13. The dose part 16 may be secured against rotational movement with respect to the housing. The dose part 16 may be moved
10 (displaced) between a proximal end position and a distal end position with respect to the housing 13 (not explicitly shown). The distance by which the dose part is displaced with respect to the housing during setting of the dose may determine a size of the dose. The proximal end position and the distal end position may be determined by a respective stop feature which may limit the proximal or distal travel of a dose member with respect
15 to the housing.

The device 1 may be a manually, in particular non-electrically, driven device. The (user-applied) force which causes the dose part 16 to be moved with respect to the housing
13 in the distal direction may be transferred to the piston rod 12 by the drive
20 mechanism. For this purpose, other elements of the drive mechanism may be provided which are not explicitly shown in Figure 1. When the dose part is moved in the proximal direction with respect to the housing for setting a dose, a movement of the piston rod 12 with respect to the housing 13 is preferably prevented.

25 Embodiments of a drive mechanism which are suitable to be provided in the drug delivery device 1 as it was described above are described in more detail below.

Embodiments of a drive mechanism which is suitable for being implemented in the drug delivery device 1 as described above are described in connection with Figures 2 to 7.

30 The drive mechanism comprises a housing part 17. The housing part 17 has a proximal end 18 and a distal end 19. The housing part 17 may be (outer) housing 13 of Figure 1,

- 19 -

a part thereof or an insert within housing 13, which insert is preferably secured against rotational and axial movement with respect to housing 13. The housing part 17 may be an insert sleeve, for example. The insert sleeve may be snap-fitted or glued to housing 13, for example. The housing part 17 may have a tubular shape. Housing part 17 may
5 comprise outer fixing elements 64, for example snap-fit elements, for fixing housing part 17 to housing 13 (cf. Figure 6).

The piston rod 12 is retained in the housing 13, preferably within housing part 17. The piston rod 12 is driven in the distal direction with respect to the housing part 17 during
10 dose delivery.

The drive mechanism furthermore comprises a drive member 20. Drive member 20 is retained within the housing part 17. Drive member 20 is configured to transfer force, preferably torque, to the piston rod 12. The transferred force may cause the piston rod
15 12 to be displaced in the distal direction with respect to the housing part 17 for dose delivery.

Drive member 20 is rotatable with respect to housing part 17. The drive member 20 may engage the piston rod 12. Rotational movement of the drive member, for example
20 rotational movement in a second direction may be converted into distal movement of the piston rod 12 with respect to the housing part 17. This is explained in more detail below.

The drive mechanism furthermore comprises a rotation member 21. The rotation member 21 is rotatable with respect to the housing part 17 in a first direction, in
25 particular for setting of a dose of the drug, and in a second direction, in particular for delivering the set dose. The second direction is opposite to the first direction. The first direction may be counter-clockwise and the second direction may be clockwise as seen from the proximal end of the device, for example.

30 Drive member, rotation member and/or piston rod are preferably configured to be rotatable about a (common) rotation axis. The rotation axis may extend through drive member, rotation member and/or piston rod. The rotation axis may be the main

- 20 -

longitudinal axis of the piston rod. The rotation axis may run between the proximal end and the distal end of the housing part 17.

5 The rotation member 21 is coupled to the drive member 20 by an uni-directional clutch mechanism, in particular a friction clutch mechanism. This clutch mechanism permits rotational movement of the rotation member 21 with respect to the drive member 20 when the rotation member rotates in the first direction with respect to the housing part 17. The clutch mechanism prevents rotational movement of the rotation member 21 with respect to the drive member 20, when the rotation member rotates in the second
10 direction with respect to the housing part 17. The drive member 20 may thus follow rotational movement of the rotation member 21 in the second direction with respect to the housing part 17.

The drive member 20 is arranged to abut and/or engage the rotation member and, in
15 particular, engages rotation member 21. The drive member 20 comprises a tothing 22. Tothing 22 may be provided at one end of the drive member, e.g. its proximal end. The rotation member comprises a tothing 23. Tothings 22 and 23 face one another. Tothing 23 may be provided at one end of the rotation member which end faces the drive member 20, e.g. at the distal end of the rotation member. Tothing 22 comprises a
20 plurality of teeth 24. Tothing 23 comprises a plurality of teeth 25. Teeth 24 and/or 25 may extend and preferably may be oriented along the rotation axis. Tothings 22 and 23 may be configured to mate with one another. The rotation member and the drive member may engage each other by tothings 22 and 23 being in engagement.

25 The teeth 24 and/or teeth 25 may be ramp-shaped, in particular along the azimuthal (angular) direction as seen from the rotation axis. The ramp of the respective tooth is limited (in the angular direction) by a steep end face of that tooth, i.e. a face of the tooth that runs parallel to the rotation axis or includes a smaller angle with the rotation axis when projected on this axis than the ramp when projected on this axis. The steep end
30 face is followed by the ramp of the next tooth.

- 21 -

The teeth 24 may be circumferentially disposed on the drive member 20, particularly at the end of the drive member 20 which faces the rotation member 21. The teeth 25 may be circumferentially disposed on the rotation member 21, particularly at the end of the rotation member 21 which faces the drive member 20.

5

When the steep end faces of two teeth abut and the rotation member is rotated further on in the second direction, the steep sides stay in abutment and drive member 20 follows the rotation of rotation member 21. When the rotation member rotates in the first direction, the ramp of the teeth - which ramps, in particular, run obliquely with respect to the rotation axis - slide along each other and, in consequence, the rotation member 21 may rotate with respect to the drive member 20.

10

The drive mechanism furthermore comprises a stop member 26. The drive member may be arranged between the stop member 26 and the rotation member 21. The stop member 26 is configured for preventing rotational movement of the drive member 20 in the first direction with respect to the housing part 17 during setting of a dose, i.e. when the rotation member rotates in the first direction. Thus, the rotation member 21 may rotate in the first direction with respect to the housing part 17, whereas the drive member 20 and the stop member 26 do not rotate.

15

20

The stop member 26 is coupled to the drive member 20 by another uni-directional clutch mechanism, in particular a friction clutch mechanism. This clutch mechanism prevents rotational movement of the drive member 20 with respect to the stop member 26 when the rotation member 21 rotates in the first direction with respect to the housing part 17.

25

The clutch mechanism permits rotational movement of the drive member 20 with respect to the stop member 26, when the rotation member 21 rotates in the second direction with respect to the housing part 17.

30

Thus, the rotation member 21 may rotate with respect to the drive member 20 and the stop member 26 in the first direction during setting of the dose, with rotation of the drive member 20 being prevented by its interaction with the stop member 26, and rotation

- 22 -

member 21 as well as drive member 20 may rotate with respect to the stop member 26 in the second direction during delivery of the dose.

The stop member 26 may be arranged to abut and/or engage the drive member 20 during setting of the dose and, preferably, during delivery of the dose. The stop member 26 is provided with teeth 27 on that side of the stop member 26 which faces the drive member 20. The teeth 27 may be ramp-shaped with a steep side and a less steep ramp. The teeth 27 may be azimuthally disposed along the stop member 26, in particular on the perimeter of the stop member 26. The teeth 27 may extend and preferably may be oriented along the rotation axis.

The drive member 20 is provided with teeth 28 on that side of the drive member 20 which faces the stop member 26. The teeth 28 may extend and preferably be oriented along the rotation axis. The teeth 24 and the teeth 28 of the drive member 20 are oppositely disposed. The teeth 24 may be configured corresponding to the teeth 25 of the rotation member 21. The teeth 28 may be configured corresponding to the teeth 27 of the stop member 26. The teeth 27 and 28 may face one another and may especially mate with one another. The teeth 27 and 28, in particular the steep sides of the teeth, cooperate, e.g. abut, for preventing rotation of the drive member 20 with respect to the housing part 17 and, in particular, with respect to the stop member 26 in the first direction.

Stop member 26 is preferably secured against rotational movement, particularly preferably permanently secured against rotational movement, with respect to the housing part 17. Stop member 26 may be fixed to the housing or integrated into the housing. Stop member 26 may be fixed against displacement with respect to the housing part 17 or displacement with respect to the housing part 17 may be allowed.

As it is illustrated in the present embodiment, stop member 26 is displaceable with respect to the housing but non-rotatable with respect to the housing part 17. For that purpose, one or a plurality of, preferably oppositely disposed, guide features, for example guide lugs 29, are provided in the stop member 26. The respective guide

- 23 -

feature 29 engages a corresponding guide slot 30 which may be provided in the housing, e.g. in housing part 17. This can be seen in Figures 2 to 5. A guide feature 29 cooperates with a guide slot 30 to prevent rotational movement of the stop member with respect to the housing part 17, with axial movement of the stop member 26 with respect to the housing being allowed. The axial movement of the stop member 26 may compensate for play between components of the drive mechanism during operation.

From the group comprising the drive member 20, the stop member 26 and the rotation member 21 one or more members, preferably two members or three members, may be axially displaceable with respect to the housing part 17 and, preferably, with respect to the piston rod 12. Therein, the drive member and another one of the recited members may be axially displaceable with respect to the housing. The remaining member may be secured against axial displacement or may also be axially displaceable during operation of the drive mechanism for drug delivery. Accordingly, if the drive member and the stop member are axially displaceable, the rotation member may be axially secured or axially displaceable and so on. Play between the components caused by relative (axial) movement of components of the clutch mechanism with respect to the housing can be compensated for in this way. The distance by which the respective components may be axially displaced with respect to the housing may correspond to the (maximum) depth of a tooth of the respective tothing 22 or 28 of the drive member. Alternatively, the distance may be greater than the (maximum) depth of a tooth of the respective tothing.

Furthermore, the drive mechanism comprises a resilient member 31, preferably a spring member. The resilient member 31 may be biased during drug delivery operation of the drive mechanism. The resilient member may provide for a force that tends to keep the drive member 20 in engagement with the stop member 26 and/or the rotation member 21. The force may be exerted along the rotation axis. In the situation shown in Figures 2 and 3, this force may be exerted in the proximal direction. The resilient member 31 may be a helical (coil) spring. The resilient member 31 may be a compression spring.

The resilient member 31 may keep the drive member 20 and the stop member 26 in (permanent) mechanical contact, e.g. in abutment, with each other during setting and

- 24 -

delivery of a dose of the drug. Alternatively or additionally, the resilient member 31 may keep the drive member 20 and the rotation member 21 in (permanent) mechanical contact, preferably abutment, with each other during setting and delivery of a dose of the drug.

5

The resilient member 31 may be integrated within stop member 26 or a separate component. The resilient member 31 may be arranged on the distal end side of the stop member 26.

10 The drive mechanism furthermore comprises a support member 32. Support member 32 is expediently fixed against axial and rotational movement with respect to the housing part 17 or integrated into housing part 17. Support member 32 is arranged on that side of the drive member 20 which is remote from the stop member 26. Support member 32 may be a protrusion, for example a ring-like protrusion. Rotation member 21
15 may extend through an opening in support member 32. The support member 32 may provide for a counter force to the force which is exerted by the resilient member 31. Permanent abutment of the rotation member with the drive member and of the drive member with the stop member during setting and delivery of drug is facilitated in this way.

20

The rotation member 21 has an (radially) outwardly protruding member 33, for example a flange portion. The protruding member 33 is expediently provided for abutting support member 32, in particular the distal end side of support member 32.

25 Another support 48 (cf. Figure 4) may be provided for providing a counterforce to the force exerted by the resilient member 31. Support 48 is arranged on that side of the drive member 20 which is remote from the rotation member 21. Support 48 is arranged on that side of the stop member 26 which is remote from the support member 32. The support 48 may be arranged to abut the resilient member 31. The support 48 may be
30 secured against axial and rotational movement with respect to the housing part 17, with respect to the housing 13 or integrated into the housing 13, for example into (additional) housing part 40 (cf. Figure 4).

- 25 -

The drive mechanism furthermore comprises a dose member 34. Dose member 34 may be dose part 16 or may be a part of the dose part 16 of Figure 1. Dose member 34 is movable with respect to the housing in the proximal direction for setting of a dose and for delivery of the dose. For example, the dose member 34 may be moved in the proximal direction with respect to the housing part 17 during dose setting and in the distal direction with respect to the housing part 17 during dose delivery. The dose member 34 may engage the housing part 17 or, alternatively, another part of housing 13 (not explicitly shown). Dose member 34 is preferably secured against rotational movement with respect to the housing part 17. The dose member 34 may comprise a guide feature 35, for example a guide lug or a guide slot, that engages another guide feature, for example a guide slot or a guide lug, respectively, that is provided in the housing part 17 or the housing 13. The dose member 34 may be displaced with respect to housing part 17 preferably only axially along and/or rotationally around the rotation axis.

Dose member 34 may be moved in the proximal direction and in the distal direction with respect to rotation member 21. Dose member 34 is arranged to be coupleable and is preferably (permanently) coupled to rotation member 21 such that movement of the dose member, e.g. in the proximal direction with respect to the housing part 17, for setting a dose of the drug is converted into rotational movement of the rotation member in the first direction and movement of the dose member, e.g. in the distal direction with respect to the housing part 17, for delivering the dose is converted into rotational movement of the rotation member 21 in the second direction opposite to the first direction.

The rotation member 21 may be arranged inside the dose member 34, or the dose member 34 may be arranged inside the rotation member 21. If the rotation member 21 is arranged inside the dose member 34, the rotation member 21 may be provided with an (outer) thread 36, which may be engaged with an engagement member 42 or with a plurality of engagement members 42 of the dose member 34, preferably on an inner wall of the dose member 34. The engagement member 42 may be a lug or a thread or a

- 26 -

part of a thread, for example. If the dose member 34 is arranged inside the rotation member 21, the dose member 34 may be provided with an (outer) thread, which may be engaged with an engagement member or with a plurality of engagement members of the rotation member 21, preferably on an inner wall of the rotation member 21. Thus, dose member 34 and rotation member 21 may be threadedly coupled, in particularly threadedly engaged.

The rotation member 21, the drive member 20, the stop member 26 and/or the dose member 34 may be or may comprise a respective sleeve. The piston rod 12 may be arranged to be driven and, in particular, may be driven through one of, more of or all of those sleeves. The piston rod 12 may run through one of, more of or all of those sleeves.

The drive member 20 and the piston rod 12 are configured for rotational movement of the drive member 20 with respect to the housing being converted into rotational movement of the piston rod with respect to the housing. The drive member 20 may engage the piston rod 12. The piston rod 12 is displaceable with respect to the drive member 20 along a displacement axis, which is parallel to the rotation axis. The drive member 20 may be splined to the piston rod 12, for example.

The piston rod 12 is threadedly coupled to the housing 13. The piston rod 12 may be provided with an outer thread 49, for example. The piston rod 12 may extend through and be engaged with a (part) thread in opening 39 which is provided in housing part 40, for example in support 48 (cf. Figure 4). Housing part 40 may be formed integrally with housing part 17, may be a housing part fixed thereto or may be a housing part secured separately from housing part 17 to housing 13.

The piston rod 12 comprises an engagement track 37, preferably two oppositely disposed engagement tracks, on the outside. The (respective) engagement track 37 may interrupt thread 49. The (respective) engagement track 37 preferably extends along the axis along which the piston rod is displaceable with respect to the housing and, in particular, with respect to the drive member.

- 27 -

Rotational movement of the drive member 20 with respect to the housing may thus be converted into rotational movement of the piston rod 12 with respect to the housing and the rotational movement of the piston rod 12 is, on account of the threaded engagement
5 of the piston rod and the housing (part), converted into movement of the piston rod with respect to the housing in the distal direction.

The dose part 16 (cf. Figure 1) may comprise a dose button 41 (cf. Figure 6). Dose button 41 may be configured to be gripped by a user. Dose button 41 may be arranged
10 and connected to the dose member 34 at the proximal end. Dose button and dose member may be unitary.

The operation of the drive mechanism will be described in the following. To set a dose, dose member 34 is moved in the proximal direction (arrow 43 in Figure 2) with respect
15 to the housing part 17 (first type of movement). To do so, the user may grip dose button 41 and pull it in the proximal direction. Dose member 34 moves proximally also with respect to the rotation member 21. Proximal movement of the rotation member is prevented by support member 32 which abuts protruding member 33 of rotation
20 member 21. Consequently, the proximal movement of dose member 34 with respect to the housing part 17 is converted into rotational movement of the rotation member 21 in the first direction (arrow 44 in Figure 2) with respect to the housing part 17, in particular on account of the engagement of dose member 34 and rotation member 21. Thus, the rotation member 21 rotates in the first direction with respect to the housing, which in the present embodiment is counter-clockwise as seen from the proximal end of the rotation
25 member 21. The rotation member 21 also rotates with respect to the drive member 20 and to the stop member 26. The drive member 20 is prevented from rotating in the first direction by interaction with the stop member 26, e.g. by interlocking of teeth 27 and 28. As the piston rod 12 is coupled to the drive member 20 and rotation in the first direction of the drive member would cause the piston rod to travel in the proximal direction, the
30 piston rod 12 is prevented from being driven in the proximal direction by interaction of stop member 26 and drive member 20. By preventing the piston rod 12 from moving during dose setting dose accuracy can be increased.

- 28 -

When the rotation member 21 rotates in the first direction, the ramps of the teeth 25 of the rotation member 21 slide along the ramps of the teeth 24 of the drive member 20. Thus, the teeth 25 of the rotation member 21 turn around the rotation axis until they
5 engage the next teeth of the drive member 20. During this movement, the drive member 20 and, in particular, the stop member 26 are displaced along the rotation axis with respect to piston rod 12 and housing by a distance determined by, preferably equal to, the depth of a tooth. When the teeth of the rotation member 21 engage the next teeth of the drive member 20, the force exerted by the resilient member 31 moves the drive
10 member 20 and, in particular, the stop member 26 back along the rotation axis into the axial start position. An according movement of the stop member 26 and the drive member 20 in the distal direction and back into the proximal direction is indicated by the double arrow 45 in Figures 2 and 3. A tooth of the rotation member which engages the next tooth of the drive member may cause an audible and/or tactile feedback to the
15 user.

The drive mechanism is especially suitable for a fixed-dose device. The size of the fixed dose of drug which is to be delivered is preferably determined by the distribution of the teeth of the respective toothings in the drive member, rotation member and stop
20 member. The rotation member 21 may especially have to be rotated over only one tooth of the drive member 20 in order to set a fixed dose. The number of teeth in the drive member 20 over which the rotation member 21 rotates during dose setting may determine the size of the dose which is actually delivered. The dose member and the rotation member may be adapted to one another such that the rotation member may
25 rotate only by one tooth for a fixed dose device and by more than one tooth for a variable dose device.

After the dose has been set, the dose part 16 and with it the dose member 34 is moved (pushed) by the user in the distal direction with respect to housing part 17 (opposite
30 direction of arrow 43; second type of movement). Thus, the dose member 34 is moved in the distal direction with respect to the housing part 17. The rotation member 21 accordingly rotates in the second direction, which is opposite to the first direction, with

- 29 -

respect to the housing (opposite direction of arrow 44). The drive member 20 follows rotational movement of the rotation member 21 in the second direction. Rotational movement of the drive member 20 in the second direction is converted into rotational movement of the piston rod 12 in the second direction, which movement, in turn, is converted into movement of the piston rod 12 in the distal direction. Accordingly, the piston 10 may be displaced in the distal direction with respect to the cartridge 4 and a dose of drug 5 is dispensed from the cartridge the amount of which corresponds to the previously set dose.

During dose delivery, the toothings 22 and 23 interlock and the ramps of the teeth 28 of the drive member 20 slide along the ramps of the teeth 27 of the stop member 26. This movement is similar to the relative rotational movement of the rotation member and the drive member described above, but for an opposite rotation direction. The stop member 26 is thereby displaced in the distal direction with respect to the drive member 20 by a distance corresponding to the depth of a tooth 27 of the stop member 26. The resilient member 31 forces the stop member 26 back into the axial start position, when the next teeth 28 of the drive member 20 are engaged by the teeth 27 of the stop member 26. A tooth of the drive member which engages the next tooth of the stop member may cause an audible and/or tactile feedback to the user.

Figure 8 shows a partial cross-section of an embodiment of a drug delivery device provided with an embodiment of the drive mechanism. A cartridge unit 2 at the distal end 7 comprises a cartridge retaining member 11. A drive unit 3 in the housing part 17 at the proximal end 8 comprises the drive member 20, the rotation member 21 and the stop member 26, which are kept in engagement by the resilient member 31. The drive unit 3 is provided to move the piston rod 12 in the distal direction in order to advance the piston 10. The drive member 20 may be provided with a guide feature 62, which may be a circular groove on the circumference of the drive member 20, for example. In this embodiment a spacer element 57 is arranged between the drive member 20 and the rotation member 21. A separating member, which is not shown in Figure 8, is disposed between the rotation member 21 and the stop member 26 and may have the shape of a sleeve surrounding the drive member 20, for example. The separating

- 30 -

member disengages the rotation member 21 and the stop member 26 from the drive member 20 when the cartridge unit 2 is removed.

Figure 9 shows an exploded view of the important components of the central part of an embodiment of the drive mechanism. They are shown from left to right in the sequence of their arrangement within the drive mechanism: the resilient member 31, the stop member 26, the separating member 50, the drive member 20, the spacer element 57, and the rotation member 21. In this embodiment, the separating member 50 is particularly a sleeve, which may be provided with a guide feature 65 on its inner wall. The guide features 62, 65 of the drive member 20 and the separating member 50, if provided, are engaged to prevent an axial shift of the drive member 20 and the separating member 50 relative to one another. A coupling feature 51 of the separating member 50 is provided to engage with the cartridge retaining member 11 or with a part that is fastened to the cartridge retaining member 11 in such a way that a rotation of the cartridge retaining member 11 rotates the separating member 50.

The separating member 50 is provided with inclined end faces 52, 53 surrounding openings, which allow the teeth 27 of the stop member 26 and the teeth 25 of the rotation member 21 to engage the corresponding teeth 24, 28 of the drive member 20. In the example shown in Figure 9, the teeth 24, 25, 27, 28 are arranged in such a manner that the rotation member 21 is rotated clockwise with respect to the housing part 17, as seen from the proximal end of the device, for setting a dose of the drug, and counter-clockwise for delivering a dose. The teeth 24, 25, 27, 28 may instead be arranged as shown in Figure 3. The stop member 26 has an inclined surface 66, which faces one of the inclined end faces 52 of the separating member 50. The spacer element 57 has an inclined surface 67, which faces the other one of the inclined end faces 53 of the separating member 50. If the cartridge retaining member 11 is attached and the drive mechanism is ready for use, the inclined surface 66 of the stop member 26 and the inclined surface 67 of the spacer element 57 are both in full contact with the corresponding inclined end face 52, 53 of the separating member 50.

- 31 -

In the embodiment according to Figure 9, the rotation member 21 is provided with a flat surface 61 which abuts the spacer element 57, so that the rotation member 21 and the spacer element 57 are allowed to rotate relatively to one another. The spacer element 57 is rotationally locked with the housing 13 or the housing part 17. This allows the rotation member 21 to rotate during a drug delivery without rotating the spacer element 57, so that both inclined end faces 52, 53 of the separating member 50 stay in full contact with the corresponding inclined surface 66, 67 of the stop member 26 and the spacer element 57, respectively. This means that, owing to the resilient member 31, the stop member 26 and the rotation member 21 are always engaged with the drive member 20. The function of the separating member 50 will be described in the following in conjunction with Figures 10 to 13.

Figure 10 shows a partial cross-section of the device of Figure 8 in a state requiring a reset operation. The piston rod 12 has been advanced to its most distal position. The stop member 26, the drive member 20, the spacer element 57 and the rotation member 21 are still held in abutment by the resilient member 31. The separating member 50 is still in a position in which the inclined end faces 52, 53 are in full contact with the corresponding inclined surfaces 66, 67 of the stop member 26 and the spacer element 57, respectively, and the stop member 26 and the rotation member 21 are both engaged with the drive member 20. In this state, the piston rod 12 cannot be reset to its most proximal position without rotating the drive member 20, because the piston rod 12 is threadedly engaged with the housing 13 or housing part 17 and rotationally locked with the drive member 10. The drive member 20, on the other hand, is unidirectionally rotationally engaged with the stop member 26 in such a manner that a rotation of the drive member 20 is not allowed in the direction which causes the piston rod 12 to move back in the proximal direction. A reset of the piston rod 12 therefore necessitates a disengagement of the piston rod 12 from the unidirectional rotational locking. This disengagement is effected by means of the separating member 50 when the cartridge unit 2 is removed by a rotation or helical movement of the cartridge holder or cartridge retaining member 11 with respect to the housing part 17 containing the drive unit 3.

- 32 -

Figure 11 shows a cross-section according to Figure 10 after a partial removal of the cartridge retaining member 11. Because of the coupling feature 51 of the separating member 50, a rotation of the cartridge retaining member 11 is accompanied by a corresponding rotation of the separating member 50. During the rotation the inclined end faces 52, 53 of the separating member 50 slide on the corresponding inclined surfaces 66, 67 of the stop member 26 and the spacer element 57, which are rotationally locked to the housing 13 or housing part 17. While the cartridge retaining member 11 rotates, the distance between the stop member 26 and the spacer element 57 is continuously enlarged until only the most protruding sections of the inclined end faces 52, 53 and inclined surfaces 66, 67 are still in contact. The distance between the stop member 26 and the spacer element 57, and hence the distance between the stop member 26 and the rotation member 21, thus reaches its maximum. As a consequence, the stop member 26 and the rotation member 21 are disengaged from the drive member 20. If guide features 62, 65 are provided to prevent an axial shift of the drive member 20 with respect to the separating member 50, the guide features 62, 65 ensure that the stop member 26 and the rotation member 21 are both disengaged from the drive member 20.

Figure 12 shows a cross-section according to Figure 11 after a complete removal of the cartridge retaining member 11 and a reset of the piston rod 12. The piston rod 12 can be rotated together with the drive member 20, because the separating member 50 completely disengages both the stop member 26 and the rotation member 21 from the drive member 20 against the force exerted by the resilient member 31. This allows the piston rod 12 to be helically moved back in the proximal direction into its initial position, guided by the threaded coupling of the piston rod 12 to the housing 13 or housing part 17. After the reset of the piston rod 12 the cartridge retaining member 11, provided with a new cartridge, can be attached to the housing part 17 of the drive unit 3. The rotation of the separating member 50 is thus reversed, and the stop member 26, the drive member 20 and the rotation member 21 are again engaged by means of the resilient member 31.

- 33 -

Figure 13 shows a cross-section according to Figure 12 with the cartridge retaining member 11 attached. The separating member 50 is now in the same position as before the removal of the cartridge retaining member 11. The inclined end faces 52, 53 are in full contact with the corresponding inclined surfaces 66, 67 of the stop member 26 and the spacer element 57, and the stop member 26 and the rotation member 21 are both engaged with the drive member 20.

In a further embodiment the surface 61 of the rotation member 21 may be an inclined surface abutting the opposite inclined end face 53 of the separating member 50. In this case no spacer element 57 is necessary. As long as the cartridge retaining member 11 is attached, the separating member 50 is not able to rotate with respect to the housing 13 or housing part 17. When the rotation member 21 rotates, the inclined surface 61 therefore slides on the abutting inclined end face 53 of the separating member 50. This results in a reciprocating axial movement of the rotation member 21. During each turn of the rotation member 21, the reciprocating axial movement intermittently engages and disengages the rotation member 21 and the drive member 20. No disadvantage arises therefrom during the setting of a dose, when the rotation member 21 is not able to rotate the drive member 20 because of the unidirectional rotational coupling of the drive member 20 with the stop member 26. During the delivery, on the other hand, the number of turns of the drive member 20 will be less than the number of turns of the rotation member 21, because the drive member 20 is not continuously engaged with the rotation member 21. This condition can be taken account of by an appropriate adjustment of the set operation, for example, in order to increase the total number of rotations of the rotation member 21, so that the drive member 20 will reach the number of rotations necessary to deliver the desired dose.

In a further embodiment, the separating member is a lever 54 as shown in Figure 14. The lever 54 is rotatable around a pivot 55, which is fixed with respect to the housing 13 or housing part 17. A resilient element 56, drawn schematically in Figure 14 by way of example, acts on the lever 54 and tends to rotate the lever 54. As long as the cartridge retaining member 11 is attached and pushes the coupling feature 51 of the lever 54, the lever 54 stays in a position in which it does not interfere with the engagement of the

- 34 -

stop member 26, the drive member 20 and the rotation member 21. When the cartridge retaining member 11 is removed, the lever 54 is free to rotate, and the resilient element 56 turns the lever 54 into a position in which the lever 54 acts on the rotation member 21 and the stop member 26 to enlarge the distance between them, thus causing a
5 disengagement of the rotation member 21 and the stop member 26 from the drive member 20.

In a further embodiment, shown in Figure 15, the separating member 60 is rotatable with respect to the housing 13 and comprises splaying legs 58, 59, which are provided
10 with coupling features 63. Guide features 68, 69, which are separately shown on the right hand side of Figure 15, are provided at the housing 13 or the housing part 17 and guide the coupling features 63. During a rotation of the cartridge retaining member 11 and a corresponding rotation of the separating member 60 by means of the coupling feature 51, the angle between the splaying legs 58, 59 varies according to the
15 movement of the coupling features 63 along the guide features 68, 69. The axial distance between the coupling features 63 varies between a small distance d_1 and a large distance d_2 , so that the splaying legs 58, 59 approach or spread apart. The guide features 68, 69 are arranged in such a fashion that the splaying legs 58, 59 are splayed when the cartridge retaining member 11 is removed, and the splaying legs 58, 59 act on
20 the stop member 26 and the rotation member 21 in opposite directions and disengage them from the drive member 20.

Although the present invention and its advantages have been described in detail, it should be understood that various changes, substitutions and alterations can be made
25 herein without departing from the spirit and scope of the invention as defined by the appended claims.

- 35 -

Reference numerals

	1	drug delivery device
	2	cartridge unit
5	3	drive unit
	4	cartridge
	5	drug
	6	outlet
	7	distal end of the device
10	8	proximal end of the device
	9	membrane
	10	piston
	11	cartridge retaining member
	12	piston rod
15	13	housing
	14	proximal end side of the cartridge unit
	15	distal end side of the housing
	16	dose part
	17	housing part
20	18	proximal end of housing part
	19	distal end of housing part
	20	drive member
	21	rotation member
	22	toothing
25	23	toothing
	24	tooth
	25	tooth
	26	stop member
	27	tooth
30	28	tooth
	29	guide feature
	30	guide slot

- 36 -

31 resilient member
32 support member
33 protruding member
34 dose member
5 35 guide feature
36 thread
37 engagement track
38 engagement feature
39 opening
10 40 housing part
41 dose button
42 engagement member
43 arrow
44 arrow
15 45 arrow
47 arrow
48 support
49 thread
50 separating member
20 51 coupling feature
52 inclined end face
53 inclined end face
54 lever
55 pivot
25 56 resilient element
57 spacer element
58 splaying leg
59 splaying leg
60 separating member
30 61 surface
62 guide feature
63 coupling feature

- 37 -

	64	fixing element
	65	guide feature
	66	inclined surface
	67	inclined surface
5	68	guide feature
	69	guide feature
	d1	small distance
	d2	large distance

- 38 -

Claims

1. A drive mechanism for a drug delivery device (1), comprising:
 - a housing (13, 17, 40),
 - 5 - a unit (2) which is attachable to the housing (13, 17, 40) and removable from the housing (13, 17, 40),
 - a drive member (20) arranged inside the housing (13, 17, 40), the drive member (20) being rotatable with respect to the housing (13, 17, 40),
 - a rotation member (21) arranged inside the housing (13, 17, 40), the rotation member
 - 10 (21) being rotatable with respect to the housing (13, 17, 40),
 - a clutch unidirectionally rotationally engaging the rotation member (21) with the drive member (20) when the unit (2) is attached to the housing (13, 17, 40),
 - a stop member (26) rotationally locked with respect to the housing (13, 17, 40) or forming part of the housing (13, 17, 40),
 - 15 - a further clutch unidirectionally rotationally engaging the stop member (26) with the drive member (20) when the unit (2) is attached to the housing (13, 17, 40),
 - a separating member (50, 54, 60) disposed between the rotation member (21) and the stop member (26), the separating member (50, 54, 60) causing a separation of the rotation member (21), the drive member (20) and the stop member (26) when the unit
 - 20 (2) is removed, thereby disengaging the clutch and the further clutch, and
 - a coupling feature (51) of the separating member (50, 54, 60), the coupling feature (51) being provided to engage the unit (2) and to move the separating member (50, 54, 60) when the unit (2) is being attached to the housing (13, 17, 40) or is being removed.
- 25 2. The drive mechanism of claim 1, wherein the unit (2) comprises a cartridge retaining member (11).
3. The drive mechanism of claim 1 or 2, wherein
 - the drive member (20) is arranged between the rotation member (21) and the stop
 - 30 member (26),
 - the separating member (50) is a sleeve,
 - the coupling feature (51) is provided to generate a rotation of the separating member

- 39 -

(50), and

the separating member (50) is provided with inclined end faces (52, 53).

4. The drive mechanism of claim 3, further comprising:

- 5 an inclined surface (61) of the rotation member (21), said inclined surface (61) abutting one of the inclined end faces (53) of the separating member (50), and
an inclined surface (66) of the stop member (26), said inclined surface (66) abutting the other one of the inclined end faces (52) of the separating member (50).

10 5. The drive mechanism of claim 3, further comprising:

- an inclined surface (66) of the stop member (26), said inclined surface (66) abutting one of the inclined end faces (52) of the separating member (50), and
a spacer element (57) arranged between the separating member (50) and the rotation member (21), the spacer element (57) being provided with an inclined surface (67)
15 abutting the other one of the inclined end faces (53) of the separating member (50).

6. The drive mechanism of claim 5, wherein

the spacer element (57) is rotationally locked with respect to the housing (13, 17, 40).

20 7. The drive mechanism of one of claims 3 to 6, further comprising:

- a guide feature (65) of the separating member (50) and
a corresponding guide feature (62) of the drive member (20), the corresponding guide feature (62) engaging the guide feature (65) of the separating member (50) in such a manner that a rotation of the drive member (20) with respect to the separating member
25 (50) is allowed and an axial movement of the drive member (20) with respect to the separating member (50) is prevented.

8. The drive mechanism of claim 1 or 2, wherein

- the drive member (20) is arranged between the rotation member (21) and the stop
30 member (26), and

the separating member (50, 54, 60) is a lever (54) which is rotatable around a pivot (55) that is fixed with respect to the housing (13, 17, 40).

- 40 -

9. The drive mechanism of claim 8, further comprising:

a resilient element (56) acting on the lever (54) and tending to rotate the lever (54) into a position that causes a separation of the rotation member (21), the drive member (20) and the stop member (26).

10. The drive mechanism of claim 1 or 2, wherein

the drive member (20) is arranged between the rotation member (21) and the stop member (26), and

the separating member (60) is rotatable and comprises splaying legs (58, 59).

11. The drive mechanism of claim 10, further comprising:

coupling features (63) provided on the splaying legs (58, 59) and

guide features (68, 69) of the housing (13, 17, 40), the guide features (68, 69) guiding the coupling features (63),

an axial distance between the guide features (68, 69) varying from a small distance (d1) to a large distance (d2), thus causing the splaying legs (58, 59) to be either splayed apart or to approach one another when the separating member (60) is rotated with respect to the housing (13, 17, 40).

12. The drive mechanism of one of claims 1 to 11, further comprising:

a resilient member (31) arranged to keep the stop member (26), the drive member (20) and the rotation member (21) in mechanical contact with each other during setting and delivery of a dose.

13. The drive mechanism of one of claims 1 to 12, wherein,

when the unit (2) is removed, the rotation member (21), the drive member (20) and the stop member (26) are separated, thus permitting a reset of a piston rod (12), which is rotationally coupled to the drive member (20).

14. A drug delivery device comprising a drive mechanism according to one of claims 1 to 13.

- 41 -

15. The drug delivery device of claim 14 in the shape of a pen-type injector.

16. The drug delivery device of claim 14 or 15, wherein the drive mechanism is provided
5 for setting and delivering a fixed dose.

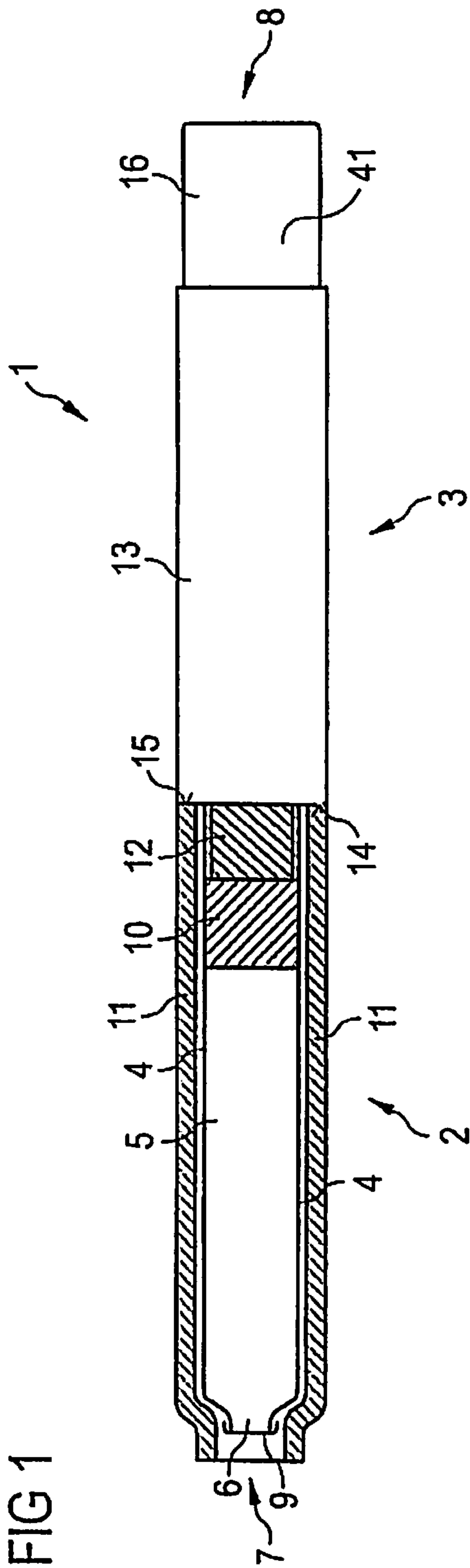


FIG 1

FIG 2

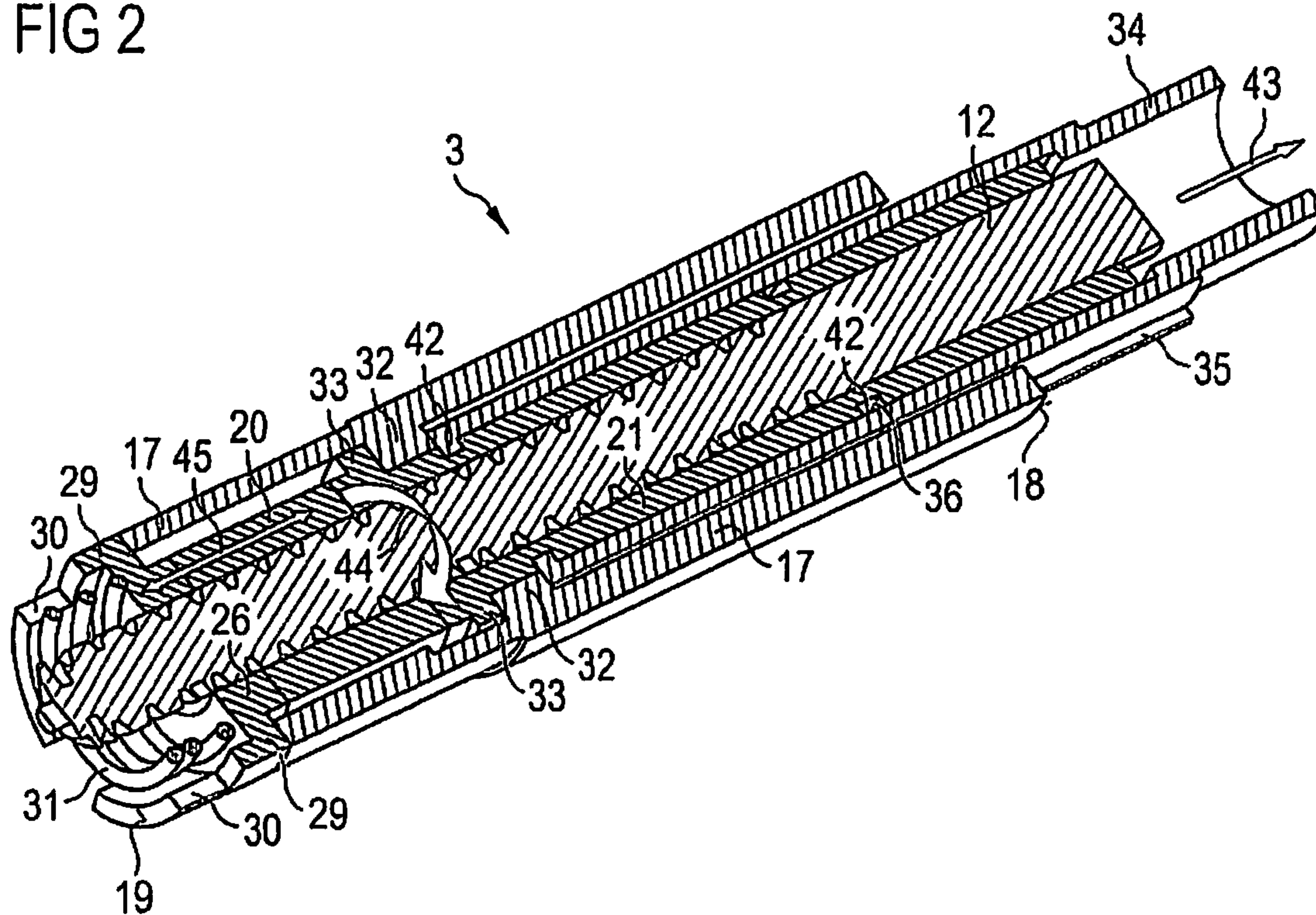


FIG 3

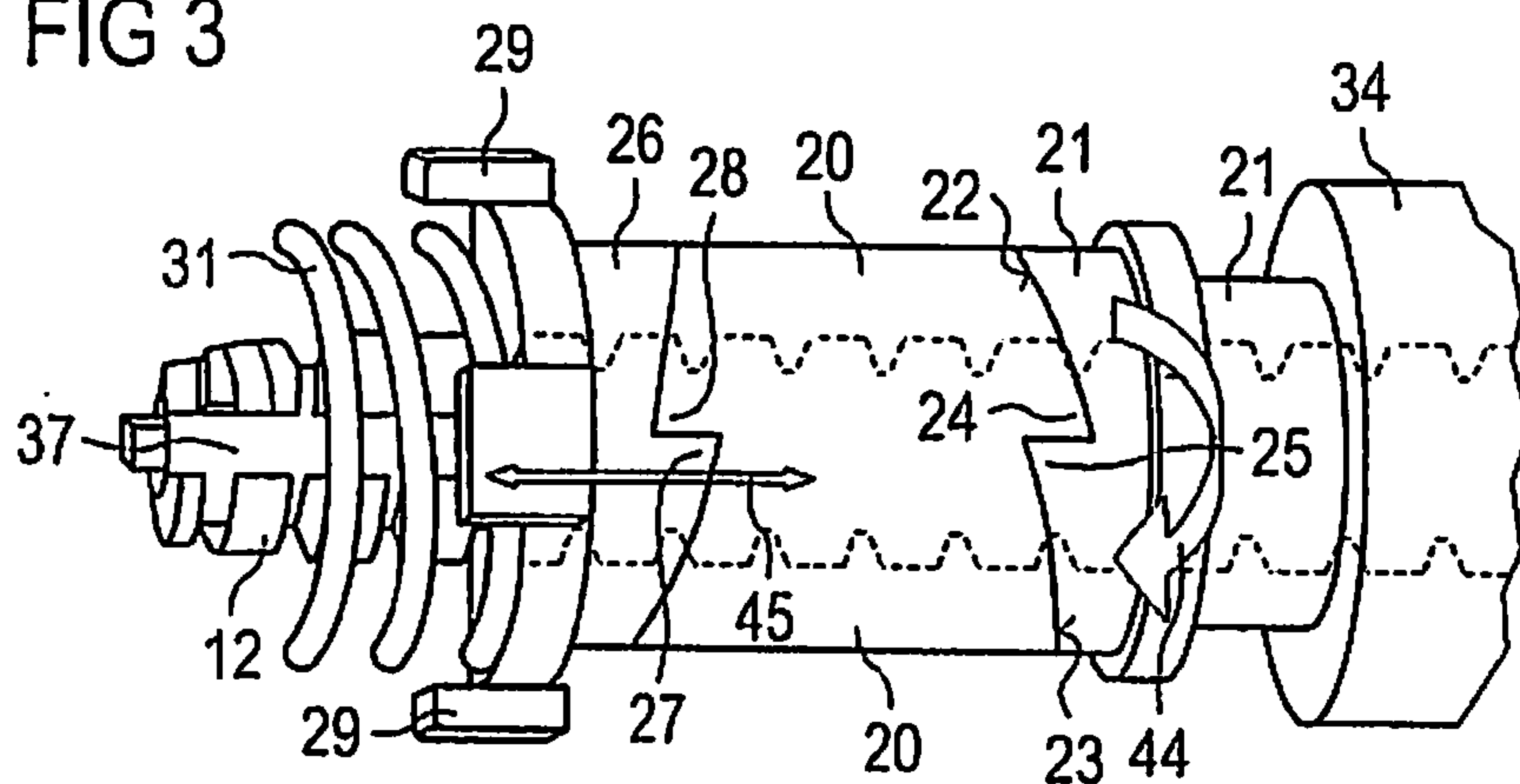


FIG 4

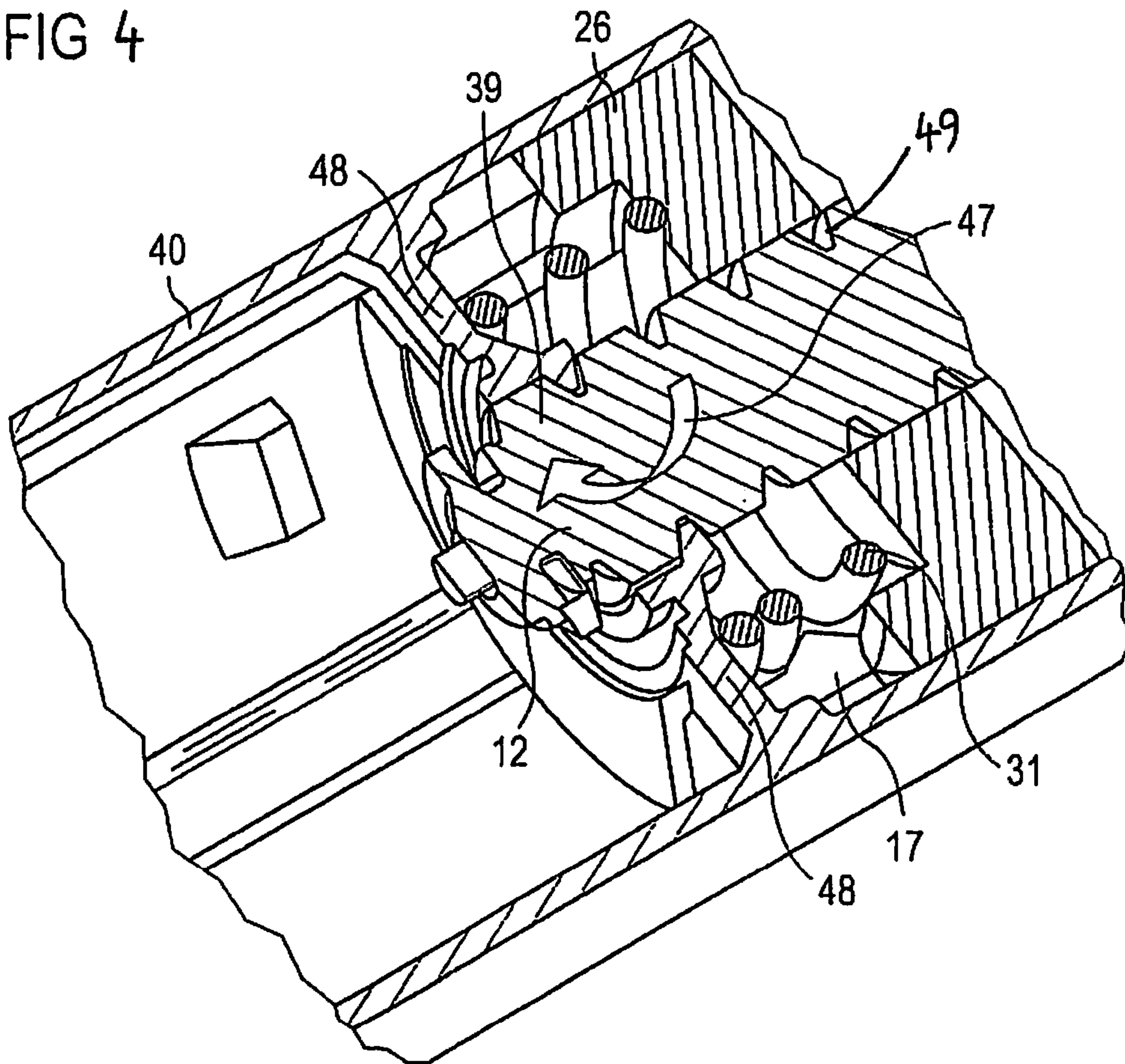


FIG 5

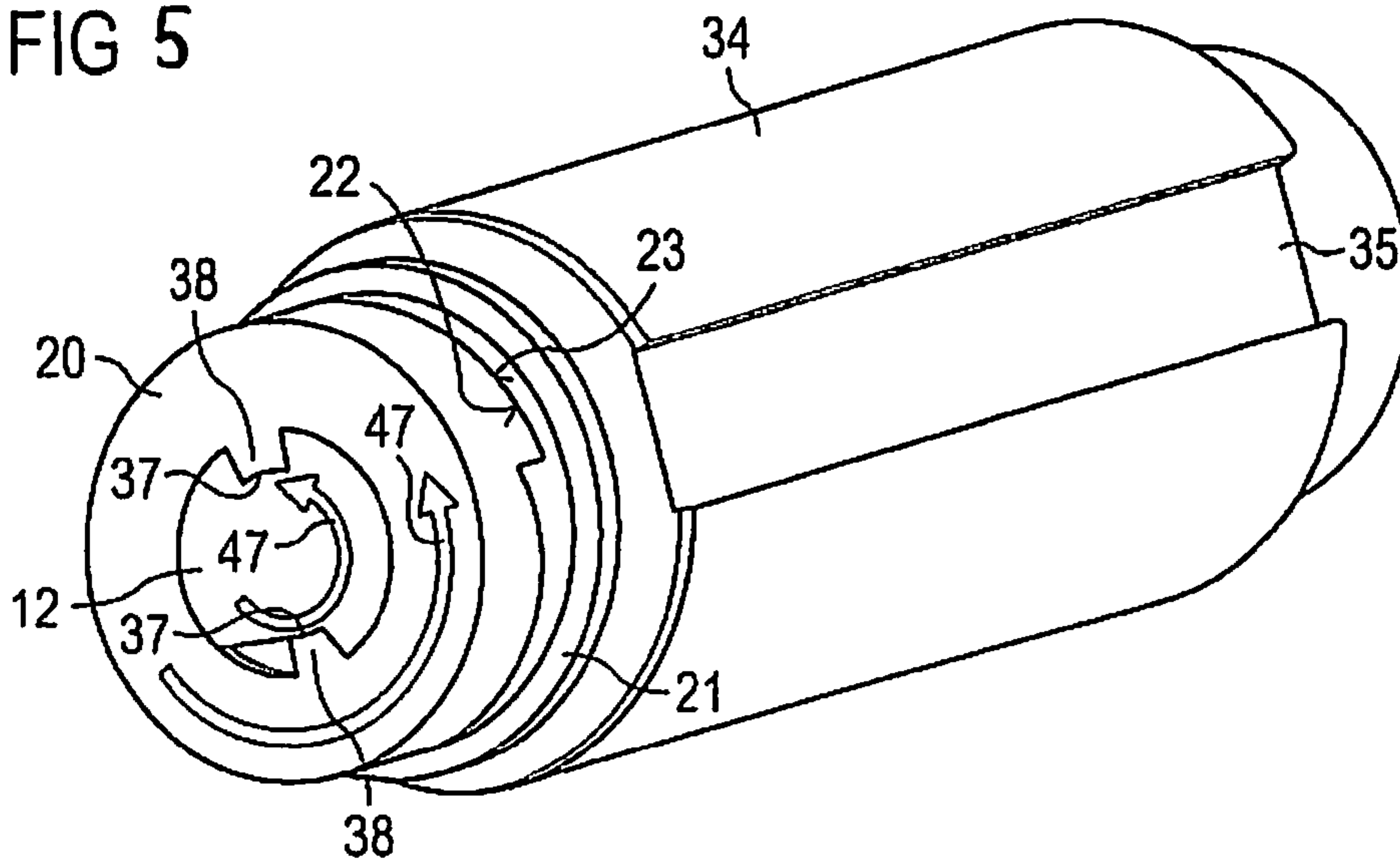


FIG 6

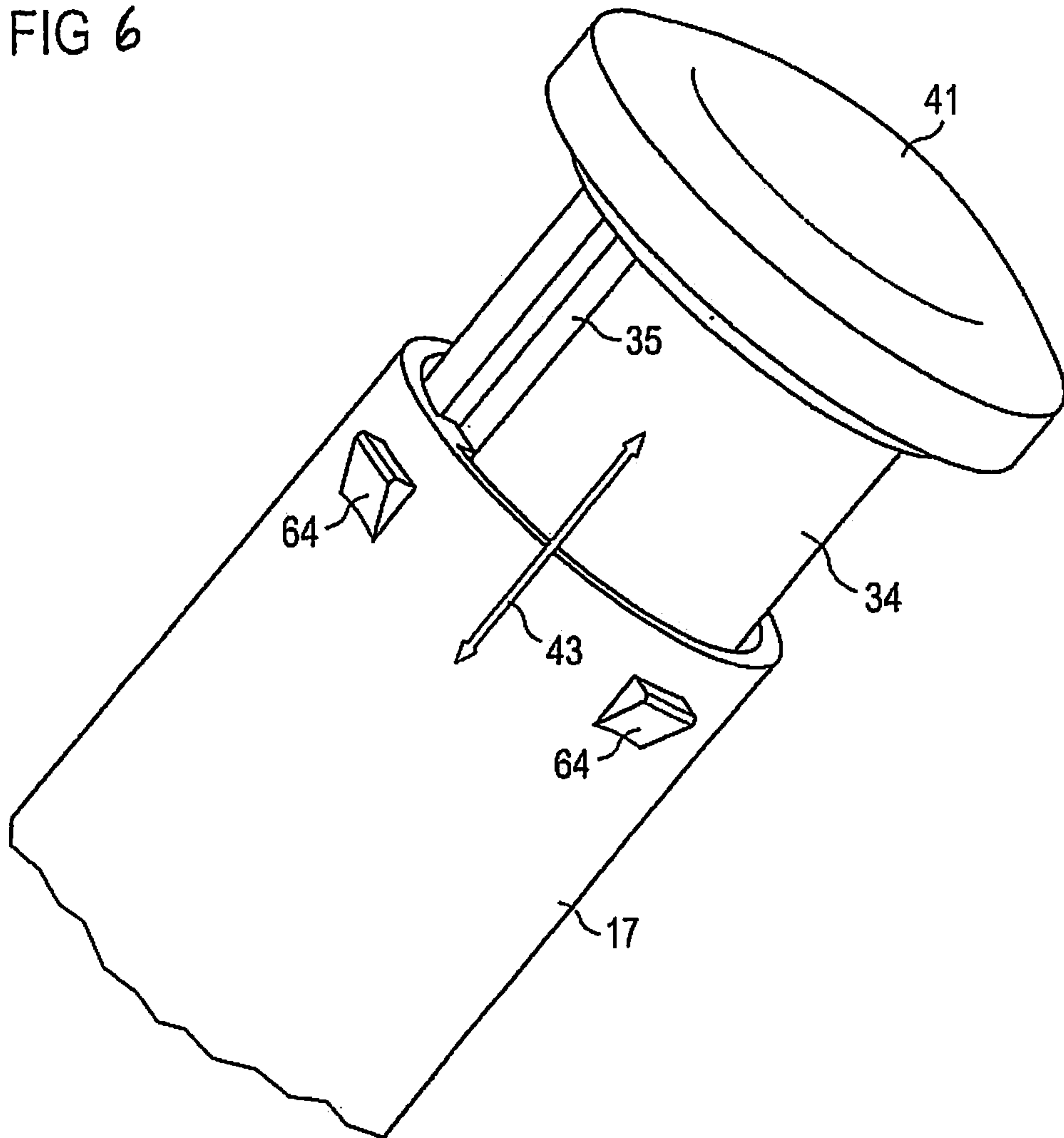
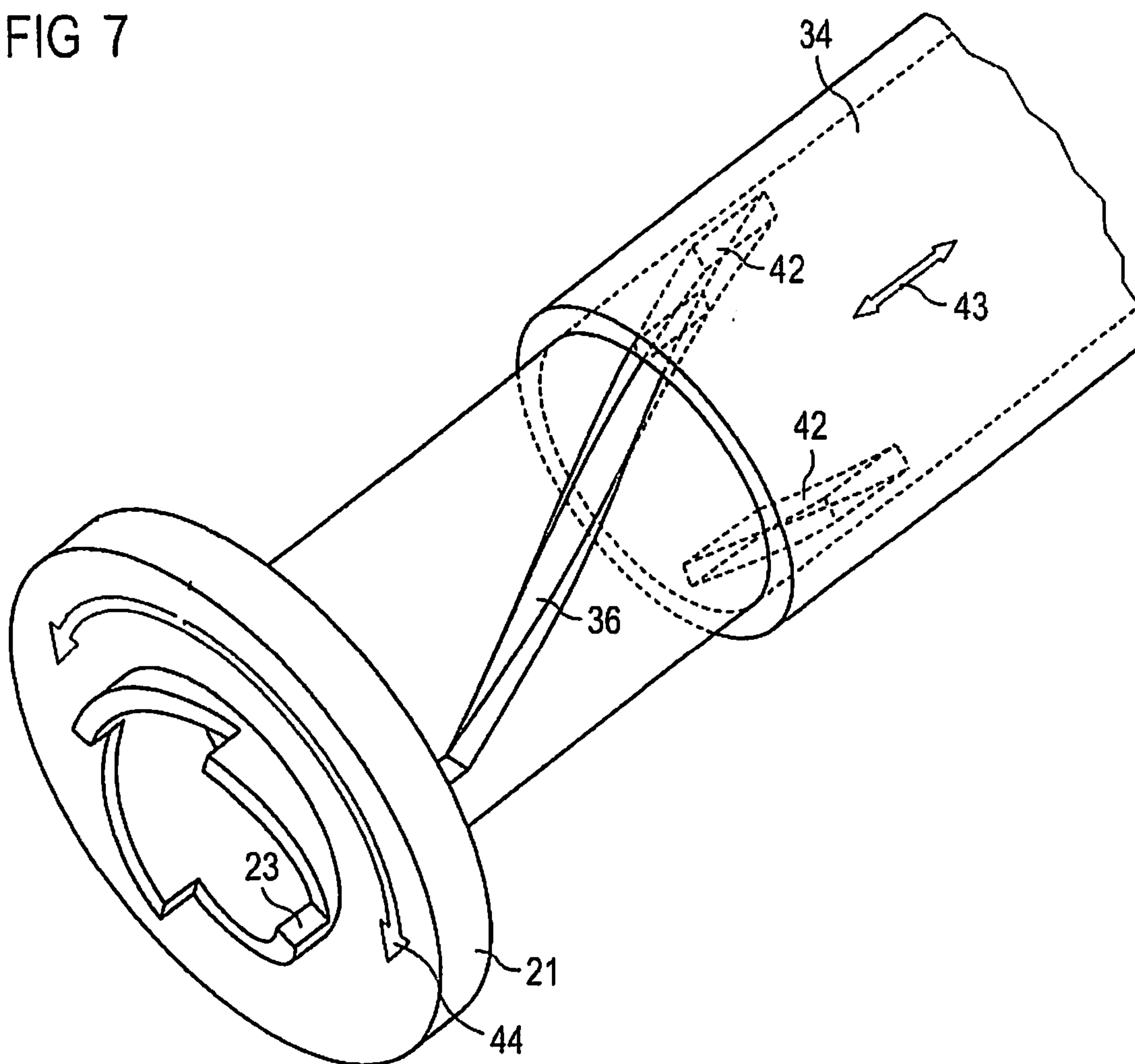
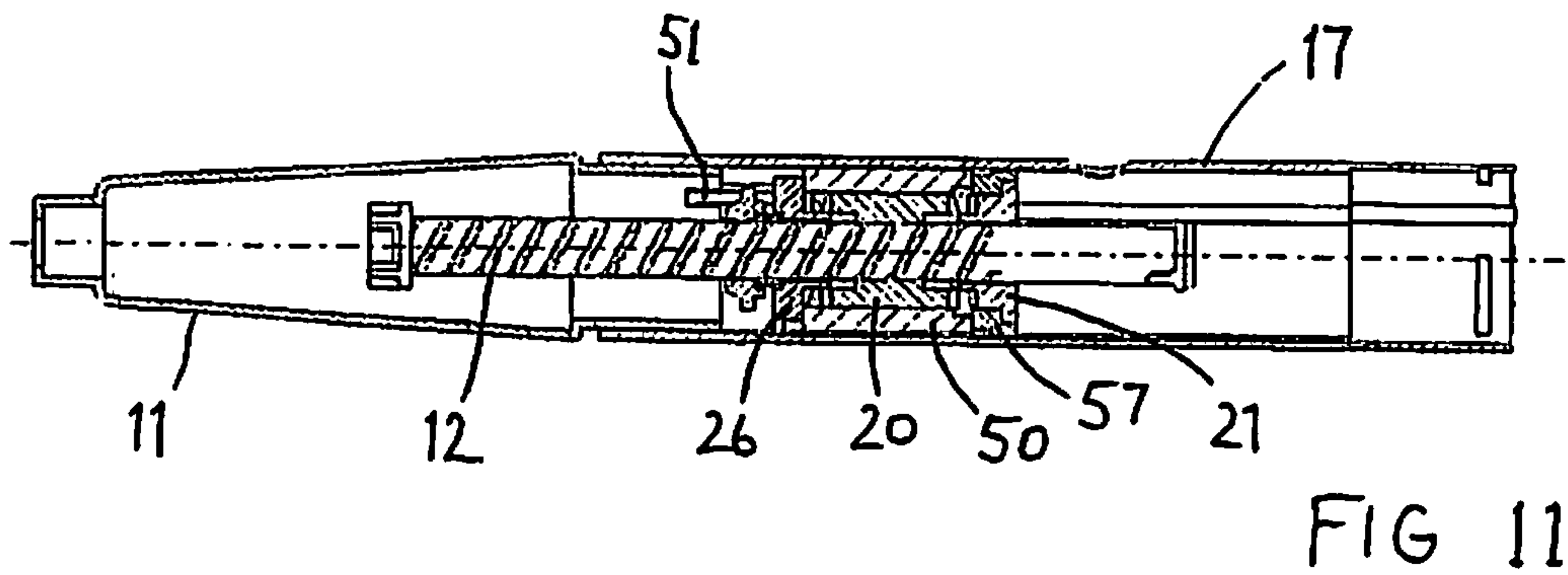
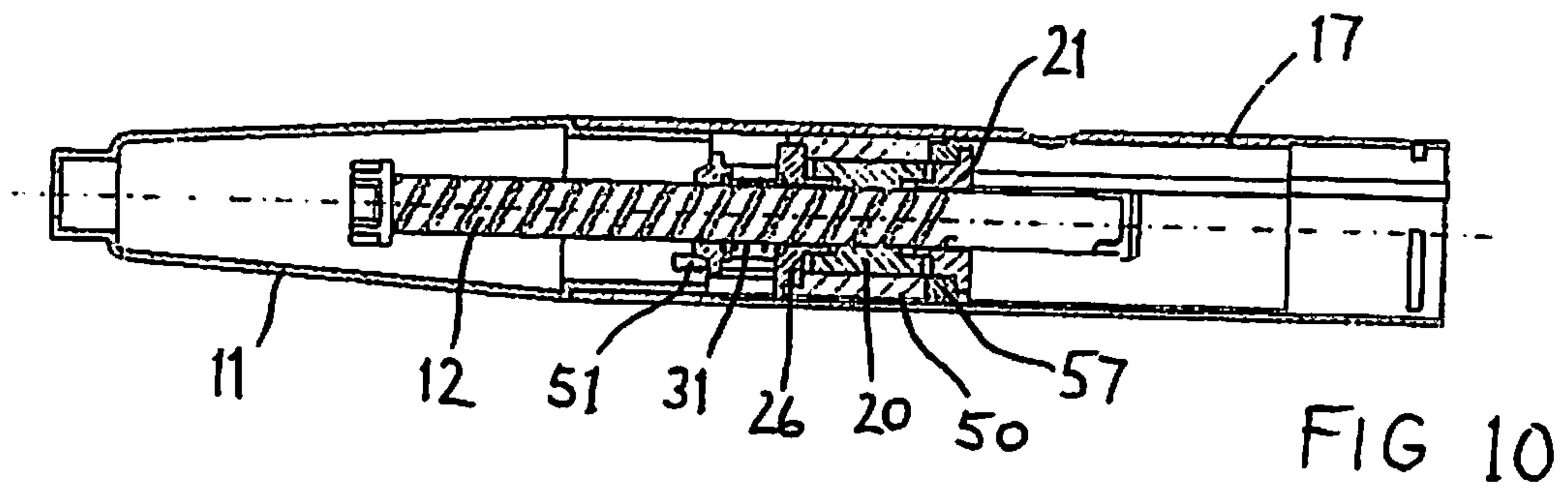
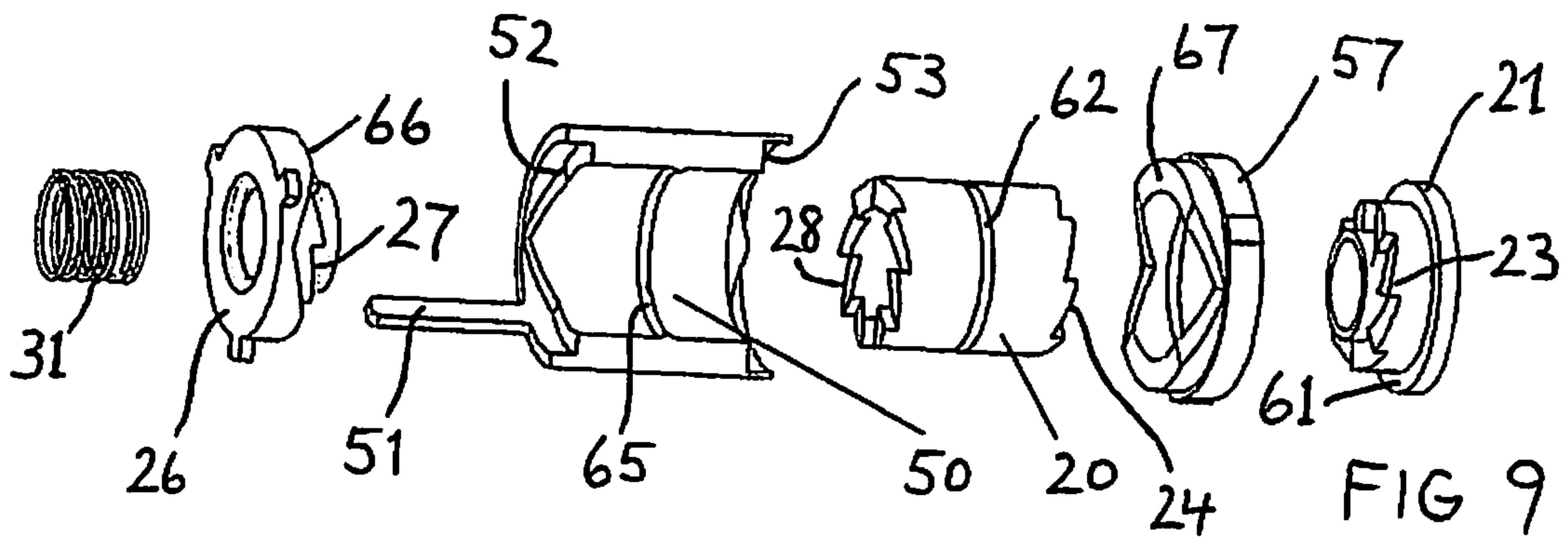
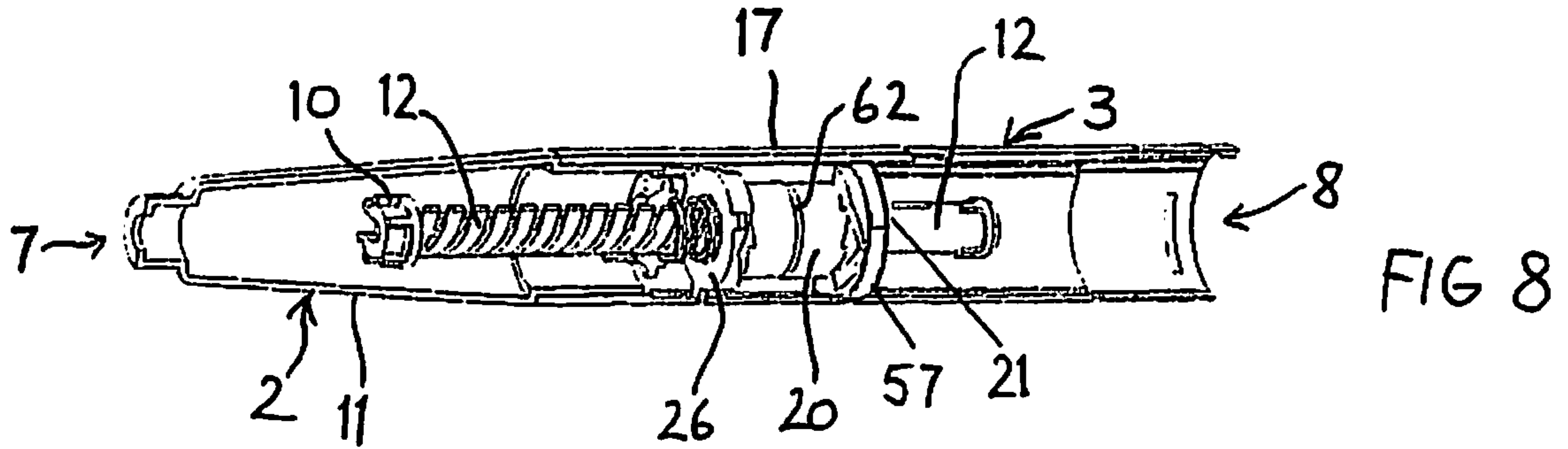
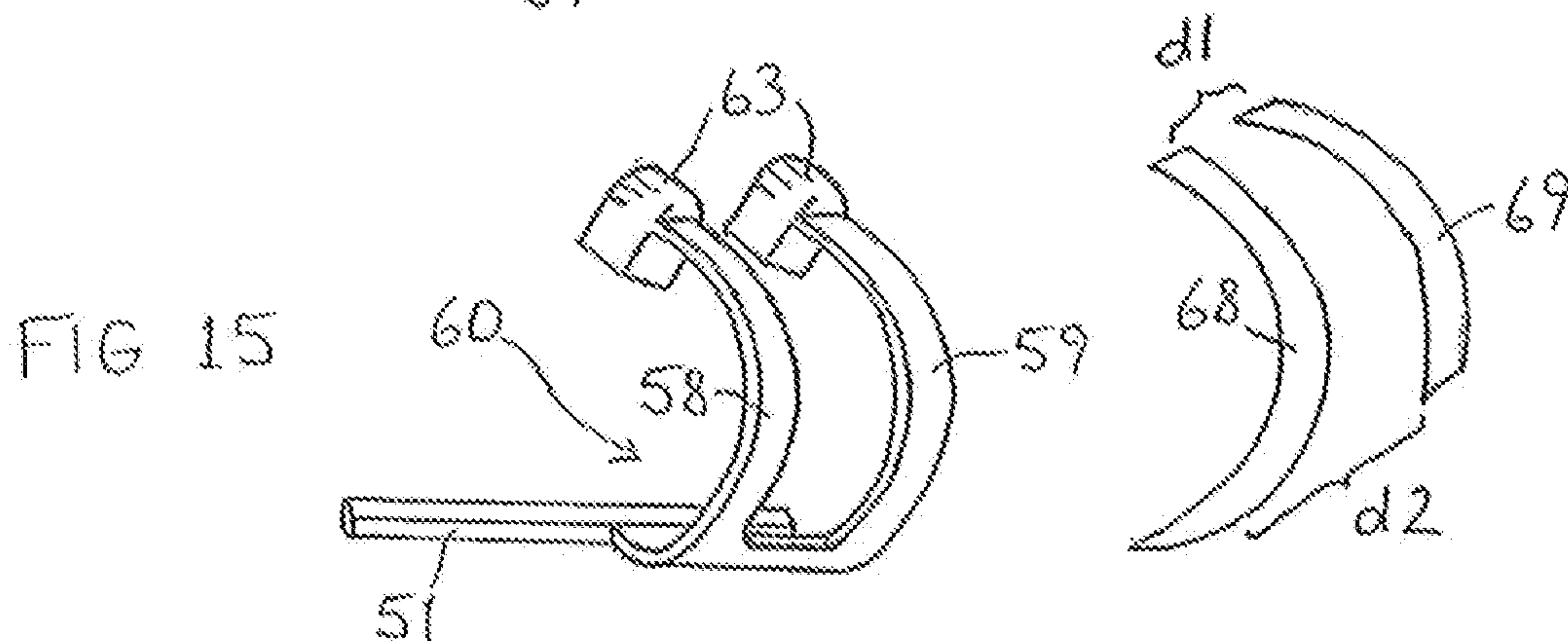
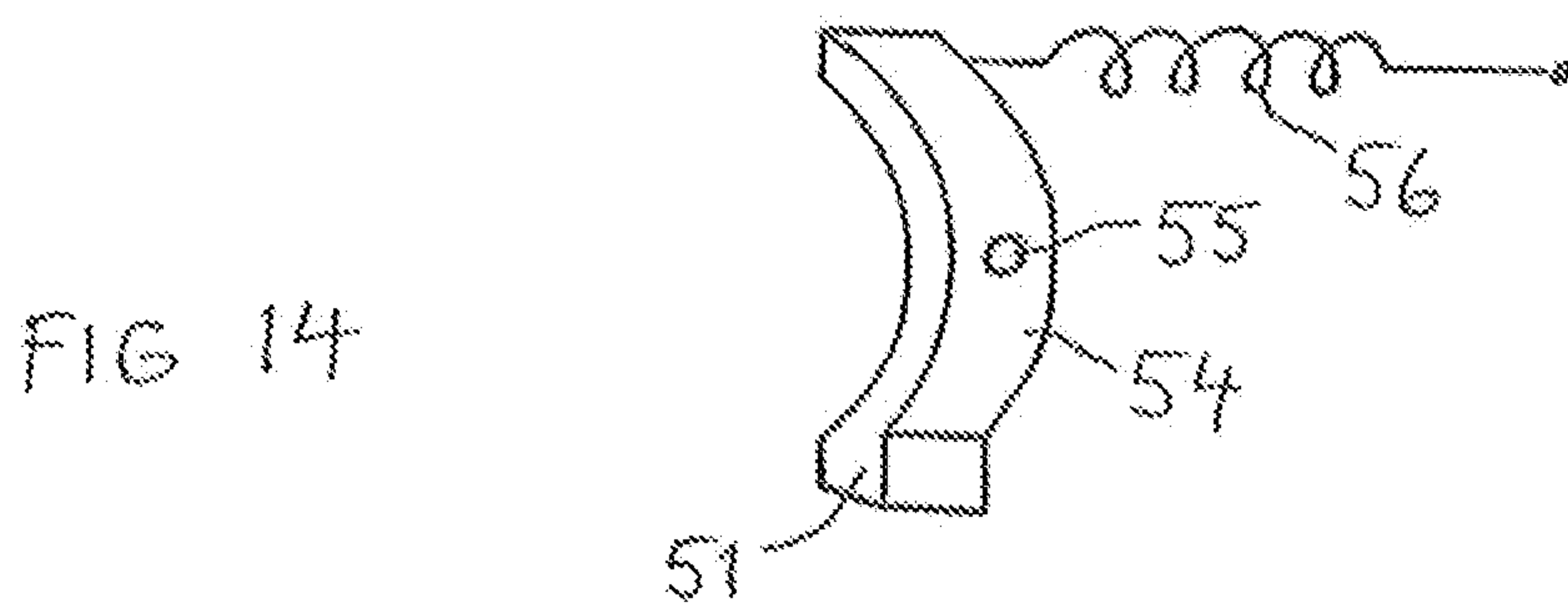
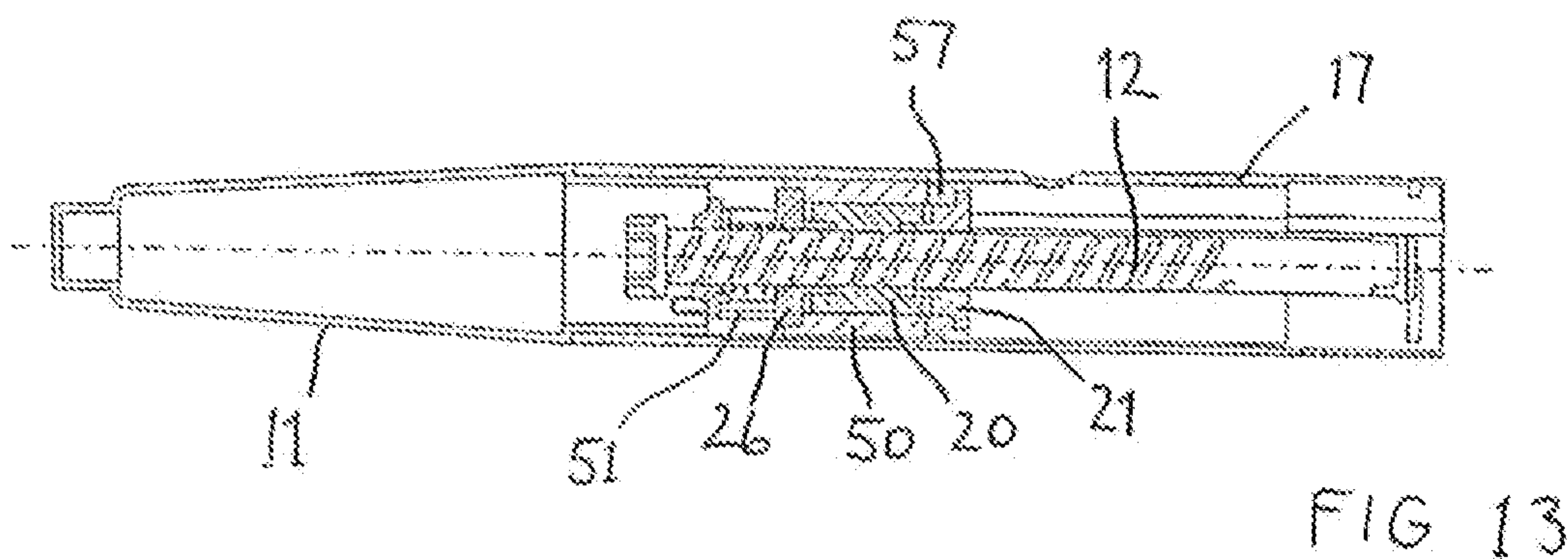
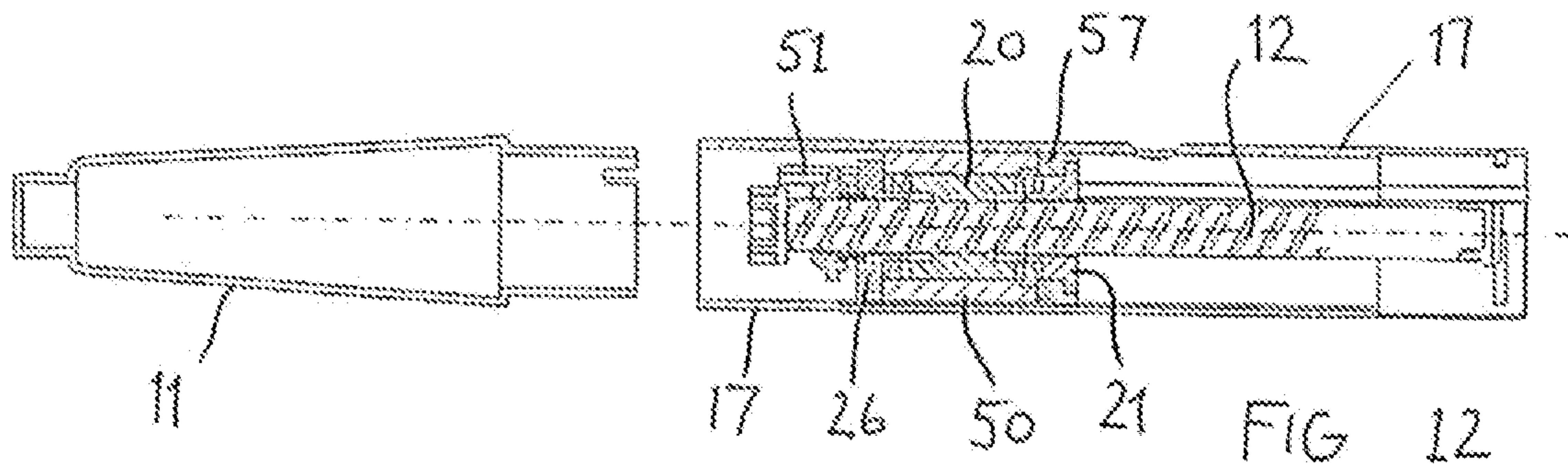


FIG 7







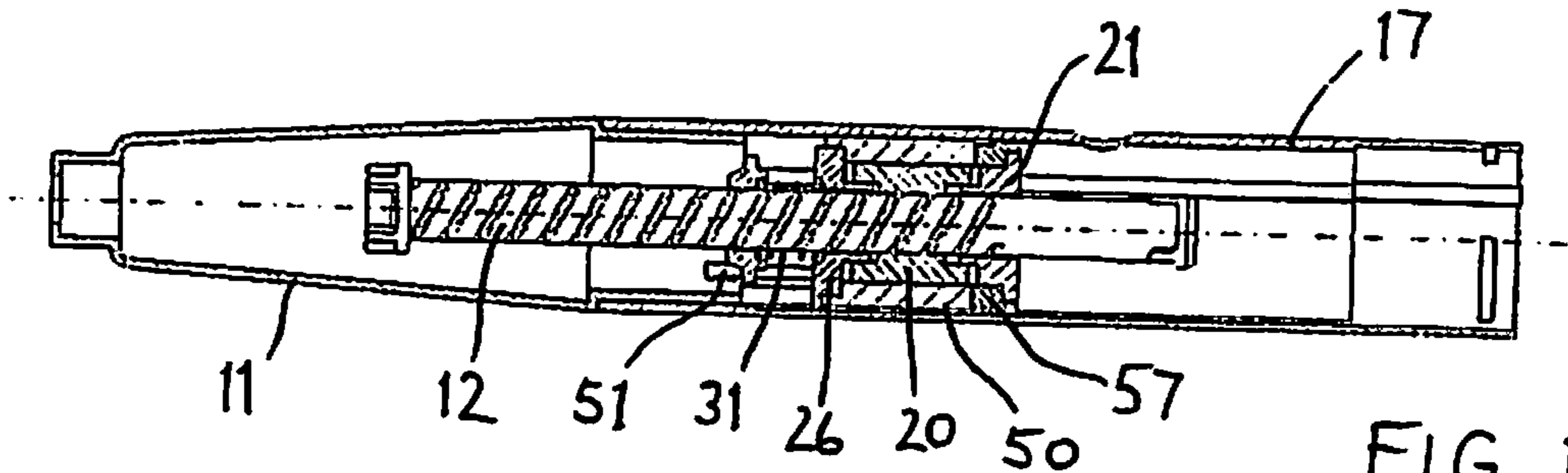


FIG 10