

(19) World Intellectual Property Organization
International Bureau



(43) International Publication Date
15 April 2010 (15.04.2010)

(10) International Publication Number
WO 2010/041966 A1

(51) International Patent Classification:
A61M 16/06 (2006.01)

(21) International Application Number:
PCT/NZ2009/000219

(22) International Filing Date:
9 October 2009 (09.10.2009)

(25) Filing Language: English

(26) Publication Language: English

(30) Priority Data:
61/104,377 10 October 2008 (10.10.2008) US

(71) Applicant (for all designated States except US): **FISHER & PAYKEL HEALTHCARE LIMITED** [NZ/NZ]; 15 Maurice Paykel Place, East Tamaki, Auckland, 2013 (NZ).

(72) Inventors; and

(75) Inventors/Applicants (for US only): **MCAULEY, Alastair, Edwin** [NZ/NZ]; 58 Ngapuhi Road, Remuera, Auckland, 1050 (NZ). **PRENTICE, Craig, Robert** [NZ/NZ]; 95 Kiwi Esplanade, Mangere, Auckland, 2022 (NZ). **MONRO, Rory, Alexander** [NZ/NZ]; 11 Aragon Avenue, Glendowie, Auckland, 1071 (NZ). **MASON, Isaac, Tristram, Tane** [NZ/NZ]; 100 Main Highway, Ellerslie, Auckland, 1051 (NZ). **GESLAIN, Nadjean, Maurice, Gabriel** [FR/NZ]; 4/14 Kings Road, Panmure, Auckland, 1072 (NZ).

(74) Agents: **ADAMS, Matthew, D.** et al.; A J Park, 6th Floor Huddart Parker Building, PO Box 949, Wellington, 6015 (NZ).

(81) Designated States (unless otherwise indicated, for every kind of national protection available): AE, AG, AL, AM, AO, AT, AU, AZ, BA, BB, BG, BH, BR, BW, BY, BZ, CA, CH, CL, CN, CO, CR, CU, CZ, DE, DK, DM, DO, DZ, EC, EE, EG, ES, FI, GB, GD, GE, GH, GM, GT, HN, HR, HU, ID, IL, IN, IS, JP, KE, KG, KM, KN, KP, KR, KZ, LA, LC, LK, LR, LS, LT, LU, LY, MA, MD, ME, MG, MK, MN, MW, MX, MY, MZ, NA, NG, NI, NO, NZ, OM, PE, PG, PH, PL, PT, RO, RS, RU, SC, SD, SE, SG, SK, SL, SM, ST, SV, SY, TJ, TM, TN, TR, TT, TZ, UA, UG, US, UZ, VC, VN, ZA, ZM, ZW.

(84) Designated States (unless otherwise indicated, for every kind of regional protection available): ARIPO (BW, GH, GM, KE, LS, MW, MZ, NA, SD, SL, SZ, TZ, UG, ZM, ZW), Eurasian (AM, AZ, BY, KG, KZ, MD, RU, TJ, TM), European (AT, BE, BG, CH, CY, CZ, DE, DK, EE, ES, FI, FR, GB, GR, HR, HU, IE, IS, IT, LT, LU, LV, MC, MK, MT, NL, NO, PL, PT, RO, SE, SI, SK, SM, TR), OAPI (BF, BJ, CF, CG, CI, CM, GA, GN, GQ, GW, ML, MR, NE, SN, TD, TG).

Published:

- with international search report (Art. 21(3))
- before the expiration of the time limit for amending the claims and to be republished in the event of receipt of amendments (Rule 48.2(h))

(54) Title: NASAL PILLOWS FOR A PATIENT INTERFACE

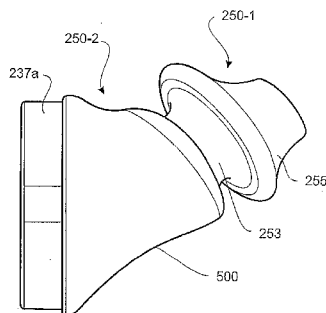


FIG. 5b

(57) Abstract: A nasal pillow section for use as part of an apparatus for providing a stream of gases to a user, the pillow section in use located in front of the upper lip and below the nostrils of a user, the pillow section comprising a pillow gasket having a gases aperture which receives a stream of gases in use, and nasal pillows fluidically connected to the pillow gasket which are adapted to substantially seal against the nostrils of a user in use, so that substantially the whole of the stream of gases entering the gasket through the aperture passes into the nasal pillows from the pillow gasket and is delivered to the user, the lower inner surface of the pillow gasket shaped so that in use contact between the upper lip of a user and the pillow gasket is minimised.

WO 2010/041966 A1

“NASAL PILLOWS FOR A PATIENT INTERFACE”**BACKGROUND TO THE INVENTION****FIELD OF THE INVENTION**

The present invention relates to nasal pillows for use with a patient interface that provides a supply of pressurised gas to a recipient via the nasal passages. The invention also relates to a patient interface which includes nasal pillows, and which may also include associated elements such as headgear. The invention also relates to a system for providing a heated, humidified stream of gases to a user via a patient interface which is included as part of the system and which includes nasal pillows.

10 SUMMARY OF THE PRIOR ART

The prior art includes a wide variety of interfaces for supplying gases to a recipient. The following are examples.

The prior art includes a nasal mask that can be used for supplying gases to a recipient. The nasal mask includes a perimeter seal that seals across, down each cheek alongside the nose and along the surface of the upper lip. The entire enclosed space is pressurised and the recipient may inhale the pressurised gas from the enclosed space. An example is the Flexifit 405 nasal mask sold by Fisher & Paykel Healthcare.

The prior art also includes a full face mask. The full face mask includes a perimeter seal that extends across the bridge of the nose downward along each cheek beside the nose to the jaw and along the jaw below the lower lip. The perimeter thereby encloses both the nose and mouth. The entire space within the mask frame is pressurised. The recipient may breathe the pressurised gas from the space through either the nose or mouth. An example is the Flexifit 431 interface sold by Fisher & Paykel Healthcare.

The prior art further includes an oral interface including an oral appliance that fits within the user's mouth. An example is the Fisher & Paykel Healthcare Oracle interface.

The prior art still further includes a nasal pillows interface in which headgear retains a soft plenum in the vicinity of the user's nose. A pair of flexible protrusions engage against the nares of the recipient. Typically, the protrusions are able to axially compress and have a lateral freedom of movement relative to the supporting cushion. Examples are the ResMed Mirage Swift™ II, the ResMed Swift LT, or the Fisher and Paykel Opus™ 360. A variety of different pillow configurations which could be used with these interfaces are described and shown in WO 2008/014543.

The prior art still further includes a nasal cannula interface. The nasal cannula interface includes a plenum portion that rests against the upper lip of the user and a pair of prongs. Each prong extends into the nostril of the user. An example is the Nasal-Aire interface made by Innomed, where gases are provided to the interface and the prongs by conduits or hoses that
5 extend from the users nose across their cheeks, over their ears and around the back of their head.

Interfaces such as these are frequently used for delivering pressurised gases to a person being treated for obstructive sleep apnea (OSA) or other sleep disorders. These users typically wear the interface in a home sleeping environment. Comfort and effective sealing even under conditions of patient movement are major considerations.

10 In this specification where reference has been made to patent specifications, other external documents, or other sources of information, this is generally for the purpose of providing a context for discussing the features of the invention. Unless specifically stated otherwise, reference to such external documents is not to be construed as an admission that such documents, or such sources of information, in any jurisdiction, are prior art, or form part of the
15 common general knowledge in the art.

The term “comprising” as used in this specification means “consisting at least in part of”. When interpreting each statement in this specification that includes the term “comprising”, features other than that or those prefaced by the term may also be present. Related terms such as “comprise” and “comprises” are to be interpreted in the same manner.

20 SUMMARY OF THE INVENTION

It is an object of the present invention to provide an interface that goes some way towards overcoming the disadvantages of the prior art such as the devices described above, or which at least provides users with a useful choice.

In a first aspect the invention may broadly be said to consist in a nasal pillow section for
25 use as part of an apparatus for providing a stream of gases to a user, said pillow section in use located in front of the upper lip and below the nostrils of a user, said pillow section comprising:

a pillow gasket, having a gases aperture which receives a stream of gases in use,
nasal pillows, fluidically connected to said pillow gasket and adapted to substantially seal
against the nostrils of a user in use, so that substantially the whole of said stream of gases passes
30 into said nasal pillows from said pillow gasket and is delivered to said user,

the lower inner surface of said pillow gasket shaped so that in use contact between the upper lip of a user and said pillow gasket is minimised.

Preferably said lower inner surface in said first aspect is shaped as a concavity.

Preferably said pillow gasket in said first aspect includes an open lower front portion that acts as said gases aperture, and said concavity runs generally between the base or bases of said nasal pillows, and the lower rear part of said open lower front portion.

5 Preferably the inwards curve of the concavity for said lower inner surface in said first aspect is 3mm from the lower edge to the upper edge.

Preferably said lower inner surface in said first aspect preferably has a width of between 30 and 50mm and most preferably 40mm.

10 Preferably the height of said lower inner surface between the outer side of said pillows and the lower rear part of said open lower front portion wall in said first aspect is preferably between 20mm and 30mm and most preferably between 25mm and 27mm.

15 Preferably the height of said lower inner surface between the inner side of said pillows, and the lower rear part of said open lower front portion wall in said first aspect is preferably between 20mm and 30mm and less than the height of said lower inner surface between the outer side of said pillows and the lower rear part of said open lower front portion wall and most preferably between 23mm and 25mm.

Alternatively said lower inner surface in said first aspect is a substantially straight forward-sloping planar surface.

20 Preferably said pillow gasket in said first aspect includes an open lower front portion that acts as said gases aperture, and said substantially straight forward-sloping planar surface runs generally between the base or bases of said nasal pillows, and the lower rear part of said open lower front portion.

Alternatively said lower inner surface in said first aspect is slightly convex.

25 Preferably said pillow gasket includes an open lower front portion that acts as said gases aperture, and said slightly convex lower inner surface runs generally between the base or bases of said nasal pillows, and the lower rear part of said open lower front portion, said surface deviating 3mm or less from a straight line running between the base or bases of said nasal pillows, and the lower rear part of said open lower front portion.

30 In a second aspect the invention may broadly be said to consist in a nasal pillow section for use as part of an apparatus for providing a stream of gases to a user, said pillow section in use located in front of the upper lip and below the nostrils of a user, said pillow section comprising:

a pillow gasket, having a gases aperture which receives a stream of gases in use,
nasal pillows, fluidically connected to said pillow gasket and adapted to substantially seal against the nostrils of a user in use, so that substantially the whole of said stream of gases passes into said nasal pillows from said pillow gasket and is delivered to said user,

5 the lower inner surface of said pillow gasket shaped to include a concavity.

Preferably said nasal pillow section in said second aspect includes an open lower front portion that acts as said gases aperture, and said concavity runs generally between the base or bases of said nasal pillows, and the lower rear part of said open lower front portion.

10 Preferably the inwards curve of the concavity for said lower inner surface in said second aspect is 3mm from the lower edge to the upper edge.

Preferably said lower inner surface in said second aspect preferably has a width of between 30 and 50mm and most preferably 40mm.

15 Preferably the height of said lower inner surface between the outer side of said pillows and the lower rear part of said open lower front portion wall in said second aspect is preferably between 20mm and 30mm and most preferably between 25mm and 27mm.

20 Preferably the height of said lower inner surface between the inner side of said pillows, and the lower rear part of said open lower front portion wall in said second aspect is preferably between 20mm and 30mm and less than the height of said lower inner surface between the outer side of said pillows and the lower rear part of said open lower front portion wall and most preferably between 23mm and 25mm.

In a third aspect the invention may broadly be said to consist in a nasal pillow section for use as part of an apparatus for providing a stream of gases to a user, said pillow section in use located in front of the upper lip and below the nostrils of a user, comprising:

25 a pillow gasket, having an open lower front portion which acts as a gases aperture and which receives a stream of gases in use,

nasal pillows, fluidically connected to said pillow gasket and adapted to substantially seal against the nostrils of a user in use, so that substantially the whole of said stream of gases passes into said nasal pillows from said pillow gasket and is delivered to said user,

30 the lower inner surface of said pillow gasket formed as a substantially straight planar surface having an inner upper edge located substantially at the base of said pillows and a lower outer edge located substantially close to the lowest point of said open lower front portion.

In a fourth aspect the invention may broadly be said to consist in a nasal pillow section for use as part of an apparatus for providing a stream of gases to a user, said pillow section in use located in front of the upper lip and below the nostrils of a user, said pillow section comprising:

a pillow gasket, having a gases aperture which receives a stream of gases in use,

5 nasal pillows, fluidically connected to said pillow gasket and adapted to substantially seal against the nostrils of a user in use, so that substantially the whole of said stream of gases passes into said nasal pillows from said pillow gasket and is delivered to said user,

the lower inner surface of said pillow gasket shaped to be slightly convex.

10 Preferably said pillow gasket in said fourth aspect includes an open lower front portion that acts as said gases aperture, and said slightly convex lower inner surface runs generally between the base or bases of said nasal pillows, and the lower rear part of said open lower front portion, said surface deviating 3mm or less from a straight line running between the base or bases of said nasal pillows, and the lower rear part of said open lower front portion.

15 In a fifth aspect the invention may broadly be said to consist in an interface for use as part of an apparatus for providing a stream of gases to a user, comprising:

a manifold section, including a gases supply aperture that in use receives a stream of gases, said manifold section adapted for connection to a headgear assembly so that in use said interface is held in position on the face of a user,

20 a nasal pillow section including a pillow gasket and nasal pillows, said pillow gasket fluidically connected to said manifold section so that said stream of gases passes through said nasal pillow section in use, said nasal pillows adapted to substantially seal against the nostrils of a user in use, so that substantially the whole of said stream of gases is delivered to said user, said pillow section in use located in front of the upper lip and below the nostrils of a user,

25 the lower inner surface of said pillow gasket shaped so that in use contact between the upper lip of a user and said pillow gasket is minimised.

Preferably said lower inner surface in said fifth aspect is shaped as a concavity.

30 Preferably said pillow gasket in said fifth aspect includes an open lower front portion that acts as a gases aperture and which is fluidically connected to said manifold section, and said concavity runs generally between the base or bases of said nasal pillows, and the lower rear part of said open lower front portion.

Preferably the inwards curve of the concavity for said lower inner surface in said fifth aspect is 3mm from the lower edge to the upper edge.

Preferably said lower inner surface in said fifth aspect preferably has a width of between 30 and 50mm and most preferably 40mm.

5 Preferably the height of said lower inner surface between the outer side of said pillows and the lower rear part of said open lower front portion wall in said fifth aspect is preferably between 20mm and 30mm and most preferably between 25mm and 27mm.

10 Preferably the height of said lower inner surface between the inner side of said pillows, and the lower rear part of said open lower front portion wall in said fifth aspect is preferably between 20mm and 30mm and less than the height of said lower inner surface between the outer side of said pillows and the lower rear part of said open lower front portion wall and most preferably between 23mm and 25mm.

Alternatively said lower inner surface in said fifth aspect is a substantially straight forward-sloping planar surface.

15 Preferably said pillow gasket in said fifth aspect includes an open lower front portion that acts as a gases aperture and which is fluidically connected to said manifold section, and said substantially straight forward-sloping planar surface runs generally between the base or bases of said nasal pillows, and the lower rear part of said open lower front portion.

Alternatively said lower inner surface in said fifth aspect is slightly convex.

20 Preferably said pillow gasket in said fifth aspect includes an open lower front portion that acts as a gases aperture and which is fluidically connected to said manifold section, and said slightly convex lower inner surface runs generally between the base or bases of said nasal pillows, and the lower rear part of said open lower front portion, said convex surface deviating 3mm or less from a straight line running between the base or bases of said nasal pillows, and the lower
25 rear part of said open lower front portion.

In a sixth aspect the invention may broadly be said to consist in an interface for use as part of an apparatus for providing a stream of gases to a user, comprising:

a manifold section, including a gases supply aperture that in use receives a stream of gases, said manifold section adapted for connection to a headgear assembly so that in use said
30 interface is held in position on the face of a user,

a nasal pillow section including a pillow gasket and pillows, said pillow gasket fluidically connected to said manifold section so that said stream of gases passes through said nasal pillow

section in use, said nasal pillows adapted to substantially seal against the nostrils of a user in use, so that substantially the whole of said stream of gases is delivered to said user, said pillow section in use located in front of the upper lip and below the nostrils of a user, the lower inner surface of said pillow gasket directly in front of said upper lip in use,

5 the lower inner surface of said pillow gasket shaped to include a concavity.

Preferably said pillow gasket in said sixth aspect includes an open lower front portion that acts as a gases aperture and which is fluidically connected to said manifold section, and said concavity runs generally between the base or bases of said nasal pillows, and the lower rear part of said open lower front portion.

10 Preferably the inwards curve of the concavity for said lower inner surface in said fifth aspect is 3mm from the lower edge to the upper edge.

Preferably said lower inner surface in said sixth aspect preferably has a width of between 30 and 50mm and most preferably 40mm.

15 Preferably the height of said lower inner surface between the outer side of said pillows and the lower rear part of said open lower front portion wall in said sixth aspect is preferably between 20mm and 30mm and most preferably between 25mm and 27mm.

20 Preferably the height of said lower inner surface between the inner side of said pillows, and the lower rear part of said open lower front portion wall in said sixth aspect is preferably between 20mm and 30mm and less than the height of said lower inner surface between the outer side of said pillows and the lower rear part of said open lower front portion wall and most preferably between 23mm and 25mm.

In a seventh aspect the invention may broadly be said to consist in an interface for use as part of an apparatus for providing a stream of gases to a user, comprising:

25 a manifold section, including a gases supply aperture that in use receives a stream of gases, said manifold section adapted for connection to a headgear assembly so that in use said interface is held in position on the face of a user,

30 a nasal pillow section including a pillow gasket and pillows, said pillow gasket fluidically connected to said manifold section so that said stream of gases passes through said nasal pillow section in use, said nasal pillows adapted to substantially seal against the nostrils of a user in use, so that substantially the whole of said stream of gases is delivered to said user, said pillow section in use located in front of the upper lip and below the nostrils of a user, the lower inner surface of said pillow gasket directly in front of said upper lip in use,

the lower inner surface of said pillow gasket formed as a substantially straight planar surface having an inner upper edge located substantially at the base of said pillows and a lower outer edge located substantially close to the lowest point of said gases supply aperture.

In an eighth aspect the invention may broadly be said to consist in an interface for use as part of an apparatus for providing a stream of gases to a user, comprising:

a manifold section, including a gases supply aperture that in use receives a stream of gases, said manifold section adapted for connection to a headgear assembly so that in use said interface is held in position on the face of a user,

a nasal pillow section including a pillow gasket and pillows, said pillow gasket fluidically connected to said manifold section so that said stream of gases passes through said nasal pillow section in use, said nasal pillows adapted to substantially seal against the nostrils of a user in use, so that substantially the whole of said stream of gases is delivered to said user, said pillow section in use located in front of the upper lip and below the nostrils of a user, the lower inner surface of said pillow gasket directly in front of said upper lip in use,

the lower inner surface of said pillow gasket shaped to be slightly convex.

Preferably said pillow gasket in said eighth aspect includes an open lower front portion that acts as a gases aperture and which is fluidically connected to said manifold section, and said slightly convex lower inner surface runs generally between the base or bases of said nasal pillows, and the lower rear part of said open lower front portion, said surface deviating 3mm or less from a straight line running between the base or bases of said nasal pillows, and the lower rear part of said open lower front portion.

In a ninth aspect the invention may broadly be said to consist in a system for providing a heated, humidified stream of gases to a user, comprising:

a blower unit having a blower outlet and adapted to supply a stream of gases at a pressure above atmospheric from said blower outlet,

a humidifier unit having a humidifier inlet and a humidifier outlet, said humidifier inlet fluidically connected to said blower outlet, said humidifier unit in use receiving said stream of gases and heating and humidifying said stream of gases, before passing said gases out of said humidifier outlet,

an interface including a gases supply aperture,

a supply conduit, one end of said supply conduit fluidically connected to said humidifier outlet to receive said stream of heated humidified gases, the other end of said supply conduit

fluidically connected to said gases supply aperture to provide said stream of heated humidified gases to said interface,

a headgear assembly, said interface and said headgear assembly mutually adapted to connect together and hold said interface in position on the head of a user in use,

5 said interface as described in any one of the statements relating to the fifth to eighth aspects above.

To those skilled in the art to which the invention relates, many changes in construction and widely differing embodiments and applications of the invention will suggest themselves without departing from the scope of the invention as defined in the appended claims. The
10 disclosures and the descriptions herein are purely illustrative and are not intended to be in any sense limiting.

BRIEF DESCRIPTION OF THE DRAWINGS

One preferred form of the present invention will now be described with reference to the accompanying drawings in which:

15 **Figure 1** shows a schematic view of a system for supplying a stream of heated humidified gases to a user via an interface assembly, the system including a gases supply unit or blower, a humidifier chamber, and a supply conduit connecting the humidifier chamber and the interface assembly.

Figure 2a shows a perspective view from the front and to one side of a first preferred
20 embodiment of the interface assembly of the present invention, showing an interface core portion or core section adapted to connect to the supply conduit so the interface can receive gases from the gases supply unit in use, a nasal pillow section included as part of the interface core section, and a headgear assembly connected to the core section which is adapted to hold the interface in position on the head of a user.

25 **Figure 2b** shows the interface of Figure 2a in use, being worn by a user, viewed from the same angle as Figure 2a.

Figure 2c shows an exploded view of the interface of Figure 2a or 2c.

Figure 3a shows a second preferred embodiment of the interface assembly of the present invention, the second preferred embodiment containing similar elements to those of the
30 first preferred form of Figure 2 but configured slightly differently.

Figure 3b shows the functionality of the connection between the supply conduit and the interface core section of the second preferred embodiment of Figure 3a.

Figure 3c shows a close-up view of the interface core portion or core section of Figure 3a.

5 **Figure 4a** shows a third preferred embodiment of the interface assembly of the present invention in use being worn by a user, the interface assembly of this third preferred form having similar elements to those of the preferred embodiments of Figures 2 and 3, but configured slightly differently.

10 **Figure 4b** shows an exploded perspective view from the front and to one side of the interface assembly of Figure 4a.

Figure 5a shows a first preferred form of nasal pillow section for use as part of either of the first or second preferred embodiments of interface assembly as shown in Figures 2 or 3, the nasal pillow section having a nasal pillow gasket section and nasal pillows connected to the nasal pillow gasket section, the nasal pillow section shown being viewed from the rear looking
15 forwards.

Figure 5b shows the nasal pillow section of Figure 5a, viewed from a user's right hand side if the nasal pillow section was in use as part of an interface being worn by a user.

Figures 5c and 5d show the nasal pillow section of Figures 5a and 5b, with dimension lines added to show the critical dimensions.

20 **Figure 6a** shows a second preferred form of nasal pillow section for use as part of either of the first or second preferred embodiments of interface assembly as shown in Figures 2 or 3, the nasal pillow section having a nasal pillow gasket section and nasal pillows connected to the nasal pillow gasket section, the nasal pillow section shown being viewed from the rear looking forwards.

25 **Figure 6b** shows the nasal pillow section of Figure 6a, viewed from a user's right hand side if the nasal pillow section were in use.

Figure 7a shows a third preferred form of nasal pillow section for use as part of either of the first or second preferred embodiments of interface assembly as shown in Figures 2 or 3, the nasal pillow section having a nasal pillow gasket section and nasal pillows connected to the nasal pillow gasket section, the nasal pillow section shown being viewed from the rear looking
30 forwards.

Figure 7b shows the nasal pillow section of Figure 7a, viewed from a user's right hand side if the nasal pillow section were in use on the face of the user.

Figure 8a shows a side view of a fourth preferred form of nasal pillow section for use as part of the third preferred embodiment of interface assembly as shown in Figure 4.

5 Figure 8b shows a perspective view from the front and to one side of the fourth preferred form of nasal pillow section of Figure 8a, partially cut-away or transparent so that the outline of the wall and internal structure of the nasal pillow section can be seen.

DETAILED DESCRIPTION OF THE PREFERRED EMBODIMENTS

The present invention provides an interface for use as part of an apparatus for providing
10 a stream of gases to a patient. The preferred and alternative embodiments are for use as part of an apparatus for providing a stream of heated, humidified gases at a pressure above atmospheric pressure to a user for the purposes of CPAP therapy or similar. However, it should be noted that the interface is not limited for use as part of an apparatus for providing CPAP therapy – the interface could also be used for Bi-PAP or variable pressure therapy, as part of an apparatus used
15 for an anti-snoring treatment regime, for the treatment of COPD, or as part of any therapy regime where a stream of gases at a pressure greater than atmospheric is delivered to the breathing passages of a patient or user via an interface assembly.

The preferred embodiment will now be described in detail with reference to the Figures. However, it should be noted that many variations are possible which have not been specifically
20 described, without departing from the intended scope of the present invention.

Gases supply system

Figure 1 shows a schematic view of a typical system 1 for providing a stream of heated humidified gases at a pressure above atmospheric to a user 2. The system 1 includes a gases supply unit or blower unit 3 which in use receives gases from atmosphere and passes these
25 through a fan unit 17 or similar inside the blower unit so that when the gases leave the blower unit 3, they are at a pressure above atmospheric, and are flowing at a certain flow rate. A humidifier unit 4 is located downstream from the blower unit 3, and in use receives the flow of pressurised gases from the blower unit 3. The humidifier unit 4 includes a water chamber 5 which in use contains a volume of water 7. The volume of water 7 in the chamber 5 is in use
30 heated – in the embodiment shown in Figure 1, the water 7 is heated by a heater plate 6 located underneath the chamber 5. The gases from the blower unit 3 pass into the chamber 5 via an entry port 8, the gases passing through the chamber 5 and across the surface of the water 7, becoming heated and humidified as they do so. The gases then pass out of the humidifier

chamber 5 via a humidifier outlet port 9. It should be noted that there are many different ways in which the gases could be heated and humidified aside from the specific way described above, and any of these different ways are suitable for use as part of the system that uses the pillows of the present invention.

5 It should also be noted that a modular system has been described above – that is, a system where the humidifier unit 4 is a separate unit to the blower unit 3. An integrated system could also be used – that is, a system where the blower unit and the humidifier unit are two integral parts of a single unit, or where the blower unit and the humidifier unit are rigidly attached or connected together in use.

10 In use, one end of a main supply conduit 19 is connected to the humidifier outlet 9. The heated and humidified gases stream exits the humidifier unit 4 via the humidifier outlet 9 and enters the main supply conduit 19, passing along the supply conduit 19 to an interface assembly 10 which is connected to the user end of the supply conduit 19. The supply conduit 19 can either be directly connected to the interface assembly 10, as shown in Figure 1, or an intervening
15 interface conduit 190 can be used to connect between the main supply conduit 19 and the interface assembly 10, as shown in the embodiments of Figures 2, 3 and 4. Where the supply conduit 19 is referred to below, this should be taken to mean either the supply conduit 19 by itself, or alternatively as referring to the supply conduit in combination with the interface conduit 190.

20 **Supply conduit and Interface conduit**

In the preferred embodiment, the supply conduit 19 is a flexible tube formed from a plastic type material, many different variations of which are known in the art. One end of the supply conduit 19 is connected to the humidifier outlet port 9, with the other end connected either directly to the interface assembly 10, or connected to the distal end 190a of the interface
25 conduit 190, the interface conduit 190 connected to the interface core section 11. The most preferred form of interface conduit 190 is approximately 30cm or 1 foot in length, with an external diameter of between 1-2 cm and a thin ribbed wall, the ribs being approximately 2-3mm thick and the wall between the ribs being significantly less than 1mm thick. However, it should be noted that variations from these dimensions are possible without departing from the scope of
30 the invention, and for example a non-ribbed conduit could be used if required. It should further be noted that ‘flexible tube’ as it is used in this specification should be taken to mean that the tube or conduit is flexible enough so that it is capable of being bent or deformed repeatedly (for example, by bringing the two ends of the conduit together, or by tying a loose knot in the conduit if it is long enough – e.g. approximately 30cm or more in length), with the tube or conduit

returning to its original undeformed shape with little to no plastic deformation occurring, every single time the tube or conduit is bent or deformed in this manner.

In the most preferred form, neither of the supply conduit 19 or the interface conduit 190 will rigidly support their own weight when held at one end so that the main body of the conduit extends outwards generally horizontally from the held end. Over a 20-30cm length of supply conduit (which has a diameter of 1-2cm and a wall thickness at the ribs of 1-3mm and a wall thickness between the ribs of less than 1mm), the unsupported end of the interface conduit will bend to face substantially directly downwards. For example, the interface conduit of the Swift LT™ is formed in such a manner that over a 20-30cm length, the unsupported end will bend downwards so that it points substantially vertically downwards. The interface conduit used in the Opus is somewhat stiffer, but will still bend through an angle of very approximately 45 degrees. Both of these conduits are flexible for the purposes of this specification, and should not be thought of as 'rigid' or 'semi-rigid' (see Lexicon section for more details). The main supply conduit 19 is of similar flexibility to both of these items, but is generally slightly less flexible.

The conduits 19, 190 connect to each other, or to the interface assembly 10, or both, by a friction push fit, a bayonet connection or similar, or by any other suitable connection as might be known in the art.

Interface assembly

Specific preferred forms of an interface assembly are shown in Figures 2, 3, and 4 as interface assembly 200, interface assembly 300 or interface assembly 400. The interface assemblies 200, 300, 400 have a number of common elements and differences as will be described below. In the description below, the element numbering conforms to the following convention: For the embodiment of Figure 2, the elements unique to that embodiment will be numbered e.g. 201, 210, etc. The equivalent unique elements on the embodiments shown in Figures 3 and 4 will be numbered e.g. 301, 310 and 401, 410 respectively. If the element is being referred to in a general sense, it will be referred to as e.g. 1, 10 etc to show that the description is applicable to all the embodiments shown in Figures 2, 3, 4, and could also be applied as a general description to other, general, embodiments not specifically shown.

The interface assembly (e.g. assemblies 200, 300, 400) are assembled from two main parts: an interface core portion or interface core section 11, and a headgear assembly 12.

The interface core section 11 and the supply conduit 19 (either including or excluding the interface conduit 190) are mutually adapted so that one end (the patient end or proximal end) of the supply conduit 19 is fluidically or gaseously connected to the interface core section 11 in use,

the interface core section 11 adapted so that the supply of heated, humidified gases is provided to the interior of the interface core portion 11 from the supply conduit 19 via this connection. The preferred forms of this connection will be described in detail below.

Headgear assembly

5 The headgear assembly 12 is formed from two main items: a set of arms 13 that extend in use one from each side of the interface core portion 11, and a set of headgear straps 14. In the preferred embodiments, the arms 13 are formed from either a flexible or a semi-rigid plastic, backed with neoprene, foam, or similar to form a cushion portion, the cushion portion resting against the face of a user in use.

10 The arms 13 can be connected to the interface core portion 11 in a number of ways. For example, arms 213 could be integrally formed or integrally connected with the interface core portion 211, as shown in the embodiment of Figure 2 – the arms 213 are formed as part of the interface core portion 211. Alternatively, the arms, such as arms 313, could be removably or releasably connected to the interface core portion 311 as shown in the embodiment of Figure 3a.
15 In the specific embodiment of Figure 3a, the releasable connection is made in such a manner as to allow the arms 313 to be rotatably adjusted with respect to the interface core portion 311. The embodiment of Figure 3a with the adjustable arms shows an interface assembly 300 that has an interface core portion 311 and arms 313. The interface ends of the arms 313 are rotatably connected to the interface core portion 311 by way of a ‘rotating barrel’ connection as is used on
20 the ResMed Swift™ LT, which allows the arms 313 to rotate relative to the interface core portion 311, and still remain connected. The mutual connection is formed so that when the connection is made, the arm 313 will remain in the position to which a user has rotated it – the arm 313 will not freely rotate unless manipulated by an external force.

For all of the preferred forms, the headgear straps 14 extend around the rear, or over the
25 top of a user’s head (or both) in use, to support the interface assembly 10 in position in use. In the embodiment of Figure 2, the ends of the arms 213 in use co-locate with the ends of the headgear straps 214, with the ends of the arms 213 and the ends of the headgear straps 214 mutually adapted to connect together in use to hold the interface assembly 200 in position. In this form, the ends of the main strap 214 include two patches of Velcro™ on the outer surface at
30 each end – one ‘hook’ patch and one ‘loop’ patch. When each of the ends is doubled back on itself to form a loop, the Velcro™ patches engage to hold this loop together. In use, the ends 224, 225 are passed one each through slots 280 on the ends of the arms 213 and then doubled back on themselves to engage the headgear assembly 212 with the core section 211. This arrangement could be used on other embodiments if required.

In alternative embodiments, such as those shown in Figures 3 and 4, the headgear straps 314, 414 could be formed as an extension of the cushion portion, with the headgear straps 314, 414 formed from neoprene or similar. For example, in the embodiment shown in Figure 3, the headgear straps 314 are a single-piece item with the arms 313.

5 It is preferred that all the different embodiments of headgear straps 13 include a secondary upper strap 20 which passes across the top of a user's head, as well as the main strap 14 which passes behind the user's head. The secondary upper strap 20 is arranged so that it passes across the top of a users head, with each end of the secondary strap 20 connecting to the main strap 14 just behind the ears of a user. Each of these straps 14, 20 includes an adjustment
10 mechanism such as buckles 15a, 15b or similar. These could be Velcro™ adjusters or buckles as preferred. The headgear secondary upper strap 20 could also be independently formed and connected to the main strap 14. The adjustments could be at any location on the strap that is convenient – sides, front or rear. The straps 14, 20 could be of different widths or thicknesses as required for user comfort. For example, in the most preferred form, the main strap 14 is wider
15 than the secondary strap 20.

Suitable strap materials may include a woven elastic strip or a narrow strip of foam and fabric, such as Breathoprene™. Alternatively, the headgear could be formed from silicone, or coated with silicone. The headgear arms could be padded or cushioned on their inside surfaces if they are formed from silicone, in order to increase user comfort. Padding could also be added to
20 the preferred form of arms – those made from Breathoprene™ or similar.

Interface core section – general

The interface core section 11 of the preferred forms is formed so as to act as a manifold in use, receiving gases from the supply conduit 19. The connection between the interface core section 11 and the patient or user end of the supply conduit 19 can be made by way of a push-fit
25 connection or similar. In one preferred form (not specifically shown), the interface core section 11 is formed as a one-piece item, and an aperture or connector portion which is adapted to receive the patient end of the supply conduit 19 is formed directly in this one-piece item. In this form, the end of the supply conduit 19 is connected directly to the one-piece interface core section 11 – e.g. by pushing it into the aperture located on the interface core section 11, or by
30 connecting it to the connector portion. However, in other preferred forms, this aperture is located on a separate sub-item or sub-assembly that is included as part of the interface core portion 11 when the interface core section 11 is assembled, but is initially formed as a separate item.

Interface core section – first preferred form

An example of an interface core section 211 that has a manifold section and a connector that is initially formed as a separate item is shown in Figure 2. The interface core section 211 includes a manifold section 211-1 and an elbow connector 211-2. One end of the elbow connector 211-2 is formed as a ball joint 290, and this locates into a socket 291 on the front of the manifold section 211-1 in use, the socket 291 adapted to act as a gases supply aperture. This allows a degree of three-dimensional relative movement, or movement in more than one plane, between the manifold section 211-1 and the elbow connector 211-2. That is, as well as being able to rotate through 360 degrees in a plane running across the front of a user's face, the elbow connector 211-2 also has a limited degree of up/down rotation and side/side rotation relative to the manifold section 211-1.

Interface core section – second preferred form

An example of a second preferred form of interface core section 311 that includes an elbow connector is shown in Figure 3a. A manifold portion or manifold section 311-1 is shown, the manifold section 311-1 including an aperture located at the front of the manifold section 311-1. An elbow connector 311-2 is connected to the manifold section 311-1 via the aperture, with one end of the elbow connector 311-2 locating into or connected to the aperture, and the other connected to the supply conduit 190. The manifold section 311-1 and the elbow connector 311-2 are mutually adapted to provide a 360 degree swivel – the elbow connector 311-2 and the manifold section 311-1 can swivel or rotate through 360 degrees relative to one another in use, in a plane across the front of a user's face, as shown in Figure 3b. The manifold section 311-1 and the elbow connector 311-2 are assembled together to form part of the interface core section portion 311 of the embodiment of Figure 3.

Interface core section – third preferred form

Yet another example of an interface core section that includes an elbow connector is shown in Figure 4. The manifold section 411-1 includes an aperture at one side of the manifold section 411-1. This aperture receives one end of an elbow connector 411-2 in use, the elbow connector 411-2 adapted to rotate freely relative to the manifold section 411-1, the plane of rotation of the elbow connector aligned back-front of a user 2 in use, rather than side-side as in the embodiment of Figure 3b.

Interface core section – pillow section

The interface core section 11 also includes a pillow section 50, the pillow section including pillows 50-1 which are adapted to substantially seal against the nares of a user in use.

The pillow section 50 is fluidically connected to the manifold section 11-1 so that in use the heated, humidified gases stream enters the pillow section 50 from the manifold section 11 and passes through the pillows 50-1 into the nasal cavity of a user. 'Substantially seals' as it is used in this specification should be taken to mean that perfectly sealing against the nares with no leaks is the most desirable outcome. However, a small degree of leakage in use is almost certainly inevitable, and a person skilled in the art will understand that the phrase 'substantially sealing' is intended to indicate that a very small amount of leakage may sometimes, but not always, occur. As the pillows 50-1 are substantially sealed against the nares of a user, all or substantially all of the stream of gases which passes through the manifold section 11 and the nasal pillow section 50 will be delivered to a user.

As shown in the preferred embodiments of Figures 2, 3 and 4, the pillow section 50 is composed of two main sub-parts that form a continuous or integrated whole in use: pillows 50-1, which locate into the nares of the user or patient 2 in use, and a pillow manifold section or pillow gasket 50-2, which is connected to the interface core section 11 in use, so that gases passing through the core section 11 in use will then pass into the pillow gasket 50-2 and from there into the pillows 50-1.

In order to aid in sealing the nasal pillows 50-1 against the nares of a wide variety of users, each of whom will have differently shaped and sized nostrils, the pillows 50-1 are in the preferred form formed from a soft and supple material with a high degree of flexibility, such as silicone rubber or similar. Preferred forms of the nasal pillows 50 are described in detail below.

The nasal pillow section 50 can either be formed separately from the rest of the core portion 11, or integrally formed with the core portion 11. In the preferred embodiments as shown in Figures 2, 3 and 4, the nasal pillow section 50 is a separate item to the core portion 11.

The nasal pillow section 50 is formed from two main parts in the three preferred forms described herein: a base portion or nasal pillow gasket portion 50-2, and nasal pillows 50-1. The attachment or connection of the nasal pillow section 50 to the remainder of the core portion 11 is achieved by attaching the gasket portion 50-2 to the manifold portion 11-1, with the pillows 50-1 preferably (although not always) integrally formed with the gasket portion 50-2. The embodiments of Figures 2, 3 and 4 show this form of connection.

In the preferred embodiments, at least the pillows 50-1 are formed from a supple and flexible material, such as silicone rubber.

Pillow Gasket – First preferred form

The first preferred form of pillow gasket portion 250-2 shown in Figure 2 shall now be described with particular reference to Figure 2c and Figures 5, 6 and 7.

The preferred form of pillow gasket portion 250-2 includes an open lower face or open lower front portion 237 which corresponds in use to the open rear face (not shown) of the manifold section 211-1, so that in use it acts as a gases aperture. It should be noted that the open rear face and the open lower portion 237 could be apertures – these do not have to cover the entire ‘face’. In use, the perimeter of the open lower portion 237 of the pillow gasket portion 250-2 is connected to the open rear face of the manifold section 211-1. The wall 237a which surrounds the open lower portion 237 slots or locates into the open rear face of the manifold section 211-1, and substantially seals against it. It can be seen that all of the gases passing through the manifold section 211-1 will pass into the pillow gasket portion 250-2 and from there into the nasal pillows 250-1. It should be noted that the pillow gasket portion 250-2 can be attached and removed repeatedly from the manifold portion 211-1 as required by a user. Optionally, if required, a key 238 can be formed into the wall section 237, the key 238 slotting into a corresponding slot in the manifold section 211-1 to ensure the pillows are correctly oriented in use.

In the first preferred form of pillow gasket portion 250-2, the pillow gasket 250-2 is shaped so that the two side portions are slightly angled towards one another. That is, the top surface which covers the open rear face of the manifold 8 appears to have a V-shape when viewed from the front, with the pillows 250-1 one on each of the two sub-surfaces or inner faces of the ‘V’. The angle of the ‘V’ is not acute – each edge or plane of the ‘V’ of the pillow gasket portion 250-2 is raised by a few degrees only (e.g. 5-10 degrees). The pillows 250-1 are mounted one on each of the two planes, and are in this manner angled inwards towards one another slightly in the most preferred form (although there are of course many other ways in which this could be achieved without creating a ‘V’-shape).

In the preferred form, as described above, the nasal pillows 250-1 and the gasket portion 250-2 are formed as a one-piece item. However, the pillows 250-1 could be removably connected to the gasket portion 250-2, either individually or as a pair. For example, the gasket portion 250-2 could include a pair of stub bases to which the pillows are press-fitted in use, the stub base and the base of the stem 250-3 being mutually adapted to connect together by way of a press-fit, a keyed connection, or similar. This would potentially allow pillows which are of different shapes or sizes to be fitted to the pillow gasket portion 250-2. This would be advantageous if a user required pillows moulded specifically to the shape of their nares, or pillows of different sizes. This would also allow a range of standard pillows to be manufactured, the

range having different sizes or different shapes, or both. This would provide a range of off-the-shelf adjustment.

In the very most preferred forms, the pillow gasket portion 250-2 is formed so that in normal use, the pillow gasket portion 250-2 is held off or apart from the upper lip of a user 2, the intention being that there is no contact or minimal contact between the gasket portion and the lip of a user in use. When the phrase 'no contact' is used in this specification, it should be taken to mean that there is no intentional contact, and any contact that does occur is outside the intended normal operating condition of the interface. Surprisingly, and in contrast with what has previously been known in this area of the art, it has been found that minimising contact with the upper lip of a user is in certain circumstances beneficial. Some prior art devices have actively used the upper lip as a support for the pillow gasket portion, even in some cases going as far as to have a lower rear portion of the gasket which can be at least semi-inflated by the gases passing through the pillow gasket. It is intended in these designs that the inflated/inflatable lower rear portion acts as a lip cushion and aids in providing support.

Surprisingly however, it has been found that having a pillow gasket which minimises contact with the upper lip of a patient can also be beneficial for some users, and can act to increase the user's comfort levels and compliance with their therapy regime. Surprisingly, it has also been found that movement of a user's upper lip can in some cases have more of detrimental effect on the sealing of pillows against the nares of a user 2 than is known in the art at the present time, or was anticipated. Because this detrimental effect was not anticipated, it was not compensated for when designing the interfaces which are currently known in the art. It has been found that in some cases when using the prior art interfaces that movement of the user's lip causes an excessive amount of movement of the interface core portion and pillows – more than was originally anticipated for interface designs which include lip cushions. Therefore, when using the prior art designs, there is an increased likelihood that the seal between the nares of a user 2 and one or both of the pillows 50 will fail, at least momentarily. The pillows of the present invention offer a useful, new, and surprising alternative to the prior art, with contact between the pillows and the lip minimised as far as possible.

There are several different ways this minimised or no contact can be achieved. The preferred forms will now be described with particular reference to Figures 5, 6 and 7.

In the first most preferred form as shown in Figure 5, the lower inner surface 500 of the pillow gasket portion 250-2 appears inwardly-sloping or concave when viewed directly from one side – the surface is formed to include a concavity. The concavity in this preferred form runs generally between an area at or close to the lower end or base of the stem 253 of the pillows 250-

1, and the rear of the wall 237a (however, it should be noted that the concavity could run between any convenient points – it does not have to be restricted to these points). This concavity ensures that contact between the users face and the pillow section 250 occurs only at the nasal pillows 250-1 during the majority of usage, and there is no contact in use with the upper lip of a user 2, or that what contact does occur is minimised.

The critical dimensions of the very most preferred form are shown in Figures 5c and 5d. Dimension line 1000 on Figure 5c shows the width dimension across the lower inner face 500 of the pillow section 250 for the very most preferred form, this being 40mm. Dimension line 1001 on Figure 5c shows the preferred height of the face 500 between the base of the pillows 250 on the outer side, and the wall 237 for the very most preferred form, this being 26.5mm. Dimension line 1003 on Figure 5c shows the preferred height of the face 500 between the base of the pillows 250 on the inner side, and the wall 237 for the very most preferred form, this being 24.5mm. Dimension line 1002 on Figure 5d shows the inner curve of the concavity for the face, showing that the upper edge of the face 500 is 3mm further forward than the lower edge of the face 500 in the most preferred form. It should of course be noted that these dimensions are the dimensions of the most preferred form, and a range of e.g. 5mm and possibly up to 10mm or more either side of these dimensions is possible.

The lower inner surface 500 could alternatively be a substantially straight planar surface running between the lower end or base of the stem 253 and the rear of the wall 237a. That is, this forward end or edge of the plane in the embodiment of Figure 2 will be just behind the lowest part of the gases supply aperture 291. However, concave is preferred for this first most preferred form, as this provides the most room for movement of the upper lip of a user 2 without contact occurring.

It can be seen that the planar surface will be at an angle to the vertical – it will be forward-sloping, with the lower edge forward of the rear edge, the angle of slope dictated to a great extent by the locations of the gases supply aperture of the manifold section, and the lower end or base of the stems. It should be noted that the plane does not have to begin and end at these positions, but it is preferred that the edges are substantially at these positions.

As shown in Figure 5a, the first preferred form of pillows 250 also includes a bridging platform 254 which runs between the stems 253 of the pillows 250-1. The bridging platform 254 helps to localise as much of the movement of the pillows to the region closest to the user's nares. This localisation of the movement assists in helping to avoid any leaks that may develop from the patient moving their lip while wearing the interface. The bridging platform 254 is an area between the pillows that is stiffer than the remaining material around the base of the stems 253,

the stems 253 themselves, and the caps 255 of the pillows. In the most preferred form, the bridging platform 254 is created by thickening an area – that is, using a thicker material in that area or section to increase the stiffness in that area. Surprisingly, it has been found that making the lower rear surface 500 concave as described above and also combining this with the bridging platform such as platform 254 provides unexpected benefits. The concave surface can be shaped in such a manner as to minimise contact between the user's lip and the surface 500, and also so that the platform 254 is supported and movement of the pillows 250-1 is localised.

In the embodiment shown in Figure 5, the stems 253 are flared towards their top end, where the stems 253 meet and merge with the bottom of the caps 255. It should be noted that if required, the stems 253 could alternatively be straight-sided, or at least not flared towards the top end.

The second most preferred form will now be described with reference to Figure 6. The second most preferred form is very similar to the first most preferred form described above with reference to Figure 5. However, as can be seen from Figure 6b, the lower rear surface 600 or support structure 600 is very slightly outwardly sloped or slightly convex. In this context, slightly outwardly sloped or slightly outwardly bowed is defined as follows: the surface 600 never deviates more than 3mm outwards from a straight line drawn between the two ends (i.e. if a straight line 601 were drawn between point A and point B on Figure 6b, this line can be thought of as defining a plane passing across the rear of the actual pillow gasket portion 250-2. For the actual pillow gasket portion 250-2, stating that the surface 600 is slightly outwardly sloped means that there is never a deviation of more than 3mm from the plane defined by line 601 for the actual pillow gasket portion 250-2 when it is manufactured.

In a similar fashion as for the first most preferred form described above with reference to Figure 5, the second preferred form also includes a bridging platform – bridging platform 264 – which runs between the stems 263 of the pillows 250-1. The combination of the bridging platform 264 and surface 600 is similar to that described above: in combination these elements can be formed so that not only is contact between the lip of a user 2 and the interface minimised, but also the platform 264 is supported and movement of the pillows 250-1 is localised.

The third preferred form of pillow gasket will now be described with reference to Figure 7. Figures 7a and 7b show a design that is very similar to that of Figure 5. This form or embodiment is slightly different to that shown in Figures 5a and 5b as it has a bridging platform 274 that sits as far away from the lip as possible without compromising the localised movement of the pillows provided by the bridged platform design. This is achieved by including an indented profile 701 as part of the design. This has the surprising advantage that the inwardly

sloping support face or concave face 700 in combination with the indented profile 701 of the bridging platform 274 will minimise contact between the elements of the interface and the face of a user, and still provide sufficient support.

5 It should be understood that there are several other design requirements for a patient interface, and in particular the interface core section and pillows, aside from increasing user comfort and compliance by minimising contact with the users upper lip (where this minimised contact is considered to be appropriate or beneficial). For example, as well as user comfort, there is the requirement that a good seal is formed between the pillows and the nares, that the pillows and gasket form an internal gases passageway that is of a size and shape to allow the passage of
10 heated humidified gases without overly impeding the gases flow and without causing gases flow or pressure to be outside a desirable range, etc. A person skilled in the art, having access to the description relating to the preferred embodiments as outlined above and below, would be able to ascertain e.g. the exact dimension or shape which they require from within a suitable range, which would have the desired overall effect.

15 **Pillow gasket – second preferred form**

The second preferred form of pillow gasket is shown in Figure 3, and is described below with particular reference to Figure 3c. This second preferred form shares many of the features of the first preferred form, including the three preferred forms of pillow gasket portion described above. That is, the pillow gasket portion 350-2 of this second preferred form can include
20 features such as for example the surfaces 500, 600 and 700 and the indented profile 701 as described above, and these are dimensioned in a similar fashion to the preferred form 250 described above. As described above, the manifold section 311-1 includes an aperture located at the front of the manifold section 311-1, where an elbow connector 311-2 is connected to the manifold section 311-1. The forward end or edge of the forward-sloping plane in the
25 embodiment of Figure 3 will be just behind the lowest part of this gases supply aperture.

The main difference between the pillow gasket portion 250-1 and the pillow gasket portion 350-2 is that the second preferred form of pillow gasket 350-1 is held in position on the manifold section 311-1 by a pair of protrusions 338 on the gasket portion 350-2 which slot into corresponding apertures on the manifold section 311-1. In the form shown in Figure 3c, the
30 protrusions 338 and the apertures are aligned centrally on the manifold section 311-1 and the gasket portion 350-2. However, this potentially allows the gasket portion 350-2 to be fitted upside-down on the manifold section 311-1, so if required these can be offset to the sides, so that the gasket portion 350-2 can only be connected in one (correct) orientation.

Pillow gasket – third preferred form

A third preferred form of pillow gasket is shown in Figure 4, and is described below with particular reference to Figure 4b and Figures 8a and 8b.

5 The manifold section 411-1 and the main body of the gasket section 450-2 of the pillow section 450 of this third preferred form when assembled for use have the overall general form of a cylinder, which in use is aligned across the top lip of a user. The manifold section 411-1 includes an aperture at one side of the manifold section 411-1, formed in the end section 411-1b, the aperture adapted to receive one end of the elbow connector 411-2 in use. The elbow connector 411-2 and the manifold section 411-1 are adapted to rotate freely relative to each other
10 in use, the plane of rotation of the elbow connector aligned back-front of a user 2 in use, rather than side-side as in the embodiment of Figure 3.

- In this third preferred form, the pillow section 450 is removably attached to manifold section 411-1. When the pillow section 450 and the manifold section 411-1 are connected, the two nasal pillows 450-1 extend outwards and upwards from the cylindrical main portion, towards
15 the nares of a user 2 in use.

The manifold section 411-1 is formed from a semi-rigid plastic, with a central cross-brace body section 411-1a, and two end sections 411-1b and 411-1c. A cap 470 closes off one end – end 411-1c – in use (the opposite end from the elbow connector 411-2).

20 The gasket section 450-2 of the pillow section 450 has the general overall form of a cylinder, the gasket section 450-2 and the manifold section 411-1 mutually sized so that the gasket section 450-2 slots between the end sections 411-1b and 411-1c. The gasket section 450-2 includes a slit 451 which runs along the length of the cylindrical body, at the bottom front of the cylindrical body, opposite the pillows 450-1. In use, the slit 451 in the gasket section 450-2 is held closed by engagement of the edges of the slit with the cross-brace body section 411-1a.

25 The ends of the headgear straps 413/414 in this third preferred form include connectors 452 which engage with the ends of the manifold section 411-1 to hold the manifold section and pillow section 450 in place on the face of a user in use.

In a similar manner to that described above for the first and second preferred forms or preferred embodiments, the lower rear part of the gasket section 450-2 can (if required) be
30 rounded inwards in a concave fashion, so that there is no contact between the upper lip of a user 2 and the rear of the gasket portion 450-2 of the pillow section 450 of the third preferred form. One way in which this concavity can be achieved is shown in Figure 8, with the lower inner surface 800 concave or curved inwards. Figure 8a shows one style of concavity, the surface 800

re-curving outwards at the lower part of the concavity, towards the bottom or lower portion of the gasket portion 450-2. Figure 8c shows a second style of concavity, with the lower part or portion of the surface 800 ending closer to the lower inner edge or side of the slit 451 than the first style shown in Figure 8a.

5 In a similar manner to the first and second preferred forms, the concavity is intended to minimise contact in use with the upper lip of a user 2. The lower inner surface 800 could alternatively be a straight planar surface running between the lower end or base of the stems 453 and the lower inner edge or side of the slit 451, or another appropriate point or plane running across the rear of the gasket portion 450-2 – for example, the outer, lower edge of the planar
10 surface could be substantially close to the lowermost point of the gases supply aperture formed in the end section 411-1b (which is also substantially close to where the lower inner edge or side of the slit 451 is located). One ‘straight surface’ example is shown in Figure 8d. However, concave is preferred (as in Figures 8a and 8c), as this provides the most room for movement of the upper lip of a user 2 without contact occurring.

15 A bridging platform (not shown) can also be used in a similar fashion to the bridging platforms 254, 264, 274 as described above in relation to the first and second gaskets. The bridging platform can include an indented profile if required, similar to that already described.

The stems 453 for this form are shown as flared towards their top end, where the stems 453 meet and merge with the bottom of the caps 455. It should be noted that if required, the
20 stems 253 could alternatively be straight-sided, or at least not flared towards the top end.

Pillows

As described above, there are three particularly preferred forms of interface assembly, which have several common elements and several elements which are unique to that particular preferred form. Many different forms of pillow design can be used with the preferred
25 embodiments described above. For example, the pillows shown in the preferred embodiments of Figures 1 to 8 all have a single-walled cap 55 and a smooth-walled stem 53, the stem flaring at the upper end, towards the cap 55.

It should be noted that different designs of pillow can be used with the preferred forms of interface assembly as described above. For example, the stems or stalks 53 could be ribbed, as
30 described in co-pending US application 61/060855, the contents of which are incorporated by reference.

Also, if required, pillows having a double-cap structure (an inner cap and an outer cap) could be used.

It should also be noted that a 'single pillow' structure could be used, with one pillow or item delivering gas to the nostrils of a user – for example, a pillow structure with a single stem that bifurcates into two caps just below the nostrils, or a single cap shaped to deliver gas to both nostrils simultaneously, the single cap being fed a gases stream through either a single or a double stem. 'Nasal pillows' in this specification should be read as covering at least these different possible designs, and not just the paired stalk and cap arrangement described above. 'Nasal pillows' in this specification should also, if appropriate, be taken to mean a nasal mask – for example, a silicone nasal mask fluidically connected to the gasket, the gasket in use being located underneath the nostrils of a user and in front of the upper lip of a user. The nasal mask ('nasal pillows') would extend from the gasket, covering around at least part of the outside surface of the nose of a user and substantially sealing against the skin of a user so that the stream of heated humidified gases is delivered to the nare of the user.

The features described above can be used individually or in any combination in the pillows and interface of the present invention.

15 Lexicon

'Supple' or 'flexible' as these words are used in this specification with reference to e.g. the nasal pillows should be taken to mean that the item can be substantially and repeatedly deformed – e.g. by a user pinching, squashing or crushing it in their hand, with the item returning to its original shape with little to no plastic deformation occurring. An item having a rectangular or square cross-section, with a thickness of 1-2mm, a width of e.g. 1cm, and a length of 5cm or more, formed from a 'supple' or 'flexible' material as it should be understood in this specification, will, if held at one end, bend to an extent easily appreciable to the naked eye – i.e. it will bend at least 2-3mm. The most preferred materials having 'supple' or 'flexible' properties as they should be understood within the context of this specification will, if formed in the manner referred to above, bend completely – that is, bending enough so that the unsupported end points substantially directly downwards. If the material does not bend to an appreciable extent, then it is a rigid or semi-rigid material for the purposes of this specification – see below. It should also be understood that 'flexible' is intended to mean a material that is soft, supple and flexible enough that an item formed with the dimensions outlined above (1-2mm x 10mm x 50mm) could be rolled into a solid tube (i.e. with no central 'hollow' portion), and when the tube is unrolled there would be little to no plastic deformation of the material.

'Rigid' or 'semi-rigid' as it is used in this specification should be understood to mean that an item described in this manner can be elastically deformed, but that it would require application of an external force apart from gravity (i.e. more than its own weight) to do so – a 'rigid' or 'semi-

rigid' item will not collapse or bend under its own weight, in any orientation. It is noted that all items usually described as rigid do have a certain degree of elasticity, but the elastic limit will normally be reached before the elastic deformation of the rigid material is appreciable to the naked eye. Glass, for example, will shatter before the average person is able to appreciate that it has elastically deformed at all. An item having rectangular or square cross-section, with a thickness of 1-2mm and a length of up to 10cm, formed from a 'rigid' or 'semi-rigid' material as it should be understood in this specification, will not bend to an extent easily appreciable to the naked eye. As an example, the arms of the Fisher & Paykel Opus™ interface or the ResMed Mirage Swift™ II interface are around 10-11cm long and have a thickness of less than 1mm. The arms of these devices are formed from a plastic having a rigidity so that they will not bend under their own weight if held at one end, and for the purposes of this specification can be considered to be 'rigid' or semi-rigid'.

'Substantially vertically downwards' as it is written in this specification should be interpreted as not necessarily meaning absolutely vertical – an angle of 10-20 degrees or more off-vertical lies within the meaning of 'substantially vertical' as it is used in this specification.

It should also be noted that 'downwards', 'outwards', 'inner', 'outer', 'rear', 'front', and similar terms as they are used in this specification refer to the mask being worn by a user who is standing up. For example, 'inner' and 'rear' refer to that side of the interface nearest a users face in use. However, in use the interface is intended to be used by a user who is asleep and will be lying on a bed, either on their back, front or side. The convention referred to above (a user standing) has been adopted for ease of reference.

It should also be noted that the term 'interface' or 'interface assembly' as it is used in this specification refers to any combination of the interface core section 11 (or 211, 311 or 411), the interface conduit 19 or supply conduit 190 (or both), and the headgear assembly 12 – that is, for the preferred embodiment, the term 'interface' could refer to the interface core section 11 with or without the headgear assembly 12, and with or without the supply conduit 19.

The terms 'swivel' and 'rotate' have their normal dictionary definitions. However, it should specifically be noted that as used in this specification, 'rotate' means that the item turns around an axis or centre point and movement is in a single plane. In contrast, 'swivel' as used in this specification should be taken to mean that the item is capable of movement in more than one plane.

Claims

What is claimed is:

1. A **nasal pillow section** for use as part of an apparatus for providing a stream of gases to a user, said pillow section in use located in front of the upper lip and below the nostrils of a user,
5 said pillow section comprising:
 - a pillow gasket, having a gases aperture which receives a stream of gases in use,
nasal pillows, fluidically connected to said pillow gasket and adapted to substantially seal against the nostrils of a user in use, so that substantially the whole of said stream of gases passes into said nasal pillows from said pillow gasket and is delivered to said user,
10 the lower inner surface of said pillow gasket shaped so that in use contact between the upper lip of a user and said pillow gasket is minimised.
2. A nasal pillow section as claimed in claim 1 wherein said lower inner surface is shaped as a concavity.
3. A nasal pillow section as claimed in claim 2 wherein said pillow gasket further comprises
15 an open lower front portion that acts as said gases aperture, and said concavity runs generally between the base or bases of said nasal pillows, and the lower rear part of said open lower front portion.
4. A nasal pillow section as claimed in claim 3 wherein the inwards curve of the concavity for said lower inner surface is substantially 3mm from the lower edge to the upper edge.
- 20 5. A nasal pillow section as claimed in claim 4 wherein said lower inner surface has a width of substantially between 30 and 50mm.
6. A nasal pillow section as claimed in claim 4 wherein said lower inner surface has a width of substantially 40mm.
7. A nasal pillow section as claimed in claim 5 or 6 wherein the height of said lower inner
25 surface between the outer side of said pillows and the lower rear part of said open lower front portion wall is substantially between 20mm and 30mm.
8. A nasal pillow section as claimed in claim 5 or 6 wherein the height of said lower inner surface between the outer side of said pillows and the lower rear part of said open lower front portion wall is substantially between 25mm and 27mm.
- 30 9. A nasal pillow section as claimed in claim 7 wherein the height of said lower inner surface between the inner side of said pillows and the lower rear part of said open lower front portion

wall is substantially between 20mm and 30mm and less than the height of said lower inner surface between the outer side of said pillows and the lower rear part of said open lower front portion wall.

10. A nasal pillow section as claimed in claim 7 wherein the height of said lower inner surface
5 between the inner side of said pillows and the lower rear part of said open lower front portion wall is substantially between 23mm and 25mm and less than the height of said lower inner surface between the outer side of said pillows and the lower rear part of said open lower front portion wall.

11. A nasal pillow section as claimed in claim 8 wherein the height of said lower inner surface
10 between the inner side of said pillows and the lower rear part of said open lower front portion wall is substantially between 20mm and 30mm and less than the height of said lower inner surface between the outer side of said pillows and the lower rear part of said open lower front portion wall.

12. A nasal pillow section as claimed in claim 8 wherein the height of said lower inner surface
15 between the inner side of said pillows and the lower rear part of said open lower front portion wall is substantially between 23mm and 25mm and less than the height of said lower inner surface between the outer side of said pillows and the lower rear part of said open lower front portion wall.

13. A nasal pillow section as claimed in claim 1 wherein said lower inner surface is a
20 substantially straight forward-sloping planar surface.

14. A nasal pillow section as claimed in claim 13 wherein said pillow gasket further comprises an open lower front portion that acts as said gases aperture, and said substantially straight forward-sloping planar surface runs generally between the base or bases of said nasal pillows, and the lower rear part of said open lower front portion.

25 15. A nasal pillow section as claimed in claim 1 wherein said lower inner surface is slightly convex.

16. A nasal pillow section as claimed in claim 15 wherein said pillow gasket further comprises an open lower front portion that acts as said gases aperture, and said slightly convex lower inner surface runs generally between the base or bases of said nasal pillows, and the lower rear part of
30 said open lower front portion, said surface deviating 3mm or less from a straight line running between the base or bases of said nasal pillows, and the lower rear part of said open lower front portion.

17. A nasal pillow section for use as part of an apparatus for providing a stream of gases to a user, said pillow section in use located in front of the upper lip and below the nostrils of a user, said pillow section comprising:

a pillow gasket, having a gases aperture which receives a stream of gases in use,

5 nasal pillows, fluidically connected to said pillow gasket and adapted to substantially seal against the nostrils of a user in use, so that substantially the whole of said stream of gases passes into said nasal pillows from said pillow gasket and is delivered to said user,

the lower inner surface of said pillow gasket shaped so that at least part of said lower inner surface is concave.

10 18. A nasal pillow section as claimed in claim 17 wherein said pillow gasket further comprises an open lower front portion that acts as said gases aperture, and the concave portion of said lower inner surface runs generally between the base or bases of said nasal pillows, and the lower rear part of said open lower front portion.

15 19. A nasal pillow section as claimed in claim 18 wherein the inwards curve of said concave portion for said lower inner surface is substantially 3mm from the lower edge to the upper edge.

20. A nasal pillow section as claimed in claim 19 wherein said lower inner surface has a width of substantially between 30 and 50mm.

21. A nasal pillow section as claimed in claim 19 wherein said lower inner surface has a width of substantially 40mm.

20 22. A nasal pillow section as claimed in claim 20 or claim 21 wherein the height of said lower inner surface between the outer side of said pillows and the lower rear part of said open lower front portion wall is substantially between 20mm and 30mm.

25 23. A nasal pillow section as claimed in claim 20 or claim 21 wherein the height of said lower inner surface between the outer side of said pillows and the lower rear part of said open lower front portion wall is substantially between 25mm and 27mm.

30 24. A nasal pillow section as claimed in claim 22 wherein the height of said lower inner surface between the inner side of said pillows, and the lower rear part of said open lower front portion wall is substantially between 20mm and 30mm and less than the height of said lower inner surface between the outer side of said pillows and the lower rear part of said open lower front portion wall.

25. A nasal pillow section as claimed in claim 22 wherein the height of said lower inner surface between the inner side of said pillows, and the lower rear part of said open lower front portion wall is substantially between 23mm and 25mm and less than the height of said lower inner surface between the outer side of said pillows and the lower rear part of said open lower front portion wall.

26. A nasal pillow section as claimed in claim 23 wherein the height of said lower inner surface between the inner side of said pillows, and the lower rear part of said open lower front portion wall is substantially between 20mm and 30mm and less than the height of said lower inner surface between the outer side of said pillows and the lower rear part of said open lower front portion wall.

27. A nasal pillow section as claimed in claim 23 wherein the height of said lower inner surface between the inner side of said pillows, and the lower rear part of said open lower front portion wall is substantially between 23mm and 25mm and less than the height of said lower inner surface between the outer side of said pillows and the lower rear part of said open lower front portion wall.

28. **A nasal pillow section** for use as part of an apparatus for providing a stream of gases to a user, said pillow section in use located in front of the upper lip and below the nostrils of a user, comprising:

a pillow gasket, having an open lower front portion which acts as a gases aperture and which receives a stream of gases in use,

nasal pillows, fluidically connected to said pillow gasket and adapted to substantially seal against the nostrils of a user in use, so that substantially the whole of said stream of gases passes into said nasal pillows from said pillow gasket and is delivered to said user,

the lower inner surface of said pillow gasket formed as a substantially straight planar surface having an inner upper edge located substantially at the base of said pillows and a lower outer edge located substantially close to the lowest point of said open lower front portion.

29. **A nasal pillow section** for use as part of an apparatus for providing a stream of gases to a user, said pillow section in use located in front of the upper lip and below the nostrils of a user, said pillow section comprising:

a pillow gasket, having a gases aperture which receives a stream of gases in use,

nasal pillows, fluidically connected to said pillow gasket and adapted to substantially seal against the nostrils of a user in use, so that substantially the whole of said stream of gases passes into said nasal pillows from said pillow gasket and is delivered to said user,

5 the lower inner surface of said pillow gasket shaped so that at least part of said lower inner surface is concave.

30. A nasal pillow section as claimed in claim 29 wherein said pillow gasket further comprises an open lower front portion that acts as said gases aperture, and said slightly convex lower inner surface runs generally between the base or bases of said nasal pillows, and the lower rear part of said open lower front portion, said surface deviating 3mm or less from a straight line running
10 between the base or bases of said nasal pillows, and the lower rear part of said open lower front portion.

31. An interface for use as part of an apparatus for providing a stream of gases to a user, comprising:

15 a manifold section, having a gases supply aperture that in use receives a stream of gases, said manifold section adapted for connection to a headgear assembly so that in use said interface is held in position on the face of a user,

a nasal pillow section having a pillow gasket and nasal pillows, said pillow gasket fluidically connected to said manifold section so that said stream of gases passes through said nasal pillow section in use, said nasal pillows adapted to substantially seal against the nostrils of a
20 user in use, so that substantially the whole of said stream of gases is delivered to said user, said pillow section in use located in front of the upper lip and below the nostrils of a user,

the lower inner surface of said pillow gasket shaped so that in use contact between the upper lip of a user and said pillow gasket is minimised.

25 32. An interface as claimed in claim 31 wherein said lower inner surface is shaped so that at least part of said lower inner surface is concave.

33. An interface as claimed in claim 32 wherein said pillow gasket further comprises an open lower front portion that acts as a gases aperture and which is fluidically connected to said manifold section, and said concavity runs generally between the base or bases of said nasal pillows, and the lower rear part of said open lower front portion.

30 34. An interface as claimed in claim 33 wherein the inwards curve of the concavity for said lower inner surface is substantially 3mm from the lower edge to the upper edge.

35. An interface as claimed in claim 34 wherein said lower inner surface has a width of substantially 40mm.

36. An interface as claimed in claim 35 wherein the height of said lower inner surface between the outer side of said pillows and the lower rear part of said open lower front portion wall is substantially between 25mm and 27mm.

37. An interface as claimed in claim 36 wherein the height of said lower inner surface between the inner side of said pillows, and the lower rear part of said open lower front portion wall is substantially between 23mm and 25mm and less than the height of said lower inner surface between the outer side of said pillows and the lower rear part of said open lower front portion wall.

38. An interface as claimed in claim 31 wherein said lower inner surface is a substantially straight forward-sloping planar surface.

39. An interface as claimed in claim 38 wherein said pillow gasket further comprises an open lower front portion that acts as a gases aperture and which is fluidically connected to said manifold section, and said substantially straight forward-sloping planar surface runs generally between the base or bases of said nasal pillows, and the lower rear part of said open lower front portion.

40. An interface as claimed in claim 31 wherein said lower inner surface is slightly convex.

41. An interface as claimed in claim 40 wherein said pillow gasket further comprises an open lower front portion that acts as a gases aperture and which is fluidically connected to said manifold section, and said slightly convex lower inner surface runs generally between the base or bases of said nasal pillows, and the lower rear part of said open lower front portion, said convex surface deviating 3mm or less from a straight line running between the base or bases of said nasal pillows, and the lower rear part of said open lower front portion.

42. **An interface** for use as part of an apparatus for providing a stream of gases to a user, comprising:

a manifold section, having a gases supply aperture that in use receives a stream of gases, said manifold section adapted for connection to a headgear assembly so that in use said interface is held in position on the face of a user,

a nasal pillow section having a pillow gasket and pillows, said pillow gasket fluidically connected to said manifold section so that said stream of gases passes through said nasal pillow section in use, said nasal pillows adapted to substantially seal against the nostrils of a user in use,

so that substantially the whole of said stream of gases is delivered to said user, said pillow section in use located in front of the upper lip and below the nostrils of a user, the lower inner surface of said pillow gasket directly in front of said upper lip in use,

5 the lower inner surface of said pillow gasket shaped so that at least part of said lower inner surface is concave.

43. An interface as claimed in claim 42 wherein said pillow gasket further comprises an open lower front portion that acts as a gases aperture and which is fluidically connected to said manifold section, and said concavity runs generally between the base or bases of said nasal pillows, and the lower rear part of said open lower front portion.

10 44. An interface as claimed in claim 43 wherein the inwards curve of the concavity for said lower inner surface is 3mm from the lower edge to the upper edge.

45. An interface as claimed in claim 44 wherein said lower inner surface has a width of substantially 40mm.

15 46. An interface as claimed in claim 45 wherein the height of said lower inner surface between the outer side of said pillows and the lower rear part of said open lower front portion wall is substantially between 25mm and 27mm.

47. An interface as claimed in claim 46 wherein the height of said lower inner surface between the inner side of said pillows, and the lower rear part of said open lower front portion wall is preferably between 20mm and 30mm and less than the height of said lower inner surface
20 between the outer side of said pillows and the lower rear part of said open lower front portion wall and most preferably between 23mm and 25mm.

48. **An interface** for use as part of an apparatus for providing a stream of gases to a user, comprising:

25 a manifold section, having a gases supply aperture that in use receives a stream of gases, said manifold section adapted for connection to a headgear assembly so that in use said interface is held in position on the face of a user,

a nasal pillow section having a pillow gasket and pillows, said pillow gasket fluidically connected to said manifold section so that said stream of gases passes through said nasal pillow section in use, said nasal pillows adapted to substantially seal against the nostrils of a user in use,
30 so that substantially the whole of said stream of gases is delivered to said user, said pillow section in use located in front of the upper lip and below the nostrils of a user, the lower inner surface of said pillow gasket directly in front of said upper lip in use,

the lower inner surface of said pillow gasket formed as a substantially straight planar surface having an inner upper edge located substantially at the base of said pillows and a lower outer edge located substantially close to the lowest point of said gases supply aperture.

49. **An interface** for use as part of an apparatus for providing a stream of gases to a user,
5 comprising:

a manifold section, having a gases supply aperture that in use receives a stream of gases, said manifold section adapted for connection to a headgear assembly so that in use said interface is held in position on the face of a user,

10 a nasal pillow section having a pillow gasket and pillows, said pillow gasket fluidically connected to said manifold section so that said stream of gases passes through said nasal pillow section in use, said nasal pillows adapted to substantially seal against the nostrils of a user in use, so that substantially the whole of said stream of gases is delivered to said user, said pillow section in use located in front of the upper lip and below the nostrils of a user, the lower inner surface of said pillow gasket directly in front of said upper lip in use,

15 the lower inner surface of said pillow gasket shaped to be slightly convex.

50. **An interface** as claimed in claim 49 wherein said pillow gasket further comprises an open lower front portion that acts as a gases aperture and which is fluidically connected to said manifold section, and said slightly convex lower inner surface runs generally between the base or bases of said nasal pillows, and the lower rear part of said open lower front portion, said surface
20 deviating 3mm or less from a straight line running between the base or bases of said nasal pillows, and the lower rear part of said open lower front portion.

51. **A system** for providing a heated, humidified stream of gases to a user, comprising:

a blower unit having a blower outlet and adapted to supply a stream of gases at a pressure above atmospheric from said blower outlet,

25 a humidifier unit having a humidifier inlet and a humidifier outlet, said humidifier inlet fluidically connected to said blower outlet, said humidifier unit in use receiving said stream of gases and heating and humidifying said stream of gases, before passing said gases out of said humidifier outlet,

an interface having a gases supply aperture,

30 a supply conduit, one end of said supply conduit fluidically connected to said humidifier outlet to receive said stream of heated humidified gases, the other end of said supply conduit

fluidically connected to said gases supply aperture to provide said stream of heated humidified gases to said interface,

a headgear assembly, said interface and said headgear assembly mutually adapted to connect together and hold said interface in position on the head of a user in use,

5 said interface as claimed in any one of claims 31 to 50.

52. **A nasal pillow section** substantially as herein described with reference to the Figures.

53. **An interface** substantially as herein described with reference to the Figures.

54. **A system** for providing a heated, humidified stream of gases to a user substantially as herein described with reference to the Figures.

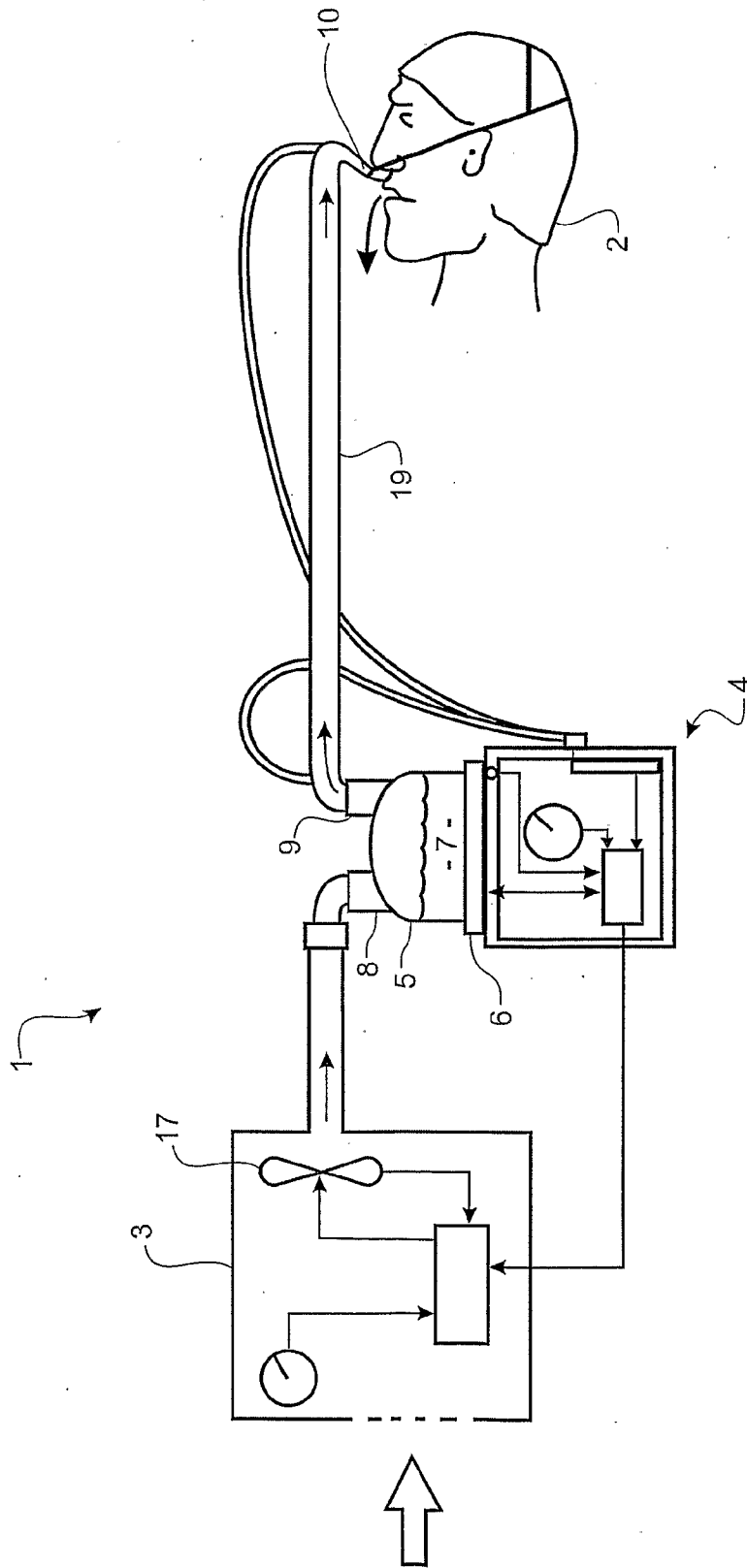


FIGURE 1

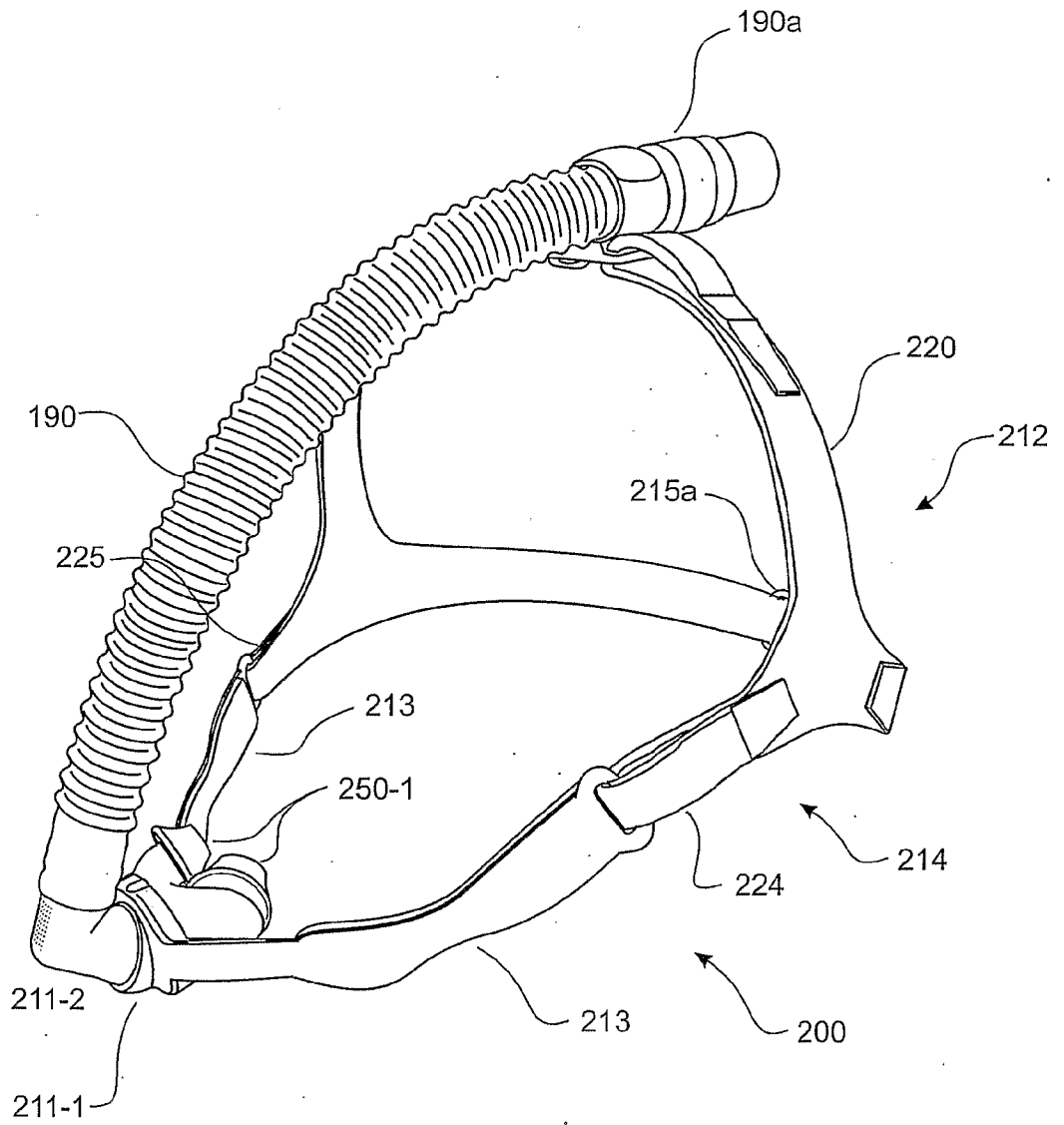


FIGURE 2a

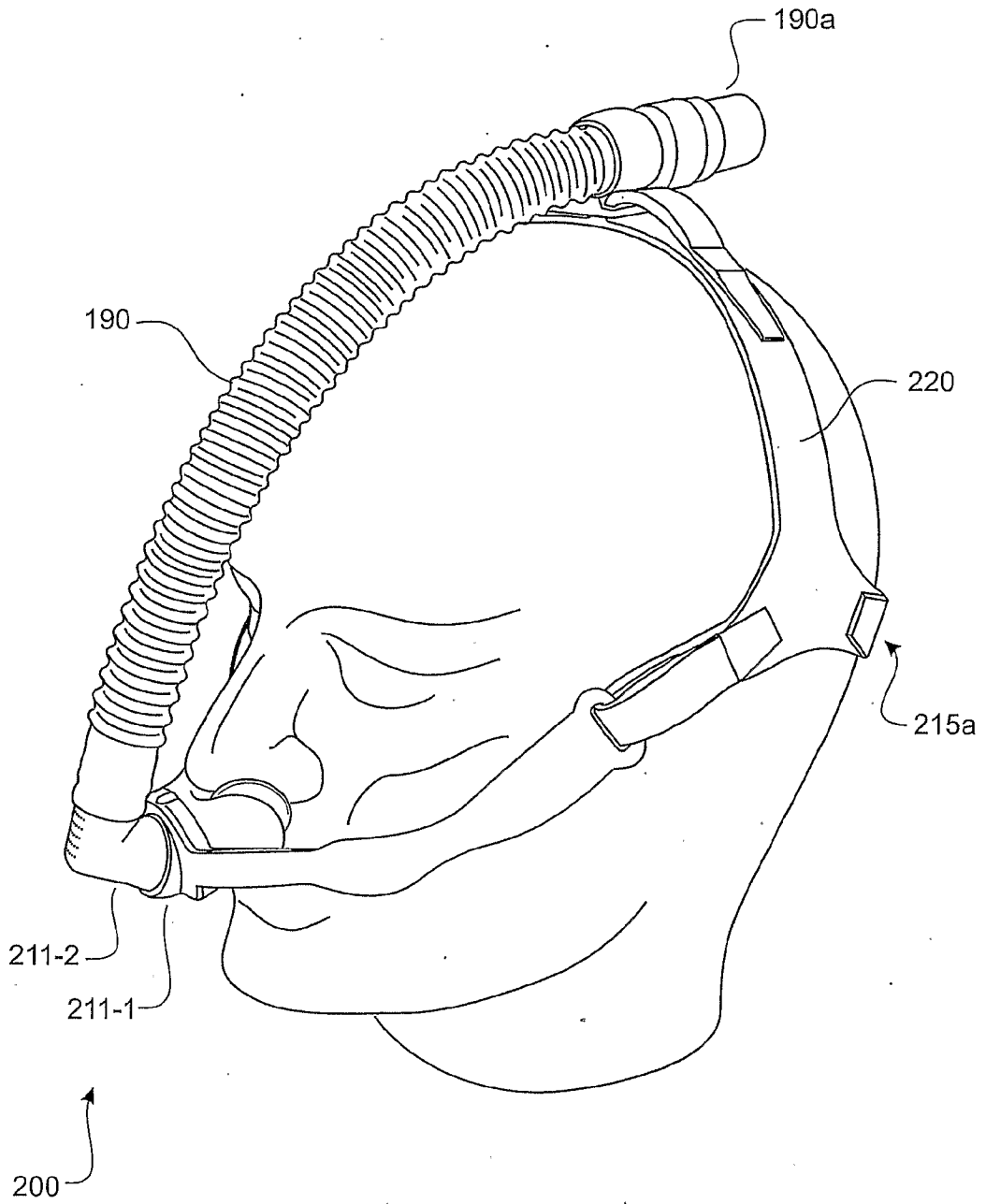


FIGURE 2b

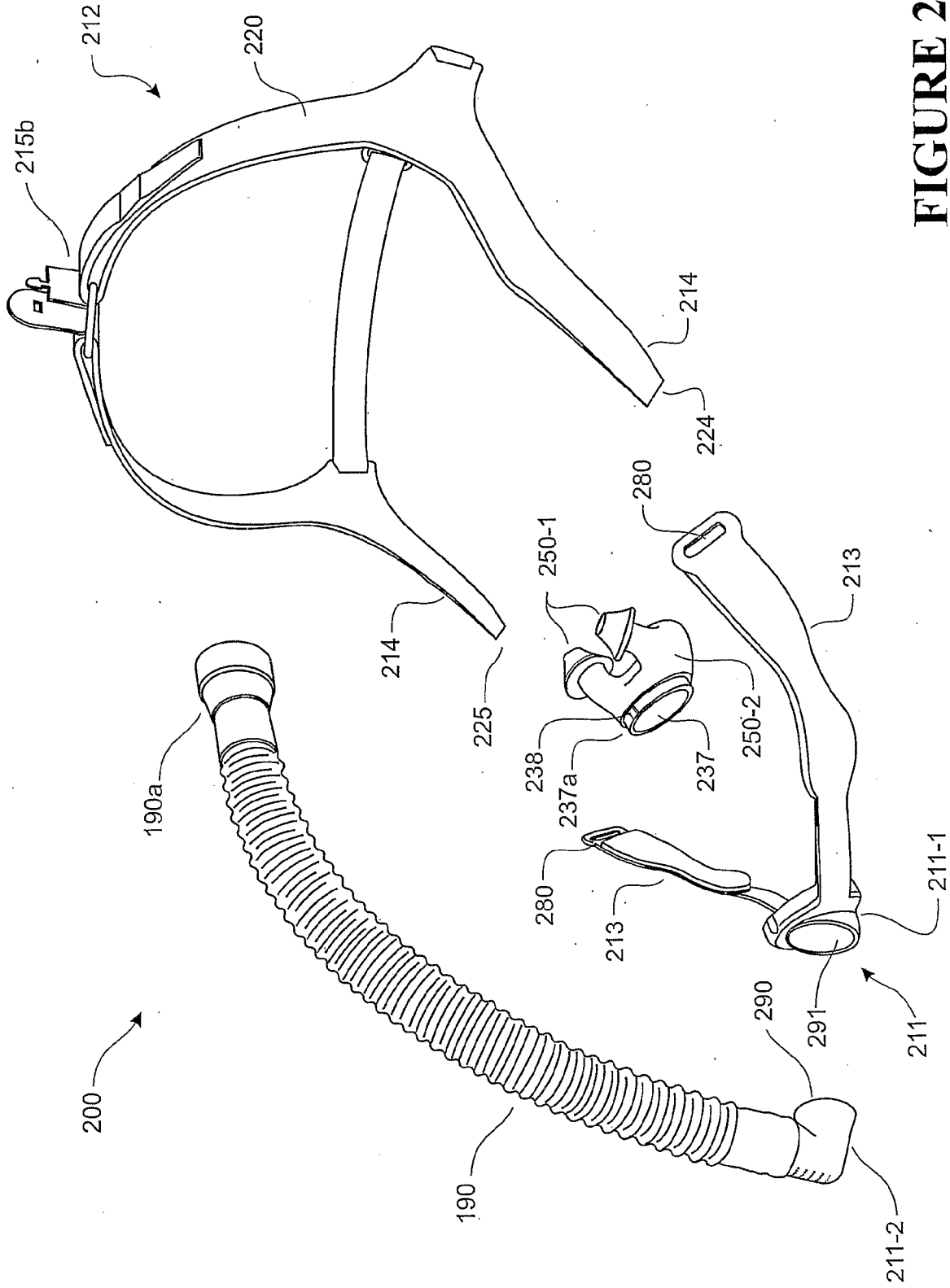


FIGURE 2c

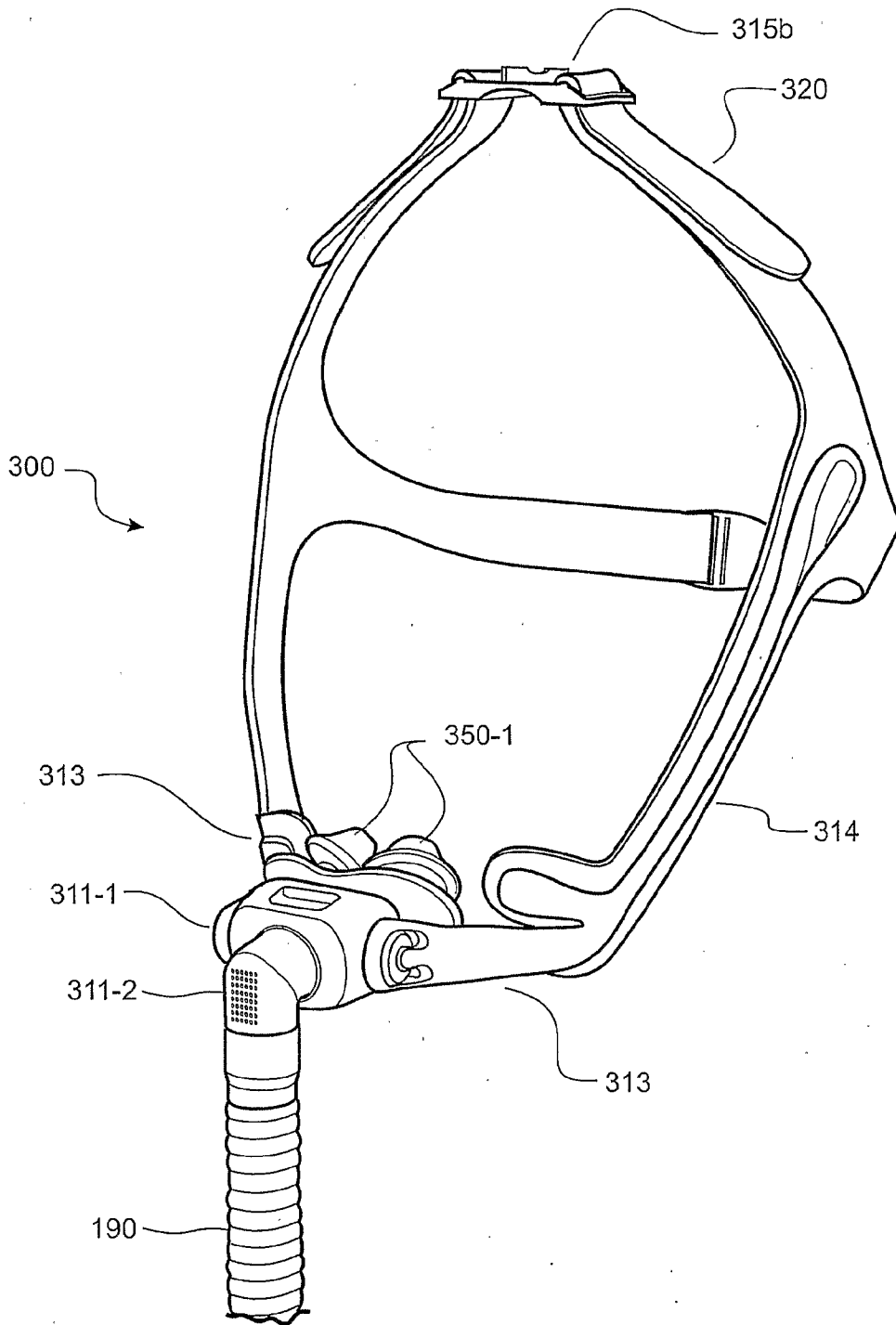


FIGURE 3a

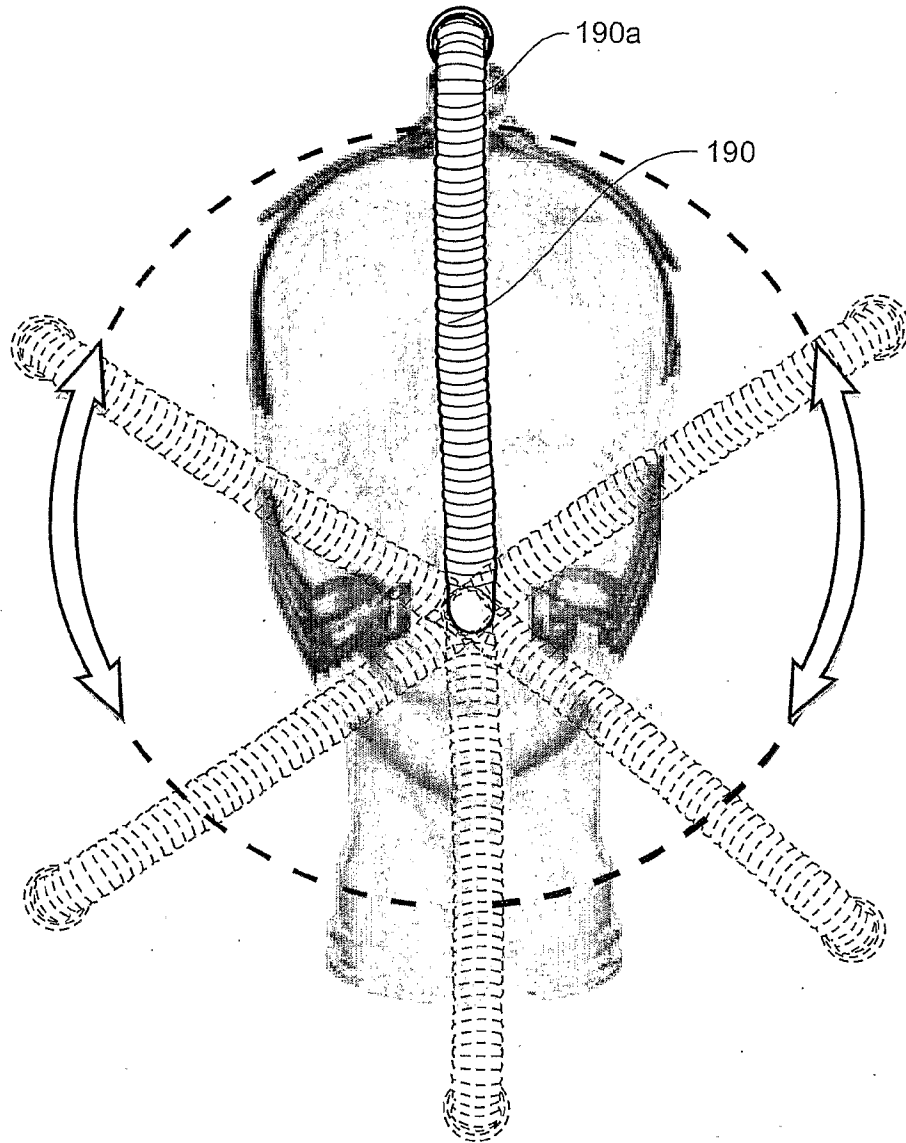


FIGURE 3b

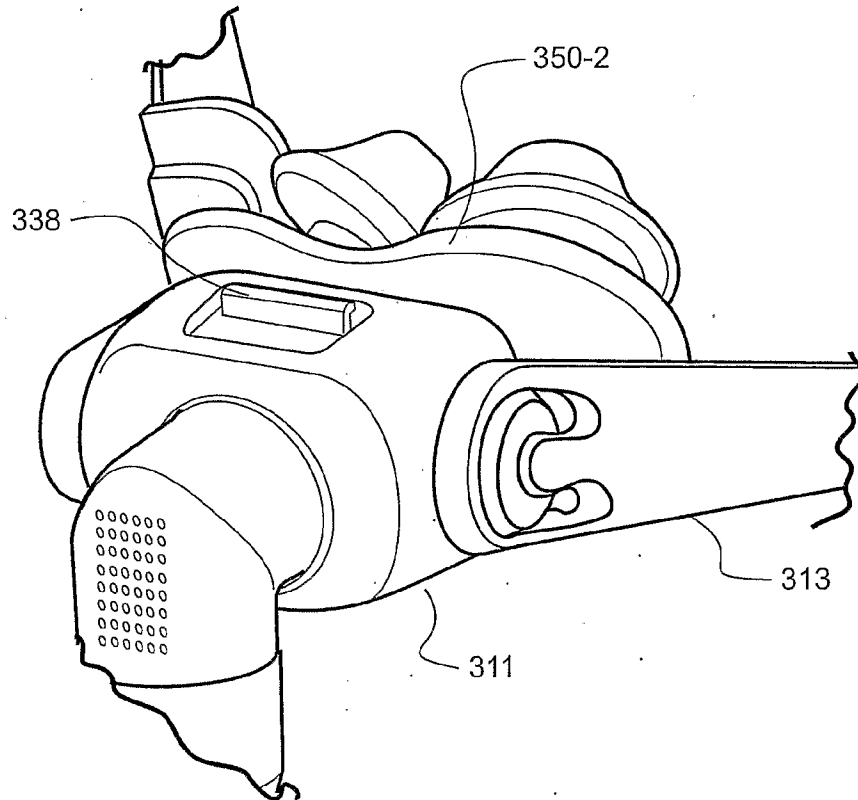


FIGURE 3c

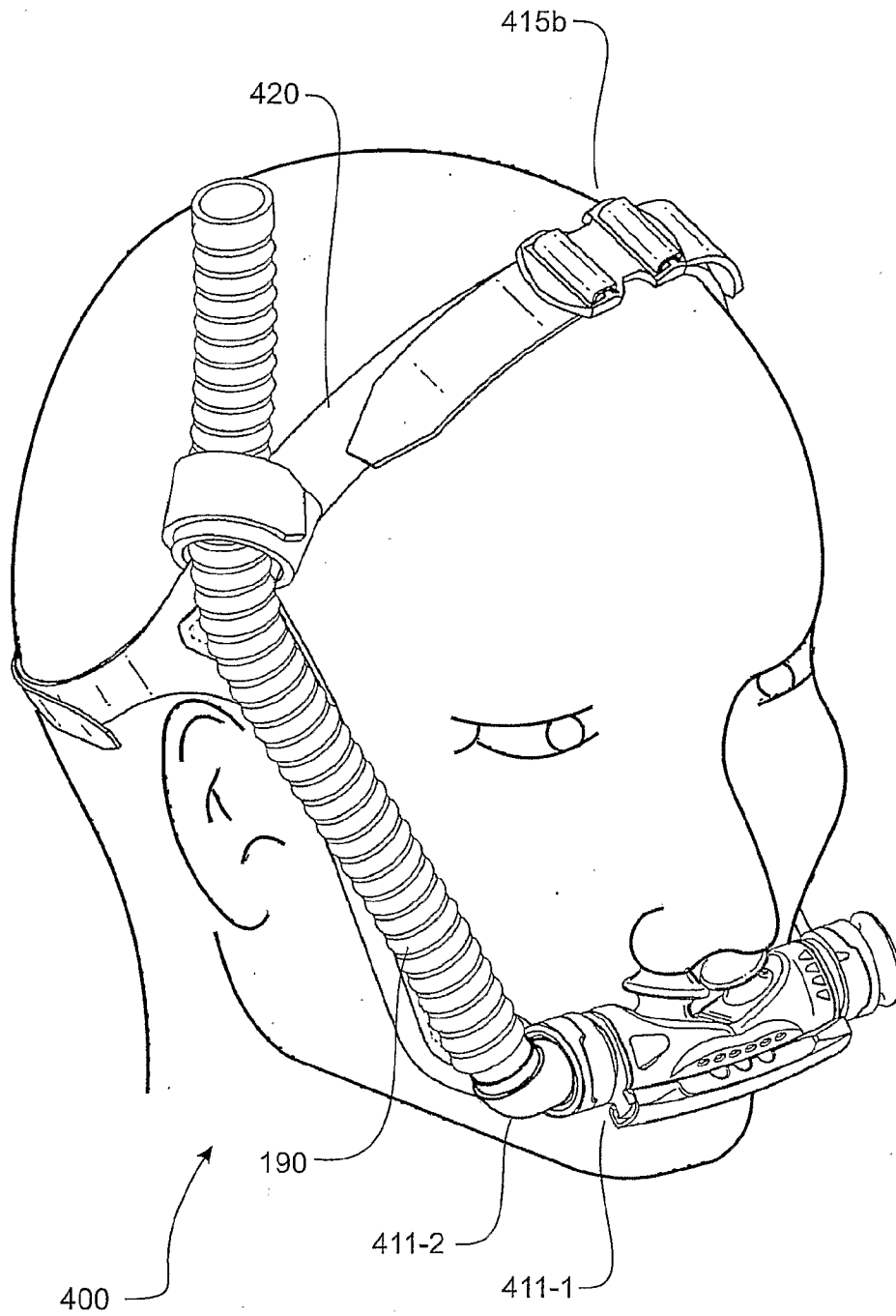


FIGURE 4a

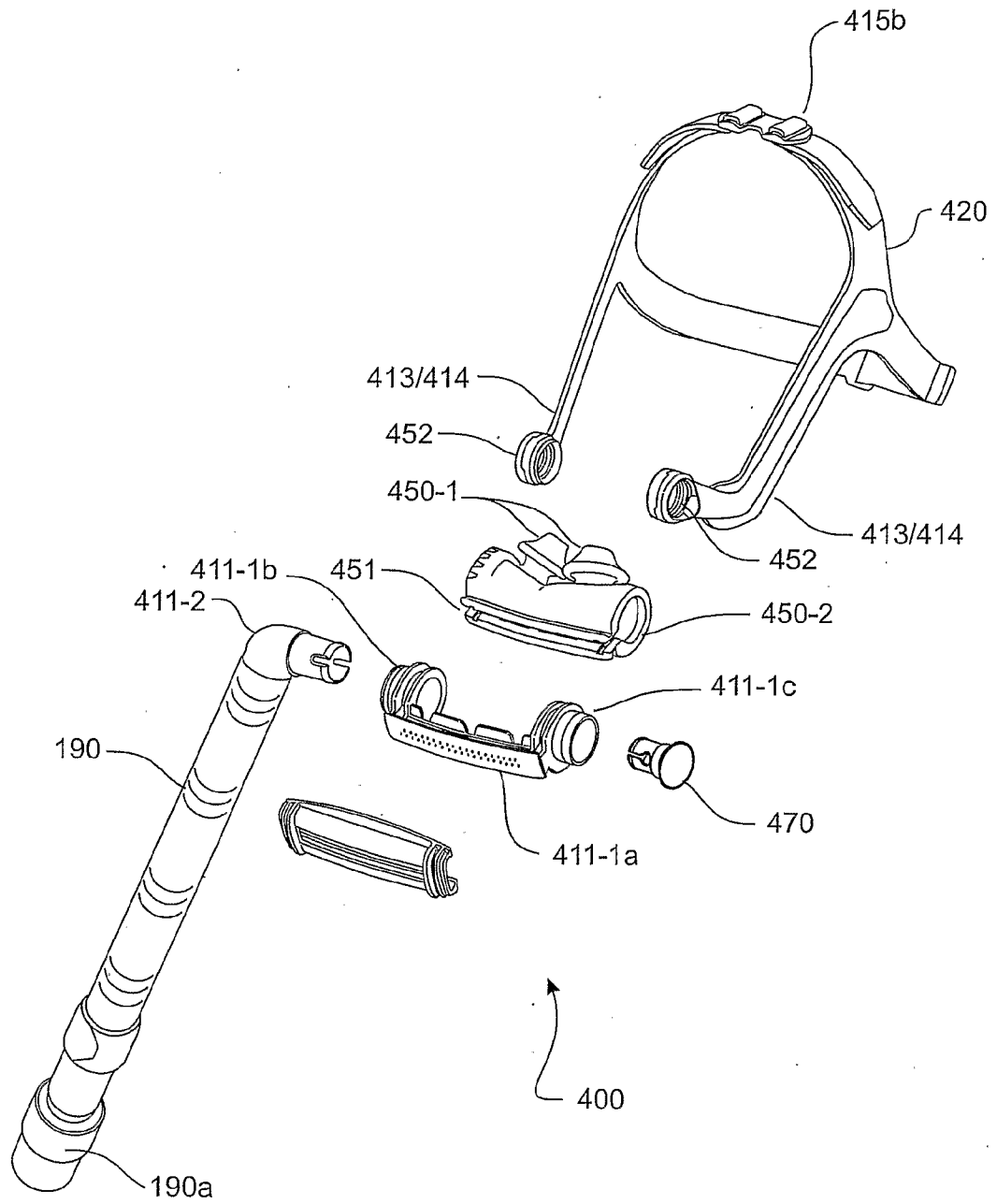


FIGURE 4b

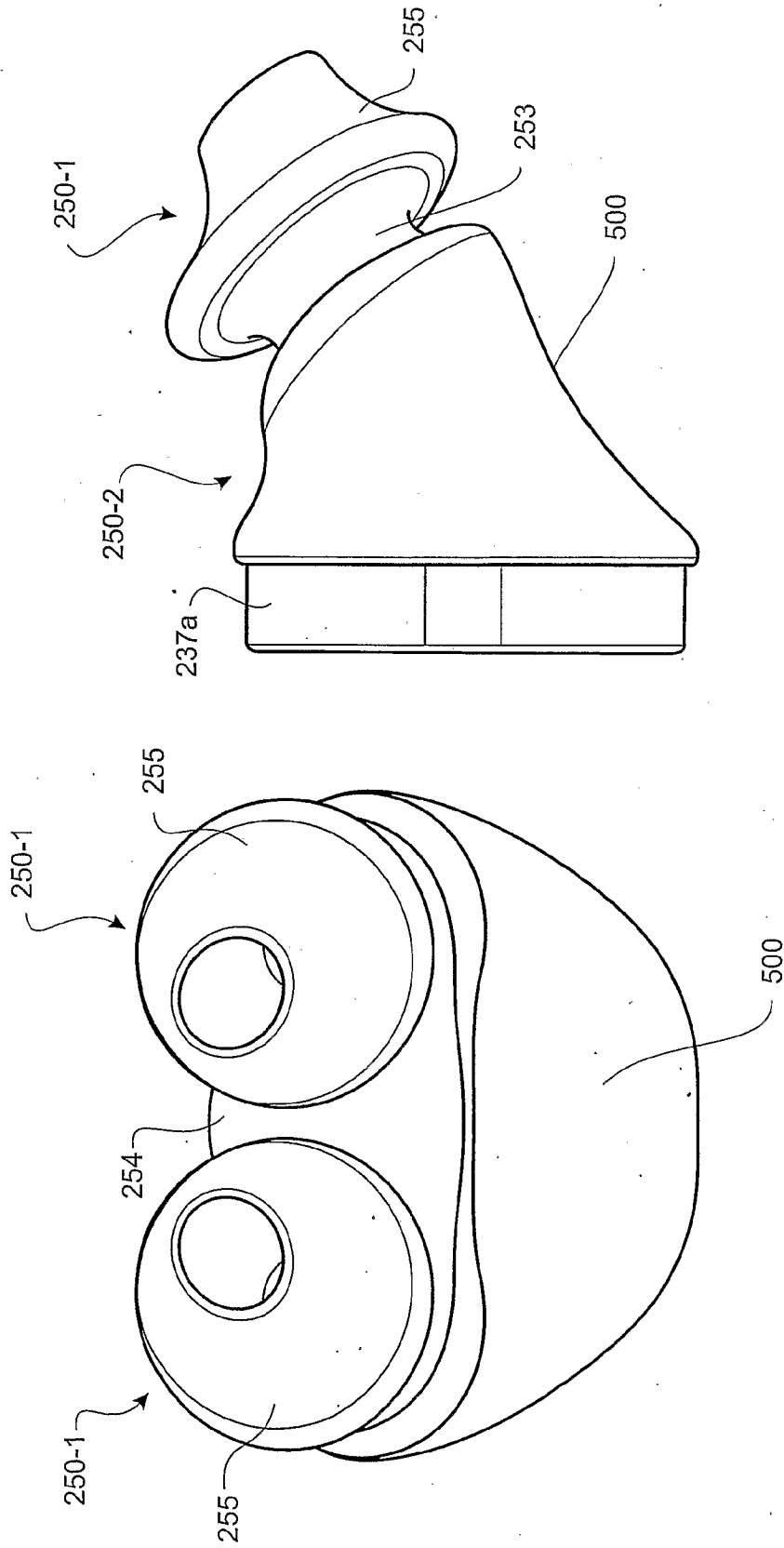


FIG. 5a

FIG. 5b

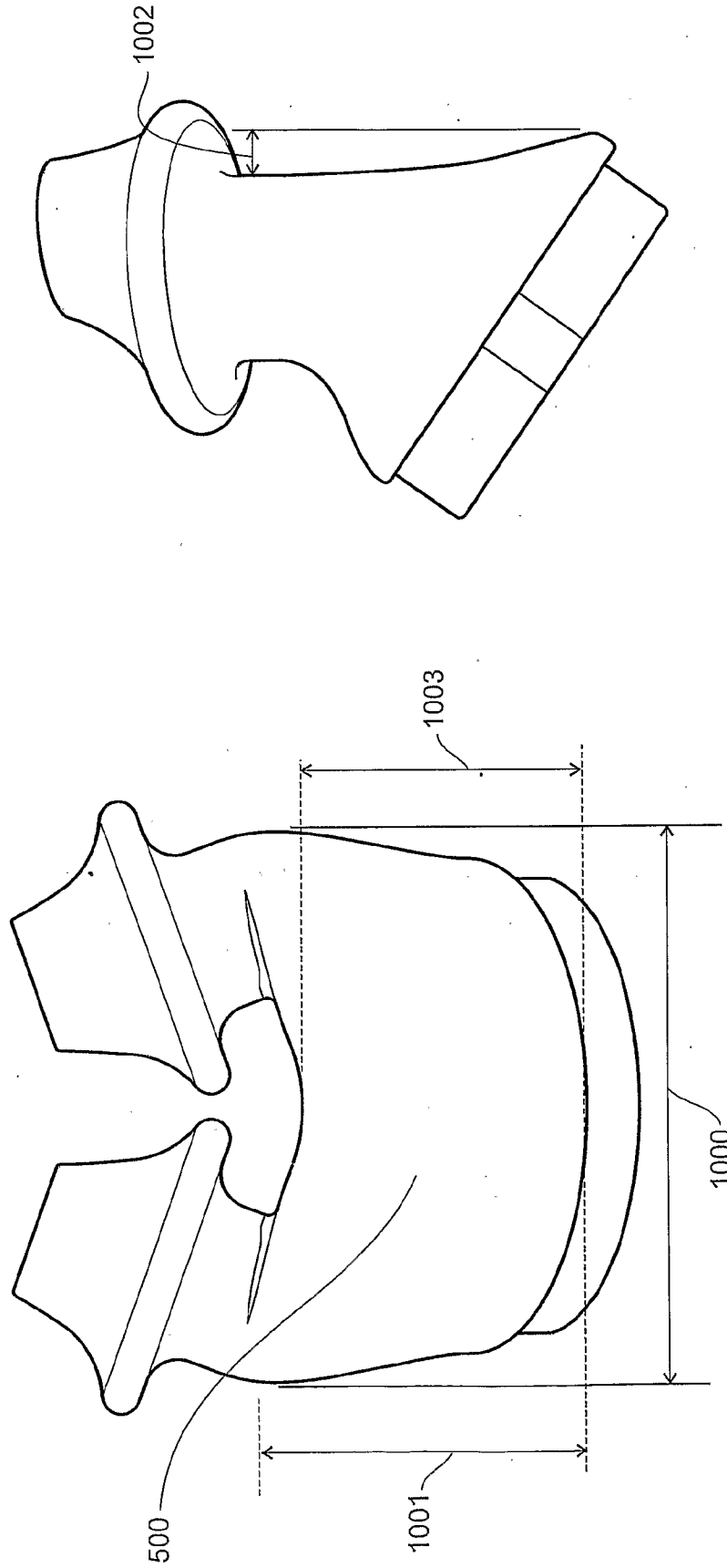


FIG. 5d

FIG. 5c

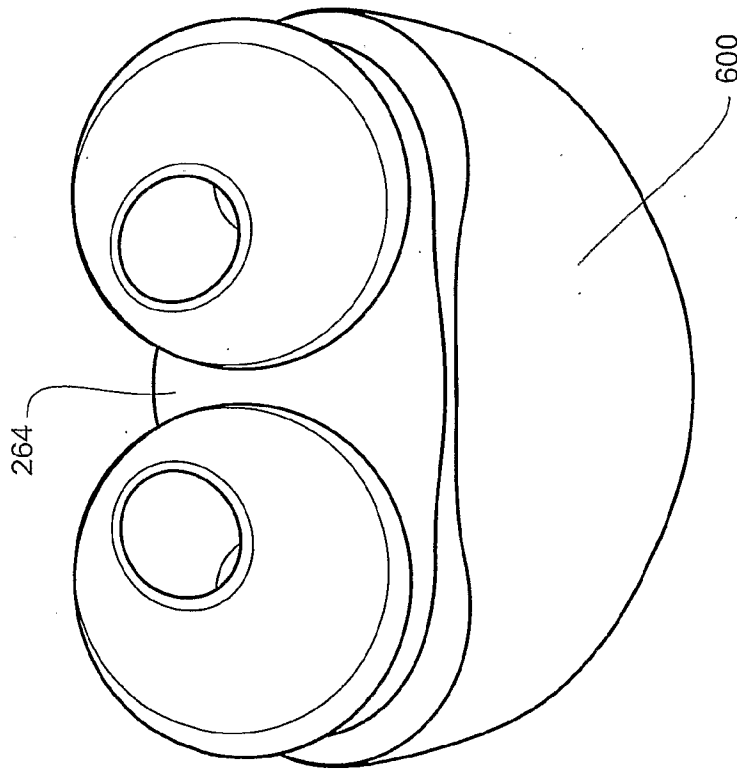


FIG. 6a

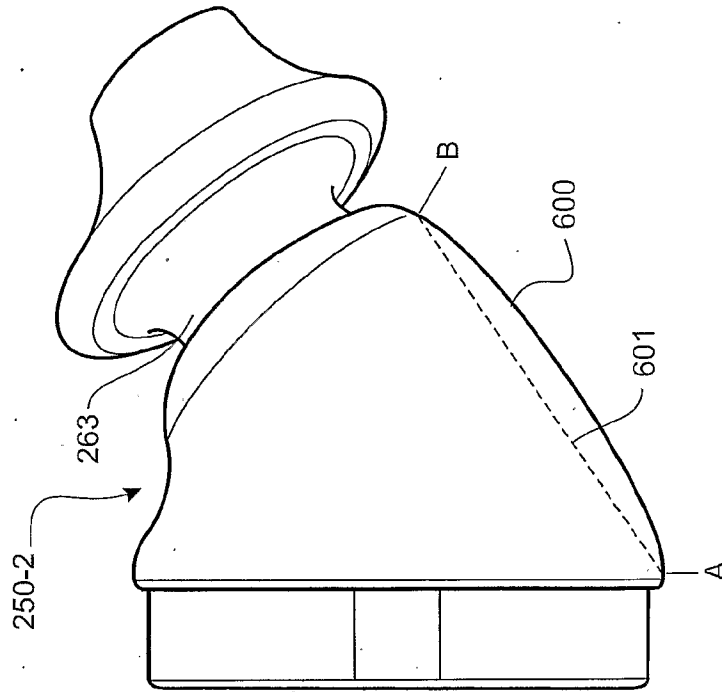


FIG. 6b

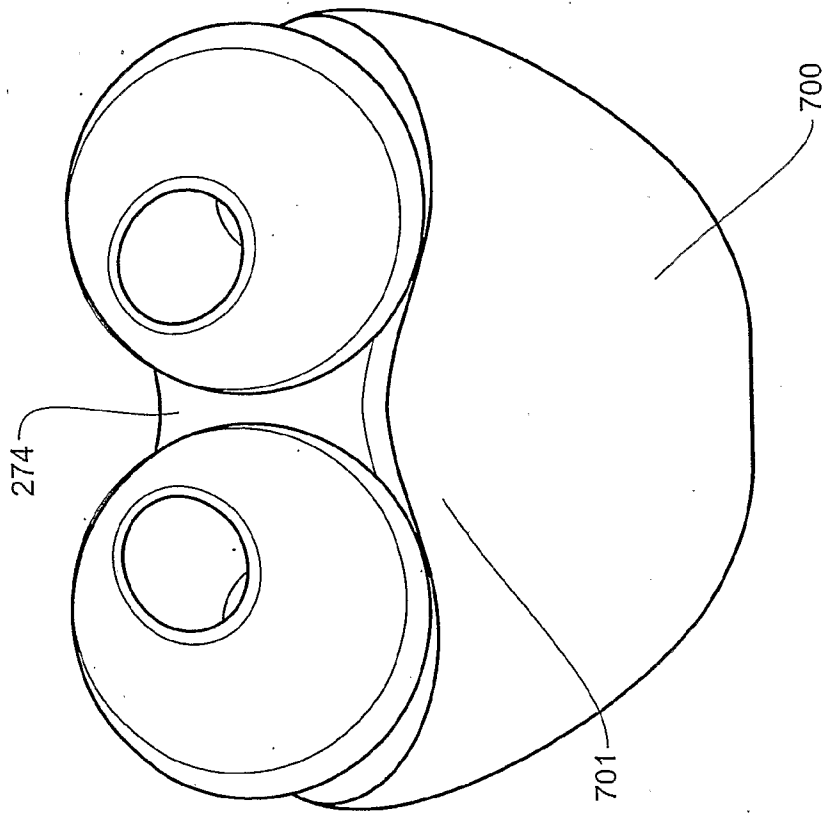


FIG. 7a

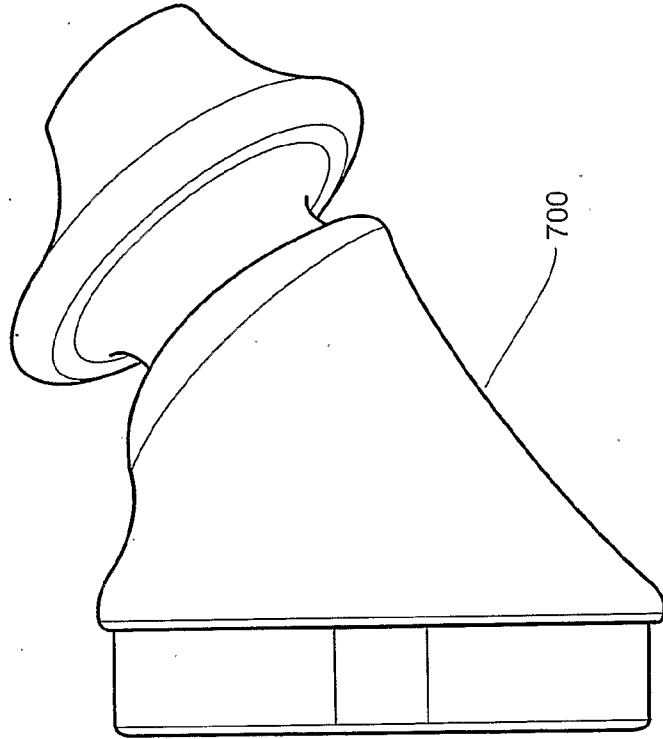


FIG. 7b

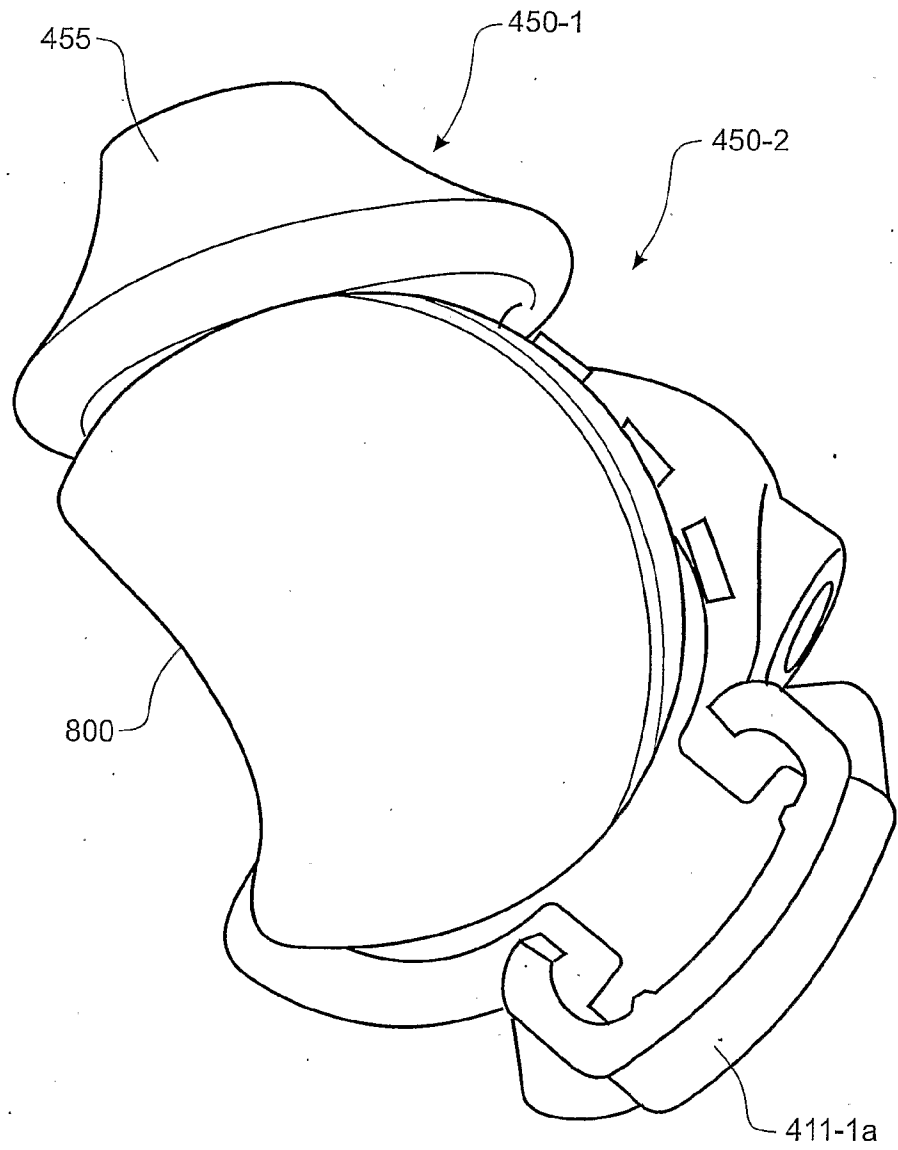


FIG. 8a

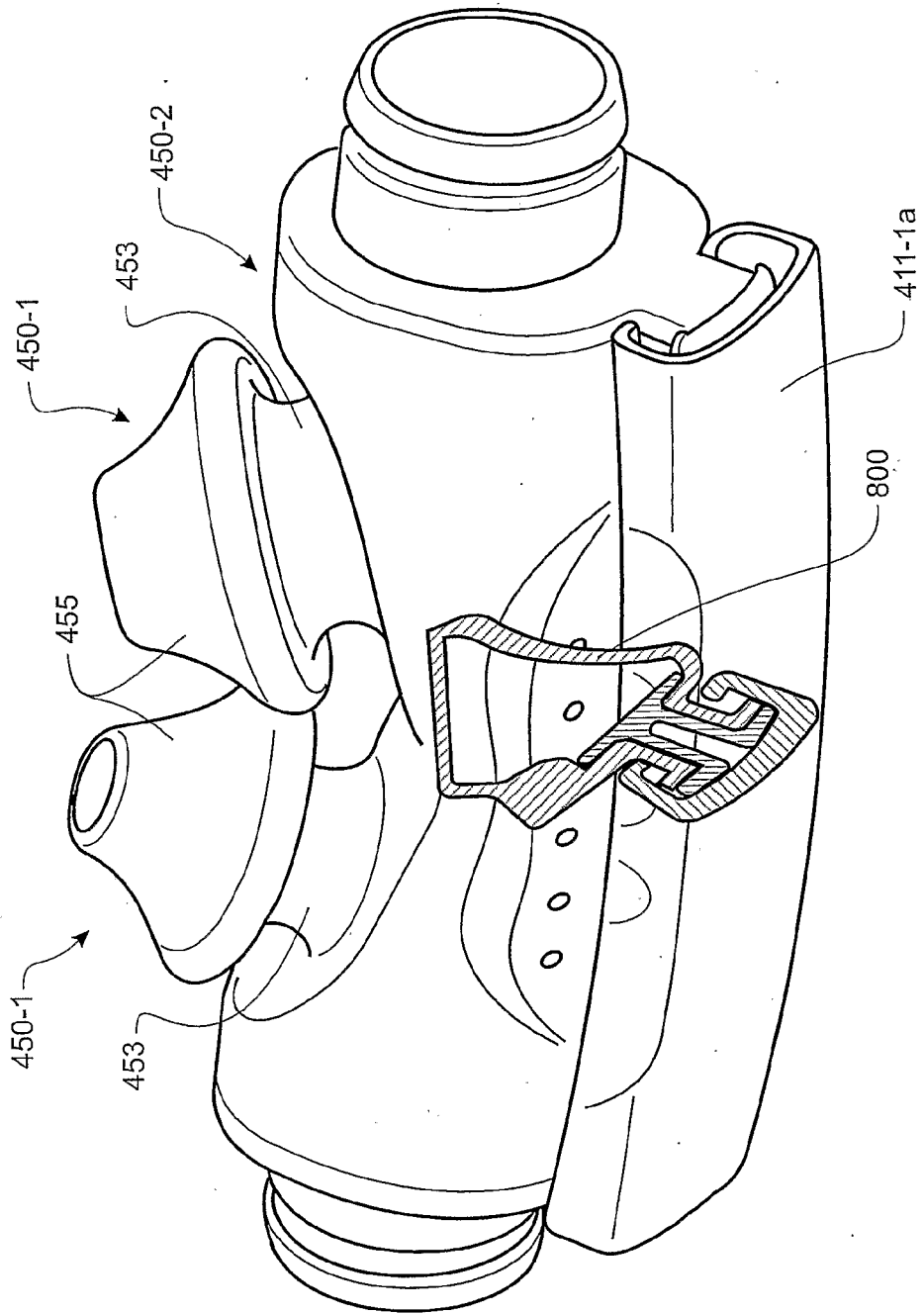


FIG. 8b

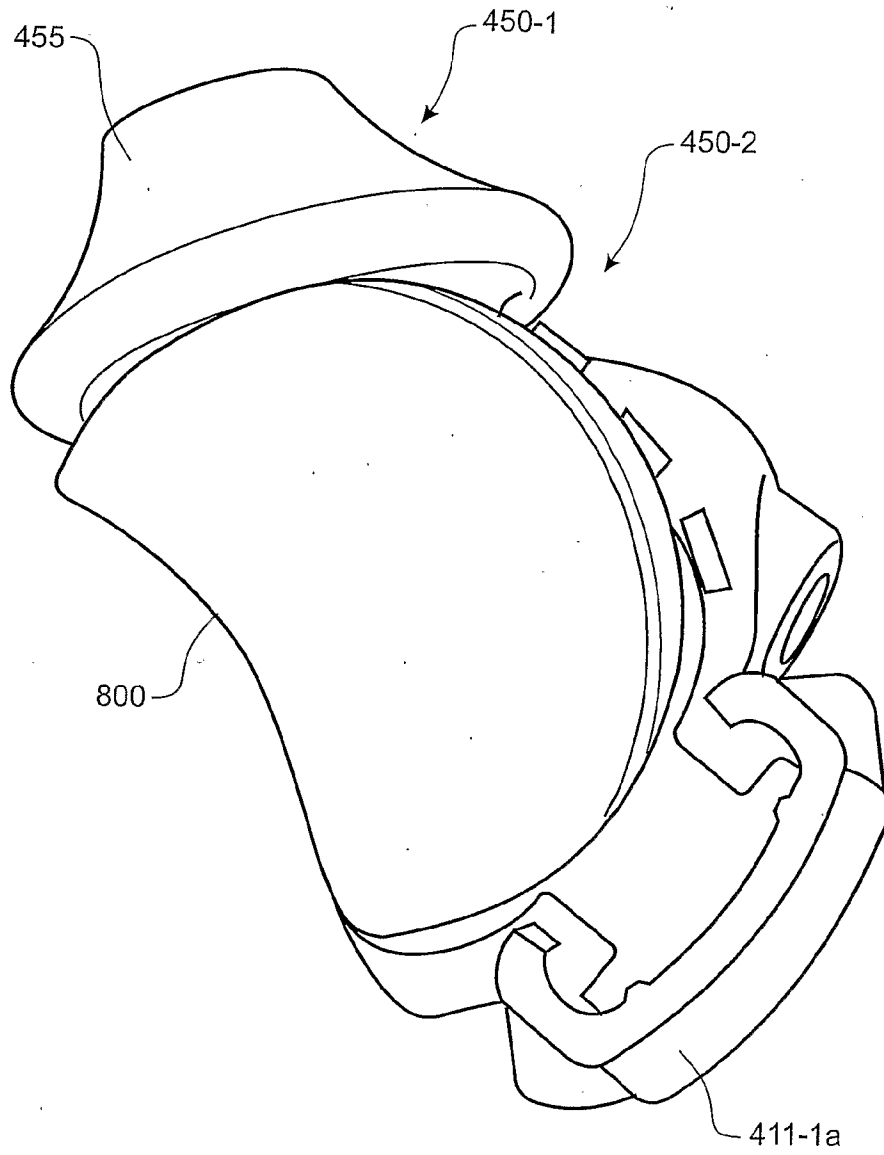


FIG. 8c

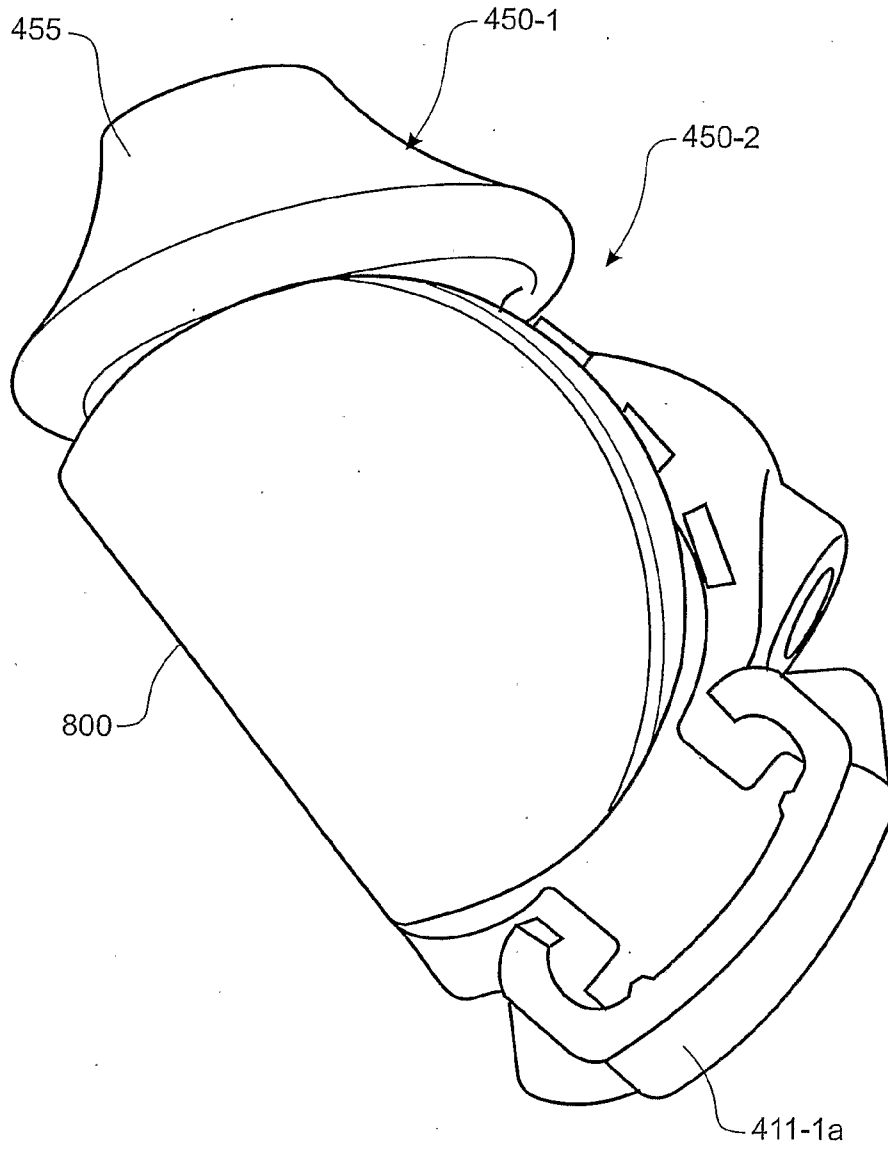


FIG. 8d

INTERNATIONAL SEARCH REPORT

International application No.

PCT/NZ2009/000219

A. CLASSIFICATION OF SUBJECT MATTER

Int. Cl.

A61M 16/06 (2006.01)

According to International Patent Classification (IPC) or to both national classification and IPC

B. FIELDS SEARCHED

Minimum documentation searched (classification system followed by classification symbols)

Documentation searched other than minimum documentation to the extent that such documents are included in the fields searched

Electronic data base consulted during the international search (name of data base and, where practicable, search terms used)

WPI, EPODOC IPC: A61M, A62B; keywords: nasal, pillow, convex and similar terms

C. DOCUMENTS CONSIDERED TO BE RELEVANT

Category*	Citation of document, with indication, where appropriate, of the relevant passages	Relevant to claim No.
P, X	WO 2009/092057 A1 (MENLO LIFE, INC) 23 July 2009 Page 58 line 11	1, 15, 31, 40, 49
P, X	EP 2 130 563 A1 (RESMED LIMITED) 9 December 2009 figure 71	1, 31
X	US 5,477,852 A (LANDIS et al) 26 December 1995 Figure 2, column 8 lines 29 to 30	1, 15, 31, 40, 49, 51
X	WO 2008/070929 A1 (RESMED LTD) 19 June 2008 Figure 27-7, paragraph 433	1, 13, 14, 15, 28, 31, 38, 40, 48, 49, 51

Further documents are listed in the continuation of Box C

See patent family annex

* Special categories of cited documents:		
"A" document defining the general state of the art which is not considered to be of particular relevance	"T" later document published after the international filing date or priority date and not in conflict with the application but cited to understand the principle or theory underlying the invention	
"E" earlier application or patent but published on or after the international filing date	"X" document of particular relevance; the claimed invention cannot be considered novel or cannot be considered to involve an inventive step when the document is taken alone	
"L" document which may throw doubts on priority claim(s) or which is cited to establish the publication date of another citation or other special reason (as specified)	"Y" document of particular relevance; the claimed invention cannot be considered to involve an inventive step when the document is combined with one or more other such documents, such combination being obvious to a person skilled in the art	
"O" document referring to an oral disclosure, use, exhibition or other means	"&" document member of the same patent family	
"P" document published prior to the international filing date but later than the priority date claimed		

Date of the actual completion of the international search 25 January 2010	Date of mailing of the international search report - 2 FEB 2010
Name and mailing address of the ISA/AU AUSTRALIAN PATENT OFFICE PO BOX 200, WODEN ACT 2606, AUSTRALIA E-mail address: pct@ipaaustralia.gov.au Facsimile No. +61 2 6283 7999	Authorized officer XAVIER GISZ AUSTRALIAN PATENT OFFICE (ISO 9001 Quality Certified Service) Telephone No : 6283 2351

INTERNATIONAL SEARCH REPORT

International application No.

PCT/NZ2009/000219

Box No. II Observations where certain claims were found unsearchable (Continuation of item 2 of first sheet)

This international search report has not been established in respect of certain claims under Article 17(2)(a) for the following reasons:

1. Claims Nos.:
because they relate to subject matter not required to be searched by this Authority, namely:

2. Claims Nos.: 52, 53, 54
because they relate to parts of the international application that do not comply with the prescribed requirements to such an extent that no meaningful international search can be carried out, specifically:
The claims do not comply with Rule 6.2(a) because they rely on references to the description and/or drawings.

3. Claims Nos.:
because they are dependent claims and are not drafted in accordance with the second and third sentences of Rule 6.4(a)

Box No. III Observations where unity of invention is lacking (Continuation of item 3 of first sheet)

This International Searching Authority found multiple inventions in this international application, as follows:

1. As all required additional search fees were timely paid by the applicant, this international search report covers all searchable claims.
2. As all searchable claims could be searched without effort justifying additional fees, this Authority did not invite payment of additional fees.
3. As only some of the required additional search fees were timely paid by the applicant, this international search report covers only those claims for which fees were paid, specifically claims Nos.:

4. No required additional search fees were timely paid by the applicant. Consequently, this international search report is restricted to the invention first mentioned in the claims; it is covered by claims Nos.:

Remark on Protest

- The additional search fees were accompanied by the applicant's protest and, where applicable, the payment of a protest fee.
- The additional search fees were accompanied by the applicant's protest but the applicable protest fee was not paid within the time limit specified in the invitation.
- No protest accompanied the payment of additional search fees.

INTERNATIONAL SEARCH REPORT

Information on patent family members

International application No.

PCT/NZ2009/000219

This Annex lists the known "A" publication level patent family members relating to the patent documents cited in the above-mentioned international search report. The Australian Patent Office is in no way liable for these particulars which are merely given for the purpose of information.

Patent Document Cited in Search Report		Patent Family Member					
WO	2009092057	US	2009183739				
EP	2130563	AU	2009202232	US	2010000534	WO	2009109005
US	5477852	CA	2110450	EP	0658356	US	5269296
		US	5687715				
WO	2008070929	AU	2007278766	CN	101495170	CN	101516427
		EP	2046430	EP	2051760	EP	2083897
		EP	2101855	US	2008047560	US	2008060649
		US	2009217929	US	2009223518	WO	2008011682
		WO	2008011683	WO	2009052560		

Due to data integration issues this family listing may not include 10 digit Australian applications filed since May 2001.

END OF ANNEX