

(19) World Intellectual Property Organization
International Bureau



(43) International Publication Date
13 December 2007 (13.12.2007)

PCT

(10) International Publication Number
WO 2007/143257 A3

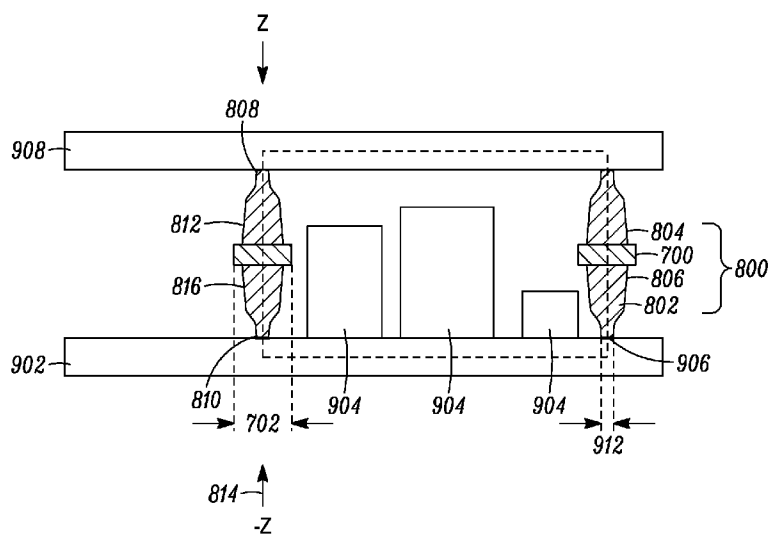
- (51) International Patent Classification:
H05K 9/00 (2006.01)
- (21) International Application Number:
PCT/US2007/065419
- (22) International Filing Date: 29 March 2007 (29.03.2007)
- (25) Filing Language: English
- (26) Publication Language: English
- (30) Priority Data:
11/421,230 31 May 2006 (31.05.2006) US
- (71) Applicant (for all designated States except US): **MO-TOROLA, INC.** [US/US]; 1303 East Algonquin Road, Schaumburg, Illinois 60196 (US).

- (81) Designated States (unless otherwise indicated, for every kind of national protection available): AE, AG, AL, AM, AT, AU, AZ, BA, BB, BG, BH, BR, BW, BY, BZ, CA, CH, CN, CO, CR, CU, CZ, DE, DK, DM, DZ, EC, EE, EG, ES, FI, GB, GD, GE, GH, GM, GT, HN, HR, HU, ID, IL, IN, IS, JP, KE, KG, KM, KN, KP, KR, KZ, LA, LC, LK, LR, LS, LT, LU, LY, MA, MD, MG, MK, MN, MW, MX, MY, MZ, NA, NG, NI, NO, NZ, OM, PG, PH, PL, PT, RO, RS, RU, SC, SD, SE, SG, SK, SL, SM, SV, SY, TJ, TM, TN, TR, TT, TZ, UA, UG, US, UZ, VC, VN, ZA, ZM, ZW.
- (84) Designated States (unless otherwise indicated, for every kind of regional protection available): ARIPO (BW, GH, GM, KE, LS, MW, MZ, NA, SD, SL, SZ, TZ, UG, ZM, ZW), Eurasian (AM, AZ, BY, KG, KZ, MD, RU, TJ, TM), European (AT, BE, BG, CH, CY, CZ, DE, DK, EE, ES, FI, FR, GB, GR, HU, IE, IS, IT, LT, LU, LV, MC, MT, NL, PL, PT, RO, SE, SI, SK, TR), OAPI (BF, BJ, CF, CG, CI, CM, GA, GN, GQ, GW, ML, MR, NE, SN, TD, TG).

- (72) Inventor; and
- (75) Inventor/Applicant (for US only): **GARCIA, Jorge, L.** [US/US]; 1041 N.W. 95th Avenue, Plantation, Florida 33322 (US).
- (74) Agents: **DOUTRE, Barbara, R.** et al.; 8000 West Sunrise Boulevard, Room 1610, Plantation, Florida 33322 (US).

- Published:
 - with international search report
 - before the expiration of the time limit for amending the claims and to be republished in the event of receipt of amendments
- (88) Date of publication of the international search report: 17 April 2008

(54) Title: SHIELD FRAME FOR A RADIO FREQUENCY SHIELDING ASSEMBLY



900

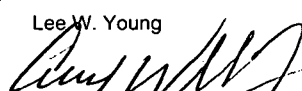
(57) Abstract: A shield frame (800) is provided that allows for narrow width tracks to be used in a radio frequency (RF) shielding apparatus (900). The shield frame (800) is formed of a sheet metal frame (700) overmolded with a conductive elastomer (802) to form narrow edges (808, 810) that provide compliance in a +/-z-axis (814) directions while thicker portions of the overmolded conductive elastomer prevent buckling of the elastomer. The shield frame (800) can be sandwiched between two substrates (902, 908) of a communication device (900) having components (904) requiring RF shielding. Narrowing of the conductive elastomer overmold (802) allows ground tracks/runners (906) to be used on a substrate (902) which are narrower in width (912) than the shield frame width (702) thereby providing increased area for component placement.

WO 2007/143257 A3

INTERNATIONAL SEARCH REPORT

International application No.

PCT/US 07/65419

A. CLASSIFICATION OF SUBJECT MATTER IPC(8) - H05K 9/00 (2007.10) USPC - 174/387 According to International Patent Classification (IPC) or to both national classification and IPC		
B. FIELDS SEARCHED Minimum documentation searched (classification system followed by classification symbols) IPC(8): H05K 9/00 (2007.10); USPC: 174/387 Documentation searched other than minimum documentation to the extent that such documents are included in the fields searched USPC: 174/387, 384, DIG.35; 361/816 (keyword limited -- see keywords below) Electronic data base consulted during the international search (name of data base and, where practicable, search terms used) PubWEST(PGPB,USPT,EPAB,JPAB); SCHOLAR GOOGLE; Terms: conductive elastomer, shield frame, radio frequency, RF, electro-magnetic interference, EMI, shielding, gasket		
C. DOCUMENTS CONSIDERED TO BE RELEVANT		
Category*	Citation of document, with indication, where appropriate, of the relevant passages	Relevant to claim No.
Y	US 5,524,908 A (REIS) 11 June 1996 (11.06.1996), entire document; Abstract; col 4, ln 1-8; Fig 1; col 4, ln 38-58; col 5, ln 13-47; col 1, ln 12-27; col 5, ln 13-47; col 6, ln 28-46; Fig 1; col 1, ln 28-53; col 1, ln 19-27.	1-13
Y	US 6,121,545 A (PENG et al.) 29 September 2000 (19.09.2000), entire document; Abstract; col 3, ln 36-44; Fig 1, item 14a-b; col 3, ln 36-44; Fig 1, item 26; col 4, ln 11-14; Fig 2b; col 3, ln 14-44; col 5, ln 41-46; col 1, ln 28-53.	1-13
Y	US 5,566,055 A (SALVI, JR.) 15 October 1996 (15.10.1996), entire document.	1-13
<input type="checkbox"/> Further documents are listed in the continuation of Box C. <input type="checkbox"/>		
* Special categories of cited documents: "A" document defining the general state of the art which is not considered to be of particular relevance "E" earlier application or patent but published on or after the international filing date "L" document which may throw doubts on priority claim(s) or which is cited to establish the publication date of another citation or other special reason (as specified) "O" document referring to an oral disclosure, use, exhibition or other means "P" document published prior to the international filing date but later than the priority date claimed "T" later document published after the international filing date or priority date and not in conflict with the application but cited to understand the principle or theory underlying the invention "X" document of particular relevance; the claimed invention cannot be considered novel or cannot be considered to involve an inventive step when the document is taken alone "Y" document of particular relevance; the claimed invention cannot be considered to involve an inventive step when the document is combined with one or more other such documents, such combination being obvious to a person skilled in the art "&" document member of the same patent family		
Date of the actual completion of the international search 21 October 2007 (21.10.2007)		Date of mailing of the international search report 15 FEB 2008
Name and mailing address of the ISA/US Mail Stop PCT, Attn: ISA/US, Commissioner for Patents P.O. Box 1450, Alexandria, Virginia 22313-1450 Facsimile No. 571-273-3201		Authorized officer: Lee W. Young  PCT Helpdesk: 571-272-4300 PCT OSP: 571-272-7774