



US00D794874S

(12) **United States Design Patent**  
**Marks**

(10) **Patent No.:** **US D794,874 S**

(45) **Date of Patent:** **\*\* Aug. 15, 2017**

(54) **PIPING ENCLOSURE UNIT OF AN**  
**AQUARIUM**

(71) Applicant: **Red Sea Aquatics (UK) Ltd.**, Cheddar  
(GB)

(72) Inventor: **Neil H. Marks**, Ra'anana (IL)

(73) Assignee: **Red Sea Aquatics (UK) Ltd.**, Cheddar  
(GB)

(\*\*) Term: **15 Years**

(21) Appl. No.: **29/555,022**

(22) Filed: **Feb. 17, 2016**

(51) **LOC (10) Cl.** ..... **30-02**

(52) **U.S. Cl.**  
USPC ..... **D30/106**

(58) **Field of Classification Search**  
USPC ..... D30/101-107; D23/210  
CPC .... A01K 63/04; A01K 63/045; A01K 63/003;  
A01K 63/006; C02F 3/06  
See application file for complete search history.

(56) **References Cited**

U.S. PATENT DOCUMENTS

2,776,642 A	1/1957	Sepersky	
3,149,608 A	9/1964	Murphy	
3,216,395 A *	11/1965	Girard	A01K 63/006 D30/106
3,387,587 A	6/1968	Smith et al.	
3,557,753 A	1/1971	Dantoni	
3,661,262 A	5/1972	Sanders	
3,720,318 A	3/1973	Cohen	
3,850,806 A	11/1974	Cohen	
3,957,017 A	5/1976	Carmignani et al.	
4,004,551 A	1/1977	Kato	
4,029,050 A	6/1977	Genest	
4,606,821 A	8/1986	D'Imperio	
4,844,013 A	7/1989	De Haan et al.	
4,863,594 A	9/1989	Pedretti	

4,988,436 A	1/1991	Cole
5,078,867 A	1/1992	Danner
5,084,164 A	1/1992	Del Rosario
5,160,853 A	11/1992	Simon et al.
5,171,438 A	12/1992	Korz
5,172,650 A	12/1992	Hsu et al.
5,299,424 A	4/1994	Woodson et al.

(Continued)

FOREIGN PATENT DOCUMENTS

GB	2239402 A	7/1991
JP	H9-308409 A	12/1997

*Primary Examiner* — Wan Laymon

(74) *Attorney, Agent, or Firm* — Novick, Kim & Lee,  
PLLC; Harold L. Novick

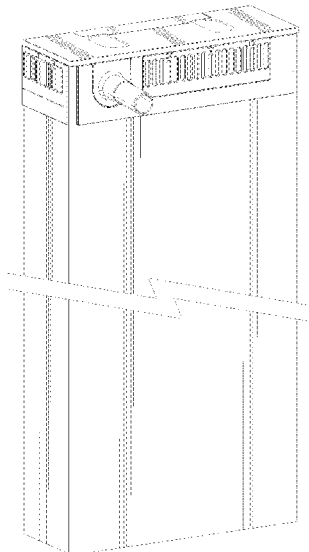
(57) **CLAIM**

I claim the ornamental design for a piping enclosure unit of an aquarium, as shown and described.

**DESCRIPTION**

FIG. 1 is a front perspective view of a piping enclosure unit of an aquarium, showing my new design; FIG. 2 is a front elevational view thereof; FIG. 3 is a rear elevational view thereof; FIG. 4 is a left side elevational view thereof; FIG. 5 is a right side elevational view thereof; FIG. 6 is a top plan view thereof; and, FIG. 7 is a front perspective view thereof shown in an environment of an aquarium and cabinet. The bottom plan view of the design is not shown. The bottom is flat and not visible in use. The dashed lines indicate unclaimed elements or the environment only and form no part of the claimed design. The piping enclosure unit of an aquarium is shown with a symbolic break in its height. The appearance of any portion of the article between the break lines forms no part of the claimed design.

**1 Claim, 7 Drawing Sheets**



(56)

**References Cited**

## U.S. PATENT DOCUMENTS

5,306,421	A	4/1994	Weinstein	
5,408,955	A	4/1995	Tsuchiya	
5,427,060	A	6/1995	Kikuta	
5,514,280	A *	5/1996	Logan	A01K 63/045 119/260
5,626,747	A *	5/1997	Ritzow	A01K 63/045 119/259
5,628,905	A	5/1997	Montalbano	
5,667,671	A	9/1997	Munsch et al.	
5,901,663	A *	5/1999	Reinke	A01K 63/047 119/259
6,276,302	B1 *	8/2001	Lee	A01K 63/003 119/248
6,561,135	B1	5/2003	Creech, Sr. et al.	
6,849,189	B2	2/2005	Curlee et al.	
6,869,530	B1	3/2005	Venezia	
6,962,019	B1 *	11/2005	McDougle	A01K 63/045 119/226
7,094,335	B2	8/2006	Patron	
7,886,696	B2	2/2011	Marks et al.	
8,268,166	B2 *	9/2012	Marks	A01K 63/04 119/263
9,021,988	B2 *	5/2015	Turover	A01K 63/04 119/264
2008/0014320	A1 *	1/2008	Liao	A01K 63/04 426/241
2015/0189862	A1 *	7/2015	Lipscomb	A01K 63/045 210/232

\* cited by examiner

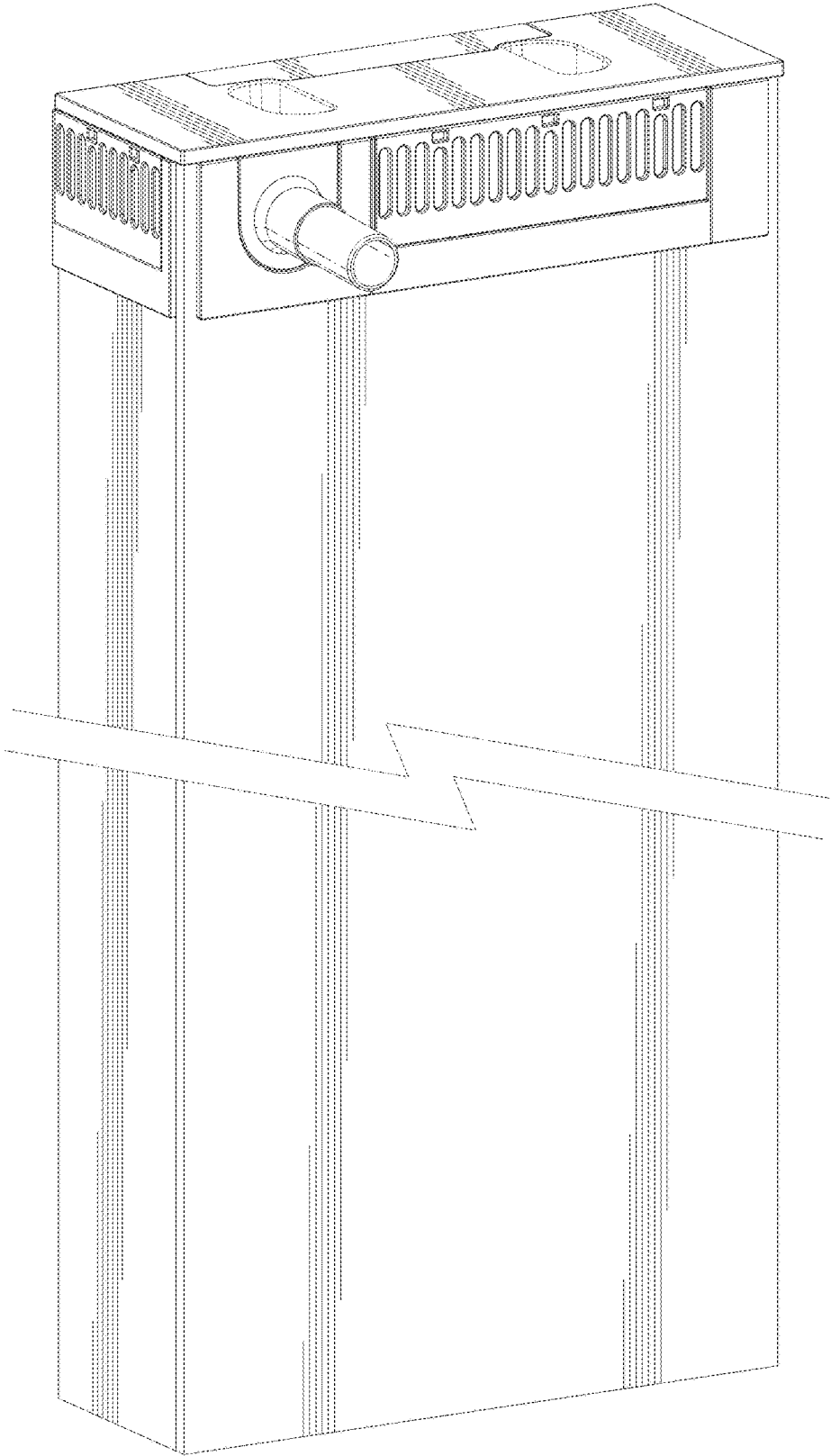


FIG. 1

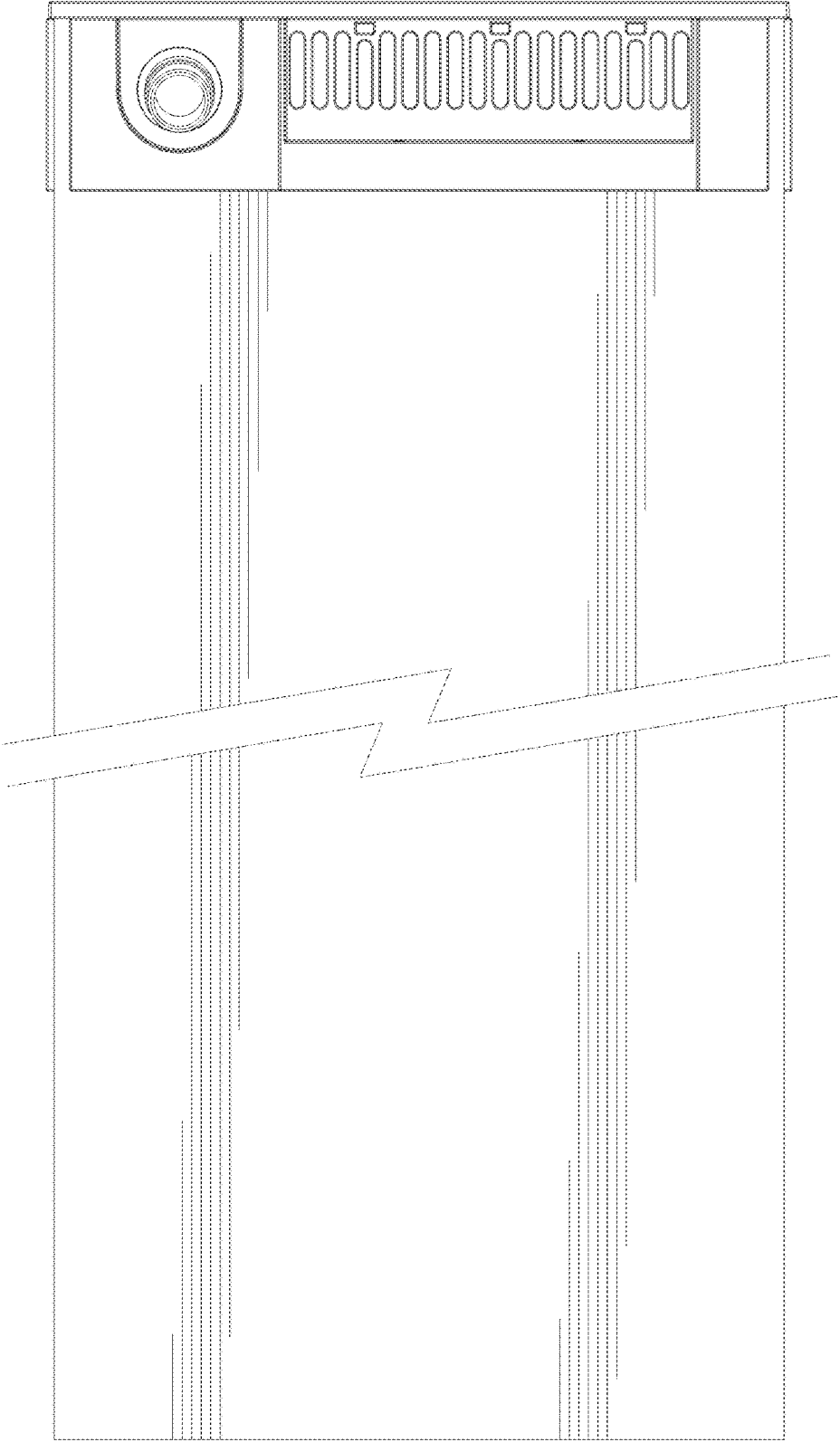


FIG. 2

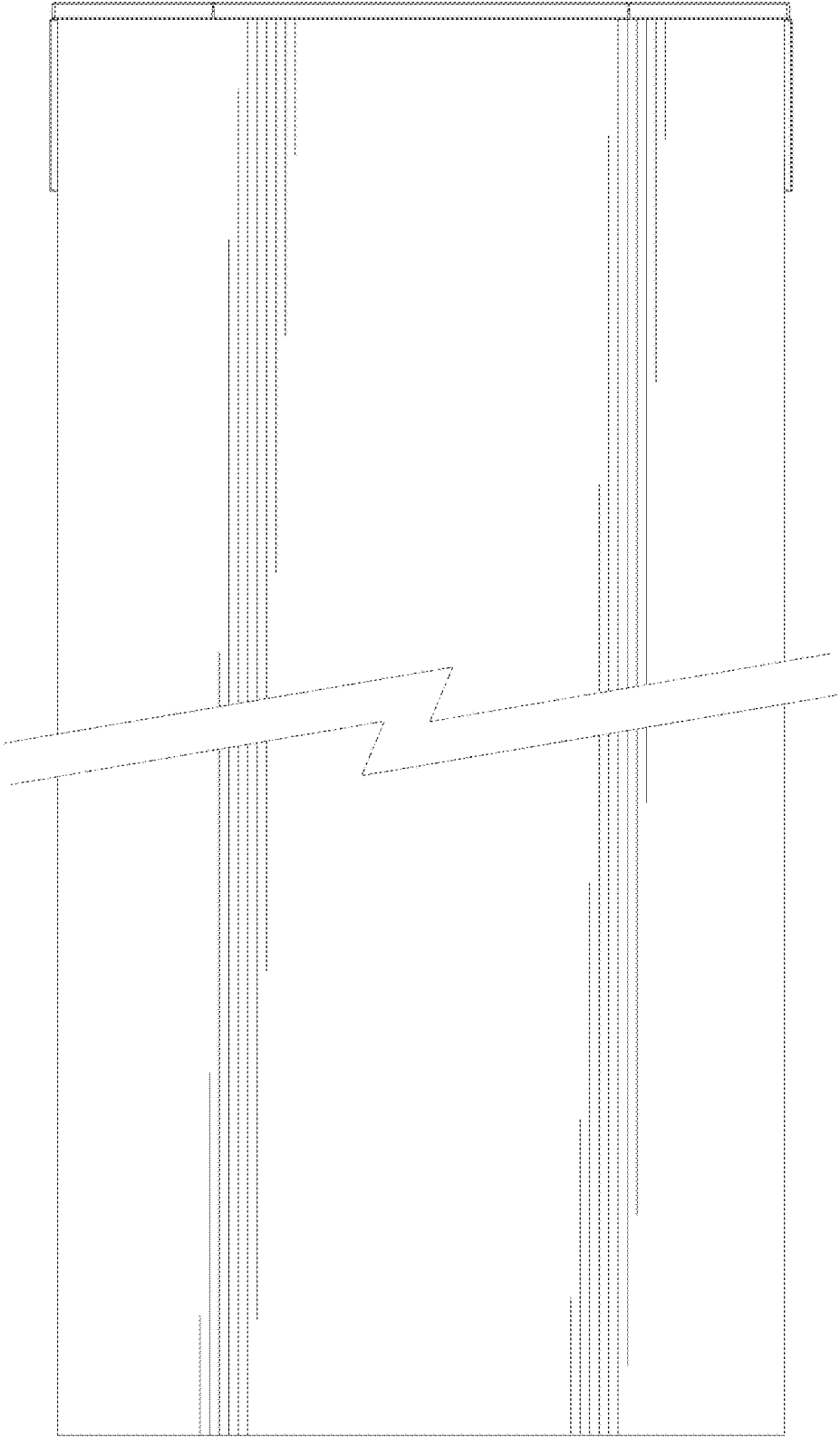


FIG. 3

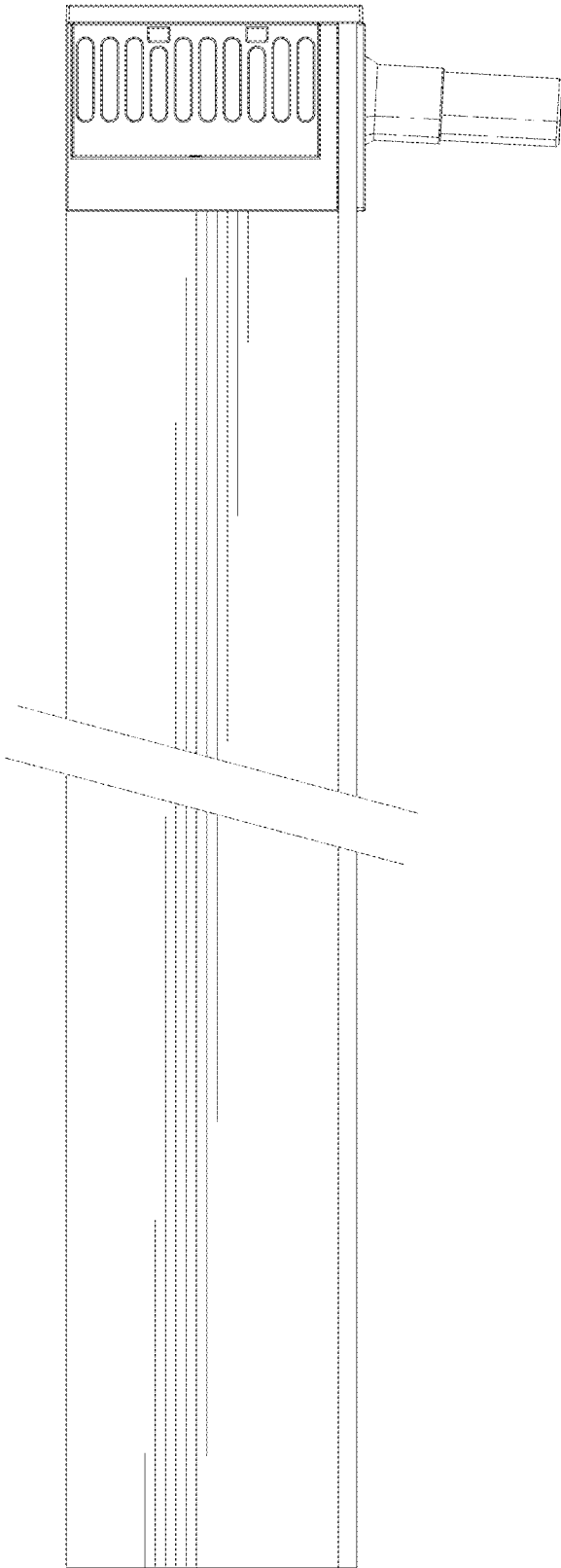


FIG. 4

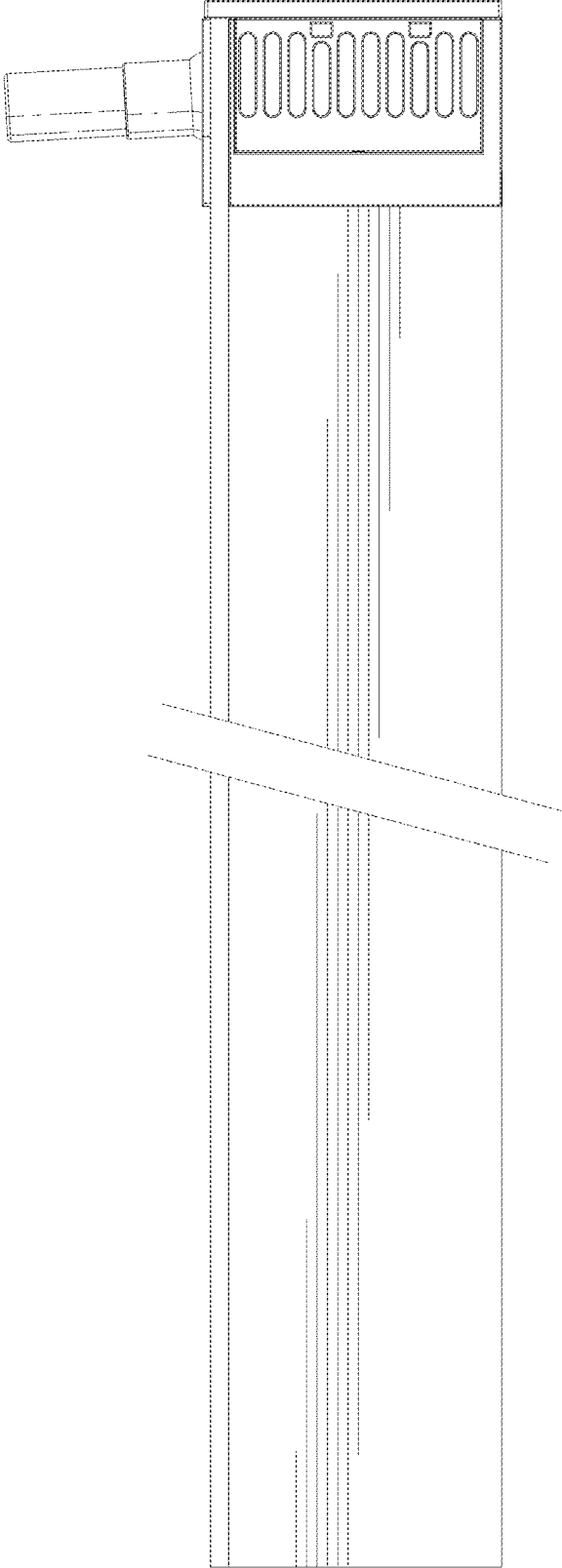


FIG. 5

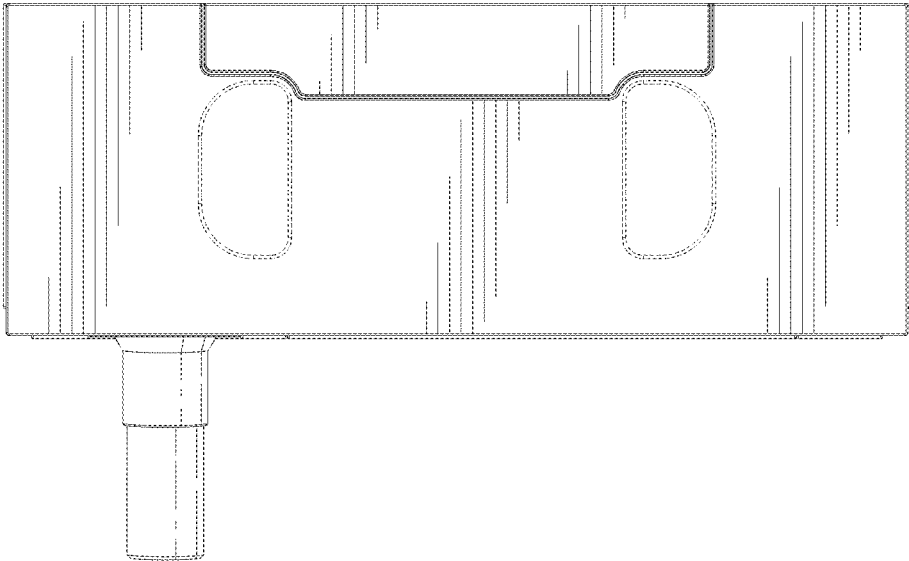


FIG. 6

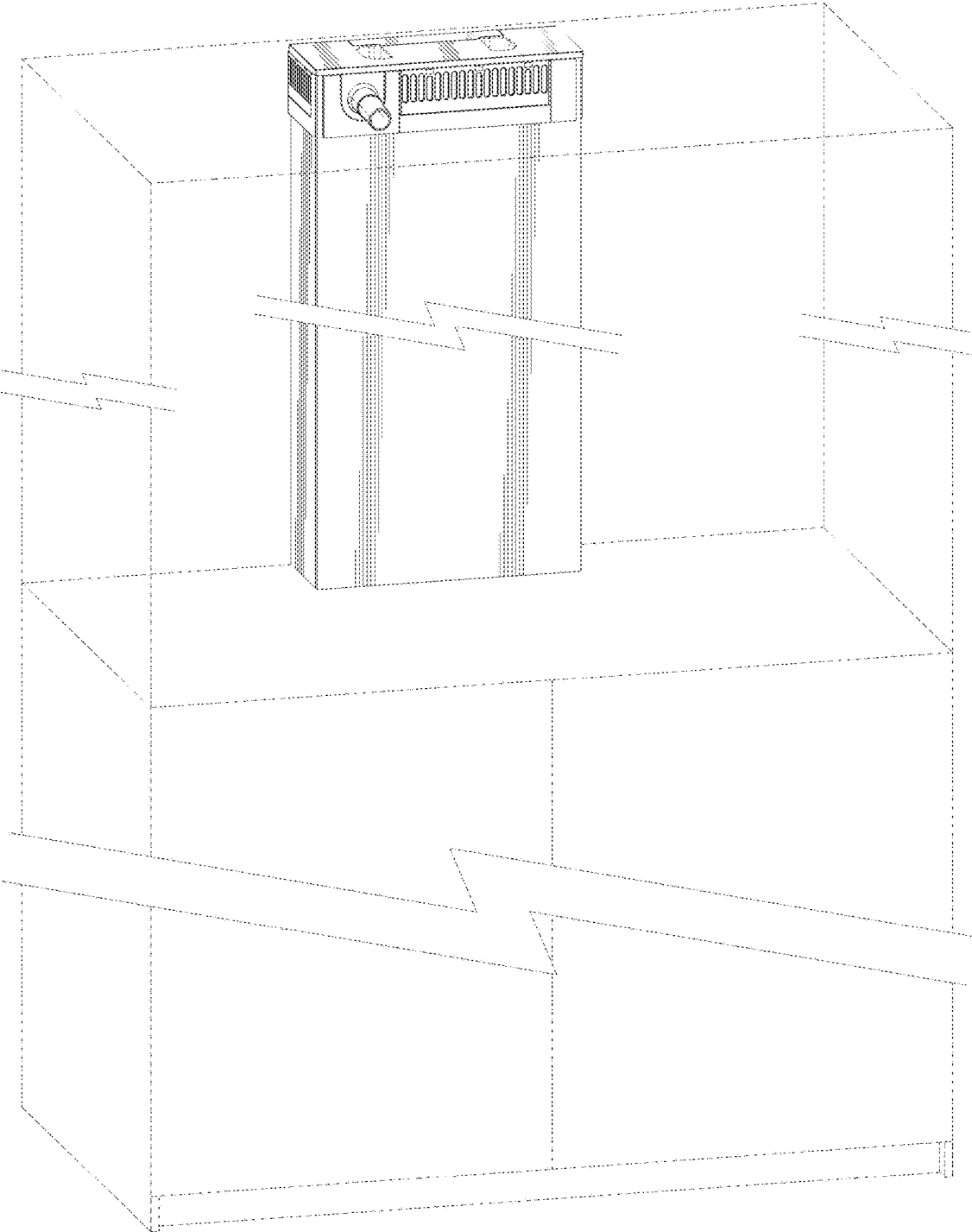


FIG. 7