

(19) World Intellectual Property Organization  
International Bureau



(43) International Publication Date  
8 October 2009 (08.10.2009)

PCT

(10) International Publication Number  
WO 2009/123772 A3

(51) International Patent Classification:

C12M 1/26 (2006.01) C12M 1/36 (2006.01)  
C12M 1/32 (2006.01) C12M 1/38 (2006.01)  
C12M 1/34 (2006.01) C12M 3/02 (2006.01)

(21) International Application Number:

PCT/US2009/030600

(22) International Filing Date:

9 January 2009 (09.01.2009)

(25) Filing Language:

English

(26) Publication Language:

English

(30) Priority Data:

12/013,746 14 January 2008 (14.01.2008) US

(71) Applicant (for all designated States except US): **BOARD OF REGENTS OF THE UNIVERSITY OF NEBRASKA** [US/US]; Varner Hall, 3835 Holdrege Street, Lincoln, NE 68583-0745 (US).

(72) Inventor; and

(75) Inventor/Applicant (for US only): **MARKIN, Rodney, S.** [US/US]; 983135 Nebraska Medical Center, Omaha, NE 68198-3135 (US).

(74) Agents: **HESTERBERG, Brett, A.** et al.; Leydig, Voit & Mayer, Ltd., 180 North Stetson Avenue, Suite 4900, Chicago, IL 60601-6731 (US).

(81) Designated States (unless otherwise indicated, for every kind of national protection available):

AE, AG, AL, AM, AO, AT, AU, AZ, BA, BB, BG, BH, BR, BW, BY, BZ, CA, CH, CN, CO, CR, CU, CZ, DE, DK, DM, DO, DZ, EC, EE, EG, ES, FI, GB, GD, GE, GH, GM, GT, HN, HR, HU, ID, IL, IN, IS, JP, KE, KG, KM, KN, KP, KR, KZ, LA, LC, LK, LR, LS, LT, LU, LY, MA, MD, ME, MG, MK, MN, MW, MX, MY, MZ, NA, NG, NI, NO, NZ, OM, PG, PH, PL, PT, RO, RS, RU, SC, SD, SE, SG, SK, SL, SM, ST, SV, SY, TJ, TM, TN, TR, TT, TZ, UA, UG, US, UZ, VC, VN, ZA, ZM, ZW.

(84) Designated States (unless otherwise indicated, for every kind of regional protection available):

ARIPO (BW, GH, GM, KE, LS, MW, MZ, NA, SD, SL, SZ, TZ, UG, ZM, ZW), Eurasian (AM, AZ, BY, KG, KZ, MD, RU, TJ, TM), European (AT, BE, BG, CH, CY, CZ, DE, DK, EE, ES, FI, FR, GB, GR, HR, HU, IE, IS, IT, LT, LU, LV, MC, MK, MT, NL, NO, PL, PT, RO, SE, SI, SK, TR), OAPI (BF, BJ, CF, CG, CI, CM, GA, GN, GQ, GW, ML, MR, NE, SN, TD, TG).

Published:

- with international search report (Art. 21(3))
- before the expiration of the time limit for amending the claims and to be republished in the event of receipt of amendments (Rule 48.2(h))

[Continued on next page]

(54) Title: DEVICE AND METHOD FOR AUTOMATING MICROBIOLOGY PROCESSES

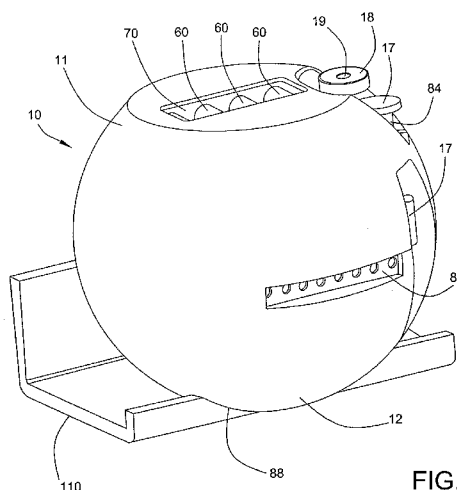


FIG. 1

(57) Abstract: A device and method for automating the handling and testing of microbiological specimens are provided. A portable specimen collection vehicle (SCV) is provided which comprises a protective housing, a specimen chamber for receiving a biospecimen sample, a plurality of culturing chambers each for receiving a portion of the biospecimen sample and each containing a different culture medium, a system of fluid ducts connecting the specimen chamber to each of the culturing chambers, and an actuator that facilitates flow of portions of the biospecimen sample from the specimen chamber through the system of fluid ducts and into each of the culturing chambers, wherein biological organisms in the biospecimen begin to grow in one or more of the culturing chambers and cultured portions of the biospecimen sample can be withdrawn selectively from the apparatus. A microbiology automation platform includes a computer system that integrates microbiology laboratory instruments and workflow logic in order to perform organism detection and susceptibilities on specimens contained in an SCV. The platform is intended to automate the work of a medical technologist which is characteristically labor intensive. The platform includes accession of the specimen, pre-test processes, detection and susceptibility assays, post-test handling and reporting of results.



WO 2009/123772 A3

**(88) Date of publication of the international search report:**  
12 January 2012

INTERNATIONAL SEARCH REPORT

International application No  
PCT/US2009/030600

A. CLASSIFICATION OF SUBJECT MATTER  
 INV. C12M1/26 C12M1/32 C12M1/34 C12M1/36 C12M1/38  
 C12M3/02  
 ADD.  
 According to International Patent Classification (IPC) or to both national classification and IPC

B. FIELDS SEARCHED  
 Minimum documentation searched (classification system followed by classification symbols)  
 C12M

Documentation searched other than minimum documentation to the extent that such documents are included in the fields searched

Electronic data base consulted during the international search (name of data base and, where practical, search terms used)  
 EPO-Internal, WPI Data

C. DOCUMENTS CONSIDERED TO BE RELEVANT

Category*	Citation of document, with indication, where appropriate, of the relevant passages	Relevant to claim No.
A	WO 94/15219 A1 (UNIV NEBRASKA [US]) 7 July 1994 (1994-07-07) pages 3,4,6-8 claims; figures	1,16,24
A	US 5 998 202 A (SCHWARZ RAY P [US] ET AL) 7 December 1999 (1999-12-07) columns 1-2 claims; figures	1,16,24
A	US 5 612 188 A (SHULER MICHAEL L [US] ET AL) 18 March 1997 (1997-03-18) columns 2-3 claims; figures	1,16,24
A	US 2006/263258 A1 (HARRIS MATTHEW [US] ET AL) 23 November 2006 (2006-11-23) paragraphs [0006], [0018], [20.26]	1,16,24
	-/--	

Further documents are listed in the continuation of Box C.

See patent family annex.

\* Special categories of cited documents :

- "A" document defining the general state of the art which is not considered to be of particular relevance
- "E" earlier document but published on or after the international filing date
- "L" document which may throw doubts on priority claim(s) or which is cited to establish the publication date of another citation or other special reason (as specified)
- "O" document referring to an oral disclosure, use, exhibition or other means
- "P" document published prior to the international filing date but later than the priority date claimed

- "T" later document published after the international filing date or priority date and not in conflict with the application but cited to understand the principle or theory underlying the invention
- "X" document of particular relevance; the claimed invention cannot be considered novel or cannot be considered to involve an inventive step when the document is taken alone
- "Y" document of particular relevance; the claimed invention cannot be considered to involve an inventive step when the document is combined with one or more other such documents, such combination being obvious to a person skilled in the art.
- "&" document member of the same patent family

Date of the actual completion of the international search  15 November 2011	Date of mailing of the international search report  23/11/2011
---	--

Name and mailing address of the ISA/ European Patent Office, P.B. 5818 Patentlaan 2 NL - 2280 HV Rijswijk Tel. (+31-70) 340-2040, Fax: (+31-70) 340-3016	Authorized officer  Böhm, Ingo
--	--------------------------------------

## INTERNATIONAL SEARCH REPORT

International application No  
PCT/US2009/030600

C(Continuation). DOCUMENTS CONSIDERED TO BE RELEVANT		
Category*	Citation of document, with indication, where appropriate, of the relevant passages	Relevant to claim No.
A	FR 2 600 166 A1 (RHONE POULENC RECH [FR]) 18 December 1987 (1987-12-18) pages 5-7 claims; figures	16,24
A	MARKIN R S: "IMPLEMENTING AUTOMATION IN A MODERN CLINICAL LABORATORY", LABORATORY AUTOMATION & INFORMATION MANAGEMENT, ELSEVIER SCIENCE PUBLISHERS BV., AMSTERDAM, NL, vol. 21, no. 2/03, 1 December 1993 (1993-12-01), pages 169-179, XP000413289, ISSN: 1381-141X the whole document	1,16,24
A	TOSHIYUKI IKEDA ET AL: "TOTAL CLINICAL LABORATORY TESTING SYSTEM FOR LABORATORY AUTOMATION", 1 September 1992 (1992-09-01), HITACHI REVIEW, HITACHI LTD. TOKYO, JP, PAGE(S) 167 - 172, XP000334656, ISSN: 0018-277X pages 167,168 page 170; figures	1,16,24
A	DE 39 34 890 A1 (OLYMPUS OPTICAL CO [JP]) 26 April 1990 (1990-04-26) the whole document	1,16,24
A	EP 1 548 099 A1 (JAPAN SCIENCE & TECH AGENCY [JP]) 29 June 2005 (2005-06-29) paragraphs [0020] - [0022]	1,16,24
A	WO 93/24234 A2 (BAXTER DIAGNOSTICS INC [US]) 9 December 1993 (1993-12-09) pages 7-8,12 page 16 claims; figures	1,16,24
A	US 4 056 359 A (JANIN PIERRE R) 1 November 1977 (1977-11-01) column 2 - column 4 claim; figure	1,16,24
A	US 2007/077615 A1 (GILLIS JOHN R [US]) 5 April 2007 (2007-04-05) paragraphs [0005], [0006], [0010] claims; figures	1,16,24

# INTERNATIONAL SEARCH REPORT

Information on patent family members

International application No PCT/US2009/030600
---

Patent document cited in search report	Publication date	Patent family member(s)	Publication date
WO 9415219	A1	07-07-1994	AT 157460 T 15-09-1997
			AU 5873294 A 19-07-1994
			CA 2152353 A1 07-07-1994
			DE 69313463 D1 02-10-1997
			DE 69313463 T2 05-02-1998
			DK 676053 T3 29-09-1997
			EP 0676053 A1 11-10-1995
			ES 2106504 T3 01-11-1997
			US 5614415 A 25-03-1997
			US 5985670 A 16-11-1999
US 5998202	A	07-12-1999	NONE
US 5612188	A	18-03-1997	NONE
US 2006263258	A1	23-11-2006	WO 2006086547 A2 17-08-2006
FR 2600166	A1	18-12-1987	US 4805469 A 21-02-1989
DE 3934890	A1	26-04-1990	US 5087423 A 11-02-1992
EP 1548099	A1	29-06-2005	AU 2003254789 A1 16-02-2004
			CA 2493477 A1 05-02-2004
			WO 2004011593 A1 05-02-2004
			US 2005170491 A1 04-08-2005
WO 9324234	A2	09-12-1993	AU 662065 B2 17-08-1995
			AU 4402493 A 30-12-1993
			CA 2113550 A1 09-12-1993
			EP 0596102 A1 11-05-1994
			JP H06509720 A 02-11-1994
US 4056359	A	01-11-1977	NONE
US 2007077615	A1	05-04-2007	NONE