



(12) **United States Design Patent**
Briden

(10) **Patent No.:** **US D915,100 S**
(45) **Date of Patent:** **** Apr. 6, 2021**

- (54) **SPOOLED ITEM HOLDING DEVICE**
- (71) Applicant: **Patricia Grayson Briden**, Virginia Beach, VA (US)
- (72) Inventor: **Patricia Grayson Briden**, Virginia Beach, VA (US)
- (73) Assignee: **Ocean 22, LLC**, Virginia Beach, VA (US)
- (**) Term: **15 Years**
- (21) Appl. No.: **29/714,381**
- (22) Filed: **Nov. 22, 2019**

4,239,163	A	12/1980	Christian	
D274,122	S	6/1984	Stahel	
D284,259	S	6/1986	Oury	
4,711,406	A	12/1987	Barstow	
D296,963	S	8/1988	Smallwood	
D299,333	S	* 1/1989	Coue	D12/179
4,895,044	A	1/1990	Ekins	
D308,781	S	6/1990	Mintz	
D320,125	S	9/1991	Hacker	
D320,922	S	10/1991	Lurkis	
D322,022	S	12/1991	Cunningham	
D324,478	S	3/1992	Baer	
D324,634	S	3/1992	Chen	
D332,385	S	1/1993	Adams	

(Continued)

Related U.S. Application Data

- (60) Continuation-in-part of application No. 29/619,785, filed on Oct. 2, 2017, now Pat. No. Des. 878,079, which is a division of application No. 29/559,762, filed on Mar. 31, 2016, now Pat. No. Des. 801,721.
- (51) **LOC (13) Cl.** **23-02**
- (52) **U.S. Cl.**
USPC **D6/523**
- (58) **Field of Classification Search**
USPC D6/518-523; 206/389, 391; 211/13.1, 211/59.1, 45, 89.01; 242/570, 590, 597.7, 242/599.1, 599.3; 248/309.1, 309.2
CPC A47K 2010/3266; A47K 10/32; A47K 10/426; A47K 10/22; A47K 10/00
See application file for complete search history.

References Cited

U.S. PATENT DOCUMENTS

2,699,903	A	1/1955	Montgomery	
3,002,704	A	10/1961	Grossfeld	
3,378,985	A	* 4/1968	Bugan	E04C 5/03 52/852
3,907,232	A	9/1975	Odermatt	
D246,758	S	12/1977	Ukai	

OTHER PUBLICATIONS

www.controlnroll.com, Website; Accessed Dec. 15, 2015.

Primary Examiner — Nathan M Johnston
(74) *Attorney, Agent, or Firm* — ePatentManager; Guerry Grune

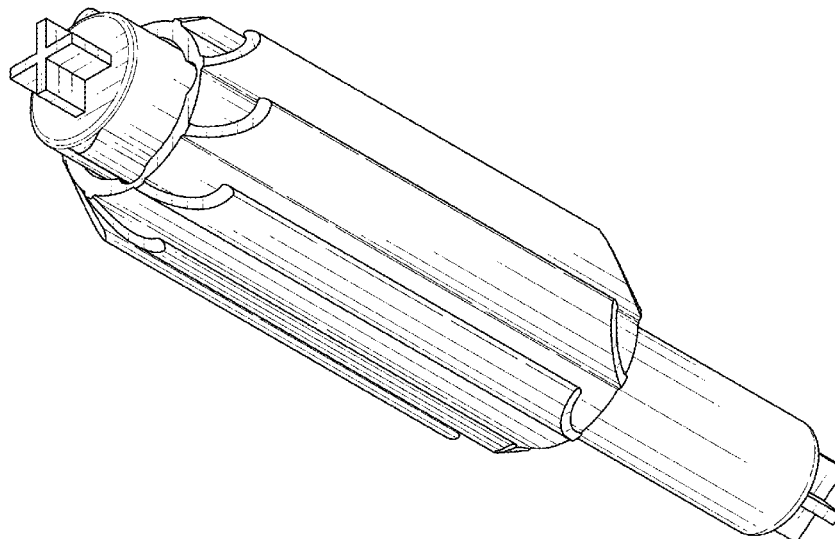
(57) **CLAIM**

The ornamental design for a spooled item holding device, as shown and described.

DESCRIPTION

FIG. 1 is a top perspective view of the spooled item holding device showing my new design;
 FIG. 2 is a front elevation view thereof;
 FIG. 3 is a back elevation view thereof;
 FIG. 4 is a right end elevational view thereof;
 FIG. 5 is a left end elevational view thereof;
 FIG. 6 is a front elevation view of an embodiment of the slip-resistant spooled item holding device of FIG. 1; and,
 FIG. 7 is an exploded top perspective view of the spooled item holding device of FIG. 1.
 The sides not explicitly shown in the drawings are a mirror image of the sides visible in the drawings.

1 Claim, 5 Drawing Sheets



US D915,100 S

(56)

References Cited

U.S. PATENT DOCUMENTS

D336,958	S	6/1993	Koros	D554,465	S	11/2007	Laurienzo
D338,825	S	8/1993	Brainard	7,364,112	B1	4/2008	Formon
5,273,227	A	12/1993	Smith, Jr.	7,416,153	B1	4/2008	Dervin
D344,185	S	2/1994	Vela	D596,476	S	7/2009	Welch
D345,685	S	4/1994	Lin	D603,693	S	11/2009	Bentrim
D352,441	S	11/1994	Oury	D611,784	S	3/2010	Girard
D352,442	S	11/1994	Lee-Chang	D615,605	S	5/2010	Frasco
D352,443	S	11/1994	Chen	D621,680	S	8/2010	Hsu
D352,800	S	11/1994	Leung	D622,920	S	* 8/2010	Bejtlich, III D32/40
D391,478	S	3/1998	D'Arrigo	D626,816	S	11/2010	Claxton
D391,824	S	3/1998	Larson	D629,666	S	* 12/2010	Lai D8/83
5,727,751	A	* 3/1998	Liu A47K 10/40	D633,035	S	2/2011	Heine
			242/599.1	7,980,507	B2	7/2011	Patrick
5,758,843	A	* 6/1998	Ongaro A47K 10/3836	D647,214	S	10/2011	Seehof
			242/563.2	D648,204	S	11/2011	Parvey
D404,282	S	1/1999	Hsu	D649,862	S	12/2011	Arvinte
D405,342	S	2/1999	Thompson	D675,703	S	2/2013	Buie, II
D411,432	S	6/1999	Stahel	8,415,357	B2	4/2013	Kawabe et al.
5,983,747	A	11/1999	Chen	D684,776	S	6/2013	Wang
6,035,742	A	3/2000	Hollingsworth	D697,782	S	1/2014	Lee
D429,990	S	8/2000	Kunkler	D698,219	S	1/2014	Lee
D448,646	S	10/2001	Sargentelli	D718,441	S	11/2014	Carus
D453,292	S	2/2002	Tsuzuki	D723,349	S	* 3/2015	Henderson D8/107
6,367,734	B1	* 4/2002	Cartwright A47K 10/40	D731,202	S	6/2015	Newson
			242/598.1	D854,907	S	* 7/2019	Jeffries D8/303
6,398,151	B1	6/2002	Tam	D854,908	S	* 7/2019	Jeffries D8/303
D461,390	S	8/2002	Livingston	2005/0098465	A1	* 5/2005	Wolf A6IL 9/12
6,490,761	B2	* 12/2002	Durrant B25B 23/0021				206/410
			16/110.1	2005/0247817	A1	11/2005	Holden
6,561,058	B1	5/2003	Steinke	2009/0057169	A1	3/2009	Kruchoski et al.
D475,953	S	6/2003	Salwasser	2009/0179105	A1	7/2009	Owen
6,628,789	B1	9/2003	Colby	2010/0084503	A1	4/2010	Burgess
D512,894	S	12/2005	Nimphius	2013/0240462	A1	9/2013	Lohnert
7,044,020	B2	5/2006	Rosenthal	2013/0306822	A1	11/2013	Margetts
D532,275	S	11/2006	Lin	2014/0231373	A1	8/2014	Mellin
D533,813	S	12/2006	Fujiwara	2015/0090835	A1	4/2015	Toussaint
D542,119	S	5/2007	Ricereto	2015/0217932	A1	* 8/2015	Carmen B65D 33/002
D546,659	S	7/2007	Smith				206/389
				2015/0251834	A1	9/2015	Doering
				2015/0305537	A1	10/2015	Zich
				2017/0059104	A1	3/2017	Suggs

* cited by examiner

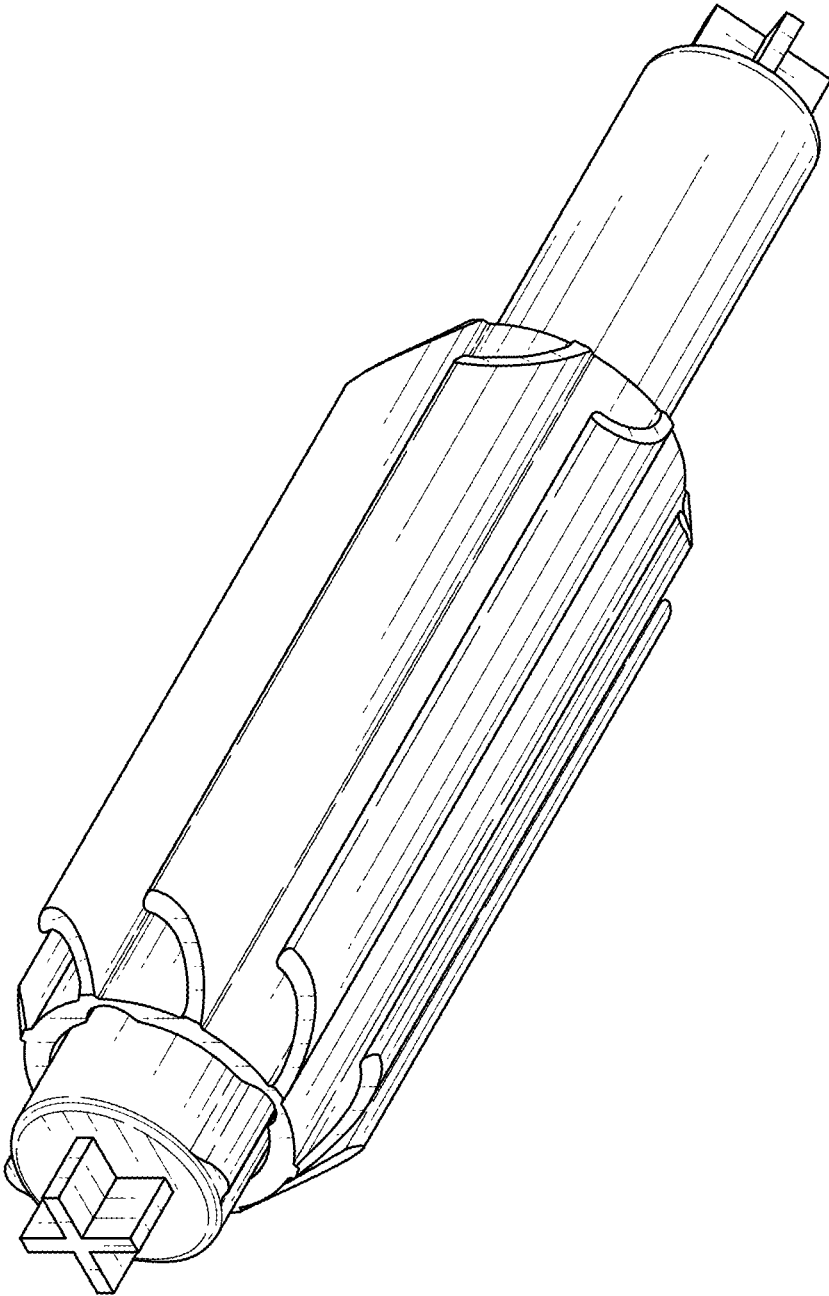


FIG. 1

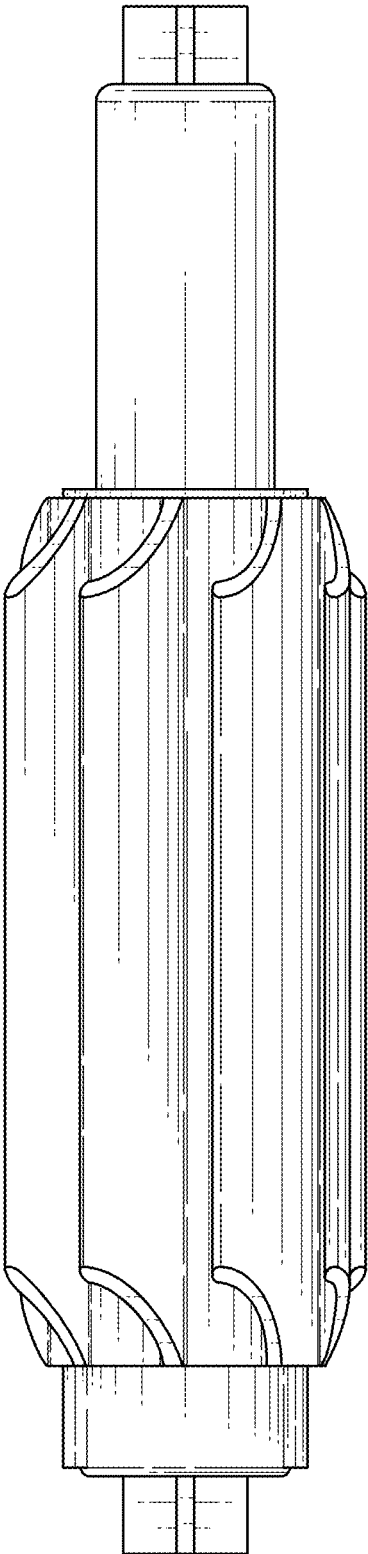


FIG. 2

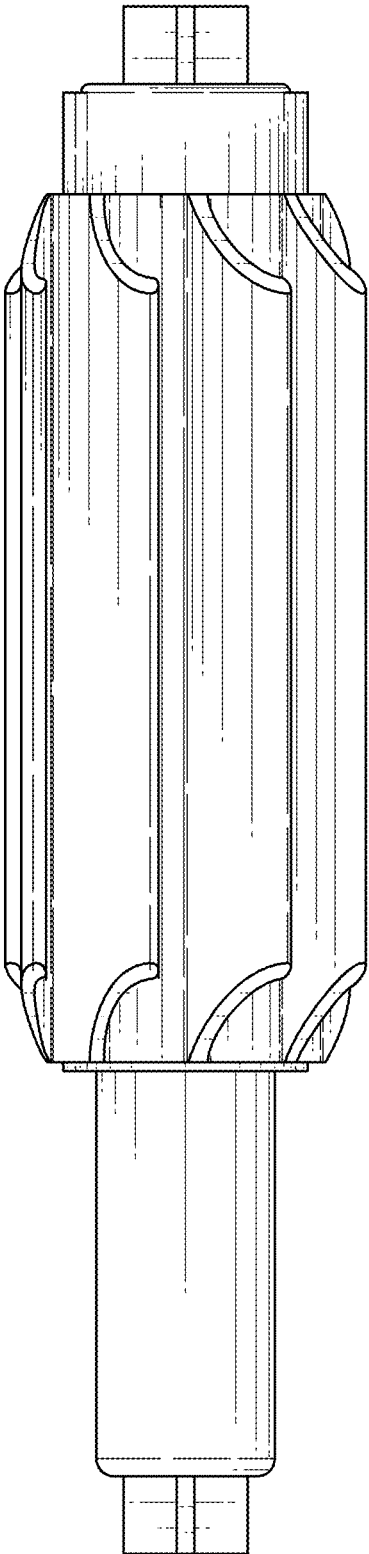


FIG. 3

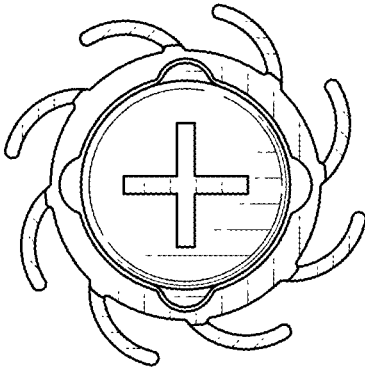


FIG. 4

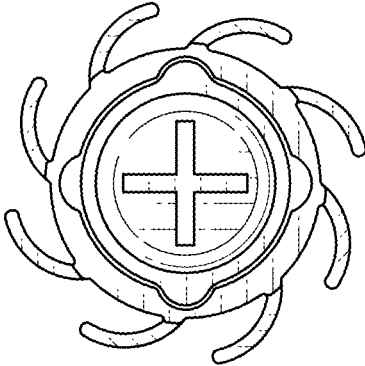


FIG. 5

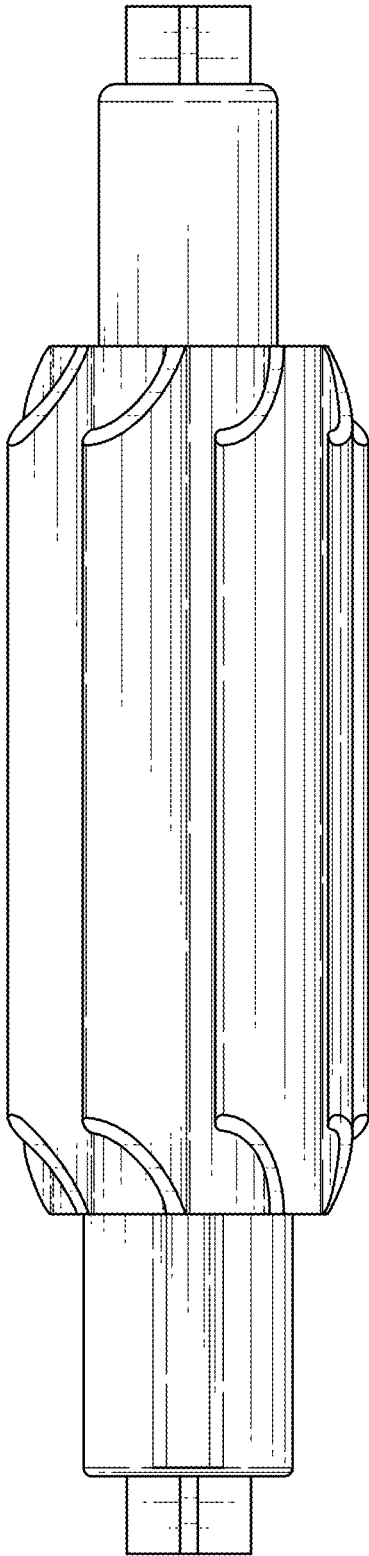


FIG. 6

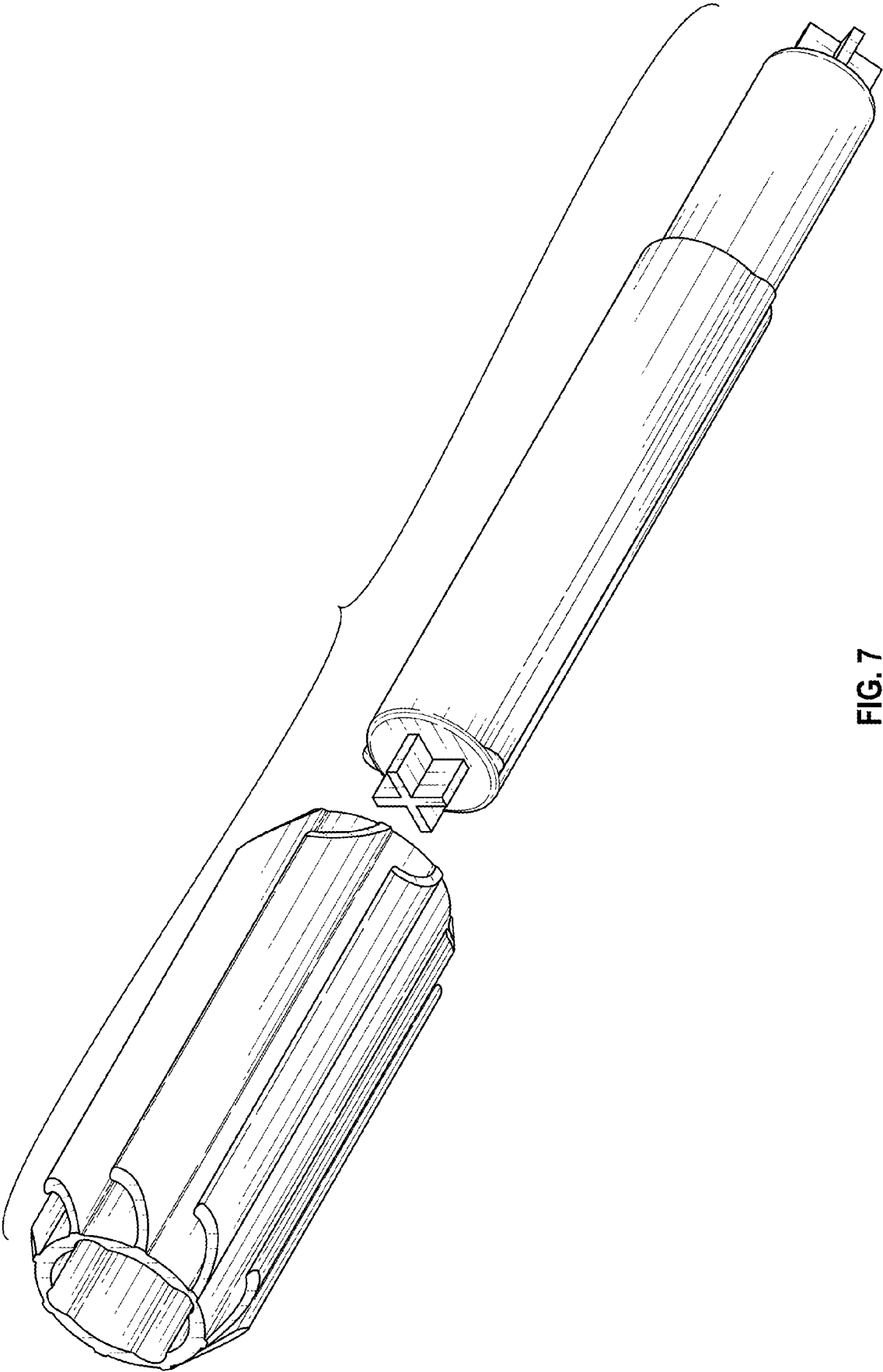


FIG. 7