

(19) World Intellectual Property
Organization
International Bureau



(43) International Publication Date
6 May 2004 (06.05.2004)

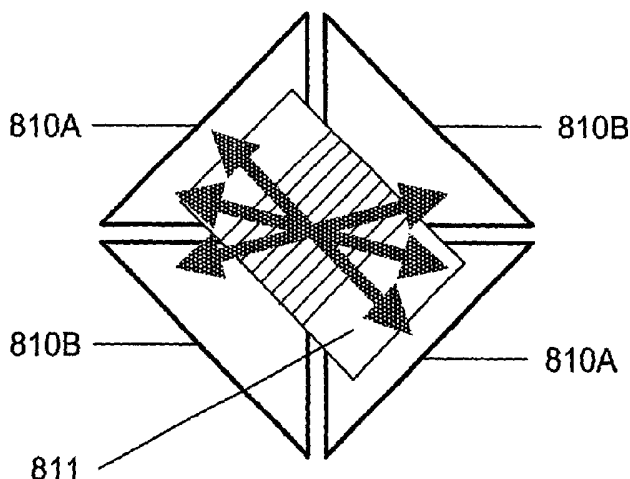
PCT

(10) International Publication Number
WO 2004/038888 A2

- (51) International Patent Classification⁷: **H02J 5/00**
- (21) International Application Number: PCT/GB2003/004654
- (22) International Filing Date: 28 October 2003 (28.10.2003)
- (25) Filing Language: English
- (26) Publication Language: English
- (30) Priority Data:
0225013.2 28 October 2002 (28.10.2002) GB
- (71) Applicant (for all designated States except US): **SPLASH-POWER LIMITED** [GB/GB]; St. John's Innovation Centre, Cowley Road, Cambridge CB4 0WS (GB).
- (72) Inventors; and
- (75) Inventors/Applicants (for US only): **CHENG, Lily, Ka, Lai** [CA/GB]; 53 College Fields, Woodhead Drive, Cambridge CB4 1YZ (GB). **HAY, James, Westwood** [GB/GB]; 10 Watermead, Bar Hill, Cambridge CB3 8TJ (GB). **BEART, Pilgrim, Giles, William** [GB/GB]; 35 Royston Road, Harston, Cambridge CB2 5NH (GB).
- (74) Agent: **HASELTINE LAKE**; Imperial House, 15-19 Kingsway, London WC2B 6UD (GB).
- (81) Designated States (national): AE, AG, AL, AM, AT, AU, AZ, BA, BB, BG, BR, BY, BZ, CA, CH, CN, CO, CR, CU, CZ, DE, DK, DM, DZ, EC, EE, EG, ES, FI, GB, GD, GE, GH, GM, HR, HU, ID, IL, IN, IS, JP, KE, KG, KP, KR, KZ, LC, LK, LR, LS, LT, LU, LV, MA, MD, MG, MK, MN, MW, MX, MZ, NI, NO, NZ, OM, PG, PH, PL, PT, RO, RU, SC, SD, SE, SG, SK, SL, SY, TJ, TM, TN, TR, TT, TZ, UA, UG, US, UZ, VC, VN, YU, ZA, ZM, ZW.
- (84) Designated States (regional): ARIPO patent (GH, GM, KE, LS, MW, MZ, SD, SL, SZ, TZ, UG, ZM, ZW), Eurasian patent (AM, AZ, BY, KG, KZ, MD, RU, TJ, TM), European patent (AT, BE, BG, CH, CY, CZ, DE, DK, EE, ES, FI, FR, GB, GR, HU, IE, IT, LU, MC, NL, PT, RO, SE, SI, SK, TR), OAPI patent (BF, BJ, CF, CG, CI, CM, GA, GN, GQ, GW, ML, MR, NE, SN, TD, TG).
- Declaration under Rule 4.17:**
— of inventorship (Rule 4.17(iv)) for US only

[Continued on next page]

(54) Title: IMPROVEMENTS RELATING TO CONTACT-LESS POWER TRANSFER



(57) Abstract: A unit (701) for transferring power in an inductive manner to at least one power-receiving device, and a system comprising such a unit and such a device. The unit (701) includes at least one coil structure (702, 703, 704) configured to allow various degrees of translational and rotational freedom of movement of the power-receiving device relative thereto. This provides increased ease of use, since it is not necessary for a user to place the power-receiving device in mechanical or other registration with the unit (701).

WO 2004/038888 A2



Published:

— *without international search report and to be republished upon receipt of that report*

For two-letter codes and other abbreviations, refer to the "Guidance Notes on Codes and Abbreviations" appearing at the beginning of each regular issue of the PCT Gazette.

IMPROVEMENTS RELATING TO CONTACT-LESS POWER TRANSFER

This invention relates to a new device for transferring power in a contact-less fashion, for example electromagnetic induction.

5

Today's inductively-chargeable portable devices, for example the Braun Oral B Plak Control power toothbrush, must typically be precisely aligned with their charger in order to charge them. This precision is necessary so that the coil in the device is correctly aligned with the coil in the charger – the coils being, in effect, the two
10 halves of a conventional power transformer.

Some examples of typical prior art are shown in Figure 1. In Figure 1a, the primary coil of the charger is aligned with the secondary coil of the device. In Figure 1b, a horseshoe electromagnet on the charger is aligned with a similar electromagnet on
15 the device. Figure 1c operates in a very similar way to Figure 1b: the field is created by two coils operating in antiphase (with the lower return circuit being an air gap), and the secondary coil is a flat wound coil. Prior art such as US4873677 works in such a fashion. Note in all cases the precise alignment that is required in order to achieve good coupling between the primary and secondary coils.

20

Referring now to Figure 2 which explains some terminology used in the present application: Figure 2a shows some charger 201 with a surface 203, the charger 201 emitting a field, and some device 202 charging from the charger 201 (and appreciating that in this figure the shapes of both are irrelevant). Figure 2b shows
25 that the device 202 may move about on (“be translated relative to”) the surface 203 of the charger 201 in two directions, depicted X and Y, which are at right angles to one another. The device 202 may also move nearer to and further from the charger 201 in direction Z, but as this will eventually take it out of the charging field, and this is therefore not considered here.

30

Figure 2c shows that in addition to the above translations, the device 202 may rotate around the X axis (rX), the Y axis (rY) and the Z axis (rZ). In the present application,

only rotations about rZ, and not those around rX or rY, shall be considered. Each of these six translations and rotations is independent from (also known as “orthogonal to”) the others, and is known as a “degree of freedom”.

- 5 Figure 2d shows an alternative translation co-ordinate system. Instead of orthogonal (X,Y) movement, the position of the device 202 is determined by the radius (r) and the angle (θ) from some centre point. Even though θ involves rotation, it is still a translational degree of freedom, since the device 202 itself need not rotate about its own axis.

10

For maximum user convenience a system should allow up to five degrees of freedom - translation in the Z axis not being of practical use - so that a device 202 can be placed without regard to its position or orientation on the charger 201.

- 15 But today’s toothbrush chargers and the like are typically much more constrained. Systems employing the transformer configuration shown in Figure 1a offer one degree of freedom (rotation in the plane of the coils), and those shown in Figure 1b and Figure 1c offer zero degrees of freedom, since if the device is to continue to receive adequate power it cannot be either rotated nor translated relative to the
20 charger. Having zero - or only a few - degrees of freedom requires precise alignment which may be inconvenient to the user because it requires a degree of care and manual dexterity in placing the device 202 on the charger 201.

- In addition, systems lacking the translational (X and Y) degrees of freedom cannot
25 charge multiple devices simultaneously, because of course not more than one device can occupy the required (X,Y) position at once.

- In addition, such systems requiring precise primary:secondary alignment are also not
30 a universal inductive charging solution – one able to charge devices with very different power requirements – because the different coil sizes mandated by the power needs of different types of devices will not be a good match for any single size of charger coil – see Figure 3.

Various means of increasing the number of degrees of freedom have been proposed.

One simple method is to have a large coil in the charger, emitting a large field,
5 allowing the device to pick-up sufficient power even if it is not perfectly aligned.
Figure 4, for example, shows such a charger coil 401 and device coil 402. This is the
method adopted by various RFID devices. However the coupling between the coils
401 and 402 will be poor and highly variable dependent on position, so this solution
is inefficient and limits the power that can be transferred while still complying with
10 emission legislation. Therefore this solution is far from ideal in charging
applications, where efficiency is typically an important criterion.

A solution which improves upon the efficiency of such "large coil" systems, while
still offering several degrees of freedom, is to use multiple coils in the charger,
15 enabled as appropriate, ensuring that there is always a reasonable match between
nearby charger coils and the device coil. See Figure 5, showing multiple charger
coils 501 and single device coil 502. Prior art includes:

- A system is described in the Journal of the Magnetics Society of Japan titled
"Coil Shape in a Desk-type Contactless Power Station System" (29th Nov
20 2001)

An alternative solution is the present applicant's UK patent application number
0210886.8 of 13 May 2002, which discloses a system generating a horizontal field
across the surface of the charger, in contrast to conventional solutions which generate
25 a vertical field out of the surface of the charger. A copy of equivalent International
patent application no PCT/GB2003/002030 is being filed with the present application
so as to form part of the file thereof, and the full contents of PCT/GB2003/002030
are hereby incorporated into the present application by reference. This offers the
same two translational degrees of freedom (X and Y) as the above multiple-coil
30 approach, but with better field uniformity and therefore worst-case efficiency.
Optionally, the horizontal field may be rotated in the plane of the charger, offering an
additional one degree of rotational freedom (τZ). See Figure 6 which shows a laminar

charger 601 generating a magnetic field in the plane of the charger 602 and a device 610 capable of receiving power from such a field when it is in a certain alignment 611. If the field generated by the charger is made to rotate, as shown, then there is no requirement to align the device in any particular orientation.

5

According to a first aspect of the present invention, there is provided a unit for transferring power in an inductive manner to at least one power-receiving device, the unit being provided with at least one electrical coil, and the power-receiving device being capable of receiving power when placed in more than one position or rotation
10 on the unit.

The unit may include a pad in which the coils are disposed, the pad serving as a surface upon which power-receiving devices may be placed in order to effect power transfer. The unit may incorporate a power supply or be connectable to a power
15 supply. The pad is preferably a laminar pad, i.e. has a configuration of a lamina. In other words, the pad is preferably generally flat, and may be substantially planar, it being understood that the pad may take a curved form or be made conformal to a curved surface such as the inside of a glove compartment in an automobile. This may apply also to the further aspects of the invention set out hereinbelow.

20

According to a second aspect of the present invention, there is provided a unit for transferring power in an inductive manner to at least one power-receiving device, the unit being provided with a plurality of electrical coils, the electrical coils not all being of the same shape.

25

The coils may be simple conductive loops, or may comprise a more complex arrangement of conductors. Where a more complex arrangement of conductors is provided, for example as disclosed in the present applicant's co-pending UK patent applications numbers 0210886.8 of 13th May 2002 and 0213024.3 of 7th June 2002
30 (the full disclosures of which are hereby incorporated into the present application by reference), the term "coil" in the context of the present application is intended to denote each separate arrangement of conductors that defines a given charging region

or active area on the primary unit and on which a secondary device is placed in order to effect charging.

5 The plurality of electrical coils preferably in this aspect may also not all be of the same size and/or not all enclose the same dimensional area.

According to a third aspect of the present invention, there is provided a unit for transferring power in an inductive manner to at least one power-receiving device, the unit being provided with a plurality of electrical coils, the electrical coils not all
10 being of the same size and/or not all enclosing the same dimensional area.

In some embodiments, all the coils may be of mutually different shapes and/or sizes and/or dimensional areas. In other embodiments, two or more of the plurality of coils may have the same shape and/or size and/or dimensional area, with the
15 remaining coils having one or more different shapes and/or sizes and/or dimensional areas, or all having the same different shape and/or size and/or dimensional area.

The coils may be spatially separated from each other such that no coil is enclosed in or overlaps with any other coil. Alternatively, one or more smaller coils may be
20 contained within a boundary of one or more larger coils. Where one or more smaller coils are contained within a boundary of a larger coil, the coils may be substantially concentric, or may have some other arrangement. For example, a plurality of smaller coils may be contained within a boundary of a larger coil in such a way that the smaller coils are not contained within each other or overlap with each other. Some
25 smaller coils may be nested within each other within the boundary of a larger coil, with some other smaller coils not being nested within each other within the same outer boundary.

The coils may take various shapes, including circular, elliptical, generally ovate,
30 triangular, rectangular, parallelogram, trapezoidal, star-shaped, regular polygonal, irregular polygonal or amorphous.

According to a fourth aspect of the present invention, there is provided a unit for transferring power in an inductive manner to at least one power-receiving device, the unit being provided with at least one plurality of nested electrical coils and also with means for selectively activating one or more of the nested electrical coils so as to be
5 adaptable to provide efficient power transfer to power-receiving devices of different sizes and/or power requirements and/or positions/rotations.

The means for selectively activating one or more of the nested coils may be adapted automatically to sense an appropriate size and/or power requirement and/or
10 position/rotation determinant of the power-receiving unit (for example, a size or sizes of secondary power-receiving coils in the power-receiving device).

The nested coils may be substantially circular, or may take any other appropriate shape as outlined above.

15

In a particularly preferred embodiment, there are provided four nested sets of electrical coils, each having a substantially right-angled triangular shape, and arranged such that the right-angles of the four sets of coils all point towards a single origin point such that the four sets of nested coils have an overall substantially square
20 or rectangular configuration. Preferably, adjacent sets of coils are driven in antiphase so as to cause rotation of a resultant electromagnetic field about the origin point, thereby providing a degree of rotational freedom in the positioning of a power-receiving device on the pad.

25 According to a fifth aspect of the present invention, there is provided a unit for transferring power in an inductive manner to at least one power-receiving device, the unit being provided with an even number of electrical coils each having corner portion, the coils being arranged such that the corner portions all point towards an origin point, and wherein, in operation, adjacent coils are driven in antiphase so as to
30 cause rotation of a resulting electromagnetic field about the origin point.

There is preferably provided four coils, which may each have a substantially right-angled triangle shape, a quarter circular shape or any other appropriate shape. Where more than four coils are provided, they may each have a generally triangular shape or take the shape of a sector of a circle.

5

Any of the first to fourth aspects of the present invention may be combined with at least one power-receiving unit so as to form a system for contact-less power transfer.

According to a sixth aspect of the present invention, there is provided a system for contact-less power transfer, the system comprising a power-transmitting unit provided with a primary coil and at least one power-receiving device incorporating a secondary coil, wherein the primary coil is generally elongate along an x-axis with respect to an orthogonal y-axis, and wherein the secondary coil is sized so as to be sufficiently similar in size to the primary coil with respect to the y-axis so as to provide efficient power transfer, but smaller in size with respect to the x-axis so as to provide a translational degree of freedom of movement along the x-axis.

10
15

In this way, several power-receiving devices may be simultaneously provided with power by the primary coil by placing the devices adjacent each other along the x-axis.

20

The primary coil may be generally rectangular, or any other appropriate shape, including elliptical or generally ovate. The secondary coil preferably has a corresponding rectangular (possibly square) or elliptical or ovate or other configuration, subject to the constraints that the extent of the primary coil along the y-axis is substantially similar to that of the secondary coil along the y-axis, and that the extent of the primary coil along the x-axis is greater than that of the secondary coil along the x-axis. Preferably, the extent of the primary coil along the x-axis is at least twice, advantageously at least three or four times, that of the secondary coil along the x-axis.

25
30

According to a seventh aspect of the present invention, there is provided a system for contact-less power transfer, the system comprising a power-transmitting unit provided with at least one primary coil having a boundary portion and at least one power-receiving device incorporating a secondary coil, wherein power transfer takes place by way of coupling of near-field flux flowing about the boundary portion of the at least one primary coil with windings of the secondary coil.

There may be provided just a single primary coil of appropriate configuration, or a plurality of adjacent primary coils which will enable a plurality of power-receiving devices to receive power simultaneously.

The at least one primary coil may be generally rectangular in shape, in which case there is one linear degree of freedom of movement of the secondary coil.

Alternatively, the at least one primary coil may be substantially circular or elliptical or the like, in which case a rotational degree of freedom of movement is provided.

According to an eighth aspect of the present invention, there is provided a system for contact-less power transfer, the system comprising a power-transmitting unit provided with first and second substantially concentric primary coils, the first being larger than the second, and at least one power-receiving device incorporating at least one secondary coil dimensioned so as to correspond to a distance between the first and second primary coils, wherein power transfer takes place by way of coupling of near-field flux flowing about the boundaries of the first and second primary coils with generally opposed edges of the secondary coil.

The first and second primary coils in this aspect are supplied with currents flowing in opposite directions. The coils may be generally circular, or may take any other appropriate shape as hereinbefore described.

30

Summarising the above, the table below lists the desirable characteristics of any inductive charging system, and illustrates how those of the present invention compare with prior art:

	Today's chargers	Present invention	UK 0210886.8
Simple <i>(therefore cheap to make)</i>	Y	Y	Y
Efficient and uniform field <i>(high-power within regulations)</i>	Y	Y	Y
Simultaneous <i>(more than one device at a time)</i>	N	Y	Y
Universal <i>(many types of devices)</i>	N	Y	Y
Degrees of freedom <i>(convenience)</i>	0 or 1 (rZ)	0..2 of (X,Y,rZ)	2 (X,Y) 3 (X,Y, rZ)

- 5 Embodiments of the present invention may therefore provide greater simplicity (and thus reduced cost) by offering a number of degrees of freedom which is less than that of GB 0210886.8, but greater than that of today's "toothbrush" chargers, while still preserving many of the benefits of GB 0210886.8 (Simplicity, Efficiency, Simultaneity and Universality).

10

Additionally, this may optionally be achieved while still retaining forward compatibility with devices and chargers of the type described in GB 0210886.8.

15 There shall now be described various embodiments of the present invention that fit into the following three categories:

1. No degrees of freedom – the charger has different positions for different types of device (Figure 7)
2. Only the rZ rotational degree of freedom, so the device has to be placed in the correct position on the charger. The charger has a single location with an effective coil size that alters with device needs (Figure 8 and Figure 9)

20

3. Only one translational degree of freedom (Figure 10), either:

- a. Linear translational
- b. Circular translational, and rotational

5 Addressing each of these categories in turn:

1. No degrees of freedom

10 Figures 7a,7b,7c show three different types of charger configuration 701 which each have several sizes or shapes of coil 702,703,704. Each coil could be, for example, a multiply-wound coil of a type similar to that in Figure 1a. The coils may all be driven simultaneously, or only when a device is sensed.

15 The location and/or rotation and/or type of each coil is made clear by some indicator, allowing the user to place their device onto the coil which best couples to it, and in the correct orientation if such is necessary.

20 In Figure 7a, the coils are spatially separate (allowing multiple devices to be charged simultaneously), in Figure 7b they are concentric, and in Figure 7c they are a mixture of the two.

The coils can of course be of any shape to suit the device, and some examples are shown in Figure 7d.

2. Only the one rZ rotational degree of freedom

25 Figures 1a and 8a show a prior art system with a single rotational degree of freedom – a coil on the primary 800 couples to a corresponding coil on the device 801 in the manner of a simple transformer.

30 Figure 8b shows an alternative method of achieving the same rotational degree of freedom for a device 811 which expects a field in the manner of Figure 1c. An antiphase field is driven into sets of coils 810A and 810B such that the field rotates from being aligned in the 810A axis to being aligned in the 810B axis and back to

810A. Thus over time the device receives a significant amount of power no matter what its orientation.

Figure 9 extends these two means of generating a rotational degree of freedom by adding universality. A charger 901 consists of a number of such coils, arranged concentrically, each of which can be driven independently. The charger behaves differently depending on which type of device is present 902.

- In Figure 9a no device is present, and so no charger coils are driven.
- In Figure 9b a physically small device with correspondingly small power requirements is present, and so only a few of the inner coils are driven.
- In Figure 9c a physically large device with correspondingly large power requirements is present, and so many of the coils are driven.

Figures 9d,9e,9f show a charger with a coil configuration 903 of the type shown in Figure 8b, but again arranged concentrically as above, with similar benefits.

3a. One linear translational degree of freedom

Figure 10 shows various configurations in which the primary charger coil is larger than the secondary device coil, but constrained in its dimensions such that it offers a reasonably efficiency with a single translational degree of freedom in the X axis, and therefore the option of simultaneous charging of multiple devices.

In Figure 10a a rectangular charger coil 1001 drives a smaller device coil 1002 by generating a field in the Z axis. By being similar in size to the device coil in the Y dimension, reasonable efficiency is obtained. By being significantly larger than the device coil in the X dimension, one degree of translational freedom is achieved.

Of course the coils could be any type of shape (for example ellipsoidal) rather than rectangular as shown – an important point is the aspect ratio.

30

Figures 10b and 10c achieve a similar result for devices of the Figure 1c type, 1003. In Figure 10b, a charger coil identical to Figure 10a is used. In Figure 10a it was be

considered to be generating a net flux out from the centre of the coil in the Z dimension, but it can equally be viewed “up close” to the edge of the coil as generating a flux which is rotating around the wire(s), as shown in Figure 10b. Therefore if a device of Figure 1c is placed across any edge of the coil, it will receive
5 the flux.

In Figure 10c a second coil is placed below the first 1004. If placed along the boundary between the two, as shown, the device coil will receive power from each coil. Of course this concept can be extended indefinitely in the Y dimension, as
10 shown with a dotted line, to produce any number of lines along which a device may receive power.

3b. One circular translational degree of freedom

Figure 11a shows a large coil 1101 with a small coil 1102 inside it. The coils carry
15 current in opposite directions, and so will generate a net flux flowing in the Z axis (out of the page). If a device with a coil 1103 is placed anywhere within the annulus formed between the coils, it will receive this flux with reasonable efficiency. Thus the device has a circular translational degree of freedom, and multiple devices can be placed on the charger.

20

Figure 11b shows a similar scheme working with a device of Figure 1c type. The device straddles the outer coil 1101 to couple with it. This could be seen as a variant of Figure 10b.

25 It will be appreciated that the coils do not have to be circular.

In each of the above cases, the charger may sense if any device is present on any particular coil, and if so what its power needs are. Possible means for doing this include but are not limited to:

- 30
- Sensing the resonance (“Q”) or other characteristics of the driven coils
 - Communication by modulation of data signals onto the magnetic field (e.g. “back-scatter”, as used by RFID devices).

In all embodiments of this present application, the user has limited degrees of freedom when placing devices. Therefore it may be advantageous to indicate these constraints to the user.

5

Such indications may be done in a variety of ways, for example:

- For chargers with placement restrictions, indicating the correct device position by means of:
 - Outlining of the coil area
 - 10 ○ Filling, or patterning, the active coil area.
- For chargers with rotational restrictions, indicating the correct device rotation by means of:
 - A line or arrow, or set of such.

15 The indications may be rendered in any number of media, for example:

- Printing ink, perhaps of a particular colour
- Raising or lowering the charger surface.
- Overall shape of the charger, or part of it.

20 The device may include corresponding indications.

Some examples of possible indications are shown in Figure 12, which:

- Figure 12a shows a printed or raised outline of two devices, for chargers which have no degrees of freedom.
- 25 • Figure 12b shows a printed or raised arrow on both the charger and the device, for chargers with 2 translational but not rotational degrees of freedom.
- Figure 12c shows similar to 12b, but with striped indication instead of arrows.
- Figure 12d shows a “target” of concentric circles on both charger and device,
30 for chargers with only a rotational degree of freedom.
- Figure 12e shows a charger with one circular translational degree of freedom, designed such that the active area of the charger is obvious from its form.

Prior art such as US5952814 [Philips phone charger with interlock] describes how the casing of charger may be made to match the internal shape of the charger thus allowing for accurate alignment of the primary and secondary coils.

5

It will be appreciated that in the case of a device coil designed to receive power by picking-up flux travelling substantially in the plane of the charger, as opposed to orthogonal to it, numerous possible designs of core are possible, for example but not limited to:

- 10
- a rod of permeable material with wire coiled around it (Figure 13a) or
 - a flat piece of permeable material with a wire coiled flat around it (Figure 13b), as in Figure 1c.

15 It will also be appreciated that in any of the above, the precise shape of any coils in the device and/or charger will have an effect on the efficiency and other characteristics. For example, replacing any square coil with a circular coil may reduce efficiency somewhat, but, thanks to the rotational symmetry of a circle, allows the device to have a rotational degree of freedom.

20 The preferred features of the invention are applicable to all aspects of the invention and may be used in any possible combination.

25 Throughout the description and claims of this specification, the words "comprise" and "contain" and variations of the words, for example "comprising" and "comprises", mean "including but not limited to", and are not intended to (and do not) exclude other components, integers, moieties, additives or steps.

CLAIMS:

1. A unit for transferring power in an inductive manner to at least one power-receiving device, the unit being provided with a plurality of electrical coils, the
5 electrical coils not all being of the same shape.
2. A unit as claimed in claim 1, wherein the electrical coils are not all of the same size and/or do not all enclose the same dimensional area.
- 10 3. A unit for transferring power in an inductive manner to at least one power-receiving device, the unit being provided with a plurality of electrical coils, the electrical coils not all being of the same size and/or not all enclosing the same dimensional area.
- 15 4. A unit as claimed in claim 3, wherein the electrical coils are not all of the same shape.
5. A unit as claimed in any preceding claim, wherein at least one of the electrical coils comprises a simple conductive loop.
20
6. A unit as claimed in any preceding claim, wherein at least one of the electrical coils comprises a complex arrangement of conductors defining a charging region on which a power-receiving device may be placed.
- 25 7. A unit as claimed in any preceding claim, wherein all of the electrical coils have mutually different shapes and/or sizes and/or enclose mutually different dimensional areas.
- 30 8. A unit as claimed in any one of claims 1 to 6, wherein two or more of the electrical coils have the same size and/or shape and/or enclose the same dimensional area.

9. A unit as claimed in claim 8, wherein one or more of the remaining coils have one or more different shapes and/or sizes and/or enclose different dimensional areas than the said two or more of the electrical coils.
- 5 10. A unit as claimed in any preceding claim, wherein the electrical coils are spatially separated from each other such that no coil is enclosed within or overlaps any other coil.
11. A unit as claimed in any one of claims 1 to 9, wherein one or more smaller
10 coils are contained within a boundary of one or more larger coils.
12. A unit as claimed in any one of claims 1 to 9 and 11, wherein one or more coils overlap with one or more other coils.
- 15 13. A unit as claimed in claim 11, wherein the smaller coils contained within a boundary of at least one larger coil are arranged in a substantially concentric or nested configuration.
14. A unit as claimed in claim 11, wherein the smaller coils contained within the
20 boundary of at least one larger coil are arranged such that the smaller coils do not overlap each other or are not contained within each other.
15. A unit as claimed in claim 11, wherein some of the smaller coils contained
25 within the boundary of at least one larger coil have a nested configuration, and wherein some other of the said smaller coils are do not have a nested configuration within the same boundary.
16. A unit as claimed in any preceding claim, wherein the unit is provided with means for selectively activating one or more of the electrical coils in order to provide
30 efficient power transfer to power-receiving devices of different sizes and/or power requirements and/or positions or rotations.

17. A unit for transferring power in an inductive manner to at least one power-receiving device, the unit being provided with at least one plurality of nested electrical coils and also with means for selectively activating one or more of the nested electrical coils so as to be adaptable to provide efficient power transfer to
5 power-receiving devices of different sizes and/or power requirements and/or positions/rotations.

18. A unit as claimed in claim 17, wherein at least one of the electrical coils comprises a simple conductive loop.
10

19. A unit as claimed in any claim 17 or 18, wherein at least one of the electrical coils comprises a complex arrangement of conductors defining a charging region on which a power-receiving device may be placed.

20. A unit as claimed in claim 17, wherein there is provided four nested sets of electrical coils, each having a substantially right-angled triangular shape, and arranged such that the right-angles of the four sets of coils all point towards a single origin point such that the four sets of nested coils have an overall substantially square or rectangular configuration.
15

21. A unit as claimed in claim 20, wherein, in operation, adjacent sets of coils are driven in antiphase so as to cause rotation of a resulting electromagnetic field about the origin point.
20

22. A unit for transferring power in an inductive manner to at least one power-receiving device, the unit being provided with an even number of electrical coils each having a corner portion, the coils being arranged such that the corner portions all point towards an origin point, and wherein, in operation, adjacent coils are driven in antiphase so as to cause rotation of a resulting electromagnetic field about the
25
30 origin point.

23. A unit as claimed in claim 22, the unit being provided with four coils.

24. A unit as claimed in claim 22 or 23, wherein each coil has a substantially right-angled triangle shape or a quarter circular shape.

5

25. A system for contact-less power transfer, comprising a unit as claimed in any one of claims 1 to 25 and a discrete power-receiving device including a secondary coil for coupling inductively with the least one coil of the unit.

10 26. A system for contact-less power transfer, the system comprising a power-transmitting unit provided with a primary coil and at least one power-receiving device incorporating a secondary coil, wherein the primary coil is generally elongate along an x-axis with respect to an orthogonal y-axis, and wherein the secondary coil is sized so as to be sufficiently similar in size to the primary coil with respect to the
15 y-axis so as to provide efficient power transfer, but smaller in size with respect to the x-axis so as to provide a translational degree of freedom of movement along the x-axis.

20 27. A system as claimed in claim 26, wherein an extent of the primary coil along the x-axis is at least twice, advantageously at least three or four times, that of the secondary coil along the x-axis.

25 28. A system for contact-less power transfer, the system comprising a power-transmitting unit provided with at least one primary coil having a boundary portion and at least one power-receiving device incorporating a secondary coil, wherein power transfer takes place by way of coupling of near-field flux flowing about the boundary portion of the at least one primary coil with windings of the secondary coil.

30 29. A system as claimed in claim 28, comprising a plurality of adjacent primary coils enabling a plurality of power-receiving devices to receive power simultaneously.

30. A system as claimed in claim 28 or 29, wherein the at least one primary coil is generally rectangular in shape, so as to provide is one linear degree of freedom of movement of the secondary coil.
- 5 31. A system as claimed in claim 28 or 29, wherein the at least one primary coil is substantially circular or elliptical or the like, so as to provide a rotational degree of freedom of movement of the secondary coil.
- 10 32. A system for contact-less power transfer, the system comprising a power-transmitting unit provided with first and second substantially concentric primary coils, the first being larger than the second, and at least one power-receiving device incorporating at least one secondary coil dimensioned so as to correspond to a distance between the first and second primary coils, wherein power transfer takes place by way of coupling of near-field flux flowing about the boundaries of the first and second primary coils with generally opposed edges of the secondary coil.
- 15 33. A system as claimed in claim 32, wherein the first and second primary coils, in operation, are supplied with currents flowing in opposite directions.
- 20 34. A system as claimed in claim 32 or 33, wherein the primary coils are generally circular or elliptical or the like.
- 25 35. A unit as claimed in any one of claims 1 to 24, wherein the at least one coil is incorporated in a laminar charging pad upon which a power-receiving device may be placed.
36. A unit as claimed in claim 35, wherein the charging pad is substantially planar.
- 30 37. A system as claimed in any one of claims 25 to 34, wherein the at least one coil is incorporated in a laminar charging pad upon which the power-receiving device may be placed.

38. A system as claimed in claim 37, wherein the charging pad is substantially planar.
- 5 39. A unit for transferring power in an inductive manner to at least one power-receiving device, substantially as hereinbefore described with reference to or as shown in Figures 7 to 13 of the accompanying drawings.
- 10 40. A system for contact-less power transfer, substantially as hereinbefore described with reference to or as shown in Figures 7 to 13 of the accompanying drawings.

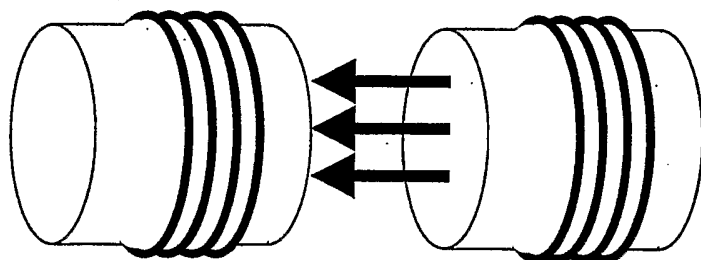


Figure 1a
(Prior Art)

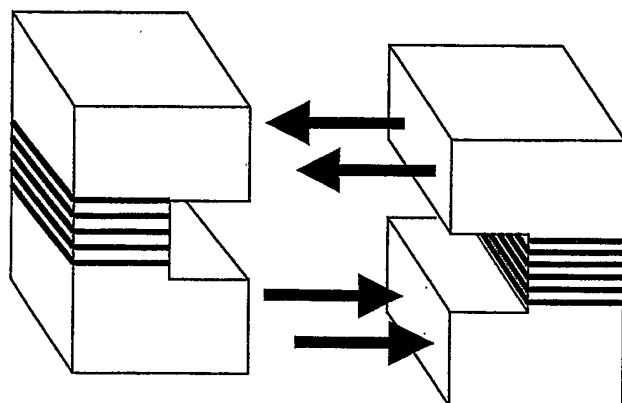


Figure 1b
(Prior Art)



Figure 1c
(Prior Art)

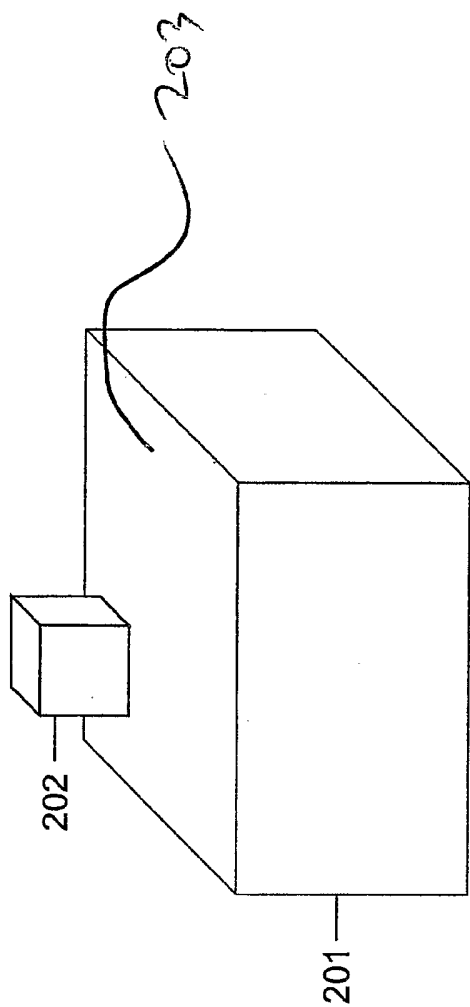


Figure 2a

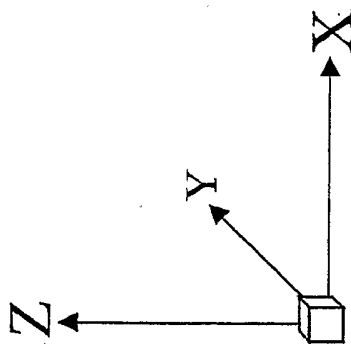


Figure 2b

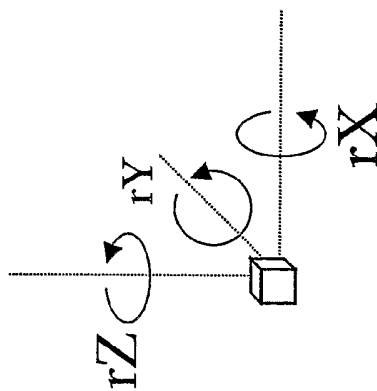


Figure 2c

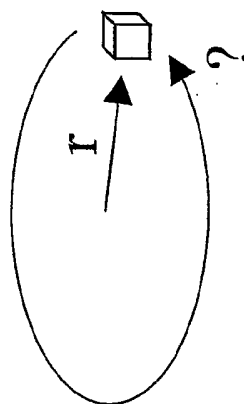


Figure 2d

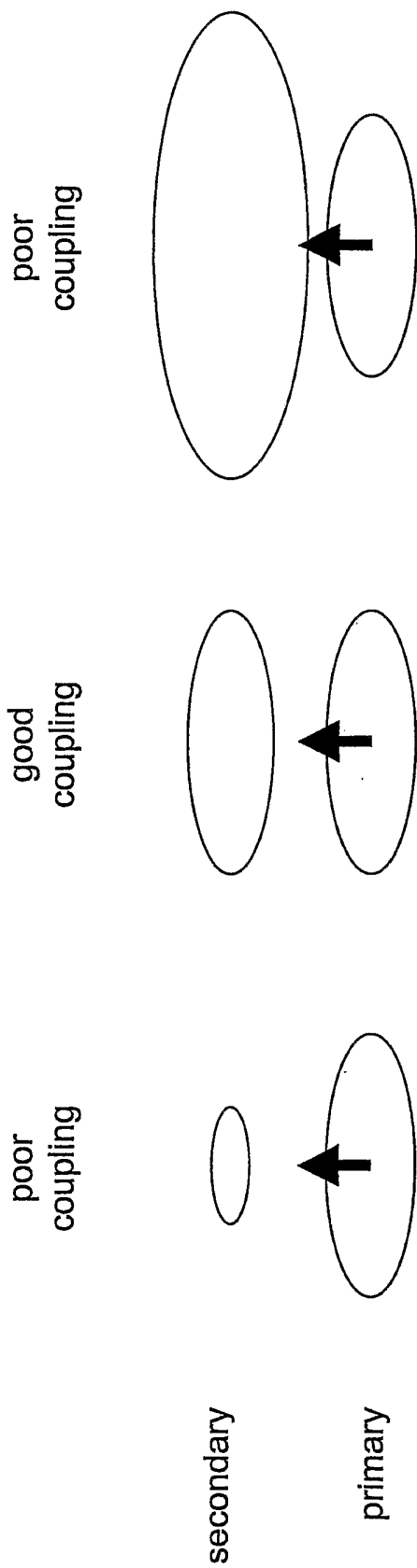


Figure 3

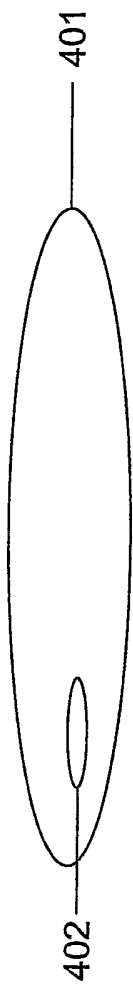


Figure 4
(Prior Art)

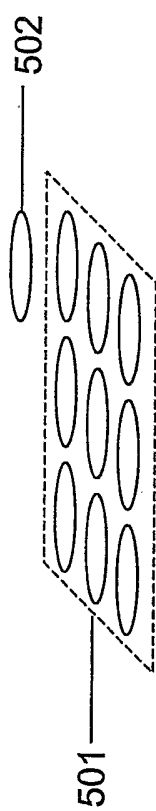


Figure 5
(Prior Art)

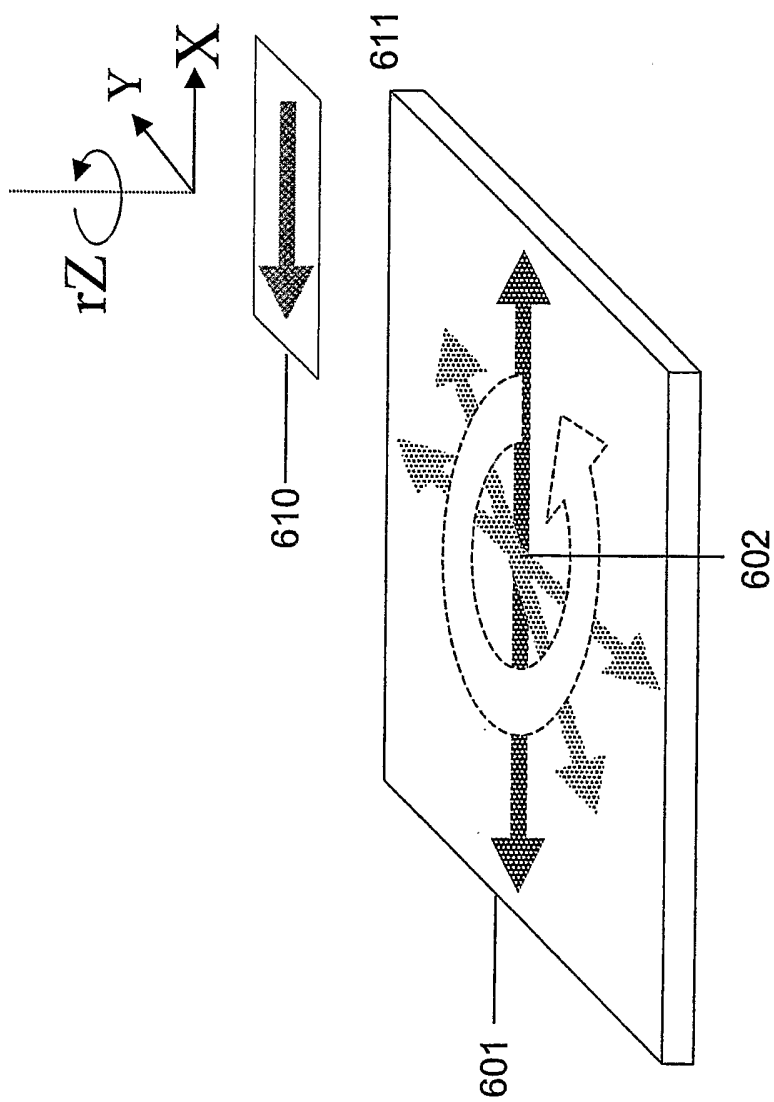


Figure 6
(Prior Art)

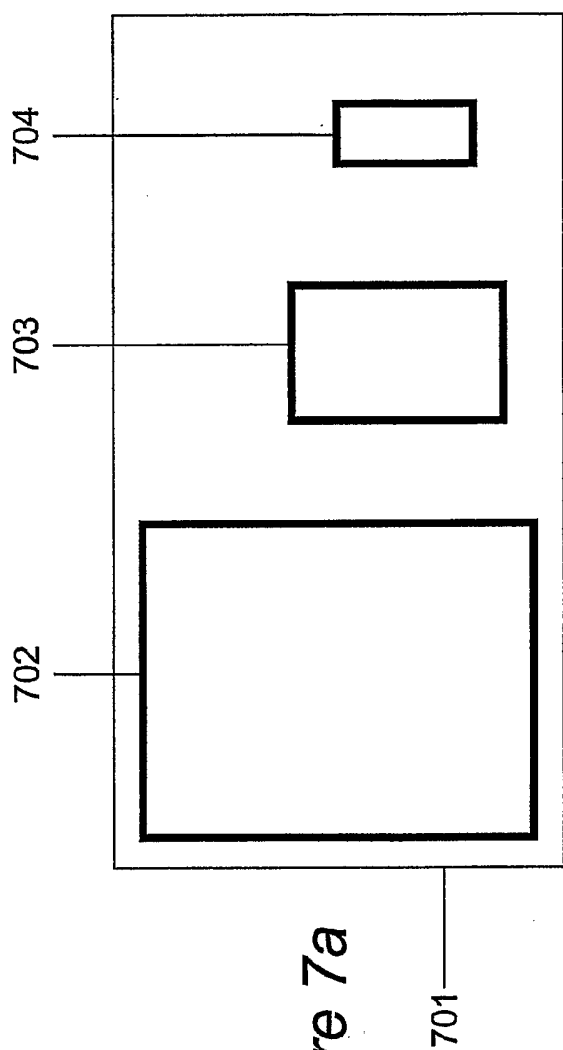


Figure 7a

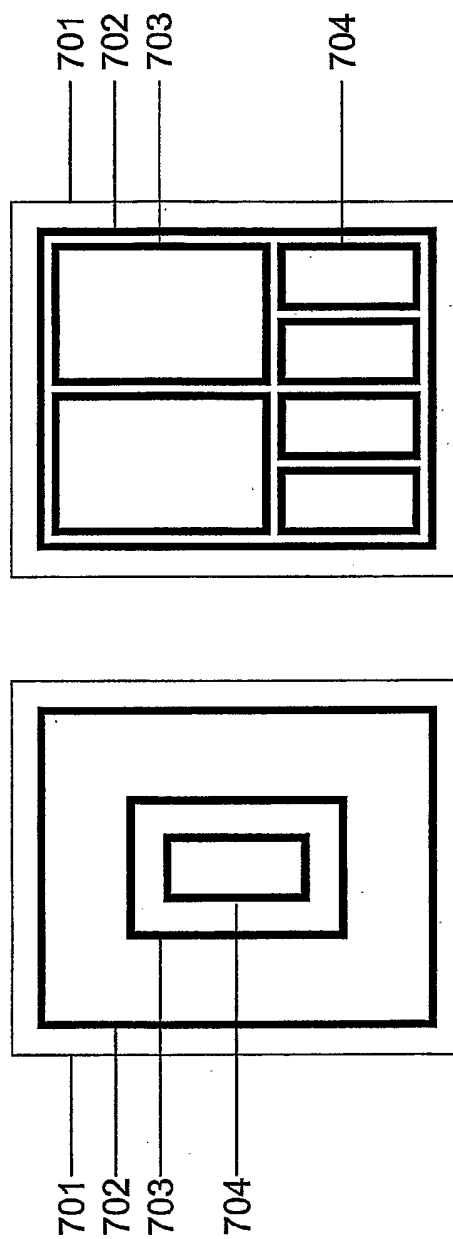


Figure 7b

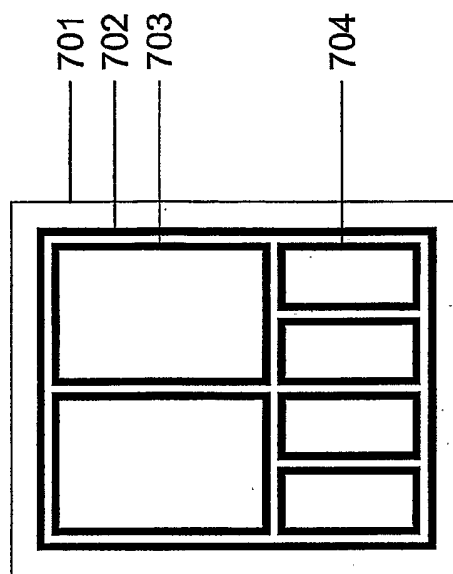


Figure 7c

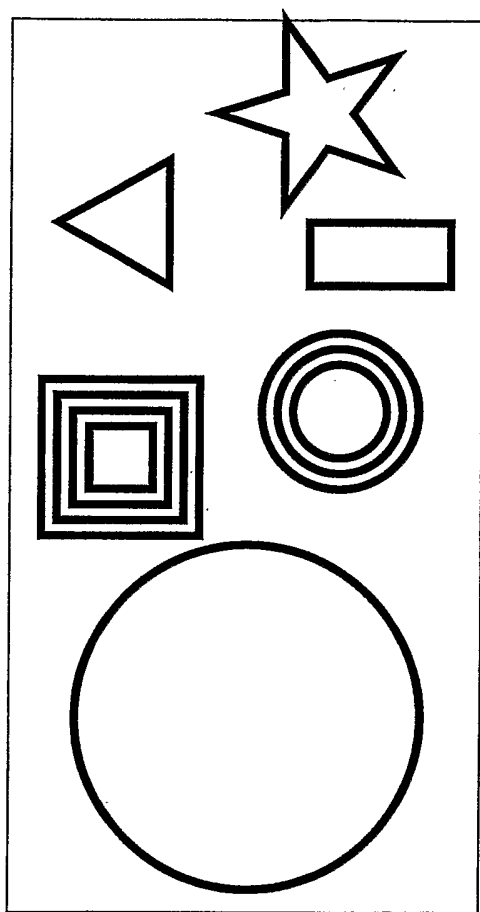


Figure 7d

701

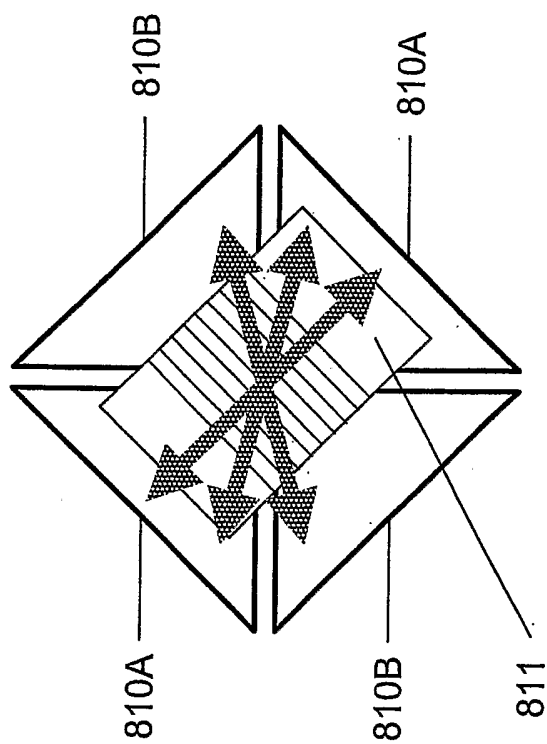


Figure 8b

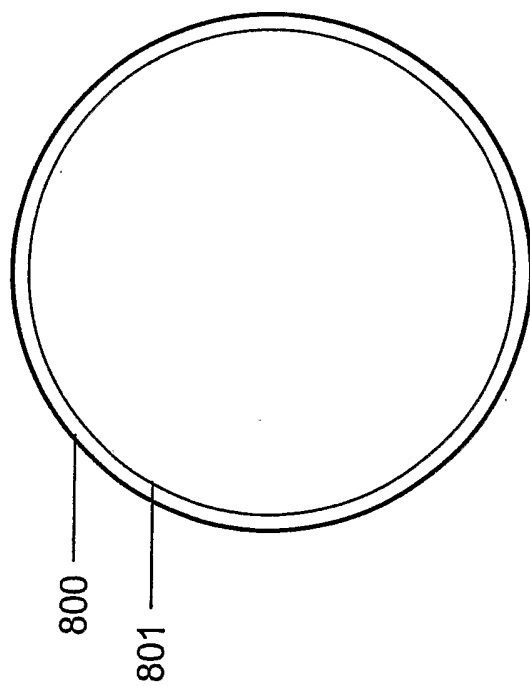
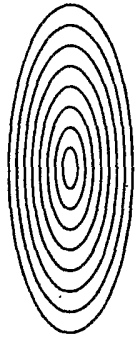
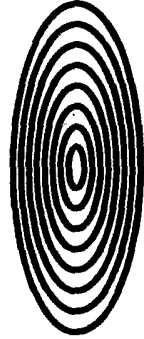


Figure 8a
(Prior Art)



902



901

Figure 9c



Figure 9e

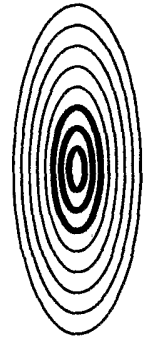


Figure 9g

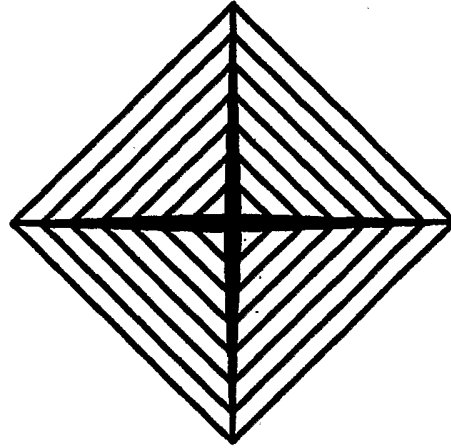


Figure 9i

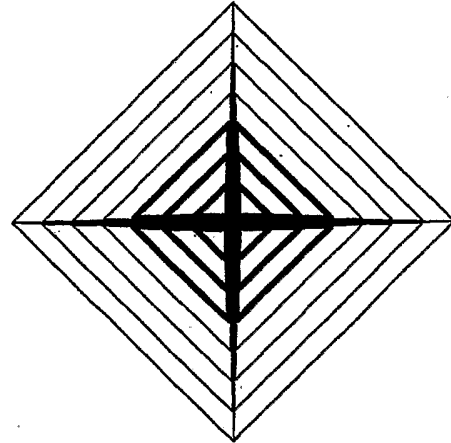


Figure 9k

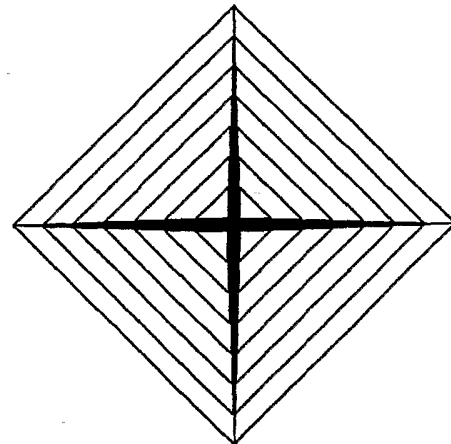


Figure 9m

903

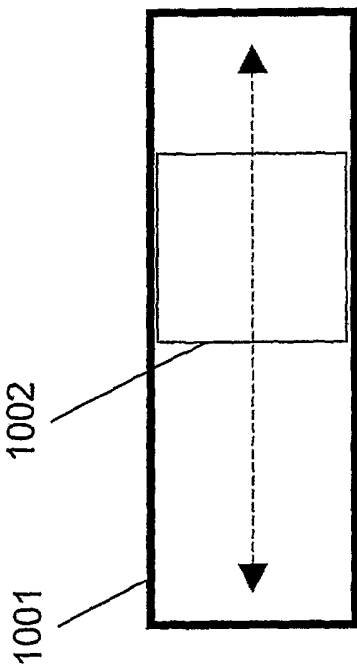


Figure 10a

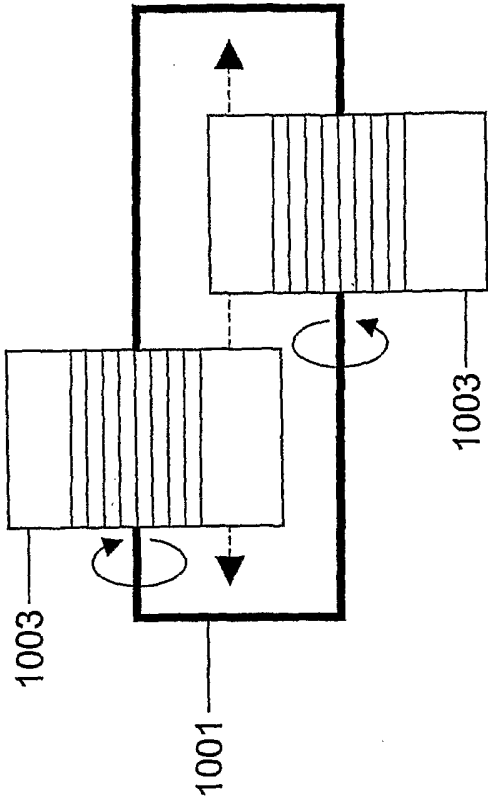


Figure 10b

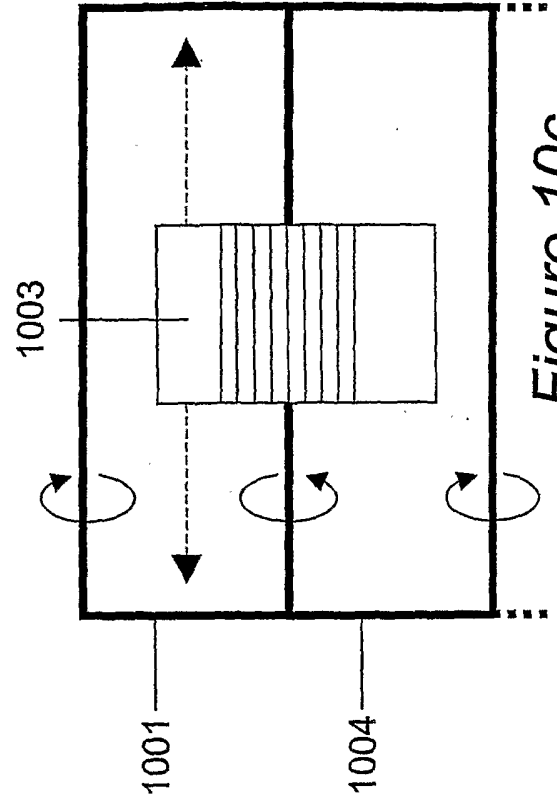
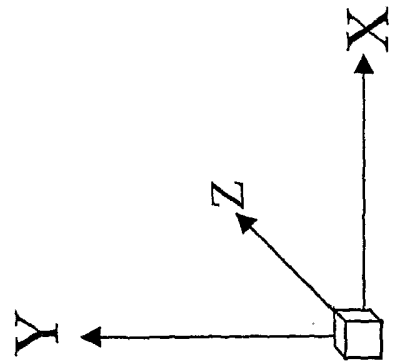


Figure 10c



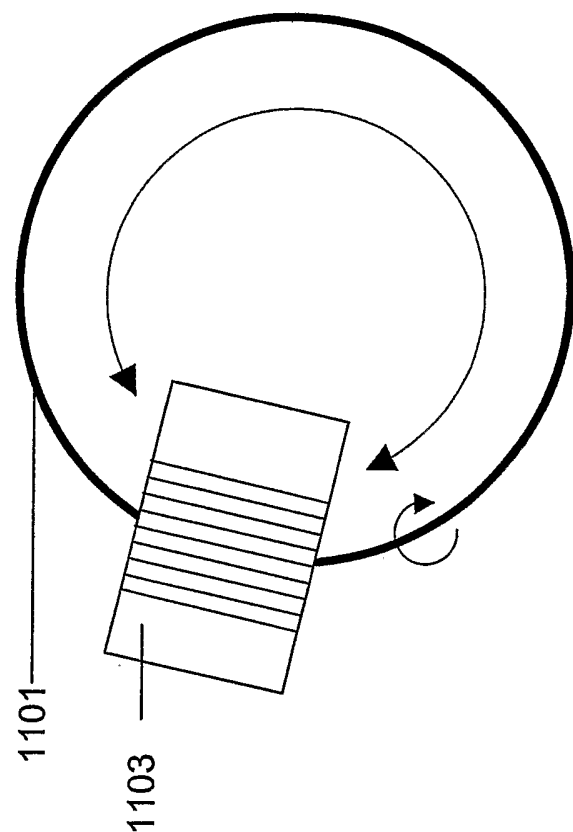


Figure 11a

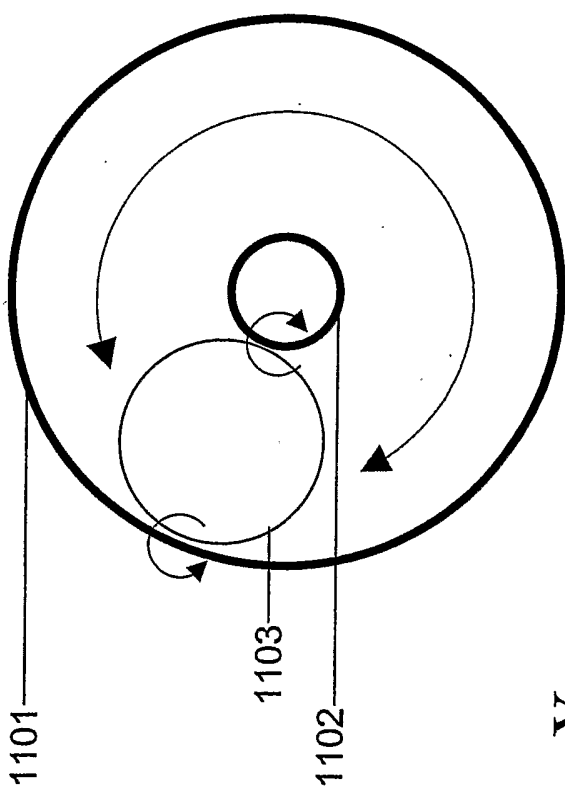
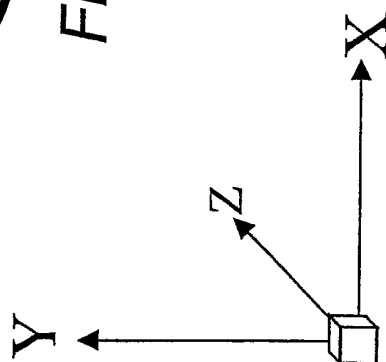


Figure 11b



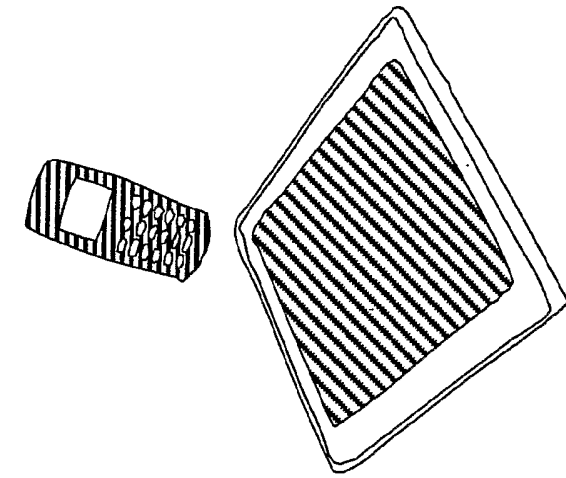


Figure 12c

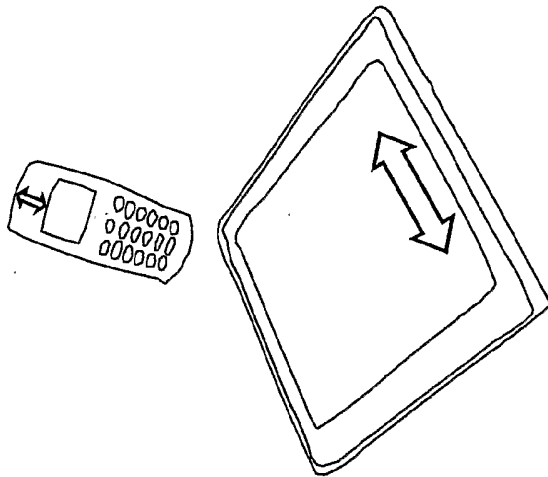


Figure 12b

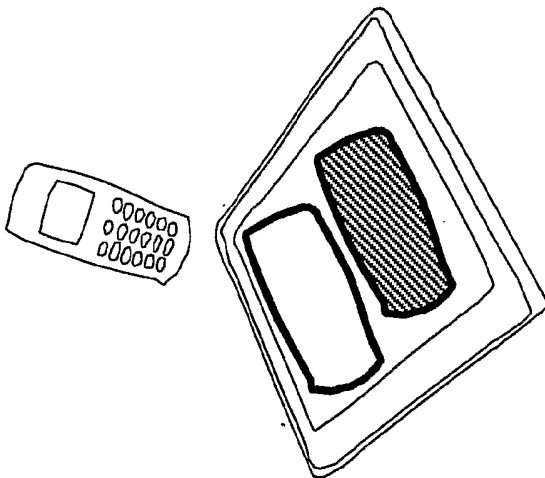


Figure 12a

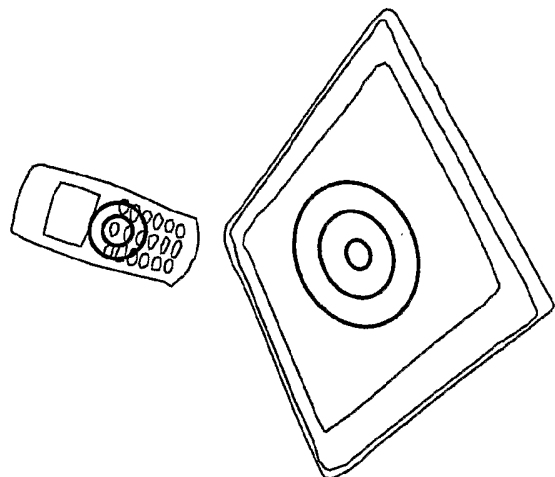


Figure 12d

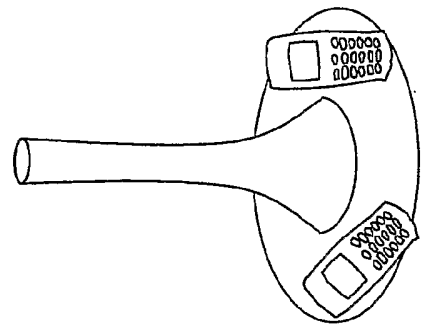


Figure 12e

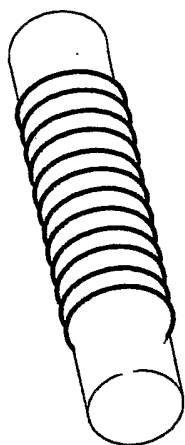


Figure 13a

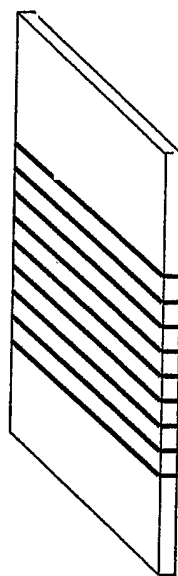


Figure 13b