



US00D773293S

(12) **United States Design Patent** (10) **Patent No.:** **US D773,293 S**
Ugartechea Berlanga et al. (45) **Date of Patent:** **** Dec. 6, 2016**

(54) **CONNECTOR** 4,019,300 A * 4/1977 Sauer E04B 9/067
52/506.06

(71) Applicant: **Mausoleum, S.A. DE C.V.**, Queretaro, 4,714,370 A * 12/1987 Chen A47B 47/0008
Queretaro (MX) 403/171

(72) Inventors: **Alejandro Ugartechea Berlanga**, 4,921,369 A * 5/1990 Chew, II A47D 7/002
Queretaro (MX); **Emilio Linares** 135/116
Limon, Queretaro (MX) 5,421,666 A * 6/1995 Spears B29C 65/561
403/169

(73) Assignee: **MAUSOLEUM, S.A. DE C.V.**, 6,283,457 B1 * 9/2001 Venegas, Jr. E01F 13/024
Queretaro (MX) 256/19

(**) Term: **14 Years** 7,537,453 B2 * 5/2009 Morgan A47B 97/00
434/80

D611,332 S * 3/2010 Tedesco D8/380
D637,899 S * 5/2011 Tedesco D8/380
8,955,928 B2 * 2/2015 Cheng A47F 5/0018
220/4.33

(Continued)

(21) Appl. No.: **29/499,140**

(22) Filed: **Aug. 12, 2014**

(30) **Foreign Application Priority Data**

Mar. 6, 2014 (MX) MX/f/2014/000744

(51) **LOC (10) Cl.** **08-08**

(52) **U.S. Cl.**

USPC **D8/382**

(58) **Field of Classification Search**

USPC D8/382, 349, 354, 363, 373, 374,
376,D8/380, 394, 499

CPC E04H 13/006; E04H 13/008; E04G 7/12;
E04G 7/02; E02D 17/205; A47B 47/00;
A47B 47/0025; A47B 47/0033; A47B
47/0091; A47B 47/0008; A47B 47/0016

See application file for complete search history.

(56) **References Cited**

U.S. PATENT DOCUMENTS

2,839,320 A * 6/1958 Hill E04G 7/02
135/909

2,911,243 A * 11/1959 Micozzi E04G 7/02
403/173

3,386,590 A * 6/1968 Gretz F21V 35/00
211/182

Primary Examiner — Sheryl Lane
Assistant Examiner — Ieisha Price
(74) *Attorney, Agent, or Firm* — Fraser Clemens Martin
& Miller LLC; James D. Miller

(57) **CLAIM**

The ornamental design for a connector, as shown and described.

DESCRIPTION

FIG. 1 is a perspective view of the connector showing our new design.

FIG. 2 is a front view thereof;

FIG. 3 is a back view thereof;

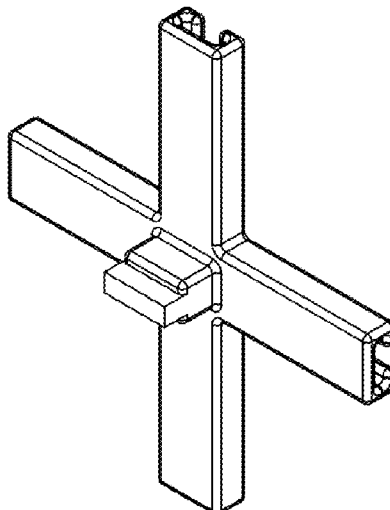
FIG. 4 is a top view thereof;

FIG. 5 is a bottom view thereof; and,

FIG. 6 is a left side view thereof.

The ornamental design which is claimed is shown in solid lines in the drawings. Any broken lines in the drawings are for illustrative purposes only and form no part of the claimed design.

1 Claim, 3 Drawing Sheets



(56)

References Cited

U.S. PATENT DOCUMENTS

2015/0076099	A1 *	3/2015	Chang	A47B 47/0033 211/186
2015/0308141	A1 *	10/2015		Ugartechea
			Berlanga	A61G 99/00 52/135
2015/0335151	A1 *	11/2015	Funfgeld	A47B 47/042 403/205

* cited by examiner

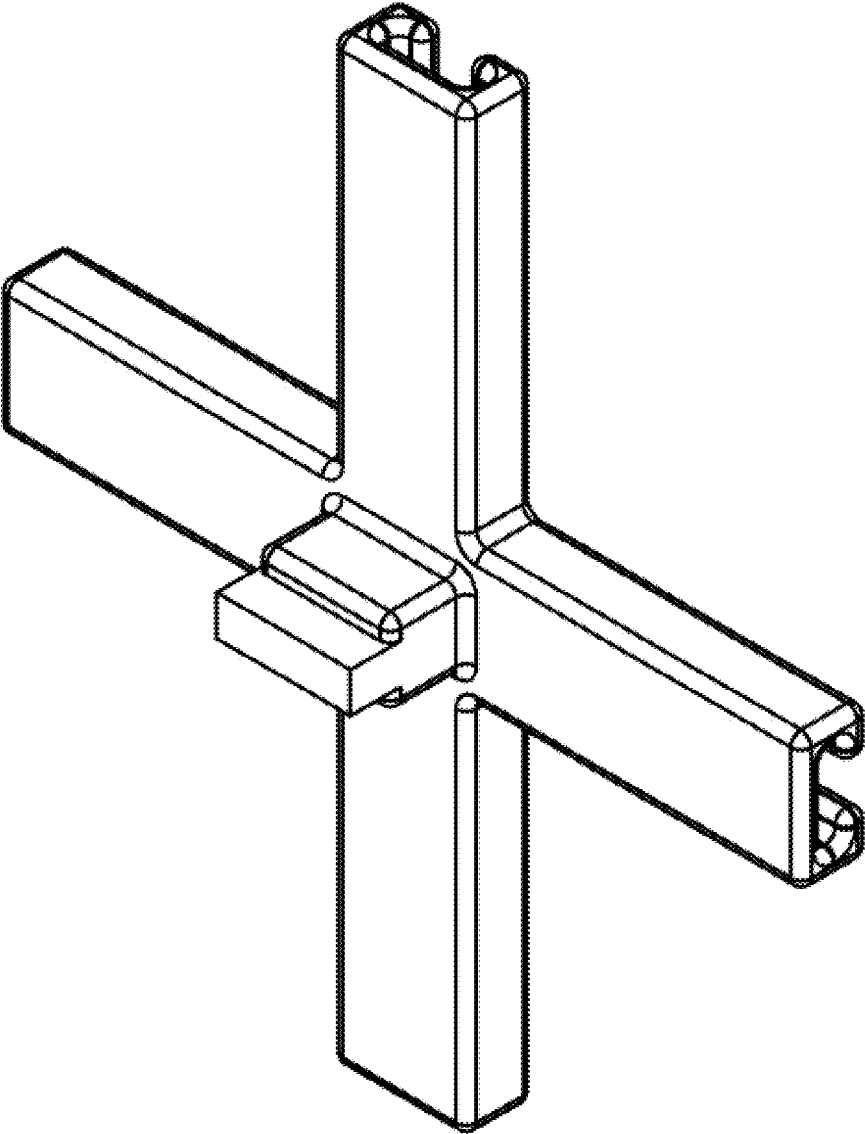


Fig. 1

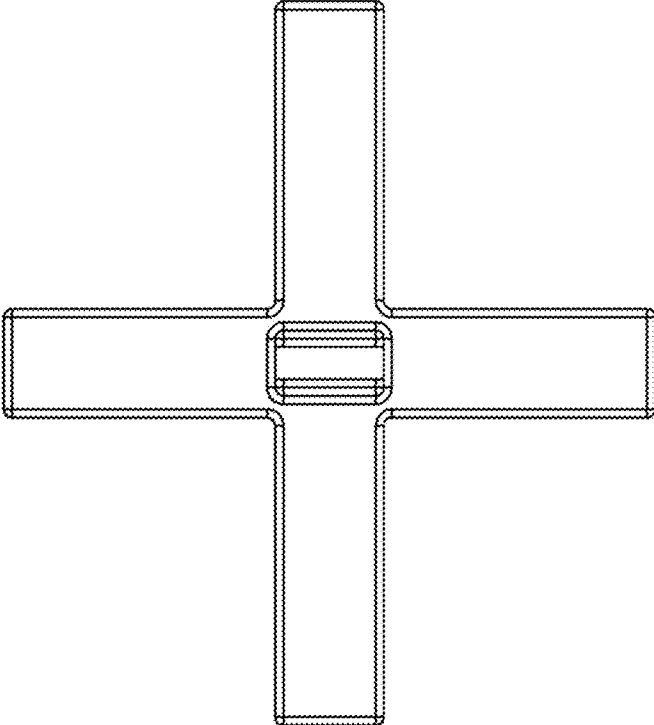


Fig. 2

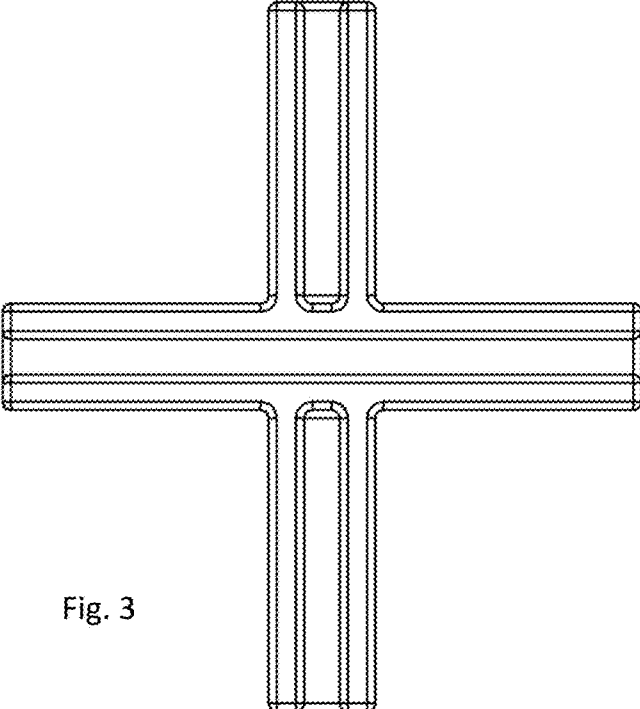


Fig. 3

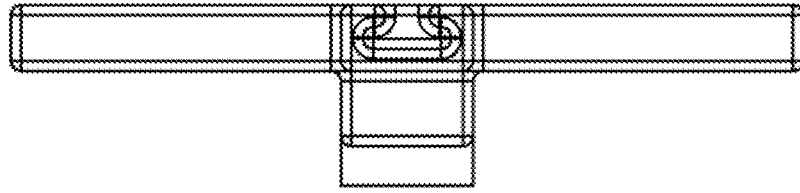


Fig. 4

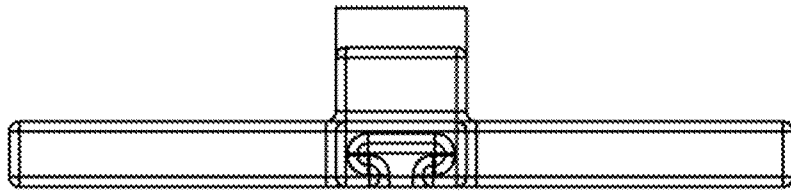


Fig. 5

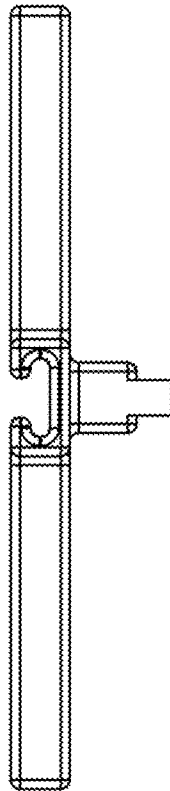


Fig. 6