

(19) World Intellectual Property Organization
International Bureau



(43) International Publication Date
7 June 2007 (07.06.2007)

PCT

(10) International Publication Number
WO 2007/063398 A3

- (51) International Patent Classification:
A61F 2/44 (2006.01) A61F 2/46 (2006.01)
- (21) International Application Number:
PCT/IB2006/003418
- (22) International Filing Date:
30 November 2006 (30.11.2006)
- (25) Filing Language: English
- (26) Publication Language: English
- (30) Priority Data:
05 12133 30 November 2005 (30.11.2005) FR
- (71) Applicant (for all designated States except US): LDR MEDICAL [FR/FR]; 4, rue Marie Curie, F-10430 Rosieres (FR).

AT, AU, AZ, BA, BB, BG, BR, BW, BY, BZ, CA, CH, CN, CO, CR, CU, CZ, DE, DK, DM, DZ, EC, EE, EG, ES, FI, GB, GD, GE, GH, GM, GT, HN, HR, HU, ID, IL, IN, IS, JP, KE, KG, KM, KN, KP, KR, KZ, LA, LC, LK, LR, LS, LT, LU, LV, LY, MA, MD, MG, MK, MN, MW, MX, MY, MZ, NA, NG, NI, NO, NZ, OM, PG, PH, PL, PT, RO, RS, RU, SC, SD, SE, SG, SK, SL, SM, SV, SY, TJ, TM, TN, TR, TT, TZ, UA, UG, US, UZ, VC, VN, ZA, ZM, ZW.

(84) Designated States (unless otherwise indicated, for every kind of regional protection available): ARIPO (BW, GH, GM, KE, LS, MW, MZ, NA, SD, SL, SZ, TZ, UG, ZM, ZW), Eurasian (AM, AZ, BY, KG, KZ, MD, RU, TJ, TM), European (AT, BE, BG, CH, CY, CZ, DE, DK, EE, ES, FI, FR, GB, GR, HU, IE, IS, IT, LT, LU, LV, MC, NL, PL, PT, RO, SE, SI, SK, TR), OAPI (BF, BJ, CF, CG, CI, CM, GA, GN, GQ, GW, ML, MR, NE, SN, TD, TG).

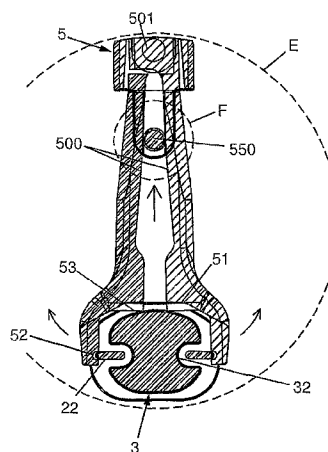
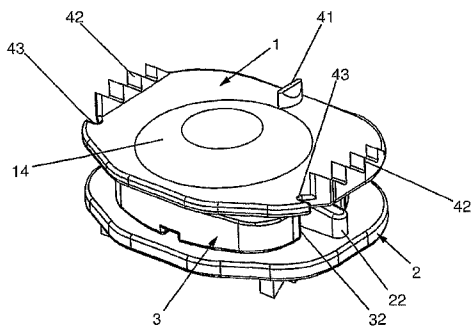
Published:
— with international search report
— before the expiration of the time limit for amending the claims and to be republished in the event of receipt of amendments

(88) Date of publication of the international search report:
4 October 2007

For two-letter codes and other abbreviations, refer to the "Guidance Notes on Codes and Abbreviations" appearing at the beginning of each regular issue of the PCT Gazette.

- (72) Inventors: RASHBAUM, Ralph; 3508 Twin Lakes Way, Plano, TX 75093 (US). KIM, Kee, D.; 4608 Redbud Drive, Davis, CA 95616 (US). BAE, Hyun; 1301 20th St., Suite 400, Santa Monica, CA 90404 (US). STEIB, Jean-Paul; 4 rue des Bécasses, F-67000 Strasbourg (FR).
- (74) Agent: DEBAY, Yves; Cabinet Debay, 126 Elysée 2, F-78170 La Celle St Cloud (FR).
- (81) Designated States (unless otherwise indicated, for every kind of national protection available): AE, AG, AL, AM,

(54) Title: INTERVERTEBRAL DISC PROSTHESIS AND INSTRUMENTATION FOR INSERTION OF THE PROSTHESIS BETWEEN THE VERTEBRAE



(57) Abstract: The present invention relates to an intervertebral disc prosthesis and insertion instrumentation, the prosthesis comprising at least first and second osseous anchoring means (42, 41), the first osseous anchoring means disposed proximal to the periphery of the plate on which it is situated and the second osseous anchoring means being offset along the antero-posterior axis, the second osseous anchoring means comprising a basal portion and a sharp-edged portion of width narrower than the basal portion. The instrumentation comprises a rod (50) fitted with at least two feet (500) forming a clip and sliding in a tube (55), sliding the rod in the tube, in the direction of the manipulation end, causing closing of the clip by contact between the exterior of the feet and a truncated portion of the tube and sliding the rod in the tube, in the direction of the prehension end, causing opening of the clip by contact between an axis (550) and the interior of the feet of the rod.

WO 2007/063398 A3

INTERNATIONAL SEARCH REPORT

International application No
PCT/IB2006/003418

A. CLASSIFICATION OF SUBJECT MATTER
INV. A61F2/44 A61F2/46

According to International Patent Classification (IPC) or to both national classification and IPC

B. FIELDS SEARCHED

Minimum documentation searched (classification system followed by classification symbols)
A61F

Documentation searched other than minimum documentation to the extent that such documents are included in the fields searched

Electronic data base consulted during the international search (name of data base and, where practical, search terms used)

EPO-Internal

C. DOCUMENTS CONSIDERED TO BE RELEVANT

Category*	Citation of document, with indication, where appropriate, of the relevant passages	Relevant to claim No.
X	WO 01/01893 A (SPINE SOLUTIONS INC; MARNAY, THIERRY; BEYERSDORFF, BORIS) 11 January 2001 (2001-01-11)	1-8, 11-14, 24,25
Y	page 8, paragraph 2 - page 12, paragraph 2; figures	1,9,10, 15-23,26
Y	----- EP 1 287 795 A (SULZER ORTHOPEDICS LTD) 5 March 2003 (2003-03-05) figure 3	1
Y	----- WO 2005/007040 A (MATHYS MEDIZINALTECHNIK AG; LECHMANN, BEAT; BUERKI, ROGER; FRIGG, ROBE) 27 January 2005 (2005-01-27) page 6, paragraph 3 - page 8, paragraph 4	9,10
Y	----- WO 2004/039291 A (SPINECORE, INC) 13 May 2004 (2004-05-13) paragraph [0139] - paragraph [0140]	10
	----- -/--	

Further documents are listed in the continuation of Box C.

See patent family annex.

* Special categories of cited documents :

- *A* document defining the general state of the art which is not considered to be of particular relevance
- *E* earlier document but published on or after the international filing date
- *L* document which may throw doubts on priority claim(s) or which is cited to establish the publication date of another citation or other special reason (as specified)
- *O* document referring to an oral disclosure, use, exhibition or other means
- *P* document published prior to the international filing date but later than the priority date claimed

- *T* later document published after the international filing date or priority date and not in conflict with the application but cited to understand the principle or theory underlying the invention
- *X* document of particular relevance; the claimed invention cannot be considered novel or cannot be considered to involve an inventive step when the document is taken alone
- *Y* document of particular relevance; the claimed invention cannot be considered to involve an inventive step when the document is combined with one or more other such documents, such combination being obvious to a person skilled in the art.
- *Z* document member of the same patent family

Date of the actual completion of the international search

13 July 2007

Date of mailing of the international search report

24/07/2007

Name and mailing address of the ISA/

European Patent Office, P.B. 5818 Patentlaan 2
NL - 2280 HV Rijswijk
Tel. (+31-70) 340-2040, Tx. 31 651 epo nl,
Fax: (+31-70) 340-3016

Authorized officer

Buchmann, Gerhard

INTERNATIONAL SEARCH REPORT

International application No

PCT/IB2006/003418

C(Continuation). DOCUMENTS CONSIDERED TO BE RELEVANT		
Category*	Citation of document, with indication, where appropriate, of the relevant passages	Relevant to claim No.
Y	FR 2 865 629 A (LDR MEDICAL) 5 August 2005 (2005-08-05) claims 11,14-18,22 -----	15-18,26
Y	FR 2 824 261 A (LDR MEDICAL) 8 November 2002 (2002-11-08) page 17, line 1 - page 18, line 4 -----	19-23
A	WO 01/43620 A (HAMADA JAMES S [US]) 21 June 2001 (2001-06-21) page 36, paragraph 3 - page 37, paragraph 2; figure 33 -----	27-34
A	WO 2005/051243 A (GILL STEVEN STREATFIELD [GB]) 9 June 2005 (2005-06-09) page 14, line 23 - page 15, line 3; figures 6,7 -----	27-34
A	EP 1 504 733 A1 (CERVITECH INC [US]) 9 February 2005 (2005-02-09) paragraphs [0008] - [0010] -----	27-34

INTERNATIONAL SEARCH REPORT

International application No.
PCT/IB2006/003418

Box II Observations where certain claims were found unsearchable (Continuation of item 2 of first sheet)

This International Search Report has not been established in respect of certain claims under Article 17(2)(a) for the following reasons:

1. Claims Nos.:
because they relate to subject matter not required to be searched by this Authority, namely:

2. Claims Nos.:
because they relate to parts of the International Application that do not comply with the prescribed requirements to such an extent that no meaningful International Search can be carried out, specifically:

3. Claims Nos.:
because they are dependent claims and are not drafted in accordance with the second and third sentences of Rule 6.4(a).

Box III Observations where unity of invention is lacking (Continuation of item 3 of first sheet)

This International Searching Authority found multiple inventions in this international application, as follows:

see additional sheet

1. As all required additional search fees were timely paid by the applicant, this International Search Report covers all searchable claims.

2. As all searchable claims could be searched without effort justifying an additional fee, this Authority did not invite payment of any additional fee.

3. As only some of the required additional search fees were timely paid by the applicant, this international Search Report covers only those claims for which fees were paid, specifically claims Nos.:

4. No required additional search fees were timely paid by the applicant. Consequently, this International Search Report is restricted to the invention first mentioned in the claims; it is covered by claims Nos.:

Remark on Protest

- The additional search fees were accompanied by the applicant's protest.
- No protest accompanied the payment of additional search fees.

FURTHER INFORMATION CONTINUED FROM PCT/ISA/ 210

This International Searching Authority found multiple (groups of) inventions in this international application, as follows:

1. claims: 1-26

An intervertebral disc prosthesis having first and second articulating plates and first and second osseous anchoring means disposed offset with respect to each other along an anterior-posterior axis.

2. claims: 27-34

Instrumentation for inserting an intervertebral disc prosthesis comprising a hollow tube and a rod slidably disposed therein, the rod comprising a clip having two feet for grasping the prosthesis which is closed by sliding the rod proximally and which is opened by a separation axis when the rod is slid distally.

INTERNATIONAL SEARCH REPORT

Information on patent family members

International application No

PCT/IB2006/003418

Patent document cited in search report		Publication date	Patent family member(s)	Publication date
WO 0101893	A	11-01-2001	AU 780719 B2	14-04-2005
			AU 7224500 A	22-01-2001
			AU 2005200991 A1	07-04-2005
			AU 2005200993 A1	07-04-2005
			AU 2005200994 A1	07-04-2005
			AU 2005200997 A1	07-04-2005
			BR 9917397 A	05-03-2002
			CA 2391330 A1	11-01-2001
			DE 29911422 U1	12-08-1999
			EP 1194088 A1	10-04-2002
			JP 2003503154 T	28-01-2003
			MX PA01013413 A	04-09-2003
			NZ 516410 A	24-12-2004
			US 6936071 B1	30-08-2005
			US 2005267581 A1	01-12-2005
US 2005085917 A1	21-04-2005			
EP 1287795	A	05-03-2003	US 2003045939 A1	06-03-2003
WO 2005007040	A	27-01-2005	AU 2003304352 A1	04-02-2005
			BR P10318405 A	01-08-2006
			CA 2533473 A1	22-01-2005
			CN 1802132 A	12-07-2006
			EP 1646336 A1	19-04-2006
			JP 2007504847 T	08-03-2007
			US 2006229725 A1	12-10-2006
WO 2004039291	A	13-05-2004	AU 2003267215 A1	25-05-2004
			CA 2503848 A1	13-05-2004
			EP 1555966 A1	27-07-2005
			JP 2006504501 T	09-02-2006
			US 2004148027 A1	29-07-2004
FR 2865629	A	05-08-2005	AU 2005211222 A1	18-08-2005
			CA 2554923 A1	18-08-2005
			CN 1913846 A	14-02-2007
			EP 1711133 A1	18-10-2006
			FR 2865630 A1	05-08-2005
			WO 2005074839 A1	18-08-2005
			US 2005197706 A1	08-09-2005
FR 2824261	A	08-11-2002	BR 0209351 A	13-10-2004
			CA 2446095 A1	14-11-2002
			CN 1522128 A	18-08-2004
			CN 1720873 A	18-01-2006
			CN 1720878 A	18-01-2006
			EP 1399086 A2	24-03-2004
			WO 02089701 A2	14-11-2002
			JP 2004525727 T	26-08-2004
			MX PA03010083 A	07-03-2005
			RU 2296540 C2	10-04-2007
			US 2004243240 A1	02-12-2004
			ZA 200308355 A	01-07-2004
			WO 0143620	A
US 6425920 B1	30-07-2002			
WO 2005051243	A	09-06-2005	AU 2004292379 A1	09-06-2005

INTERNATIONAL SEARCH REPORT

Information on patent family members

International application No

PCT/IB2006/003418

Patent document cited in search report	Publication date	Patent family member(s)	Publication date
WO 2005051243 A		BR PI0415990 A	09-01-2007
		CA 2544389 A1	09-06-2005
		CN 1893896 A	10-01-2007
		EP 1677710 A2	12-07-2006
		JP 2007509677 T	19-04-2007
EP 1504733 A1	09-02-2005	CA 2472708 A1	04-02-2005
		JP 2005052652 A	03-03-2005
		US 2005033428 A1	10-02-2005