

(19) World Intellectual Property Organization
International Bureau



(43) International Publication Date
26 April 2007 (26.04.2007)

PCT

(10) International Publication Number
WO 2007/046850 A3

- (51) International Patent Classification:
A61M 29/00 (2006.01)
- (21) International Application Number:
PCT/US2006/011624
- (22) International Filing Date: 30 March 2006 (30.03.2006)
- (25) Filing Language: English
- (26) Publication Language: English
- (30) Priority Data:
60/666,547 30 March 2005 (30.03.2005) US
60/743,285 14 February 2006 (14.02.2006) US

(71) Applicant (for all designated States except US): ACCESS SCIENTIFIC, INC. [US/US]; 140 West 57th Street., New York, NY 10019 (US).

(72) Inventors; and

(75) Inventors/Applicants (for US only): TAL, Michael [IL/US]; 123 Peckhill Road, Woodbridge, Connecticut 06525 (US). MARANO, John, P., Jr. [US/US]; 395 Boston Post Road, Madison, Connecticut 06443-2934 (US). FLOM, James, R. [US/US]; 130 Arrowwood Land, San Mateo, California 94403 (US). LAPETINA, John, F. [US/US]; 555 Duboce Avenue, #2, San Francisco, California 94117 (US). ANG, Robert, Yuen Lee [AU/US]; 461 Central Park West, Apt. 1K, New York, New York 10025 (US). ABROFF, Aaron [US/US]; 2640 Melendy Drive, #8, San Carlos, California 94070 (US). GANDARILLAS,

Carl [US/US]; 302 Bethany Road, Beacon Falls, Connecticut 06403 (US). WEI, Michael, F. [US/US]; 1000 Davit Lane, #100, Redwood City, California 94065 (US). DRUKER, Joshua [US/US]; 434 Molimo Drive, San Francisco, California 94127 (US). ANDERSON, Janelle [CA/US]; 142 West 83rd Street, #23, New York, New York 10024 (US).

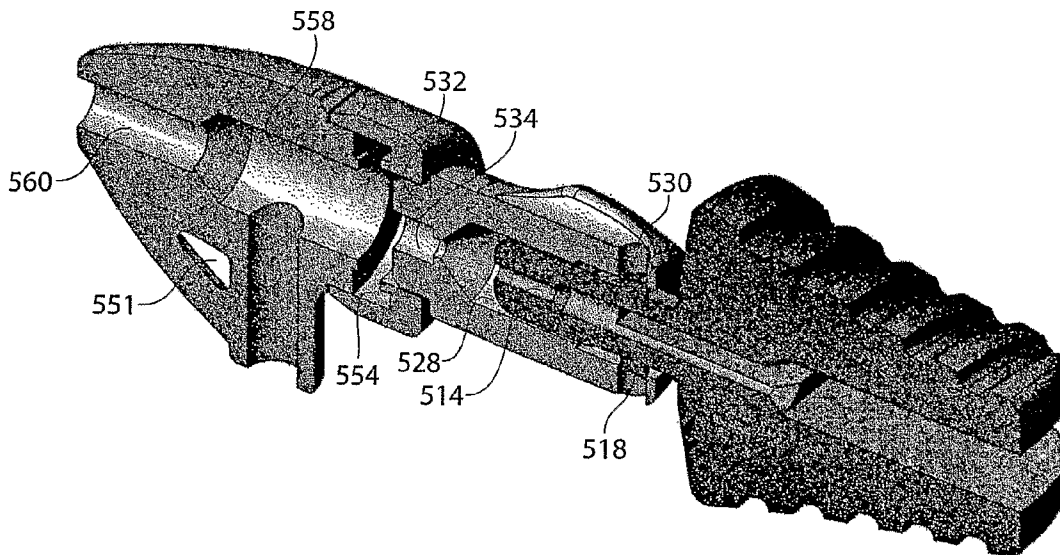
(74) Agents: ALTMAN, Daniel, E. et al.; Knobbe, Martens, Olson & Bear, LLP, 2040, Main Street., Fourteenth floor, Irvine, CA 92614 (US).

(81) Designated States (unless otherwise indicated, for every kind of national protection available): AE, AG, AL, AM, AT, AU, AZ, BA, BB, BG, BR, BW, BY, BZ, CA, CH, CN, CO, CR, CU, CZ, DE, DK, DM, DZ, EC, EE, EG, ES, FI, GB, GD, GE, GH, GM, HR, HU, ID, IL, IN, IS, JP, KE, KG, KM, KN, KP, KR, KZ, LC, LK, LR, LS, LT, LU, LV, LY, MA, MD, MG, MK, MN, MW, MX, MZ, NA, NG, NI, NO, NZ, OM, PG, PH, PL, PT, RO, RU, SC, SD, SE, SG, SK, SL, SM, SY, TJ, TM, TN, TR, TT, TZ, UA, UG, US, UZ, VC, VN, YU, ZA, ZM, ZW.

(84) Designated States (unless otherwise indicated, for every kind of regional protection available): ARIPO (BW, GH, GM, KE, LS, MW, MZ, NA, SD, SL, SZ, TZ, UG, ZM, ZW), Eurasian (AM, AZ, BY, KG, KZ, MD, RU, TJ, TM), European (AT, BE, BG, CH, CY, CZ, DE, DK, EE, ES, FI, FR, GB, GR, HU, IE, IS, IT, LT, LU, LV, MC, NL, PL, PT, RO, SE, SI, SK, TR), OAPI (BF, BJ, CF, CG, CI, CM, GA, GN, GQ, GW, ML, MR, NE, SN, TD, TG).

[Continued on next page]

(54) Title: VASCULAR ACCESS



(57) Abstract: A device may include a hollow needle, a dilator mounted coaxially on the needle, and a sheath mounted coaxially on the dilator. The dilator may be slideably displaceable relative to the sheath.

WO 2007/046850 A3



Published:

- with international search report
- under Rule 91.1(f), with a request for rectification

(88) Date of publication of the international search report:

10 January 2008

For two-letter codes and other abbreviations, refer to the "Guidance Notes on Codes and Abbreviations" appearing at the beginning of each regular issue of the PCT Gazette.

INTERNATIONAL SEARCH REPORT

International application No.

PCT/US06/11624

A. CLASSIFICATION OF SUBJECT MATTER
 IPC: A61M 29/00(2006.01)

USPC: 604/104
 According to International Patent Classification (IPC) or to both national classification and IPC

B. FIELDS SEARCHED

Minimum documentation searched (classification system followed by classification symbols)
 U.S. : 604/104, 110, 192, 198

Documentation searched other than minimum documentation to the extent that such documents are included in the fields searched

Electronic data base consulted during the international search (name of data base and, where practicable, search terms used)

C. DOCUMENTS CONSIDERED TO BE RELEVANT

Category *	Citation of document, with indication, where appropriate, of the relevant passages	Relevant to claim No.
A	US 4,411,655 (Schreck) 25 October 1983 (25.10.1983), see entire patent.	1-27
A	US 4,629,450 (Susuki et al.) 16 December 1986 (16.12.1986), see entire patent.	1-27

Further documents are listed in the continuation of Box C. See patent family annex.

* Special categories of cited documents:	"T" later document published after the international filing date or priority date and not in conflict with the application but cited to understand the principle or theory underlying the invention
"A" document defining the general state of the art which is not considered to be of particular relevance	"X" document of particular relevance; the claimed invention cannot be considered novel or cannot be considered to involve an inventive step when the document is taken alone
"E" earlier application or patent published on or after the international filing date	"Y" document of particular relevance; the claimed invention cannot be considered to involve an inventive step when the document is combined with one or more other such documents, such combination being obvious to a person skilled in the art
"L" document which may throw doubts on priority claim(s) or which is cited to establish the publication date of another citation or other special reason (as specified)	"&" document member of the same patent family
"O" document referring to an oral disclosure, use, exhibition or other means	
"P" document published prior to the international filing date but later than the priority date claimed	

Date of the actual completion of the international search
 30 September 2007 (30.09.2007)

Date of mailing of the international search report
 17 OCT 2007

Name and mailing address of the ISA/US
 Mail Stop PCT, Attn: ISA/US
 Commissioner for Patents
 P.O. Box 1450
 Alexandria, Virginia 22313-1450
 Facsimile No. (571) 273-3201

Authorized officer
 Manuel Mendez *Annist Heath*
 Telephone No. 571-272-3700 *Jas*