



US00D485481S

(12) **United States Design Patent**
Wolff

(10) **Patent No.:** **US D485,481 S**

(45) **Date of Patent:** **** Jan. 20, 2004**

- (54) **RATCHET CLAMP**
- (75) Inventor: **Friedrich Wolff**, Bad Neuenahr (DE)
- (73) Assignee: **wolcraft GmbH**, Kempenich (DE)
- (**) Term: **14 Years**
- (21) Appl. No.: **29/165,628**
- (22) Filed: **Aug. 14, 2002**

D442,047 S * 5/2001 Hicks D8/72
 6,240,815 B1 6/2001 Huang
 6,336,386 B1 * 1/2002 Lee 81/328
 D457,409 S 5/2002 Noniewicz

* cited by examiner

Primary Examiner—Louis S. Zarfaz
Assistant Examiner—Deanne Levy
 (74) *Attorney, Agent, or Firm*—Bell, Boyd & Lloyd LLC

(57) **CLAIM**

The ornamental design for a ratchet clamp, as shown and described.

Related U.S. Application Data

- (62) Division of application No. 29/146,414, filed on Aug. 9, 2001, now Pat. No. Des. 470,029.

(30) **Foreign Application Priority Data**

Feb. 10, 2001 (DE) 4 01 01 560

- (51) **LOC (7) Cl.** **08-05**
- (52) **U.S. Cl.** **D8/72**
- (58) **Field of Search** D8/71–74, 52, D8/54; 81/320, 325, 328, 300, 302, 314, 323, 324, 418, 421, 424, 338, 392; 269/6

(56) **References Cited**

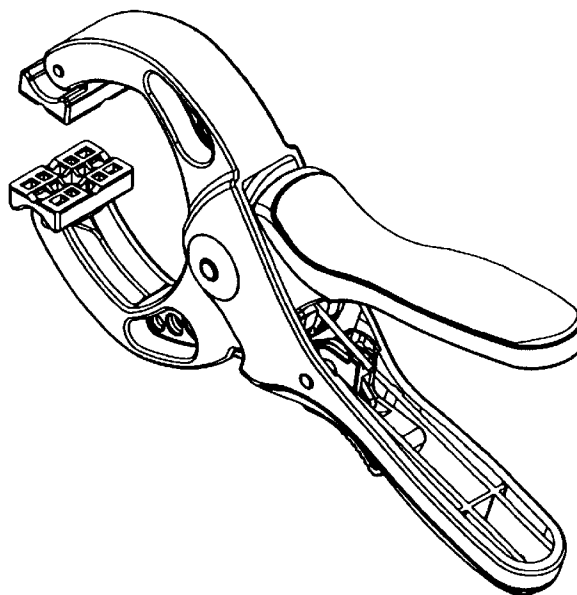
U.S. PATENT DOCUMENTS

2,667,678	A	*	2/1954	Hargrave et al.	D8/72
2,798,491	A	*	7/1957	Samuels	81/415
3,149,390	A	*	9/1964	McCoy	D8/72
3,456,262	A		7/1969	Coon		
3,779,108	A		12/1973	Reiter		
D350,892	S		9/1994	Sorensen		
D399,729	S		10/1998	Chen		
6,000,686	A		12/1999	Yates		
D433,318	S	*	11/2000	Chang	D8/395

DESCRIPTION

FIG. 1 is a perspective view of a ratchet clamp of the present invention;
 FIG. 2 is a plan view of the left side of the ratchet clamp of FIG. 1 with the right side being a mirror image;
 FIG. 3 is an end view of the closed jaws of the ratchet clamp of FIG. 1; and
 FIG. 4 is a plan view of the bottom of the ratchet clamp of FIG. 1.
 FIG. 5 is a perspective view of an embodiment of a ratchet clamp of the present invention in an open position;
 FIG. 6 is an elevational view of the left side of the ratchet clamp of FIG. 5 with the right side being a mirror image;
 FIG. 7 is an end view of the open jaws of the ratchet clamp of FIG. 5;
 FIG. 8 is a plan view of a top of the ratchet clamp of FIG. 5 with the bottom view being a mirror image; and,
 FIG. 9 is an elevational view of the left side of the ratchet clamp of FIG. 5 with the clamp in a closed position.

1 Claim, 5 Drawing Sheets



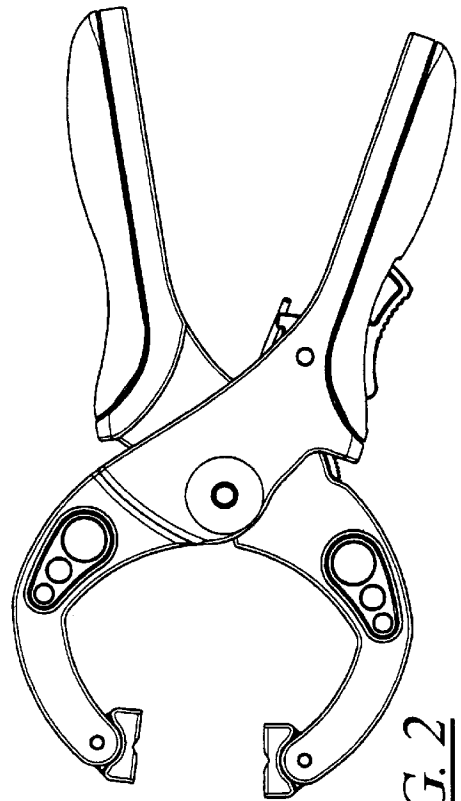
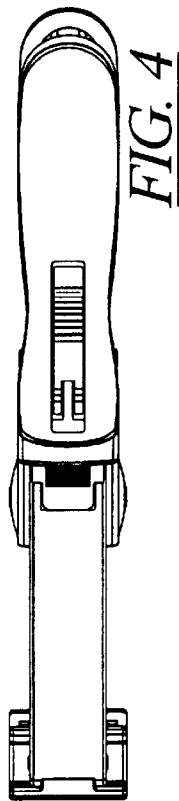
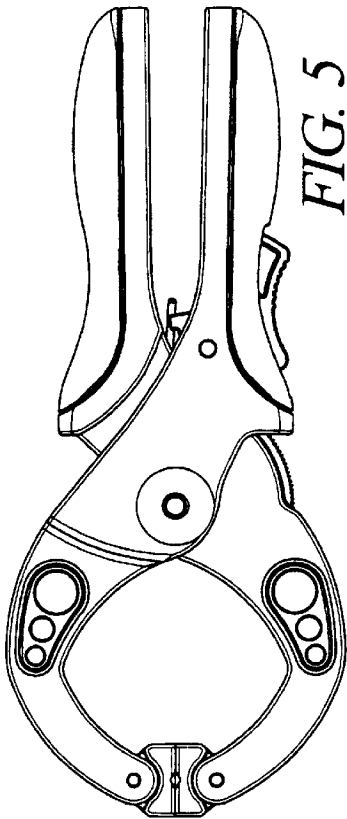
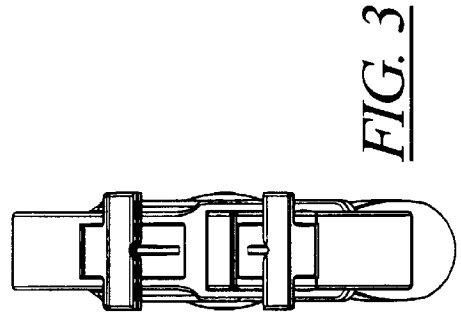
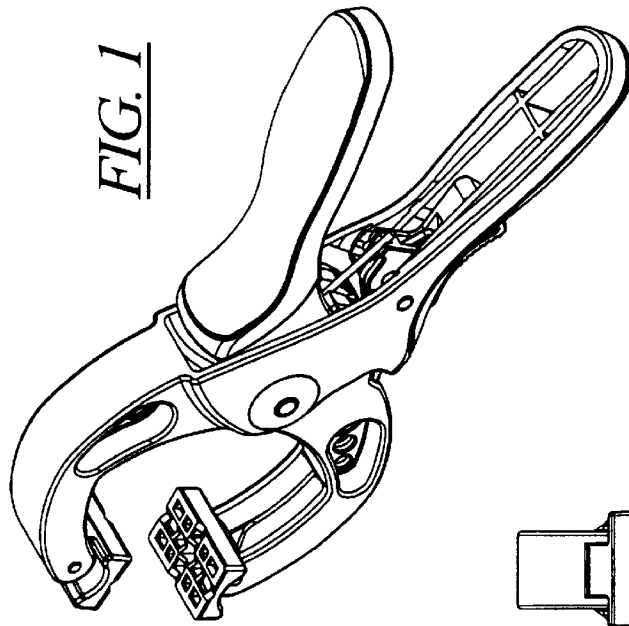


FIG. 2

