



US00D339028S

United States Patent [19]

[11] Patent Number: Des. 339,028

Bannigan

[45] Date of Patent: ** Sep. 7, 1993

[54] BASKET FOR A BEVERAGE MAKER

[75] Inventor: Francis R. Bannigan, Huntingdale, Australia

[73] Assignee: Kambrook Distributing Pty. Ltd., Australia

[**] Term: 14 Years

[21] Appl. No.: 714,763

[22] Filed: Jun. 12, 1991

[30] Foreign Application Priority Data

Dec. 13, 1990 [AU] Australia 4026/90
 [52] U.S. Cl. D7/400; D7/399
 [58] Field of Search D7/400, 309, 399, 310,
 D7/462, 305, 306, 307; 99/306, 323, 295, 299;
 210/500.23, 500.1, 477, 482, 481; D23/209;
 D32/53

[56] References Cited

U.S. PATENT DOCUMENTS

D. 241,402 9/1976 Painter D7/400
 D. 250,445 12/1978 Braun D7/400

D. 266,894 11/1982 Bersten D7/309 X
 D. 270,699 9/1983 Rakocy et al. D7/309
 1,574,021 2/1926 Bonell 99/295 X
 3,374,897 3/1968 Martin 99/306 X
 3,388,804 6/1968 Hester 210/477
 4,303,525 12/1981 Stover 99/306 X
 4,676,396 6/1987 Mamolou D7/400 X
 4,697,503 10/1987 Okabe et al. D7/400 X
 4,882,982 11/1989 Muttoni 99/295
 4,882,983 11/1989 Pastrick 99/299 X
 4,921,712 5/1990 Malmquist 99/306 X

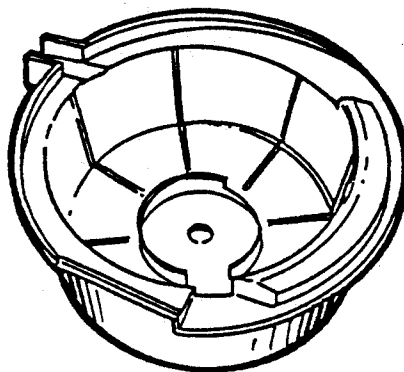
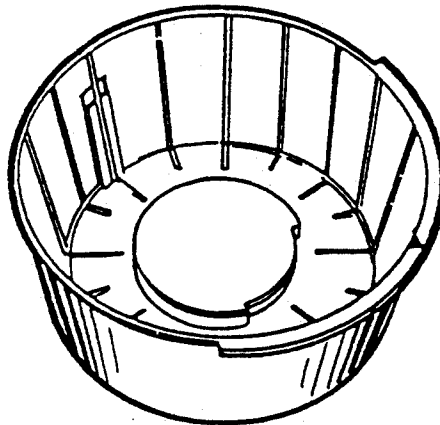
Primary Examiner—Alan P. Douglas
 Assistant Examiner—M. N. Pandozzi
 Attorney, Agent, or Firm—Andrus, Scales, Starke & Sawall

[57] CLAIM

The ornamental design for a basket for a beverage maker, as shown.

DESCRIPTION

FIG. 1 is a top perspective view of a basket for a beverage maker showing my new design;
 FIG. 2 is a bottom plan view thereof; and,
 FIG. 3 is a top perspective view thereof where the two parts are together as one unit.



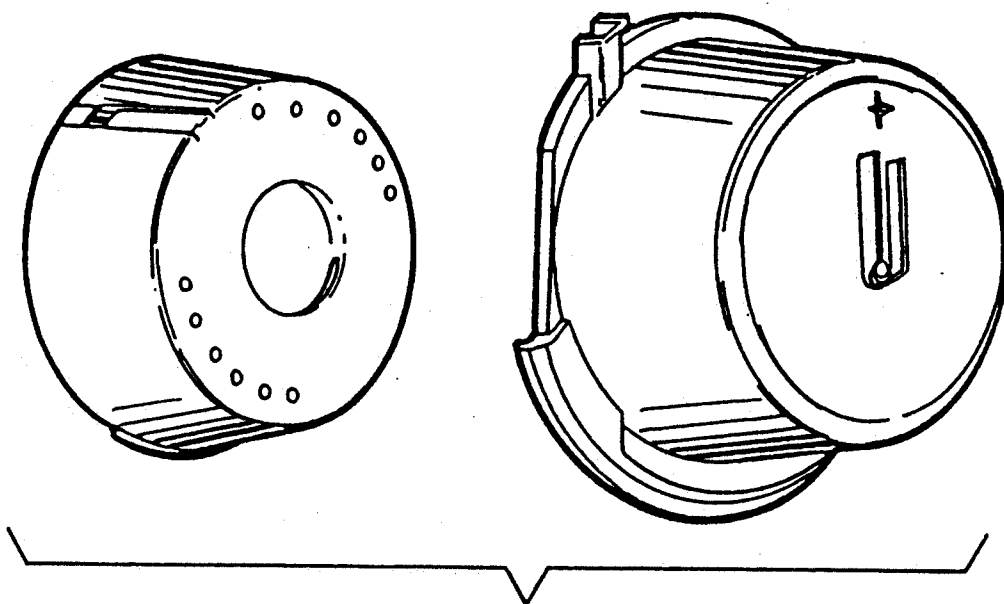


FIG. 2

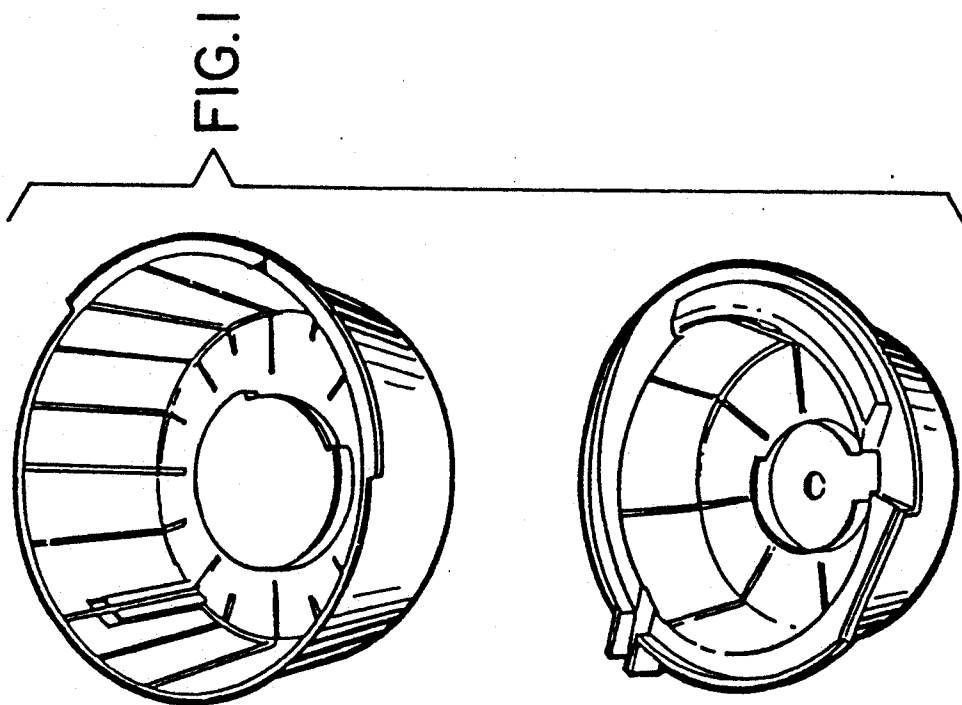


FIG. 1

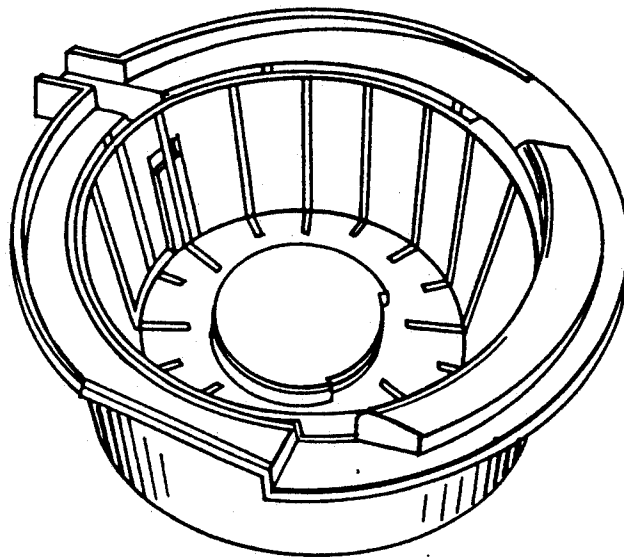


FIG. 3