

(19) World Intellectual Property Organization
International Bureau



(43) International Publication Date
29 May 2008 (29.05.2008)

PCT

(10) International Publication Number
WO 2008/064295 A3

- (51) **International Patent Classification:**
B65H 29/58 (2006.01)
- (21) **International Application Number:**
PCT/US2007/085356
- (22) **International Filing Date:**
21 November 2007 (21.11.2007)
- (25) **Filing Language:** English
- (26) **Publication Language:** English
- (30) **Priority Data:**
11/562,267 21 November 2006 (21.11.2006) US
- (71) **Applicant (for all designated States except US):** **DE LA RU HOLDINGS, PLC** [US/US]; 6401 Commerce Drive, Irving, TX 75063 (US).
- (72) **Inventors; and**
- (75) **Inventors/Applicants (for US only):** **EDWARDS, Jerry** [US/US]; 6316 Sandhurst Lane East, North Richland Hills, TX 76180 (US). **KAUZ, Kirk** [US/US]; 230 S. Macarthur Blvd. # 809, Copell, TX 75019 (US).
- (74) **Agent:** **O'HAGAN, Christopher, P.;** Carstens & Cahoon, LLP, P.O. Box 802334, Dallas, TX 75380 (US).
- (81) **Designated States (unless otherwise indicated, for every kind of national protection available):** AE, AG, AL, AM,

AT, AU, AZ, BA, BB, BG, BH, BR, BW, BY, BZ, CA, CH, CN, CO, CR, CU, CZ, DE, DK, DM, DO, DZ, EC, EE, EG, ES, FI, GB, GD, GE, GH, GM, GT, HN, HR, HU, ID, IL, IN, IS, JP, KE, KG, KM, KN, KP, KR, KZ, LA, LC, LK, LR, LS, LT, LU, LY, MA, MD, ME, MG, MK, MN, MW, MX, MY, MZ, NA, NG, NI, NO, NZ, OM, PG, PH, PL, PT, RO, RS, RU, SC, SD, SE, SG, SK, SL, SM, SV, SY, TJ, TM, TN, TR, TT, TZ, UA, UG, US, UZ, VC, VN, ZA, ZM, ZW

(84) **Designated States (unless otherwise indicated, for every kind of regional protection available):** ARIPO (BW, GH, GM, KE, LS, MW, MZ, NA, SD, SL, SZ, TZ, UG, ZM, ZW), Eurasian (AM, AZ, BY, KG, KZ, MD, RU, TJ, TM), European (AT, BE, BG, CH, CY, CZ, DE, DK, EE, ES, FI, FR, GB, GR, HU, IE, IS, IT, LT, LU, LV, MC, MT, NL, PL, PT, RO, SE, SI, SK, TR), OAPI (BF, BJ, CF, CG, CI, CM, GA, GN, GQ, GW, ML, MR, NE, SN, TD, TG).

Declarations under Rule 4.17:

- as to applicant's entitlement to apply for and be granted a patent (Rule 4.17(U))
- as to the applicant's entitlement to claim the priority of the earlier application (Rule 4.17(Ui))

Published:

- with international search report

[Continued on next page]

(54) **Title:** NOTE FACING APPARATUS FOR HIGH SPEED PROCESSING

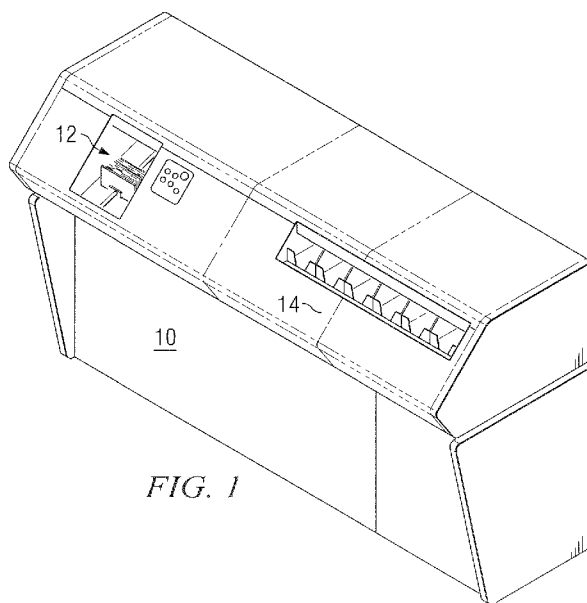


FIG. 1

(57) **Abstract:** The present invention provides an apparatus for facing documents during high speed processing. The present invention employs at least one sensor to scan the documents individually as they are fed sequentially through a processing machine. The sensor determines the direction the documents are facing. Depending on the direction the documents are facing, a path selector directs the documents to one of two equal length paths within the processing machine. If a document is facing up, the path selector directs the document along a first path that leads directly to a collection point. If a document is facing down, the path selector directs the document along a second path that includes a twisted conveyor belt which turns the document about the longitudinal axis to face up.

WO 2008/064295 A3



— *before the expiration of the time limit for amending the claims and to be republished in the event of receipt of amendments*

(88) Date of publication of the international search report:
24 July 2008

INTERNATIONAL SEARCH REPORT

International application No.

PCT/US07/85356

A CLASSIFICATION OF SUBJECT MATTER IPC(8) - B07C 1/06 (2008.04) USPC - 271/8.1 According to International Patent Classification (IPC) or to both national classification and IPC		
B FIELDS SEARCHED Minimum documentation searched (classification system followed by classification symbols) IPC(8) - B07C 1/06; G03G 15/22 (2008.04) USPC - 209/539; 271/8.1, 65; 399/130 Documentation searched other than minimum documentation to the extent that such documents are included in the fields searched Electronic data base consulted during the international search (name of data base and, where practicable, search terms used) USPTO EAST System (US, USPG-PUB, EPO, DERWENT)		
C DOCUMENTS CONSIDERED TO BE RELEVANT		
Category*	Citation of document, with indication, where appropriate, of the relevant passages	Relevant to claim No
X	US 4,968,419 A (KARALUS β t al) 06 November 1990 (06.11.1990) entire document	1-3, 5-9, 11, 12
-		-----
Y		4, 10
Y	US 2003/0025266 A1 (STEVENS) 06 February 2003 (06.02.2003) entire document	4, 10
<u> </u> <u> </u> Further documents are listed in the continuation of Box C. <u> </u> <u> </u>		
* Special categories of cited documents	"T" later document published after the international filing date or priority date and not in conflict with the application but cited to understand the principle or theory underlying the invention	
"A" document defining the general state of the art which is not considered to be of particular relevance	"X" document of particular relevance, the claimed invention cannot be considered novel or cannot be considered to involve an inventive step when the document is taken alone	
"E" earlier application or patent but published on or after the international filing date	"Y" document of particular relevance, the claimed invention cannot be considered to involve an inventive step when the document is combined with one or more other such documents, such combination being obvious to a person skilled in the art	
"L" document which may throw doubts on priority claim(s) or which is cited to establish the publication date of another citation or other special reason (as specified)	"&" document member of the same patent family	
"O" <i>document</i> referring to an oral disclosure, use, exhibition or other means		
"P" document published prior to the international filing date but later than the priority date claimed		
Date of the actual completion of the international search	Date of mailing of the international search report	
24 April 2008	16 MAY 2008	
Name and mailing address of the ISA/US Mail Stop PCT, Attn: ISA/US, Commissioner for Patents P.O. Box 1450, Alexandria, Virginia 22313-1450 Facsimile No. 571-273-3201	Authorized officer Blaine R. Copenheaver PCT Helpdesk. 571-272-4300 PCT OSP 571-272-7774	