

(19) World Intellectual Property Organization
International Bureau



(43) International Publication Date
10 December 2009 (10.12.2009)

(10) International Publication Number
WO 2009/147072 A3

(51) International Patent Classification:

E21B 10/66 (2006.01) *E21B 10/633* (2006.01)
E21B 10/48 (2006.01) *E21B 23/02* (2006.01)

(21) International Application Number:

PCT/EP2009/056568

(22) International Filing Date:

28 May 2009 (28.05.2009)

(25) Filing Language:

English

(26) Publication Language:

English

(30) Priority Data:

08157395.8 2 June 2008 (02.06.2008) EP

(71) Applicant (for all designated States except US): **SHELL INTERNATIONAL RESEARCH MAATSCHAPPIJ B.V.** [NL/NL]; Carel van Bylandtlaan 30, NL-2596 HR The Hague (NL).

(72) Inventor; and

(75) Inventor/Applicant (for US only): **RUNIA, Douwe, Johannes** [NL/NL]; Kesslerpark 1, NL-2288 GS Rijswijk (NL).

(74) Agent: **MATTHEZING, Robert, Maarten**; PO Box 384, NL-2501 CJ The Hague (NL).

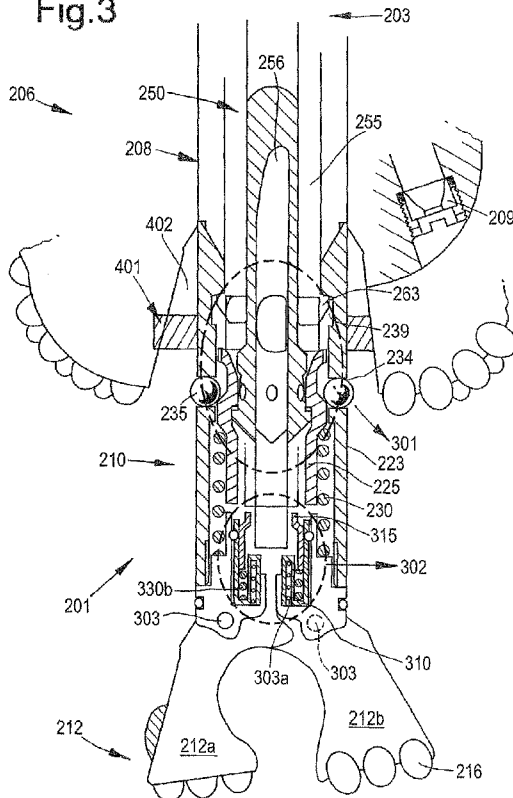
(81) Designated States (unless otherwise indicated, for every kind of national protection available): AE, AG, AL, AM, AO, AT, AU, AZ, BA, BB, BG, BH, BR, BW, BY, BZ, CA, CH, CN, CO, CR, CU, CZ, DE, DK, DM, DO, DZ, EC, EE, EG, ES, FI, GB, GD, GE, GH, GM, GT, HN, HR, HU, ID, IL, IN, IS, JP, KE, KG, KM, KN, KP, KR, KZ, LA, LC, LK, LR, LS, LT, LU, LY, MA, MD, ME, MG, MK, MN, MW, MX, MY, MZ, NA, NG, NI, NO, NZ, OM, PG, PH, PL, PT, RO, RS, RU, SC, SD, SE, SG, SK, SL, SM, ST, SV, SY, TJ, TM, TN, TR, TT, TZ, UA, UG, US, UZ, VC, VN, ZA, ZM, ZW.

(84) Designated States (unless otherwise indicated, for every kind of regional protection available): ARIPO (BW, GH, GM, KE, LS, MW, MZ, NA, SD, SL, SZ, TZ, UG, ZM, ZW), Eurasian (AM, AZ, BY, KG, KZ, MD, RU, TJ, TM), European (AT, BE, BG, CH, CY, CZ, DE, DK, EE, ES, FI, FR, GB, GR, HR, HU, IE, IS, IT, LT, LU, LV, MC, MK, MT, NL, NO, PL, PT, RO, SE, SI, SK, TR),

[Continued on next page]

(54) Title: DRILL BIT AND METHOD FOR INSERTING, EXPANDING, COLLAPSING, AND RETRIEVING DRILL BIT

Fig.3



(57) Abstract: A drill bit comprising a bit body connectable to a drill string at a first end, which bit body is provided with a longitudinal passageway extending from an opening at the first end to a port at a second end a closure element for closing the passageway, when the closure element is in a closing position, which closure element is removable, and wherein the closure element comprises a first and a second member which are movable relative to each other between an expanded configuration and a collapsed configuration, in which collapsed configuration, the closure element is retractable through the passageway to the first end.

WO 2009/147072 A3



OAPI (BF, BJ, CF, CG, CI, CM, GA, GN, GQ, GW, ML,
MR, NE, SN, TD, TG).

— *before the expiration of the time limit for amending the
claims and to be republished in the event of receipt of
amendments (Rule 48.2(h))*

Published:

— *with international search report (Art. 21(3))*

(88) Date of publication of the international search report:

3 November 2011

INTERNATIONAL SEARCH REPORT

International application No PCT/EP2009/056568

A. CLASSIFICATION OF SUBJECT MATTER
 INV. E21B10/66 E21B10/48 E21B10/633 E21B23/02
 ADD.

According to International Patent Classification (IPC) or to both national classification and IPC

B. FIELDS SEARCHED

Minimum documentation searched (classification system followed by classification symbols)
 E21B

Documentation searched other than minimum documentation to the extent that such documents are included in the fields searched

Electronic data base consulted during the international search (name of data base and, where practical, search terms used)

EPO-Internal

C. DOCUMENTS CONSIDERED TO BE RELEVANT

Category*	Citation of document, with indication, where appropriate, of the relevant passages	Relevant to claim No.
X	US 4 384 627 A (RAMIREZ-JAUREGUI) 24 May 1983 (1983-05-24) column 5, line 14 - line 39 -----	1,3,5,6, 10 7,8,11
Y	-----	-----
X	US 2006/021801 A1 (HUGHES) 2 February 2006 (2006-02-02) paragraphs [0011], [0017] -----	1,3, 13-15,54
X	US 4 760 888 A (SAITO) 2 August 1988 (1988-08-02) column 7, line 60 - column 8, line 25 -----	1 11
Y	-----	-----
Y	US 7 287 609 B2 (RUNIA ET AL.) 30 October 2007 (2007-10-30) cited in the application figure 4 -----	7
	----- -/--	

Further documents are listed in the continuation of Box C.

See patent family annex.

* Special categories of cited documents :

- "A" document defining the general state of the art which is not considered to be of particular relevance
- "E" earlier document but published on or after the international filing date
- "L" document which may throw doubts on priority claim(s) or which is cited to establish the publication date of another citation or other special reason (as specified)
- "O" document referring to an oral disclosure, use, exhibition or other means
- "P" document published prior to the international filing date but later than the priority date claimed

- "T" later document published after the international filing date or priority date and not in conflict with the application but cited to understand the principle or theory underlying the invention
- "X" document of particular relevance; the claimed invention cannot be considered novel or cannot be considered to involve an inventive step when the document is taken alone
- "Y" document of particular relevance; the claimed invention cannot be considered to involve an inventive step when the document is combined with one or more other such documents, such combination being obvious to a person skilled in the art.
- "&" document member of the same patent family

Date of the actual completion of the international search

7 September 2011

Date of mailing of the international search report

14/09/2011

Name and mailing address of the ISA/

European Patent Office, P.B. 5818 Patentlaan 2
 NL - 2280 HV Rijswijk
 Tel. (+31-70) 340-2040,
 Fax: (+31-70) 340-3016

Authorized officer

Rampelmann, Klaus

INTERNATIONAL SEARCH REPORT

International application No PCT/EP2009/056568

C(Continuation). DOCUMENTS CONSIDERED TO BE RELEVANT

Category*	Citation of document, with indication, where appropriate, of the relevant passages	Relevant to claim No.
Y	US 4 023 620 A (GAZDA ET AL.) 17 May 1977 (1977-05-17) column 5, line 32 - column 6, line 19; figures 7,9 -----	8
X	US 3 409 081 A (BROWN) 5 November 1968 (1968-11-05) the whole document -----	13-15

INTERNATIONAL SEARCH REPORT

Information on patent family members

International application No
PCT/EP2009/056568

Patent document cited in search report	Publication date	Patent family member(s)	Publication date
US 4384627	A	24-05-1983 MX 153352 A	01-10-1986
US 2006021801	A1	02-02-2006 NONE	
US 4760888	A	02-08-1988 CN 86107578 A	21-10-1987
US 7287609	B2	30-10-2007 US 2004118611 A1	24-06-2004
US 4023620	A	17-05-1977 NONE	
US 3409081	A	05-11-1968 NONE	