



US00D587494S

(12) **United States Design Patent**
Cramer

(10) **Patent No.:** **US D587,494 S**

(45) **Date of Patent:** **** Mar. 3, 2009**

(54) **EQUIPMENT CABINET**

(75) Inventor: **E. Daniel Cramer**, Minneapolis, MN (US)

(73) Assignee: **Milestone AV Technologies LLC**, Savage, MN (US)

(**) Term: **14 Years**

(21) Appl. No.: **29/303,975**

(22) Filed: **Feb. 21, 2008**

(51) **LOC (9) Cl.** **06-04**

(52) **U.S. Cl.** **D6/470**

(58) **Field of Classification Search** D6/432,
D6/436-448, 460, 461, 630, 631, 470-472,
D6/374, 477-479; 312/7.2, 9.1, 9.3, 102,
312/107, 117, 114, 119, 122, 138.1, 204;
108/59, 91, 92

See application file for complete search history.

(56) **References Cited**

U.S. PATENT DOCUMENTS

839,639 A *	12/1906	Pulfer	312/114
845,652 A *	2/1907	Berge	312/114
2,087,904 A *	7/1937	Flood	312/114
D126,207 S *	4/1941	Johnson et al.	D6/470
D152,330 S	1/1949	Dillon		
D305,186 S *	12/1989	Bush et al.	D6/436
D335,051 S	4/1993	Ossip		
D342,172 S	12/1993	Schönhofen		
D365,472 S	12/1995	Rehnberg		
D371,919 S	7/1996	Konecny		
D373,692 S *	9/1996	Staeger	D6/470
D381,842 S	8/1997	Herbst		

D405,630 S	2/1999	Wohlford		
D499,582 S *	12/2004	McDiarmid	D6/470
D515,849 S *	2/2006	Niu	D6/479
D562,597 S *	2/2008	Weatherly	D6/479

OTHER PUBLICATIONS

U.S. Appl. No. 29/303,974, filed Feb. 21, 2008, E. Daniel Cramer.

* cited by examiner

Primary Examiner—Mimosa De

(74) *Attorney, Agent, or Firm*—Patterson, Thuente, Skaar & Christensen PA

(57) **CLAIM**

The ornamental design for an equipment cabinet, as shown and described.

DESCRIPTION

FIG. 1 is a front perspective view of an equipment cabinet according to the invention;

FIG. 2 is a front elevation view of the equipment cabinet depicted in FIG. 1;

FIG. 3 is a side elevation view of the equipment cabinet depicted in FIG. 1;

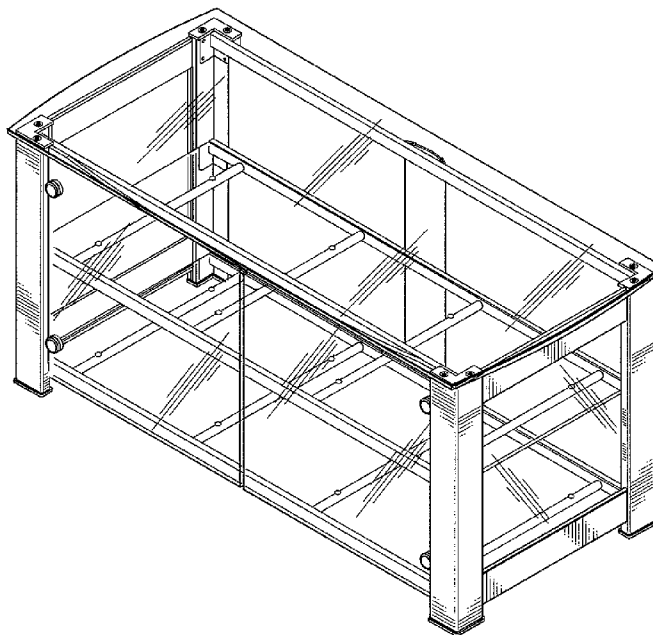
FIG. 4 is a rear elevation view of the equipment cabinet depicted in FIG. 1;

FIG. 5 is top plan view of the equipment cabinet depicted in FIG. 1; and,

FIG. 6 is a bottom plan view of the equipment cabinet depicted in FIG. 1.

Although not depicted, the opposing side elevation view is a mirror image of the view of FIG. 3.

1 Claim, 6 Drawing Sheets



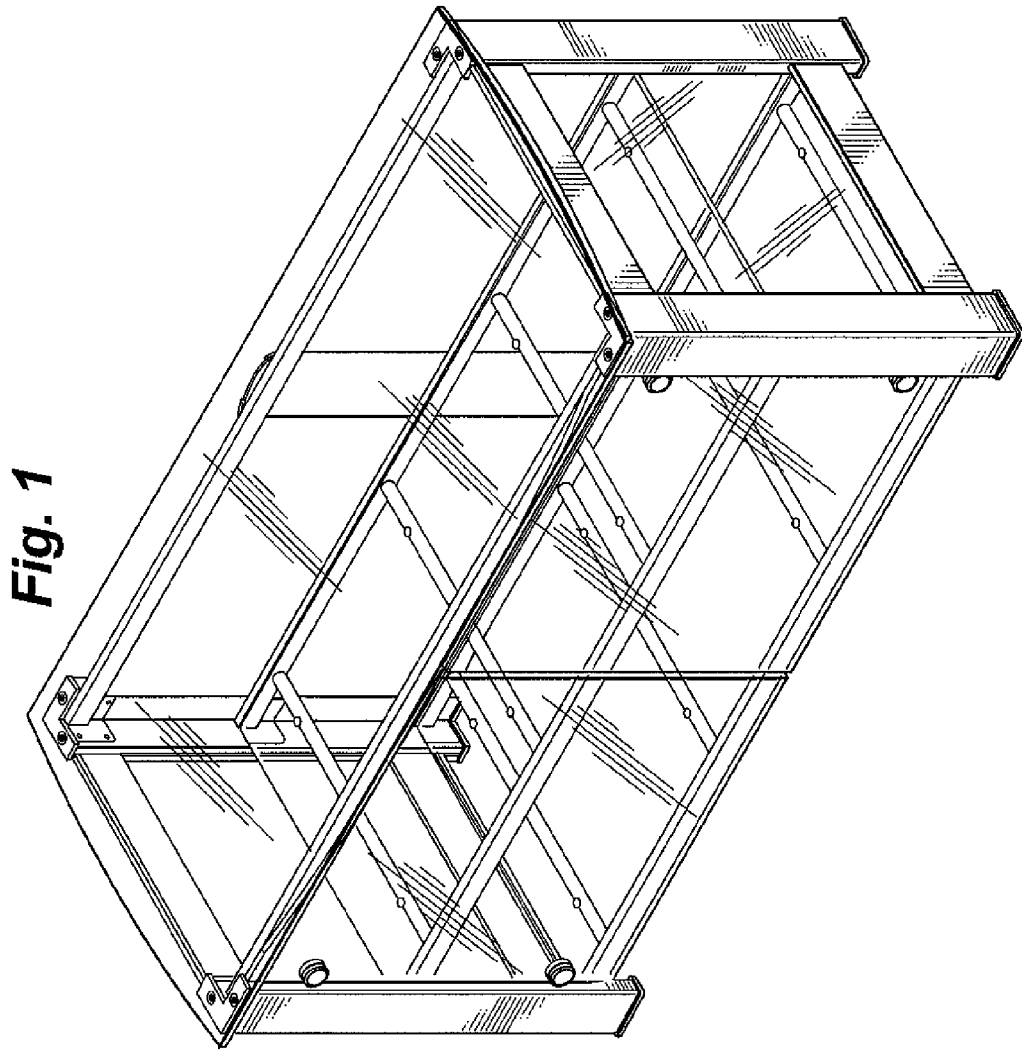


Fig. 2

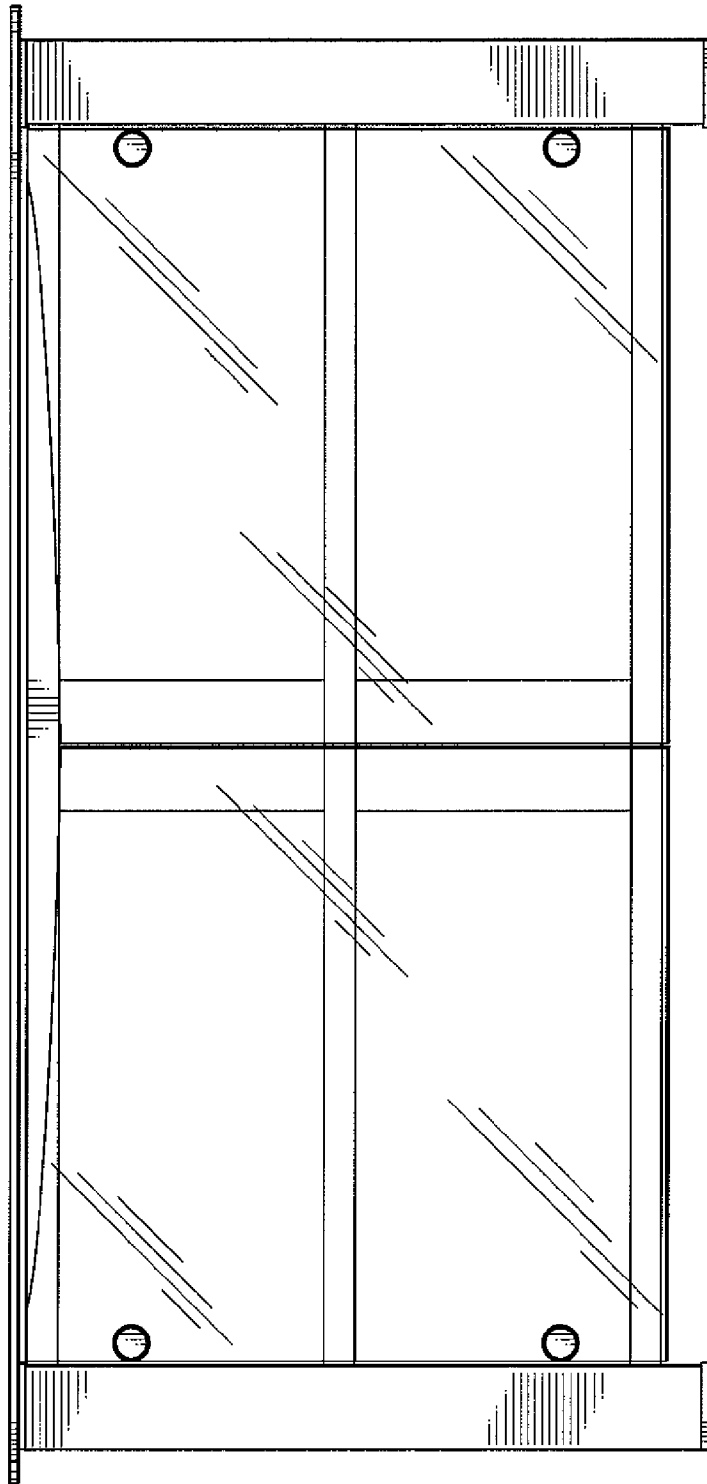


Fig. 3

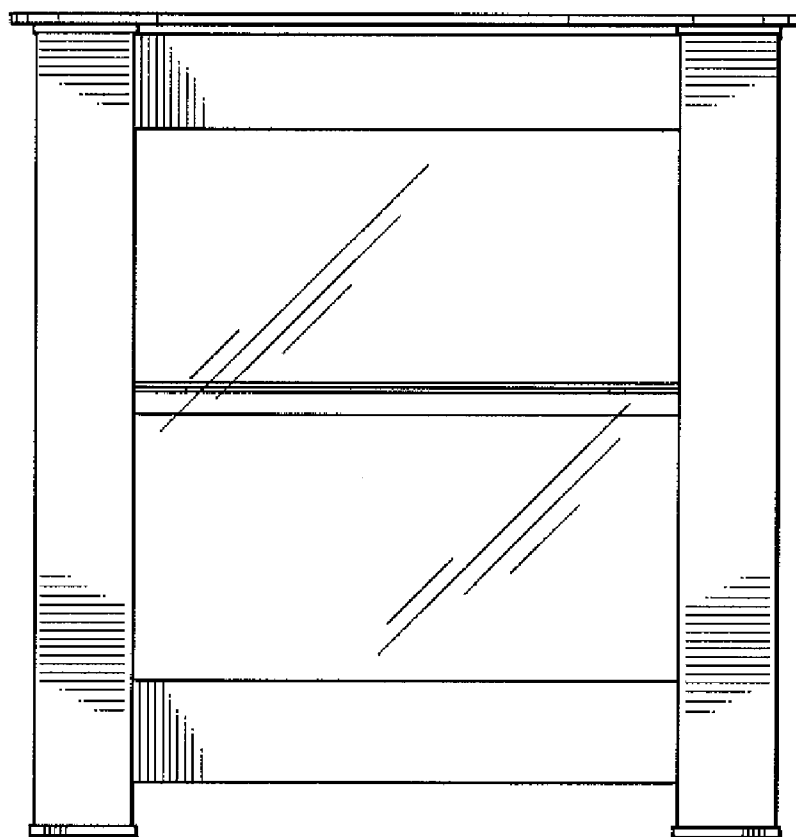


Fig. 4

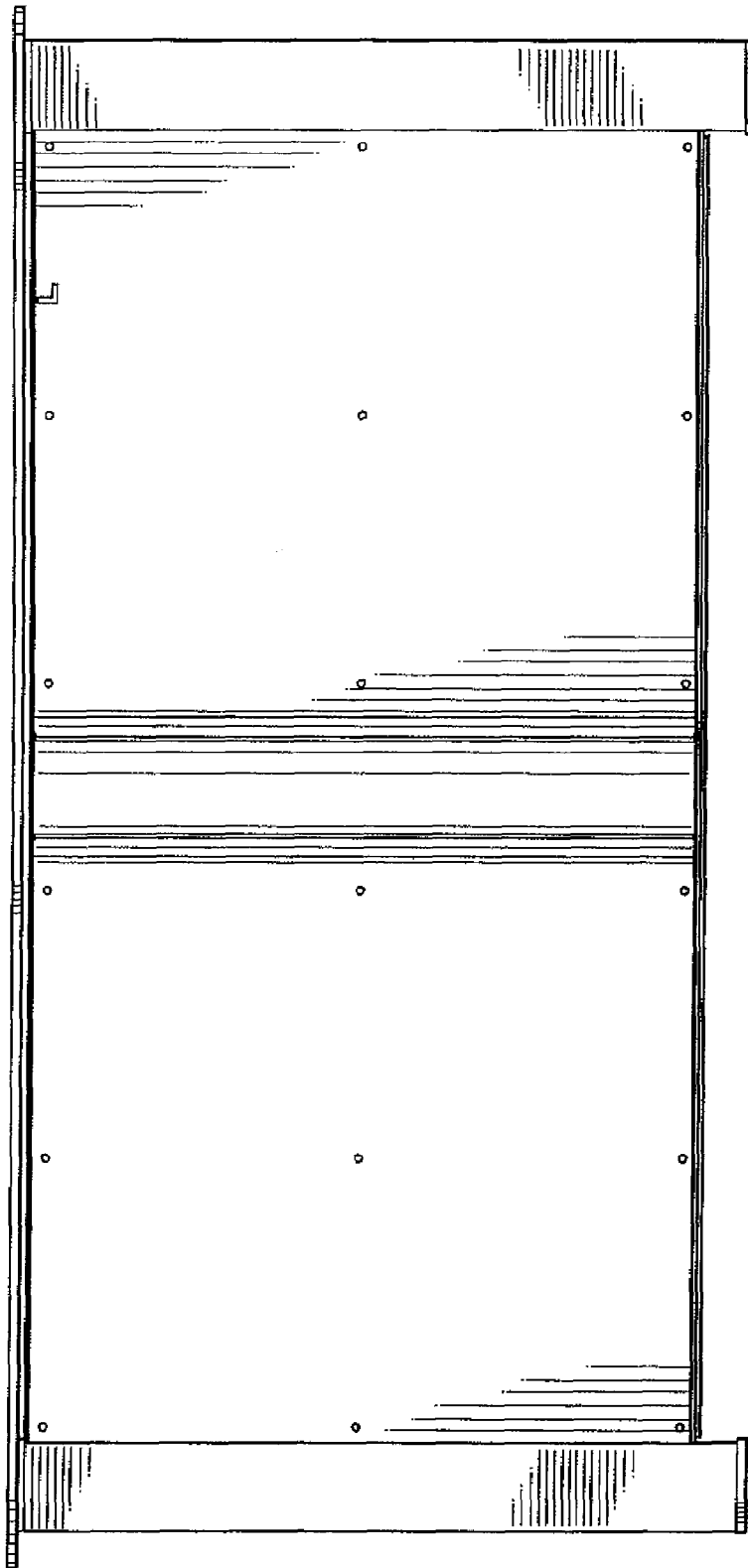


Fig. 5

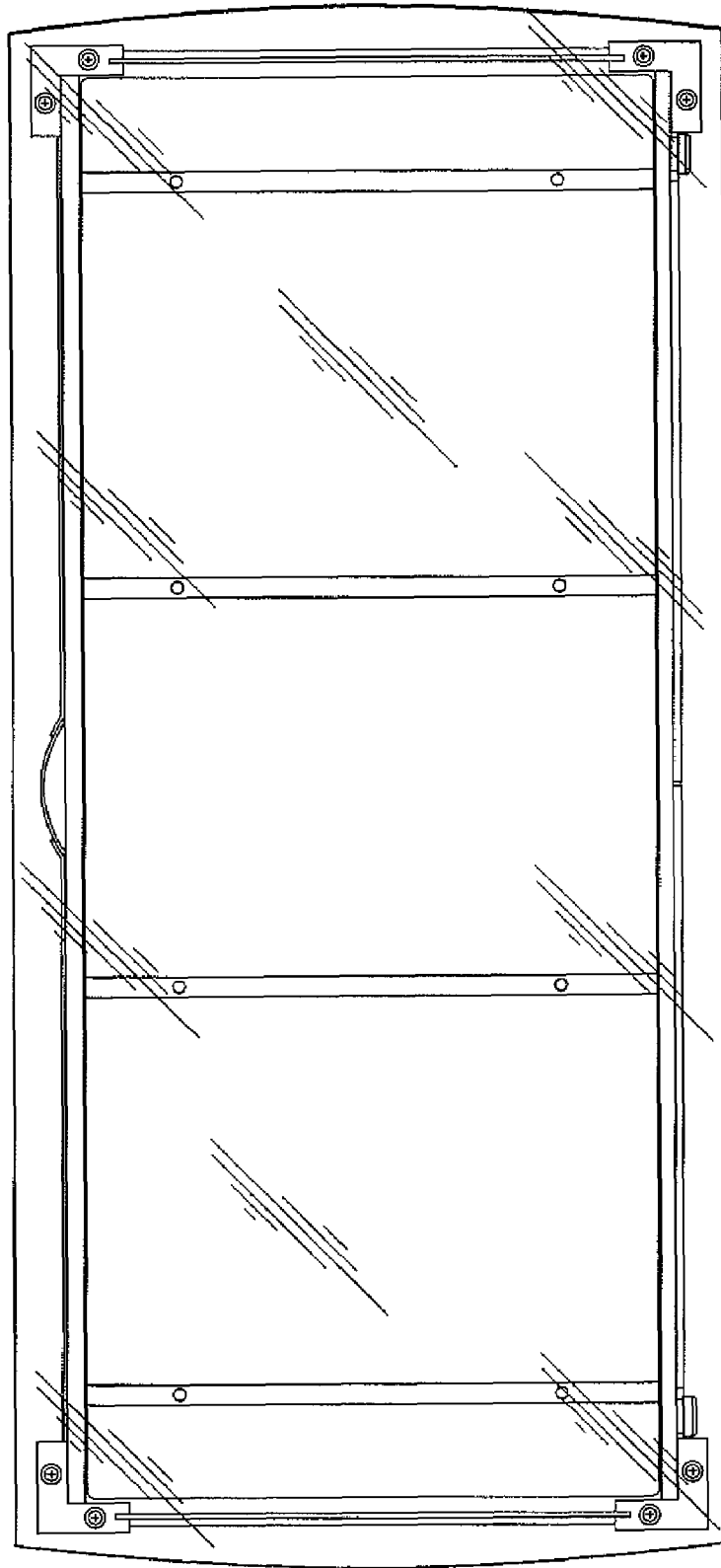


Fig. 6

