



US0D1044481S

(12) **United States Design Patent**  
**You**

(10) **Patent No.:** **US D1,044,481 S**

(45) **Date of Patent:** **\*\* Oct. 1, 2024**

(54) **GARDEN HOSE REEL COVER**

OTHER PUBLICATIONS

(71) Applicant: **Ganzhou Kabaman Electronic Commerce Co., Ltd., Jiangxi (CN)**

Aaaspark Veranda Hose Reel Cover, Amazon, Nov. 17, 2020, <https://www.amazon.com/Aaaspark-Veranda-Standing-Portable-Protect/dp/B08N4CMYMP> (Year: 2020).\*

(72) Inventor: **Daozheng You, Jiangxi (CN)**

\* cited by examiner

(73) Assignee: **Ganzhou Kabaman Electronic Commerce Co., Ltd., Jiangxi (CN)**

*Primary Examiner* — Karen S Acker  
*Assistant Examiner* — Elizabeth Sun Ko

(\*\*) Term: **15 Years**

(74) *Attorney, Agent, or Firm* — ScienBiziP, P.C.

(21) Appl. No.: **29/808,439**

(57) **CLAIM**

(22) Filed: **Sep. 20, 2021**

The ornamental design for a garden hose reel cover, as shown and described.

(51) **LOC (14) Cl.** ..... **09-06**

**DESCRIPTION**

(52) **U.S. Cl.** ..... **D8/356**  
USPC ..... **D8/356**

(58) **Field of Classification Search**

USPC ..... D8/60–62, 67, 70–74, 359–360.1, D8/354–358  
CPC ..... A01G 13/0243; B65H 75/366; B65H 2701/332; B65H 2701/533  
See application file for complete search history.

FIG. 1 is a front, right, and top perspective view of a garden hose reel cover, showing my design.  
FIG. 2 is a front elevation view thereof.  
FIG. 3 is a rear elevation view thereof.  
FIG. 4 is a left side elevation view thereof.  
FIG. 5 is a right side elevation view thereof.  
FIG. 6 is a top plan view thereof.  
FIG. 7 is a bottom plan view thereof; and,  
FIG. 8 is a partial enlarged view of an area 8 circumscribed in FIG. 1 showing the drawstring part of the garden hose reel cover.

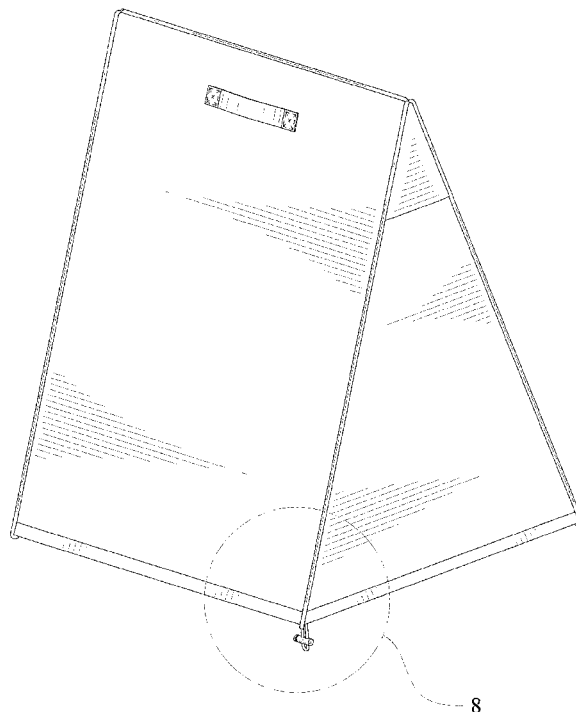
(56) **References Cited**

U.S. PATENT DOCUMENTS

D871,196 S *	12/2019	Schweiss	.....	D8/356
D951,071 S *	5/2022	Kosturko	.....	D8/358
D972,507 S *	12/2022	Shao	.....	D8/358
D994,464 S *	8/2023	Cross	.....	D8/354
D1,000,943 S *	10/2023	Cross	.....	D8/356
D1,002,337 S *	10/2023	Flusche	.....	D8/354
D1,002,340 S *	10/2023	Hopkins	.....	D8/356
D1,002,623 S *	10/2023	Keaton	.....	D13/184

The evenly spaced broken lines in the drawings depict portions of the garden hose reel cover that form no part of the claimed design. The dot dash broken lines in FIGS. 1 and 8 denote the boundary of the detail view area and form no part of the claimed design.

**1 Claim, 8 Drawing Sheets**



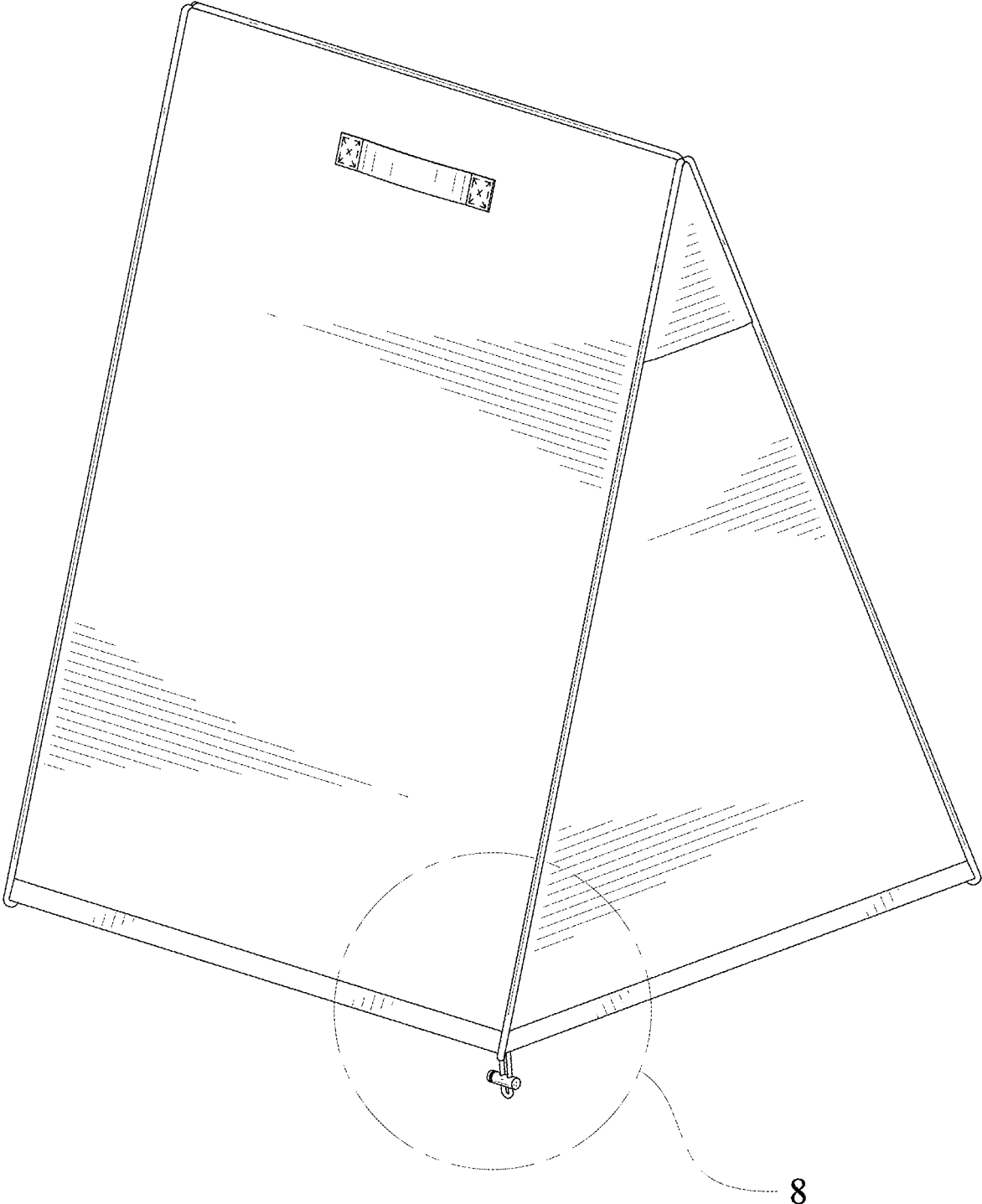


FIG. 1

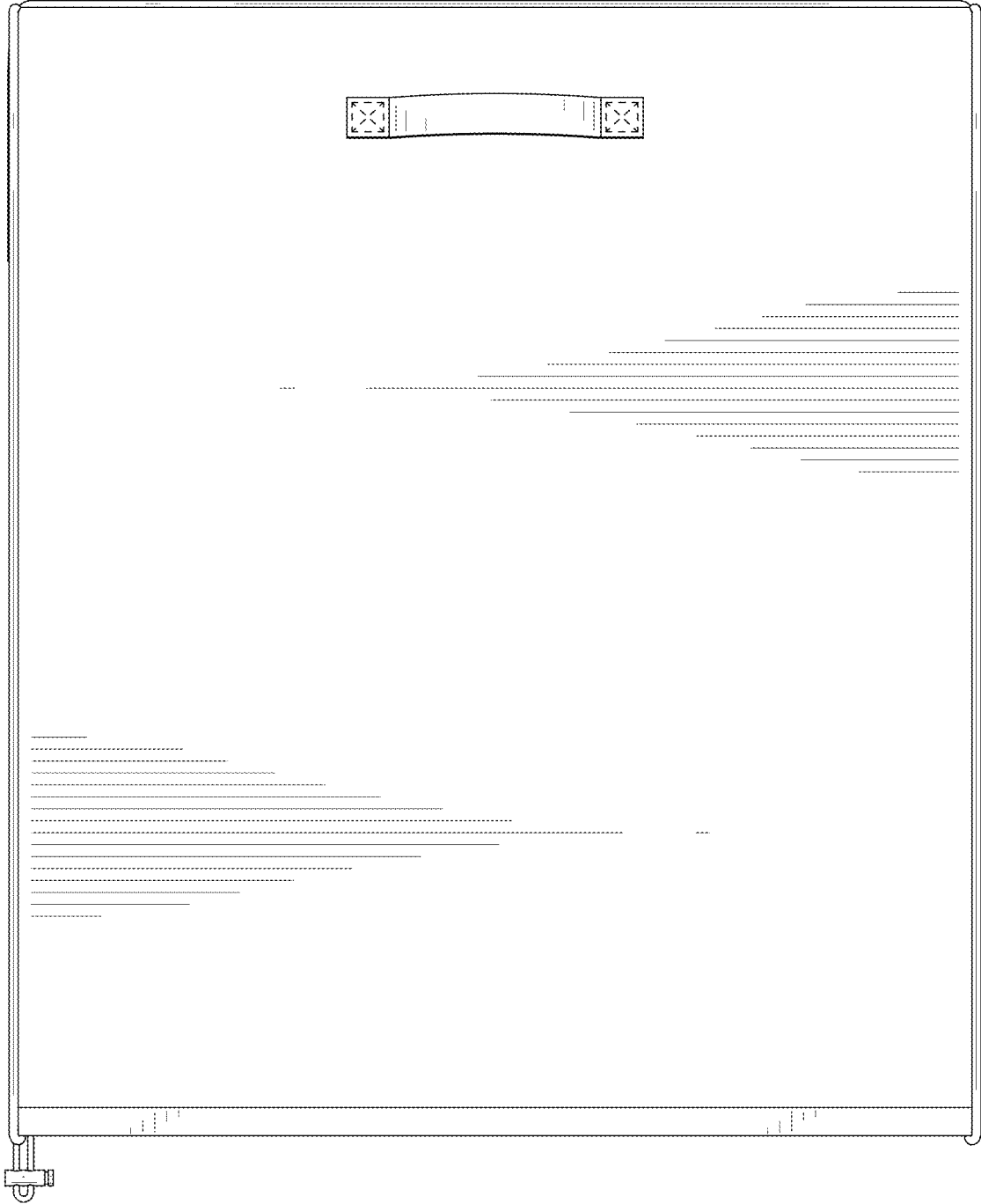


FIG. 2

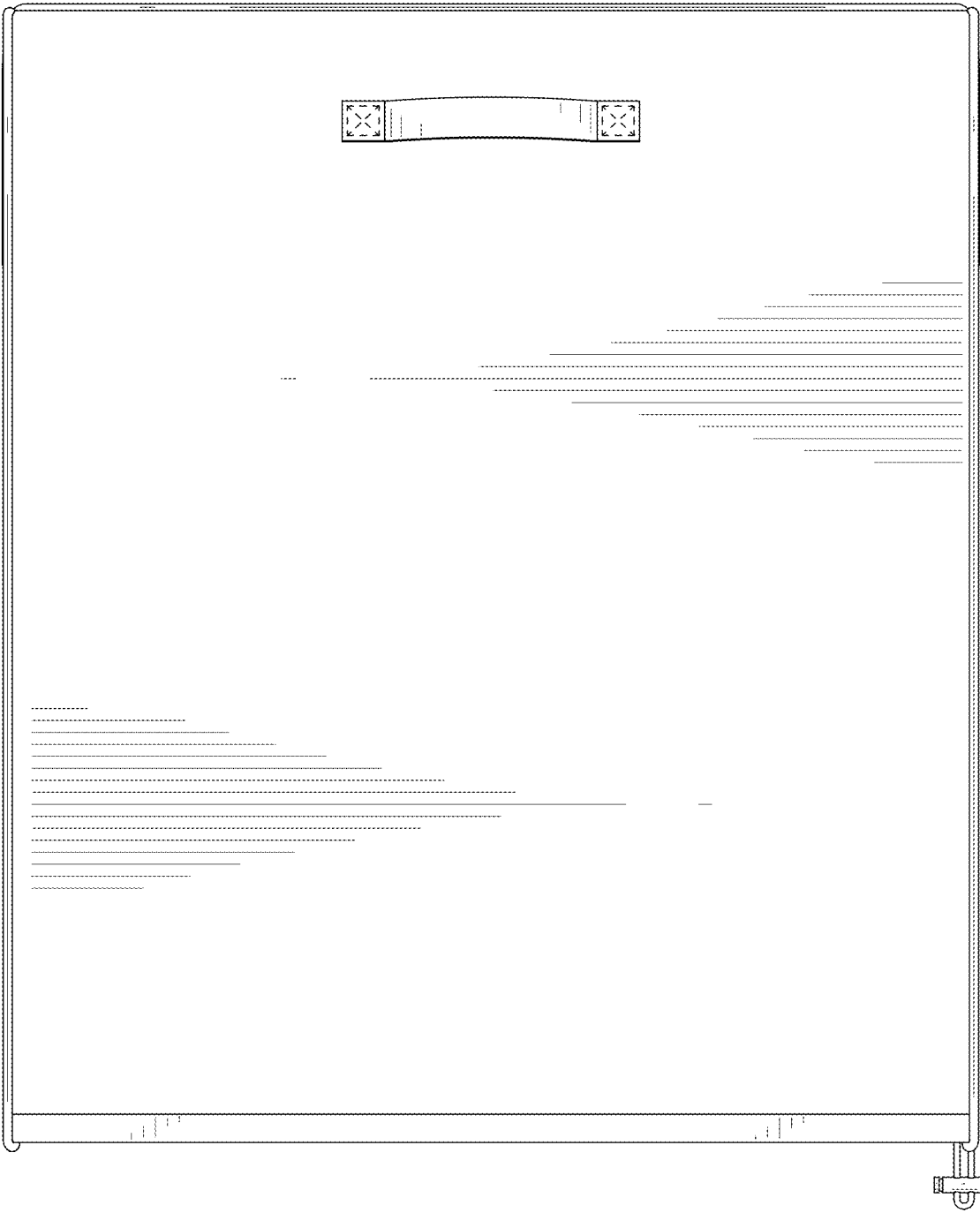


FIG. 3

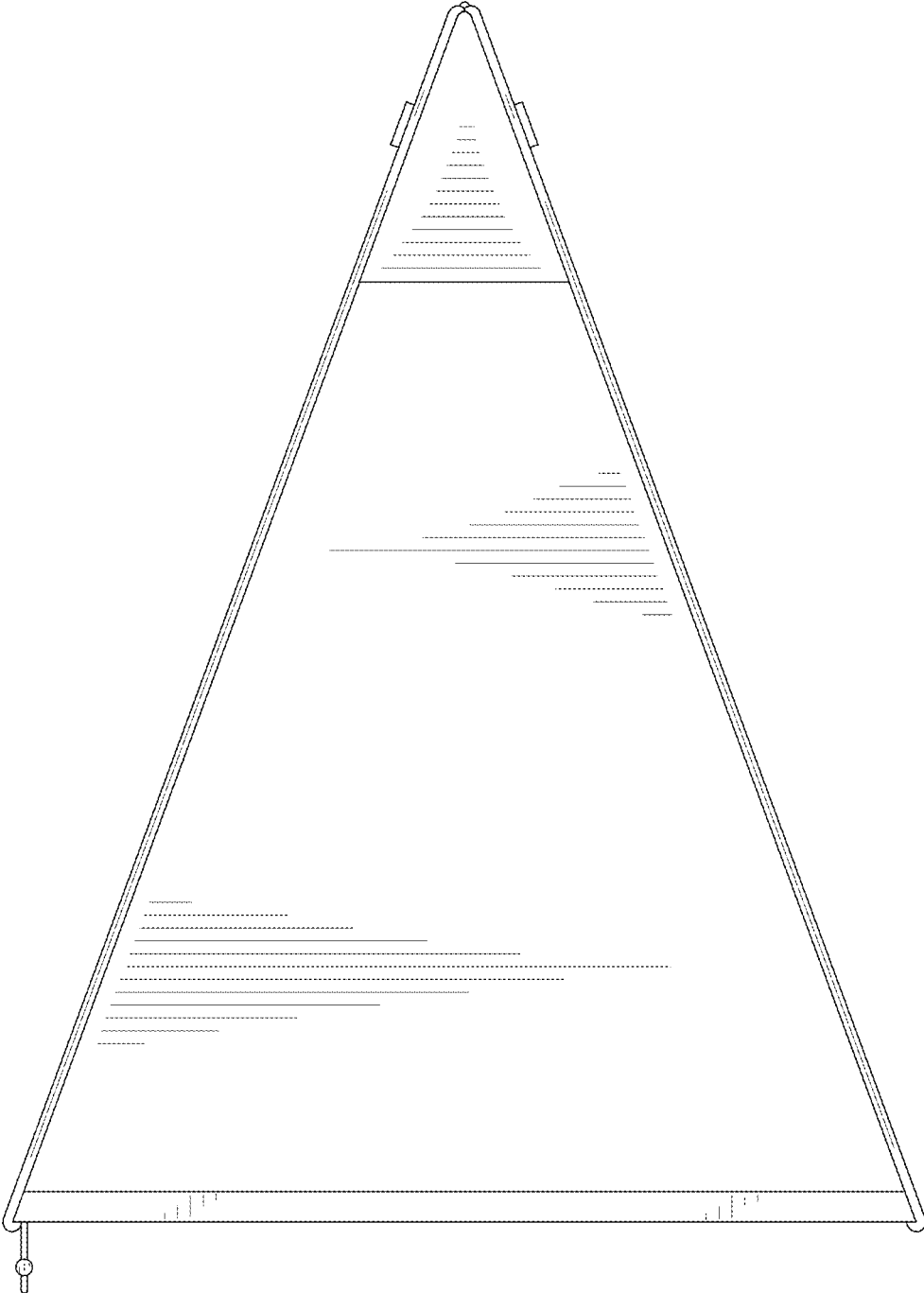


FIG. 4

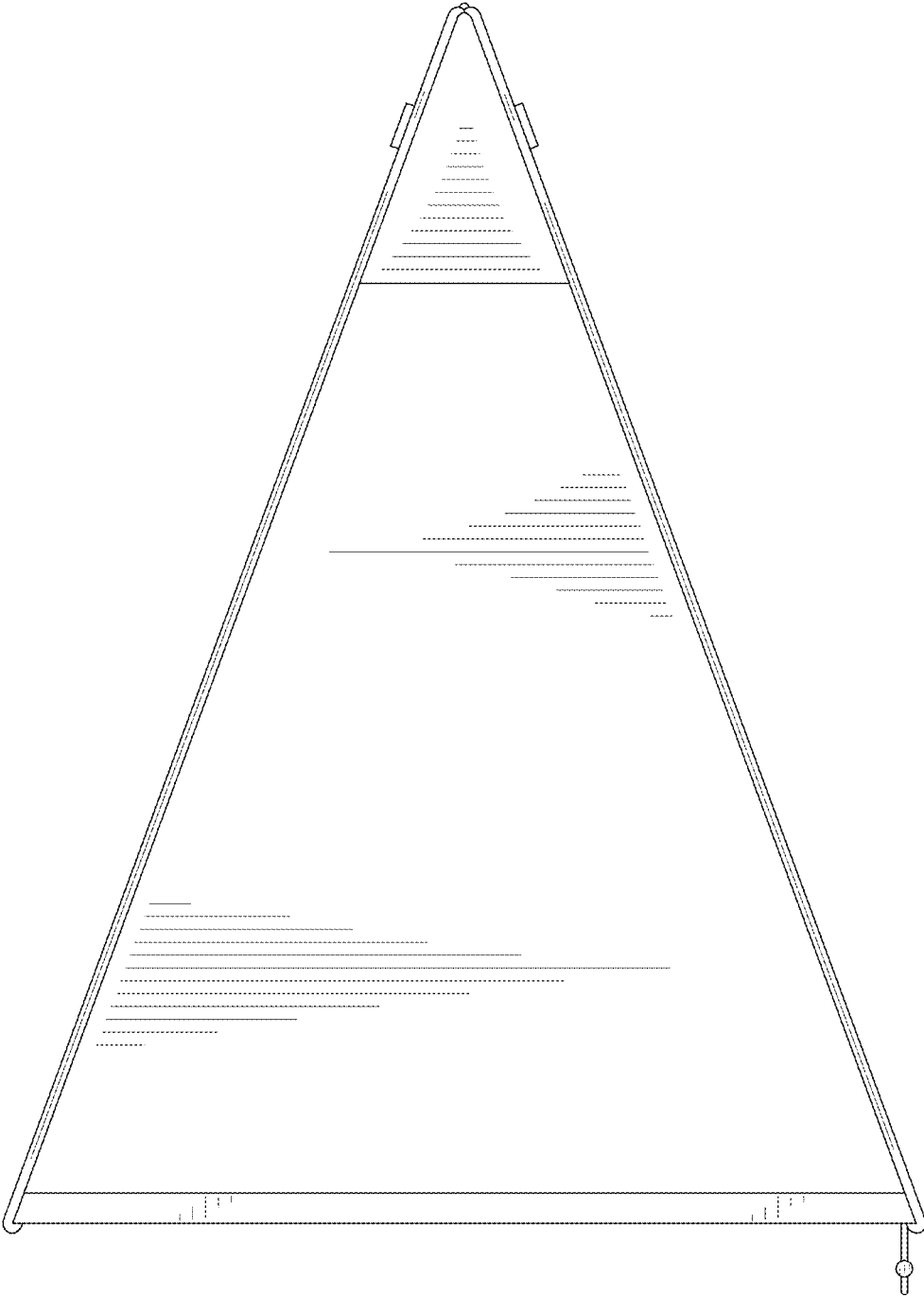


FIG. 5

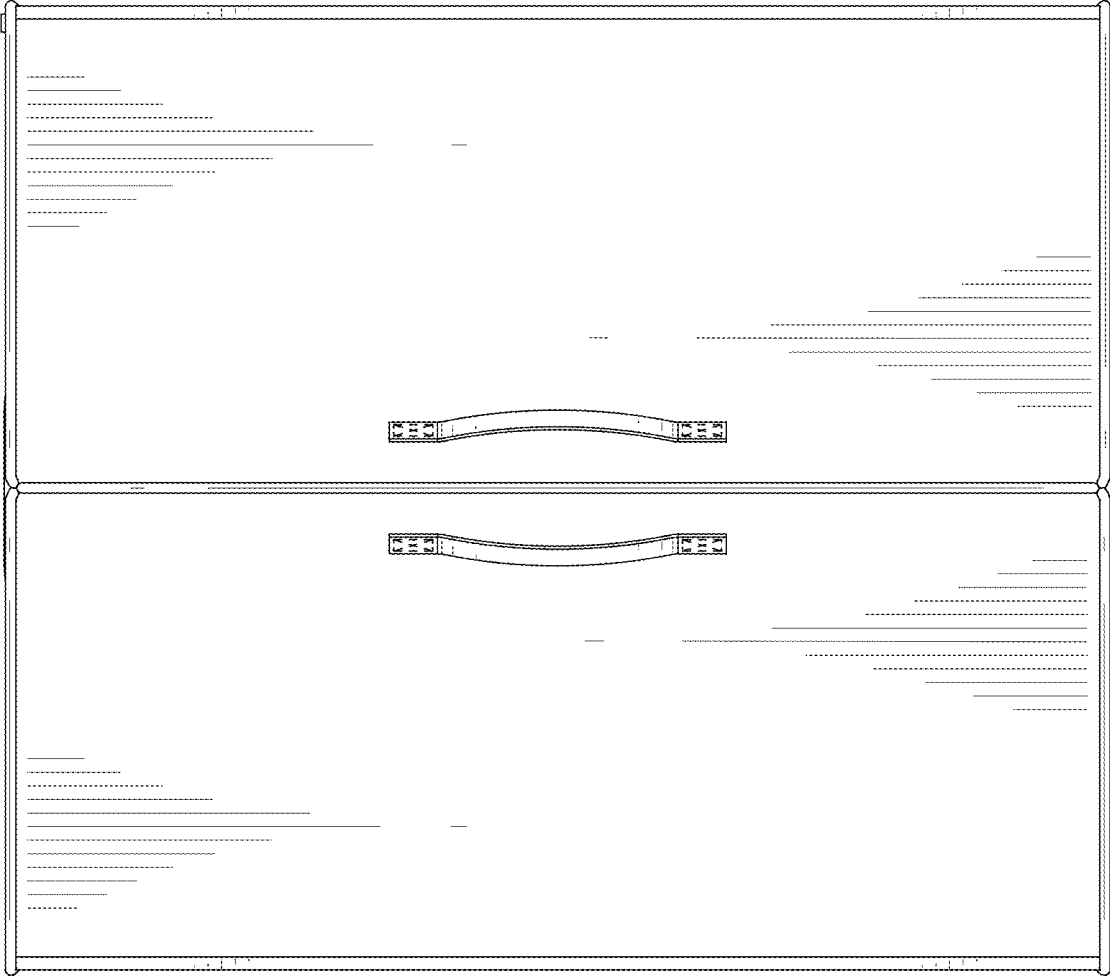


FIG. 6

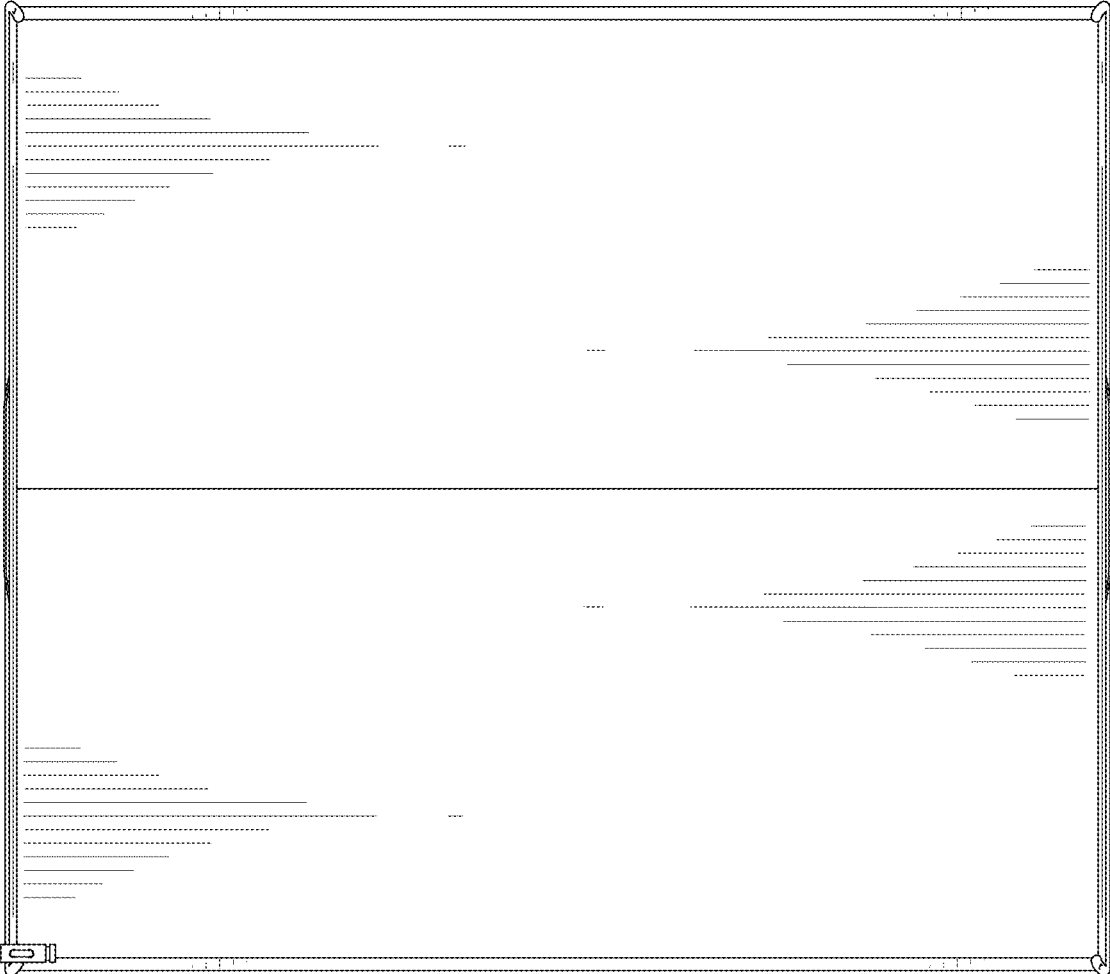


FIG. 7

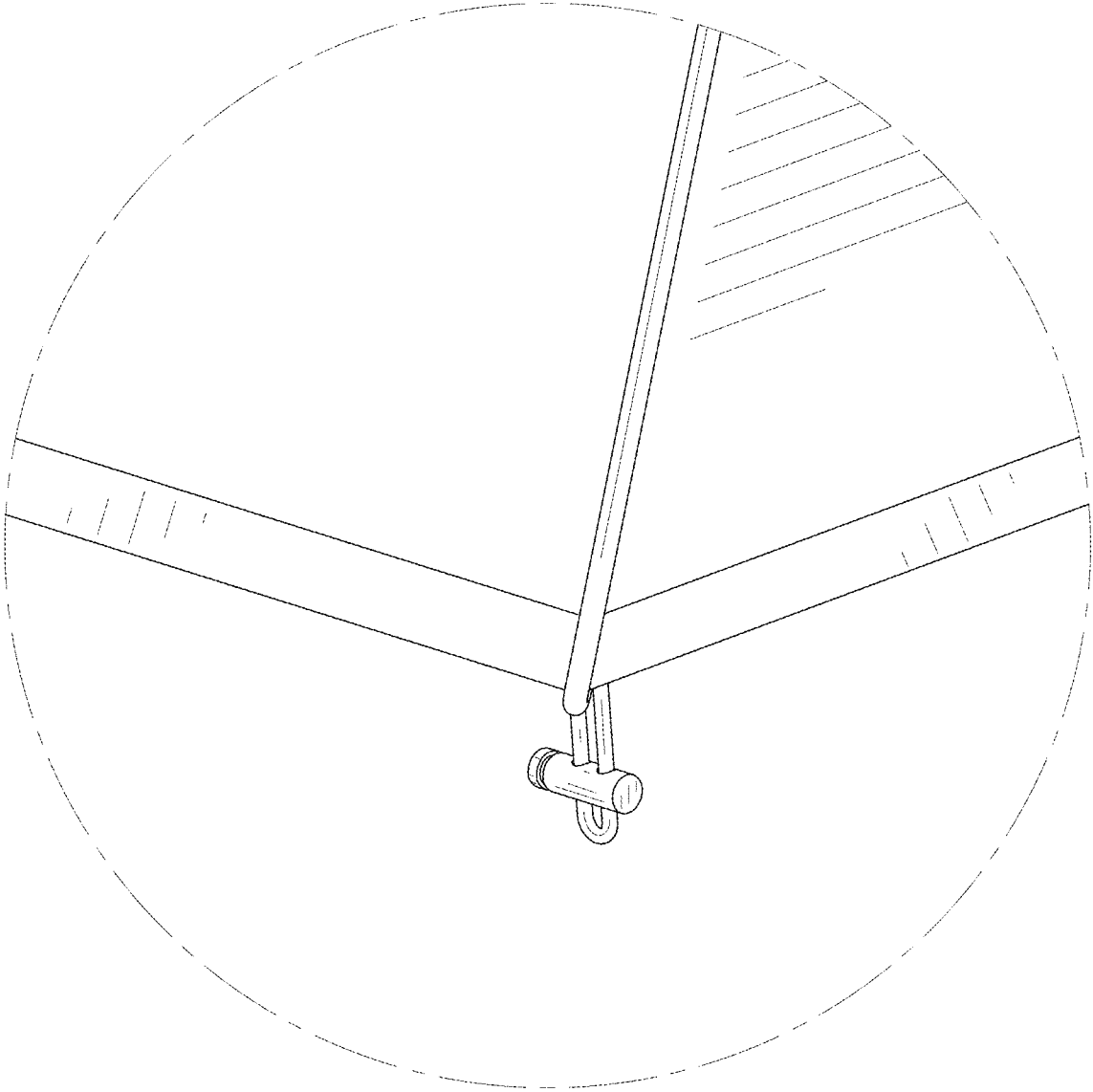


FIG. 8