



US00D810280S

(12) **United States Design Patent**
Tharp et al.

(10) **Patent No.:** **US D810,280 S**
(45) **Date of Patent:** **** Feb. 13, 2018**

(54) **DRUG APPLICATOR WITH MASSAGE HEAD AND CHARGING STATION**

(71) Applicant: **Follica, Inc.**, Boston, MA (US)

(72) Inventors: **David C. Tharp**, Boston, MA (US);
Scott Kellogg, Mattapoisett, MA (US);
Daniel DeRuntz, Somerville, MA (US);
Jason Robinson, Tewksbury, MA (US);
Greg Wolos, Cambridge, MA (US);
Alex Staudt, Cambridge, MA (US)

(73) Assignee: **FOLLICA, INC.**, Boston, MA (US)

(**) Term: **15 Years**

(21) Appl. No.: **29/540,708**

(22) Filed: **Sep. 27, 2015**

(51) **LOC (11) Cl.** **24-02**

(52) **U.S. Cl.**
USPC **D24/112**

(58) **Field of Classification Search**
USPC D24/112-114, 200, 108, 133, 130, 127,
D24/186; 606/181, 185; 604/264, 272,
604/187, 181, 184, 227
(Continued)

(56) **References Cited**

U.S. PATENT DOCUMENTS
4,858,600 A 8/1989 Gross et al.
D331,288 S * 11/1992 Yuen D24/200
(Continued)

Primary Examiner — David G Muller

(74) *Attorney, Agent, or Firm* — Jones Day

(57) **CLAIM**

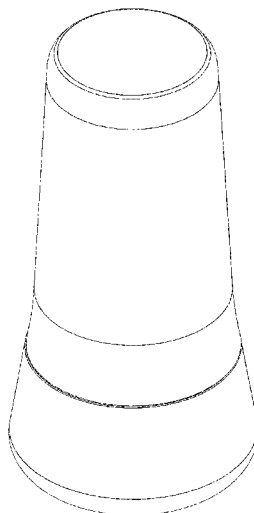
The ornamental design for a drug applicator with massage head and charging station, as shown and described.

DESCRIPTION

FIG. 1 is a right side perspective view of a drug applicator with a massage head and a charging station in accordance with the present design in a fully assembled state;

FIG. 2 is a left side perspective view thereof;
FIG. 3 is a right side elevation view thereof;
FIG. 4 is a left side elevation view thereof;
FIG. 5 is a top side elevation view thereof;
FIG. 6 is a bottom side elevation view thereof;
FIG. 7 is a top end elevation view thereof;
FIG. 8 is a bottom end elevation view thereof;
FIG. 9 is a right side perspective view of the drug applicator with the massage head in accordance with the present design in a partially assembled state without the charging station;
FIG. 10 is a left side perspective view thereof;
FIG. 11 is a right side elevation view thereof;
FIG. 12 is a left side elevation view thereof;
FIG. 13 is a top side elevation view thereof;
FIG. 14 is a bottom side elevation view thereof;
FIG. 15 is a top end elevation view thereof;
FIG. 16 is a bottom end elevation view thereof;
FIG. 17 is a right side perspective view of the charging station of the drug applicator in accordance with the present design without the drug applicator and the massage head;
FIG. 18 is a left side perspective view thereof;
FIG. 19 is a right side elevation view thereof;
FIG. 20 is a left side elevation view thereof;
FIG. 21 is a top side elevation view thereof;
FIG. 22 is a bottom side elevation view thereof;
FIG. 23 is a top end elevation view thereof;
FIG. 24 is a bottom end elevation view thereof;
FIG. 25 is a right side perspective view of the massage head of the drug applicator in accordance with the present design without the drug applicator and the charging station;
FIG. 26 is a left side perspective view thereof;
FIG. 27 is a right side elevation view thereof;
FIG. 28 is a left side elevation view thereof;
FIG. 29 is a top side elevation view thereof;
FIG. 30 is a bottom side elevation view thereof;
FIG. 31 is a top end elevation view thereof; and,
FIG. 32 is a bottom end elevation view thereof.

1 Claim, 12 Drawing Sheets



US D810,280 S

Page 2

(58) **Field of Classification Search**

CPC A61M 5/178; A61M 3/00; A61M 5/20;
A61M 5/31; A61M 5/3146; A61M
5/3129; A61M 5/3148; A61M 5/315

See application file for complete search history.

(56) **References Cited**

U.S. PATENT DOCUMENTS

D342,319 S * 12/1993 Cheng D24/200
D344,137 S * 2/1994 Yoo D24/200
D366,703 S * 1/1996 Huen D13/108
6,260,557 B1 7/2001 Yarbrough
6,539,949 B2 4/2003 Christensen
6,645,184 B1 11/2003 Zelickson et al.
6,662,811 B2 12/2003 Mugge et al.
D495,050 S * 8/2004 Guala D24/108
D510,440 S * 10/2005 Huang D24/200

7,354,423 B2 4/2008 Zelickson et al.
7,427,169 B2 9/2008 Ma et al.
D601,803 S 10/2009 Reishus et al.
7,597,106 B2 10/2009 Desmond et al.
D636,089 S * 4/2011 Yoo D24/200
D648,435 S * 11/2011 Brodbeck D24/146
8,052,662 B2 11/2011 Zelickson et al.
8,454,534 B2 * 6/2013 Russomano A61B 5/1411
600/573
D712,543 S * 9/2014 Maier D24/186
9,005,173 B2 4/2015 Zelickson et al.
D745,153 S * 12/2015 Dowdell D24/108
D747,458 S * 1/2016 Sonderegger D24/108
D752,237 S * 3/2016 Cole D24/200
2005/0092340 A1 5/2005 Rijskamp
2008/0161737 A1 7/2008 Hilditch
2008/0210251 A1 9/2008 Dallianis et al.
2009/0050169 A1 2/2009 Ma et al.
2009/0293897 A1 12/2009 Ma et al.

* cited by examiner

Fig. 2

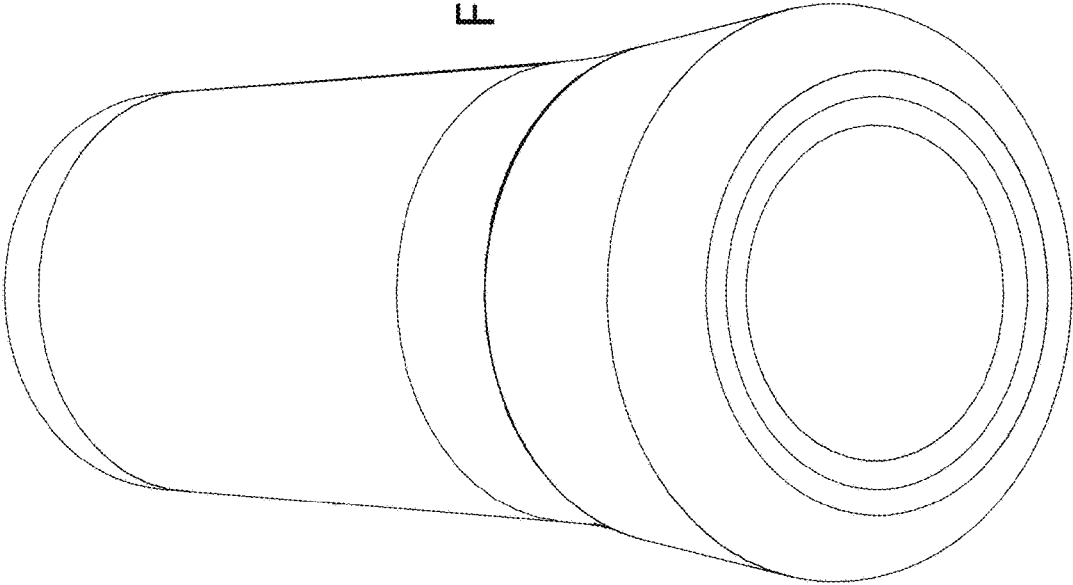
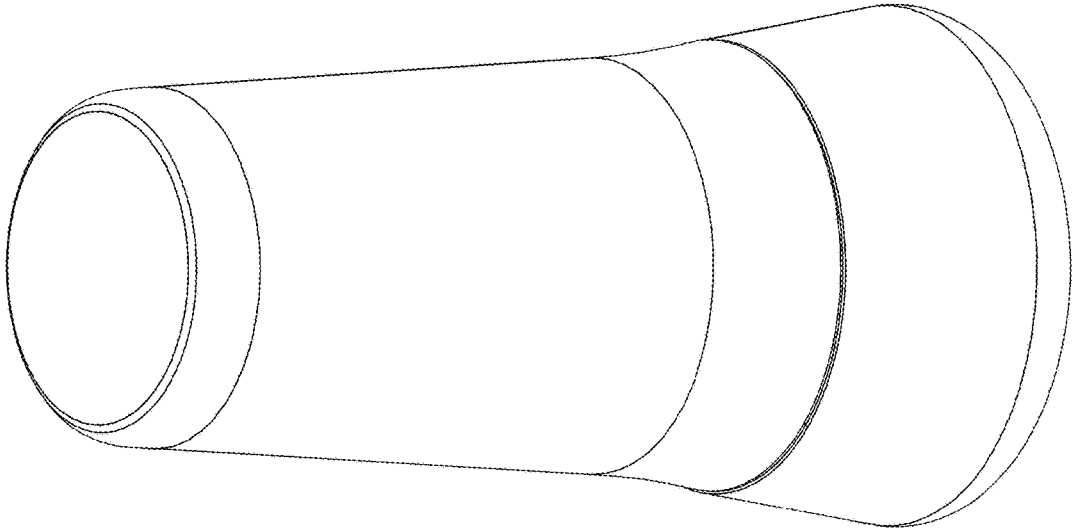


Fig. 1



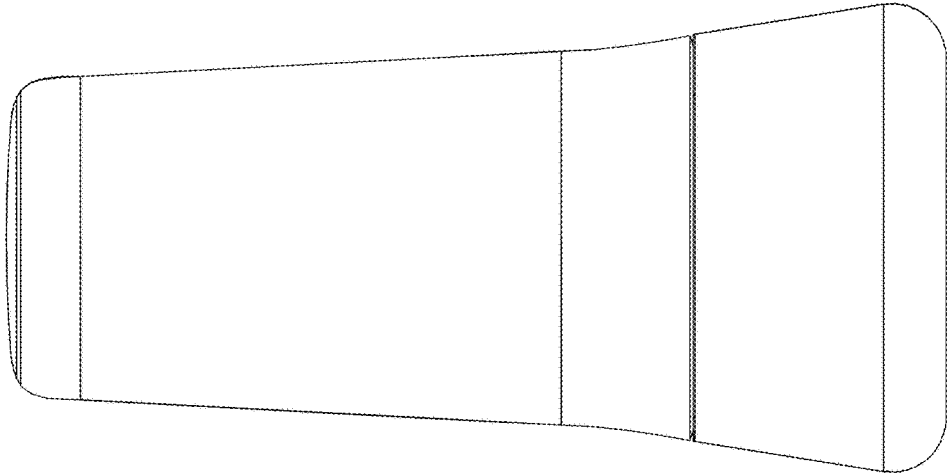


Fig. 5

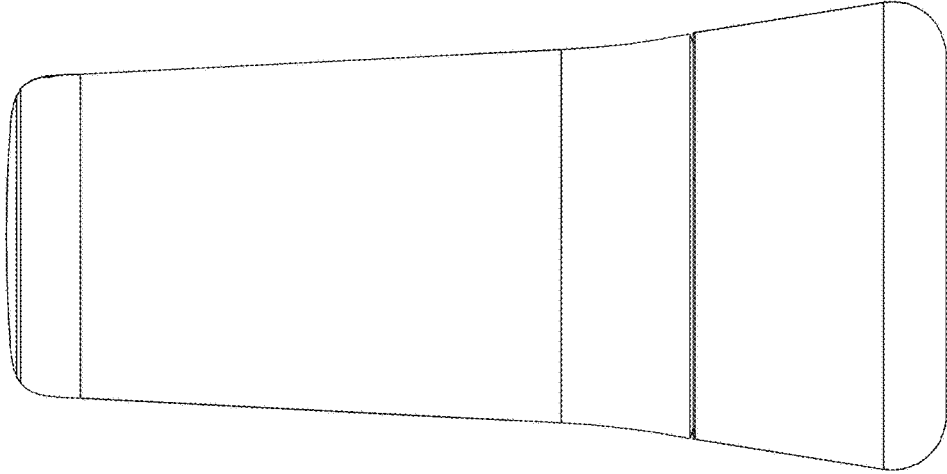


Fig. 4

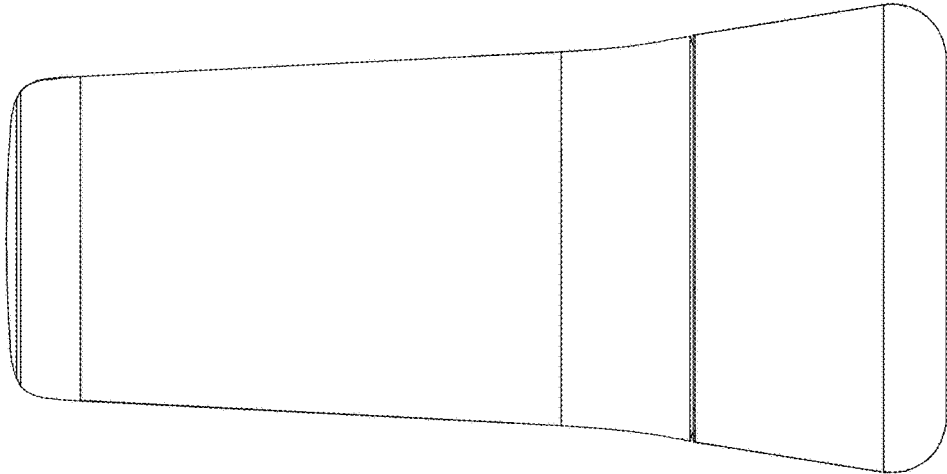


Fig. 3

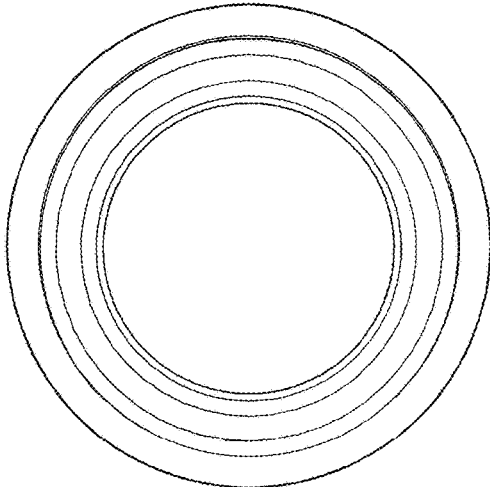


Fig. 7

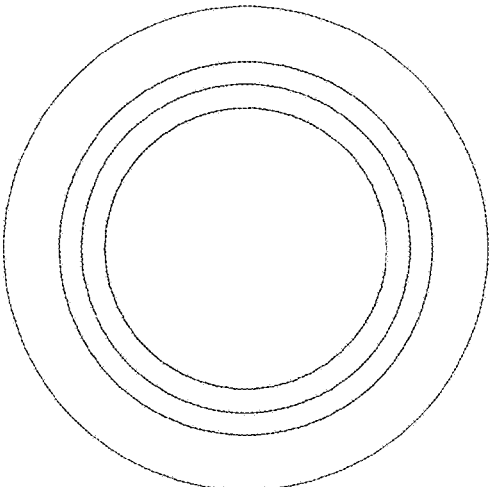


Fig. 8

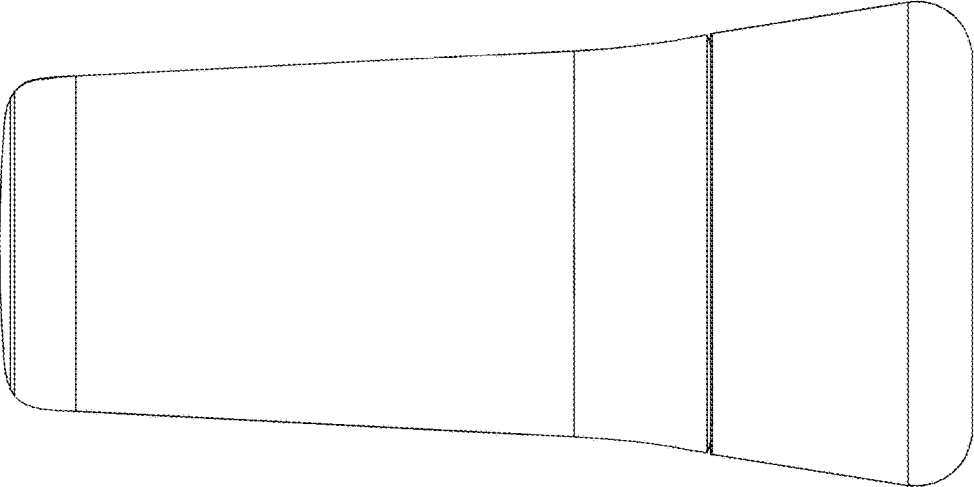


Fig. 6

Fig. 10

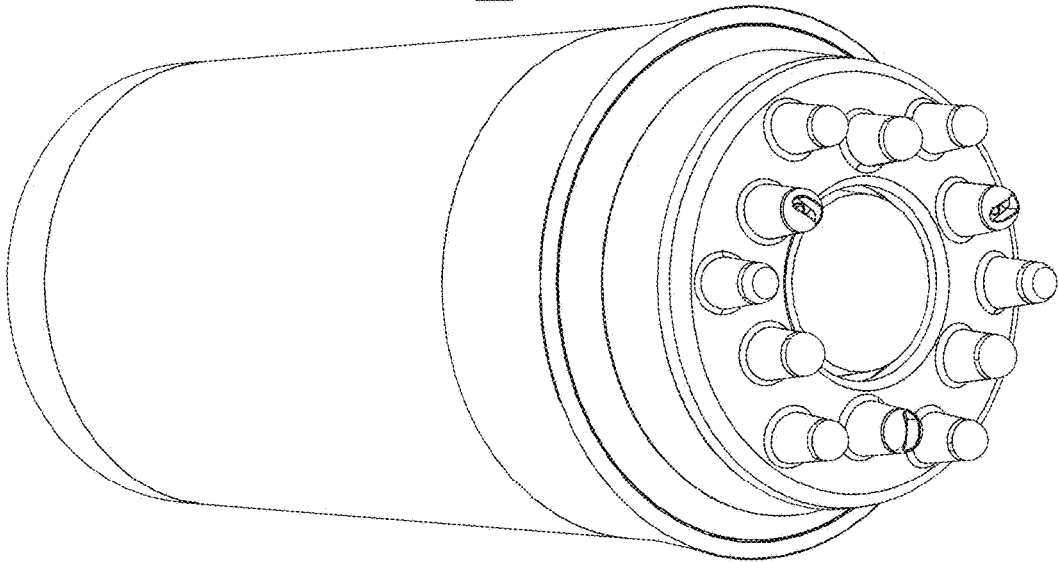
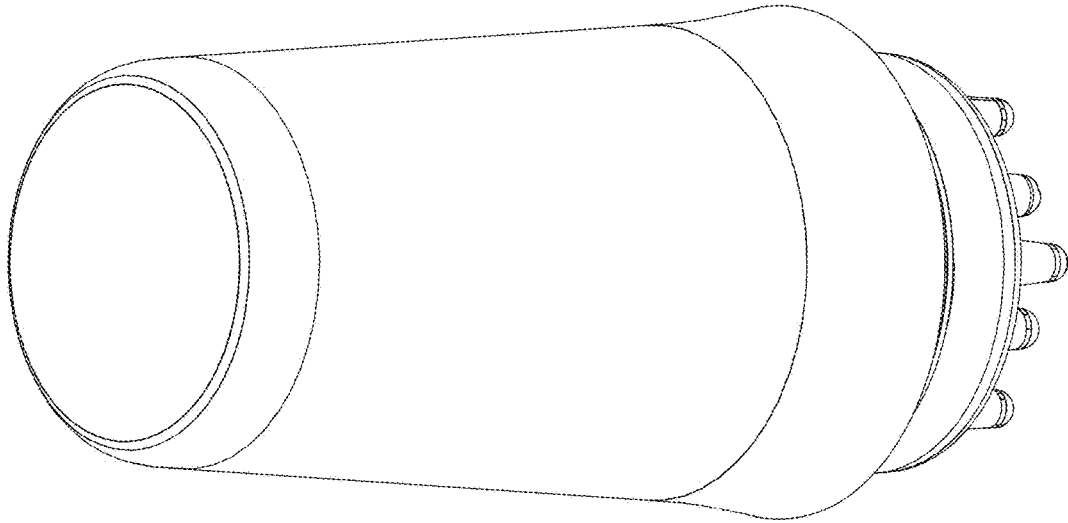


Fig. 9



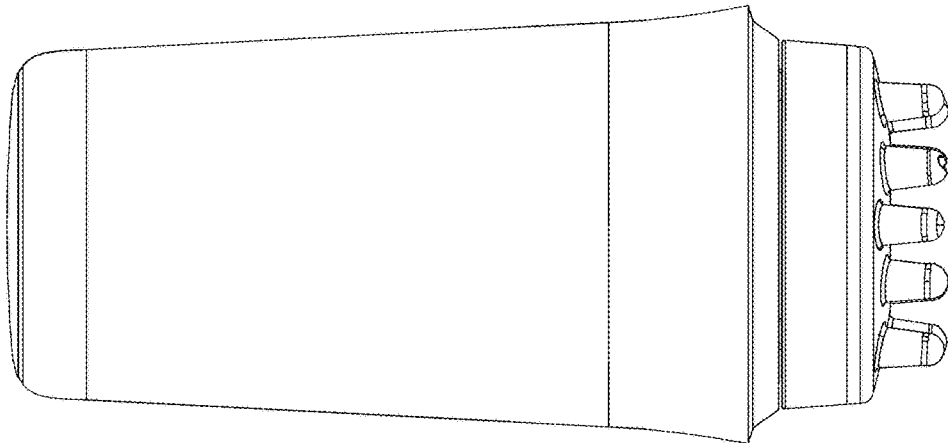


Fig. 11

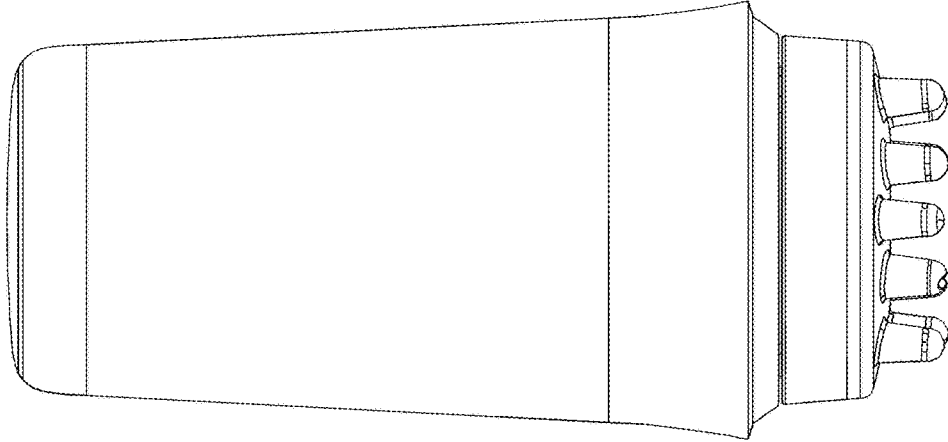


Fig. 12

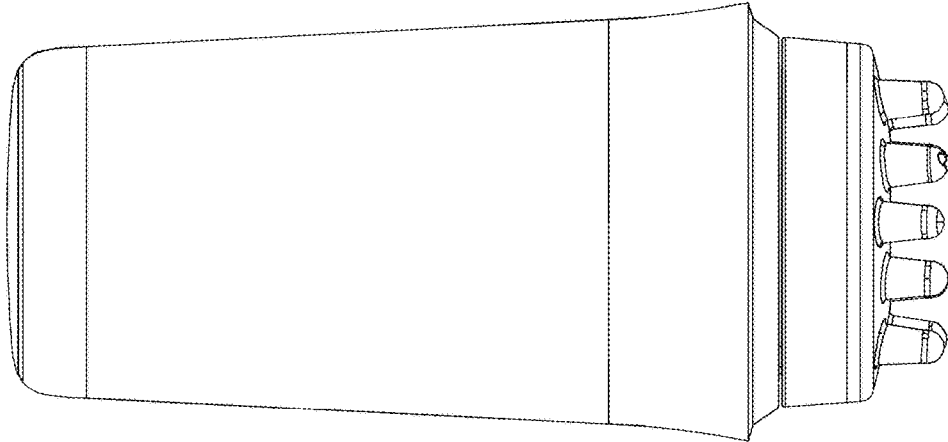


Fig. 13

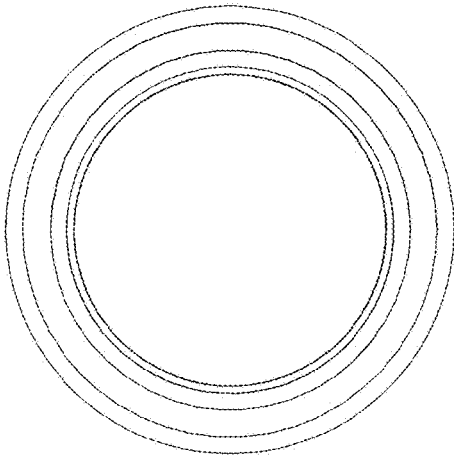


Fig. 15

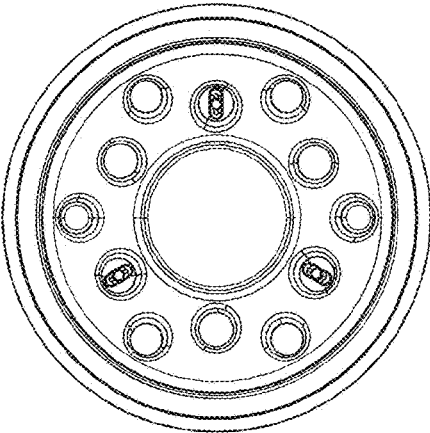


Fig. 16

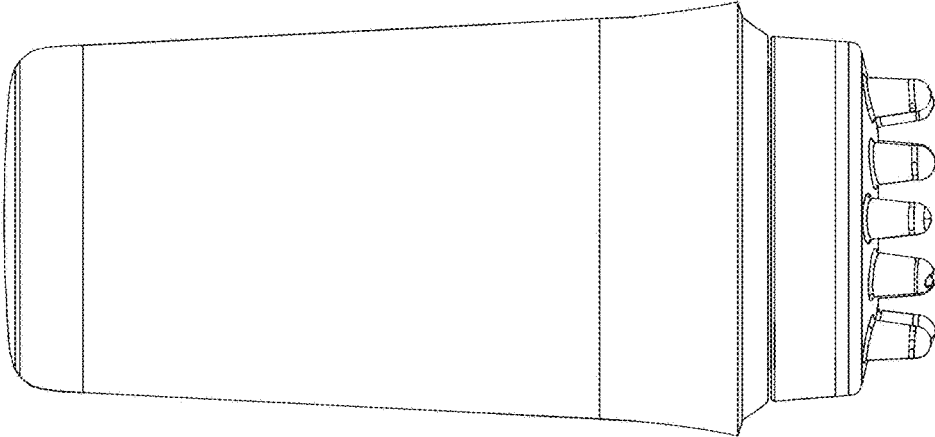


Fig. 14

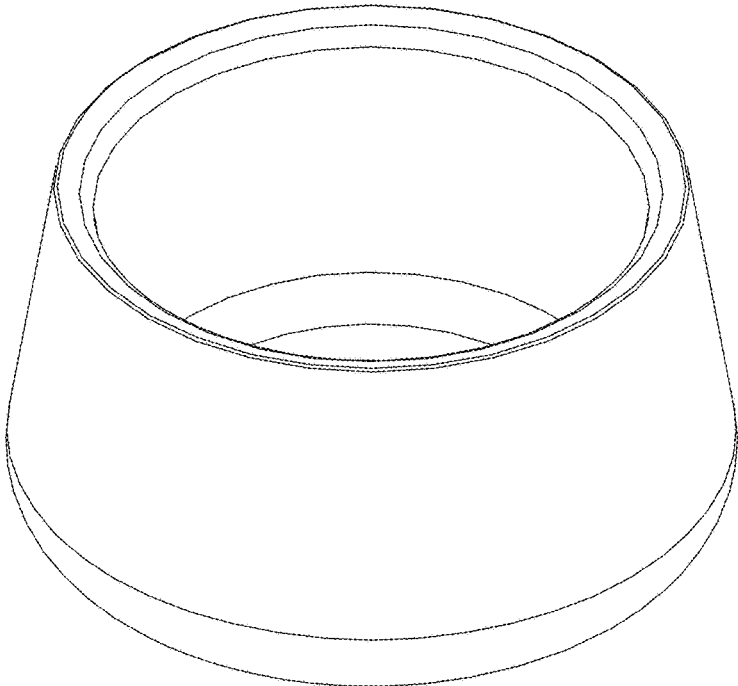


Fig. 17

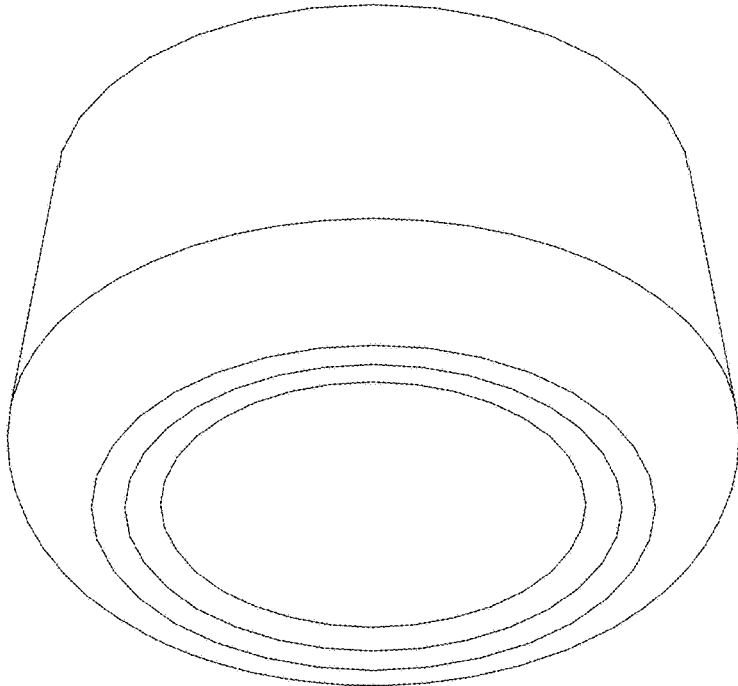


Fig. 18

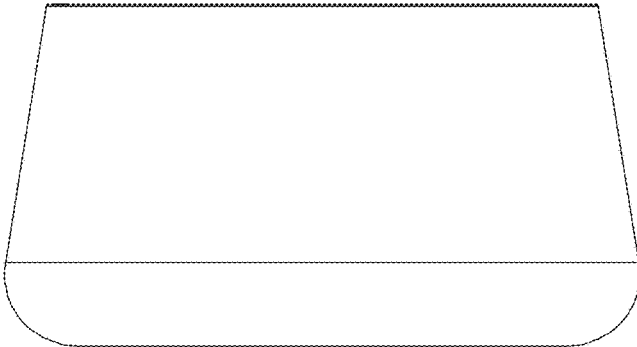


Fig. 19

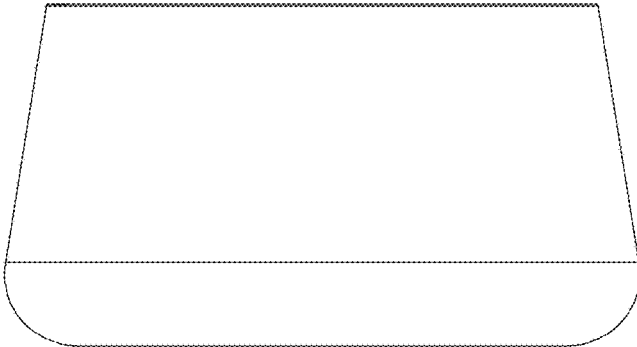


Fig. 20

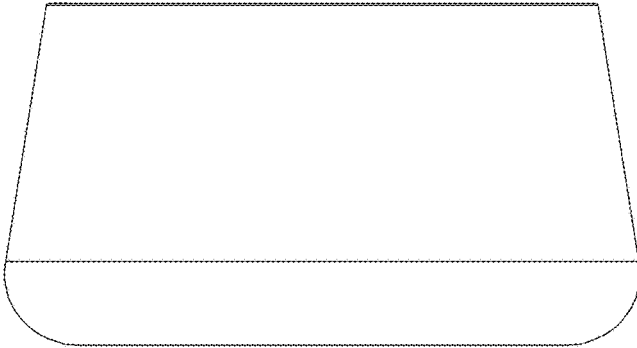


Fig. 21

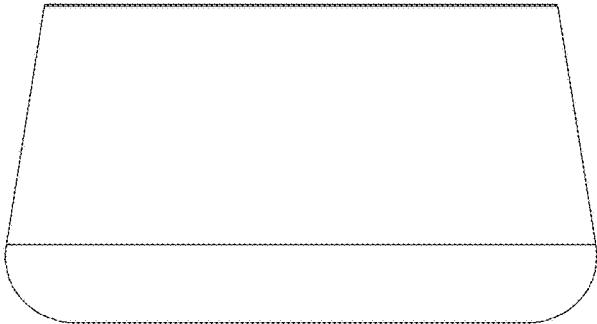


Fig. 22

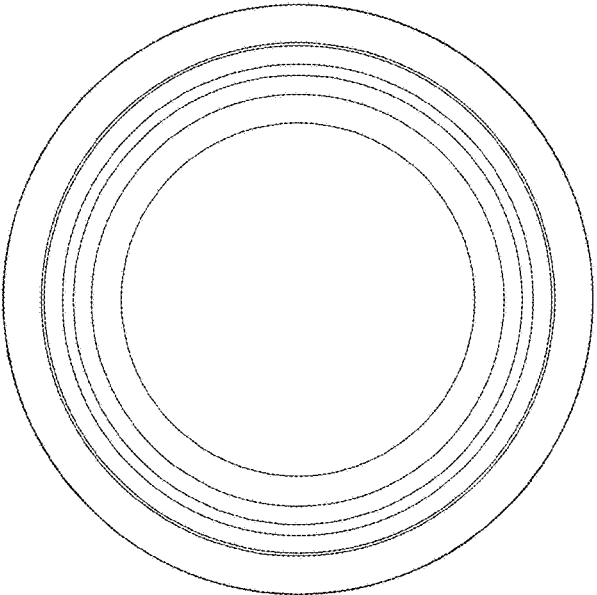


Fig. 23

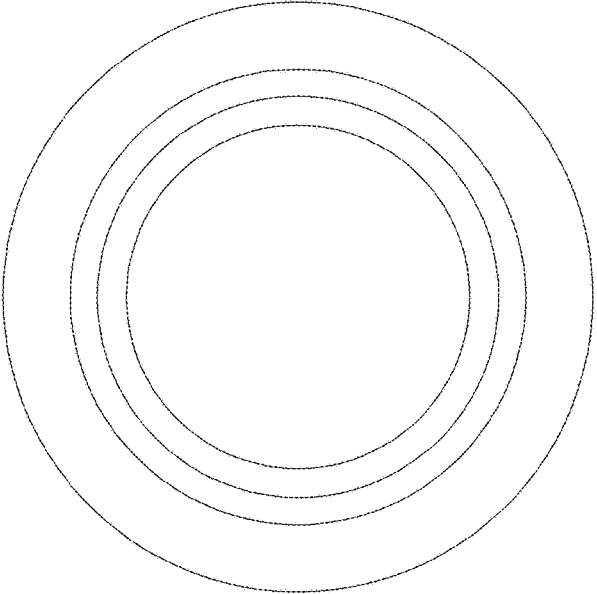


Fig. 24

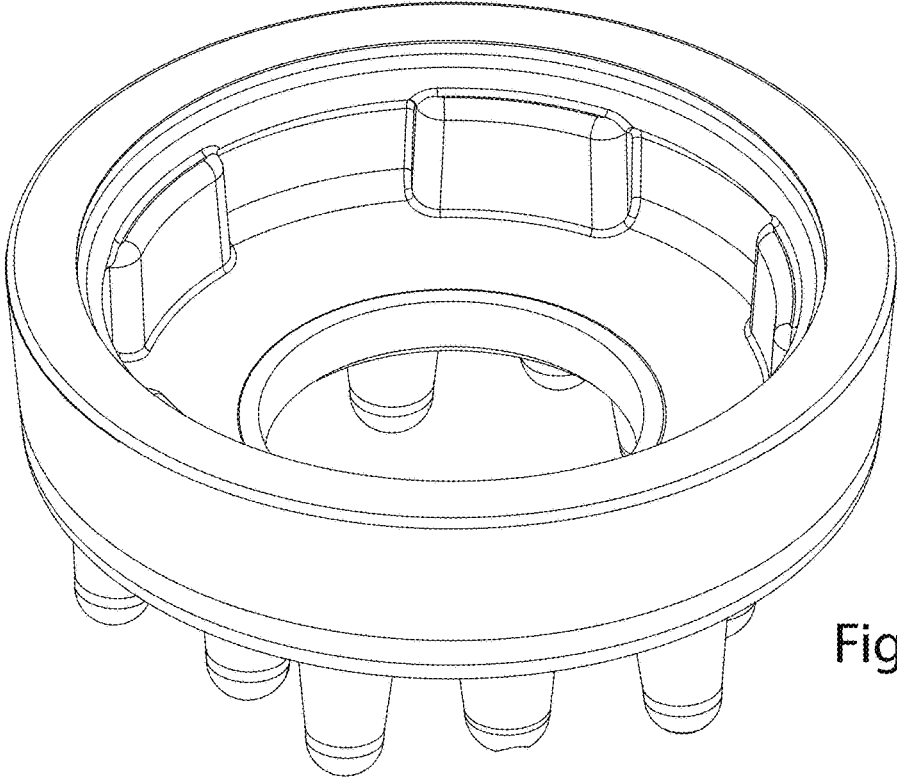


Fig. 25

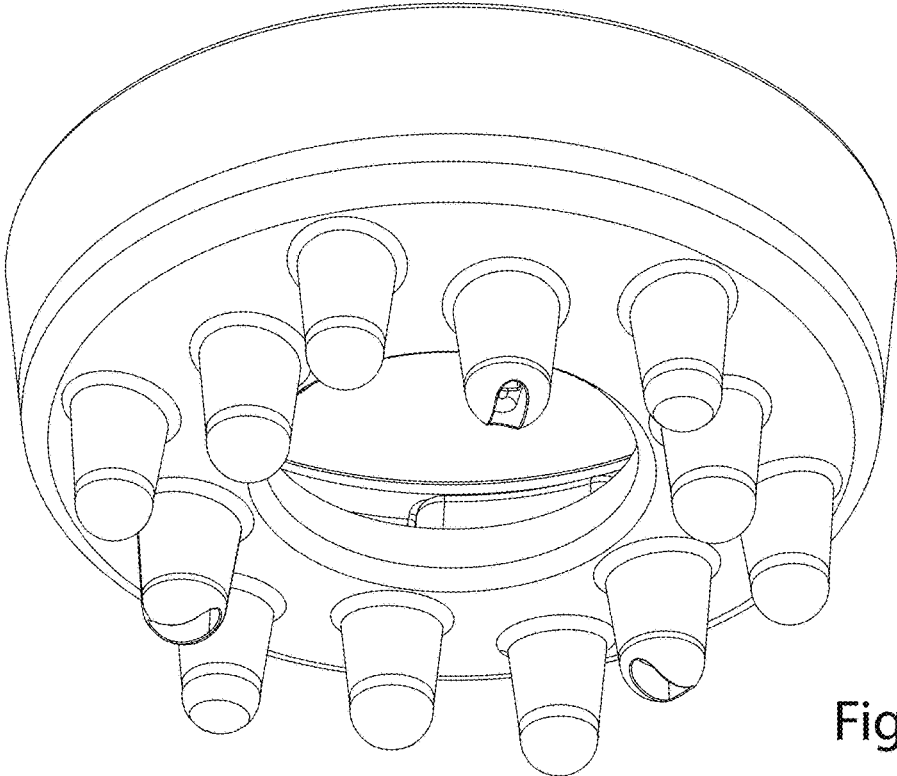


Fig. 26

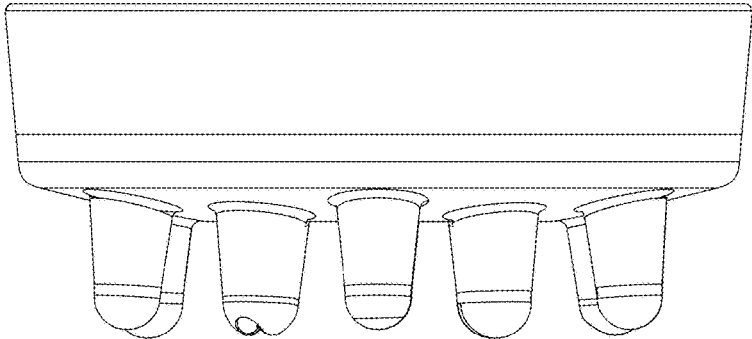


Fig. 27

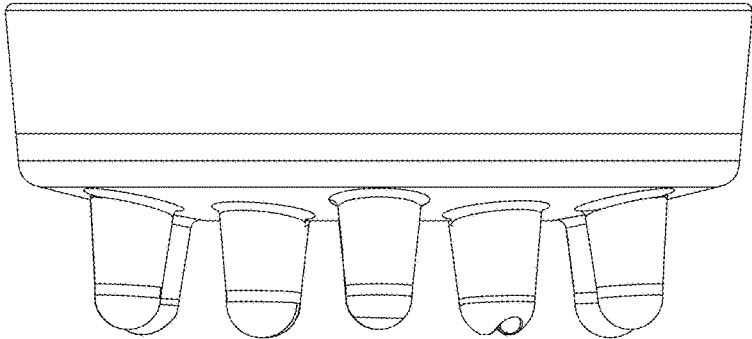


Fig. 28

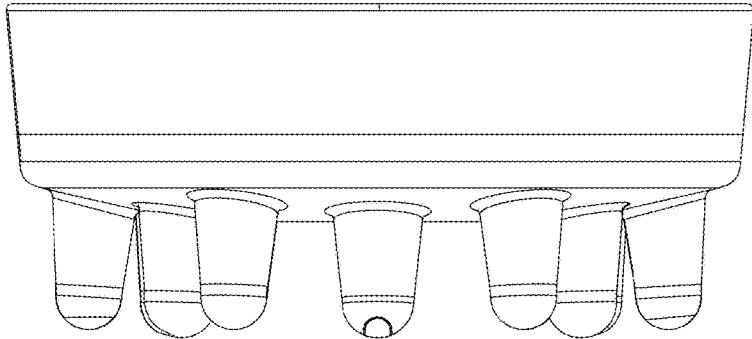


Fig. 29

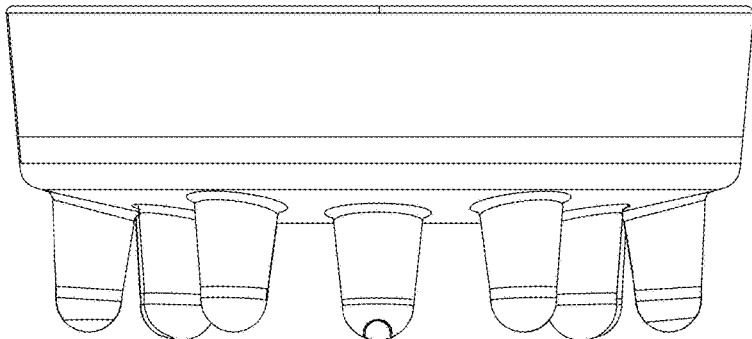


Fig. 30

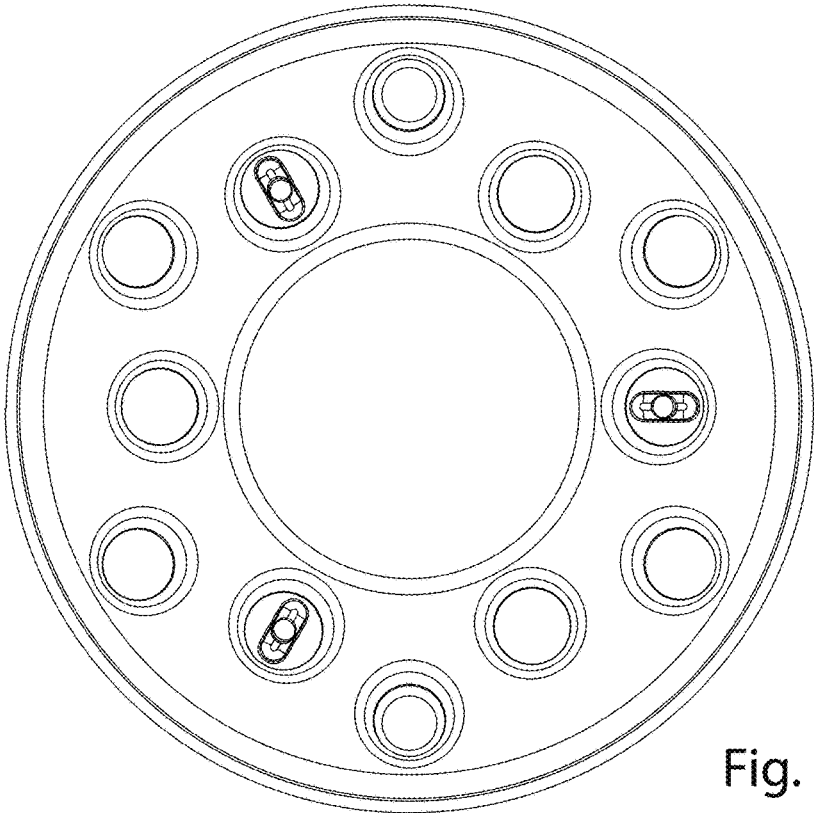


Fig. 31

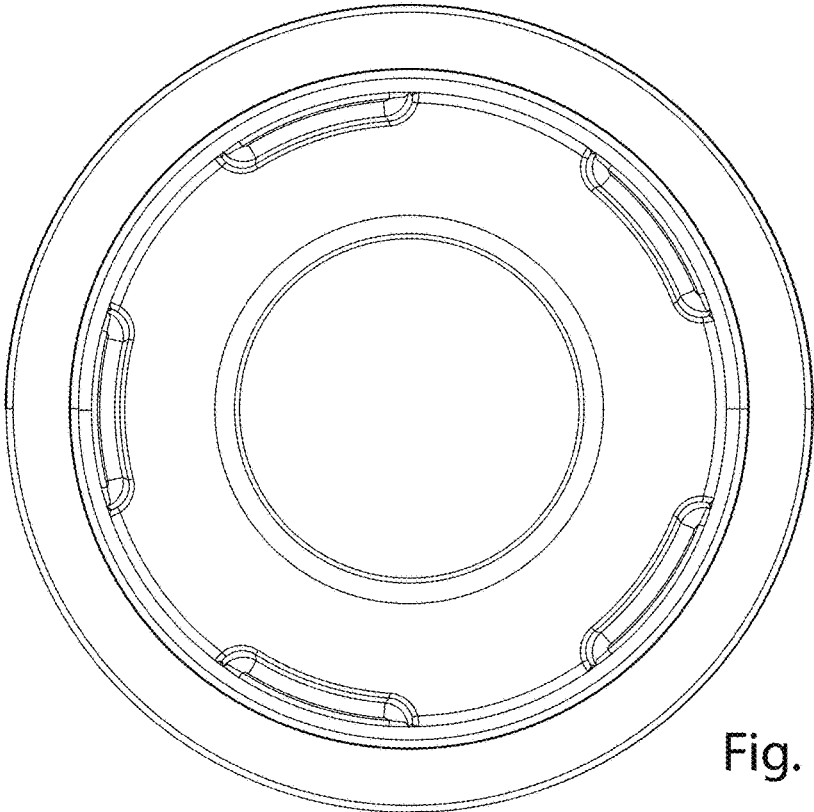


Fig. 32