



US00D666864S

(12) **United States Design Patent**
Dahlstrom

(10) **Patent No.:** **US D666,864 S**

(45) **Date of Patent:** **** Sep. 11, 2012**

(54) **ESPRESSO COFFEE MACHINE**

(75) Inventor: **Bjorn Dahlstrom**, Stockholm (SE)

(73) Assignee: **SEB S.A.**, Ecully (FR)

(**) Term: **14 Years**

(21) Appl. No.: **29/390,461**

(22) Filed: **Apr. 25, 2011**

(30) **Foreign Application Priority Data**

Oct. 25, 2010 (FR) 10 5448

(51) **LOC (9) Cl.** **07-01**

(52) **U.S. Cl.** **D7/309; D7/311**

(58) **Field of Classification Search** D7/306-311;
99/309, 280, 292, 992

See application file for complete search history.

(56) **References Cited**

U.S. PATENT DOCUMENTS

D584,096 S *	1/2009	Lutz	D7/307
D602,729 S *	10/2009	Dahlstrom	D7/309
D611,289 S *	3/2010	de Visser	D7/309
D613,107 S *	4/2010	Hausner et al.	D7/306
D615,339 S *	5/2010	Bronwasser	D7/306
D622,534 S *	8/2010	Zimmermann	D7/307
D623,461 S *	9/2010	Ashbridge	D7/306
D628,007 S *	11/2010	Di Bitonto et al.	D7/310

D646,109 S *	10/2011	Zoppellari	D7/309
D647,749 S *	11/2011	De' Longhi	D7/309
D656,771 S *	4/2012	Bronwasser	D7/306

* cited by examiner

Primary Examiner — Marianne Pandozzi

(74) *Attorney, Agent, or Firm* — Loeb & Loeb LLP

(57) **CLAIM**

The ornamental design for an espresso coffee machine, as shown and described.

DESCRIPTION

FIG. 1 is a front elevational view of an espresso coffee machine showing my new design;

FIG. 2 is a rear elevational view of the espresso coffee machine of FIG. 1.

FIG. 3 is a left side elevational view of the espresso coffee machine of FIG. 1.

FIG. 4 is a right side elevational view of the espresso coffee machine of FIG. 1.

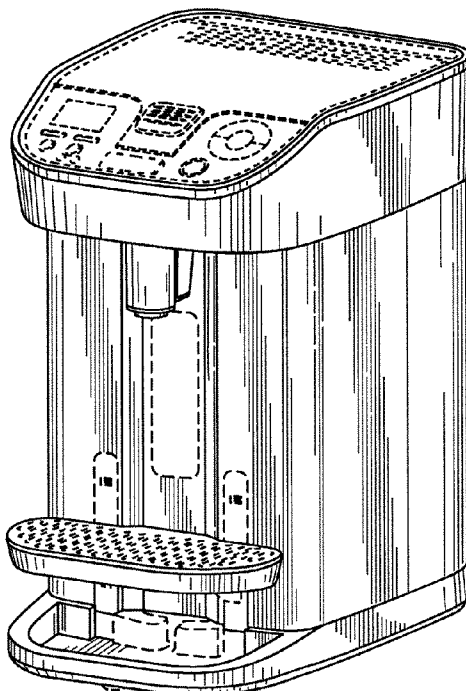
FIG. 5 is a top plan view of the espresso coffee machine of FIG. 1.

FIG. 6 is bottom plan view of the espresso coffee machine of FIG. 1; and,

FIG. 7 is a perspective view of the espresso coffee machine of FIG. 1.

The broken lines appearing in the figures are for the purpose of illustrating the environmental structure of the article of the claimed design and form no part of the claimed design.

1 Claim, 7 Drawing Sheets



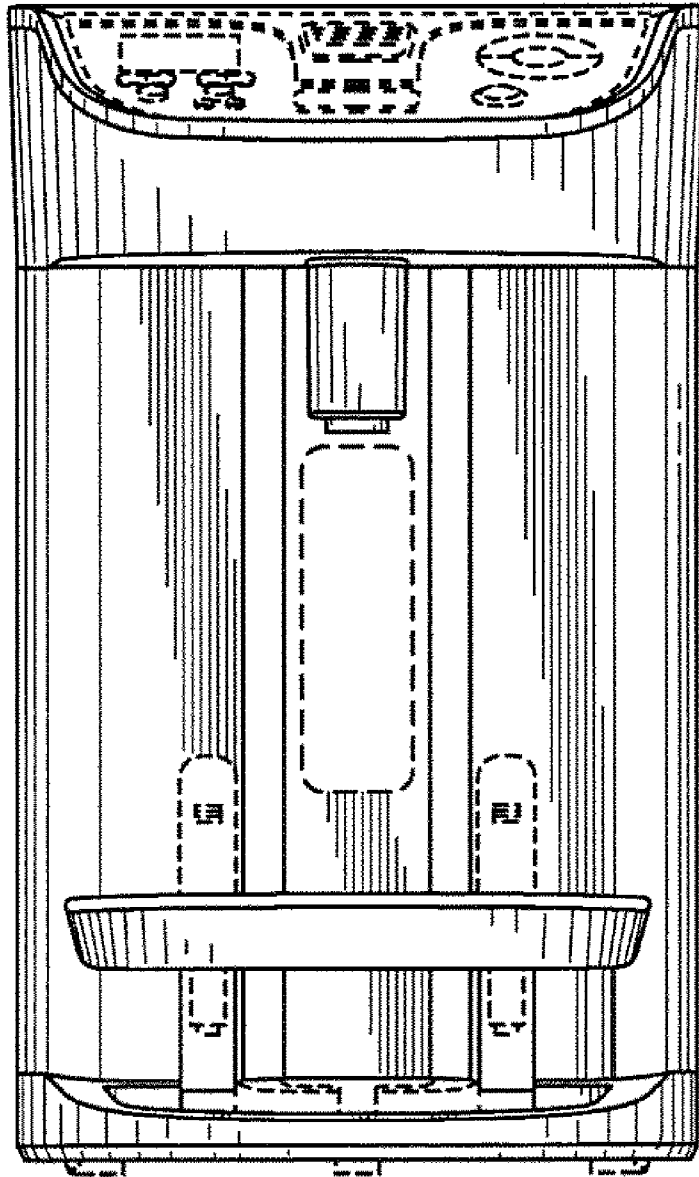


FIG. 1

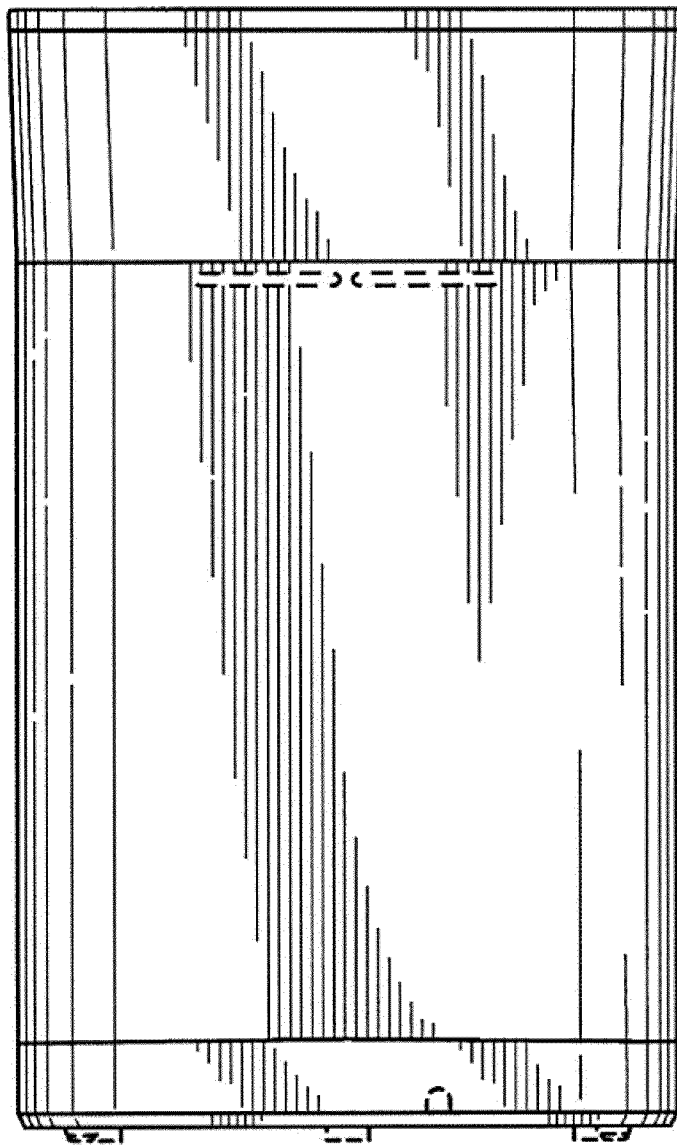


FIG. 2

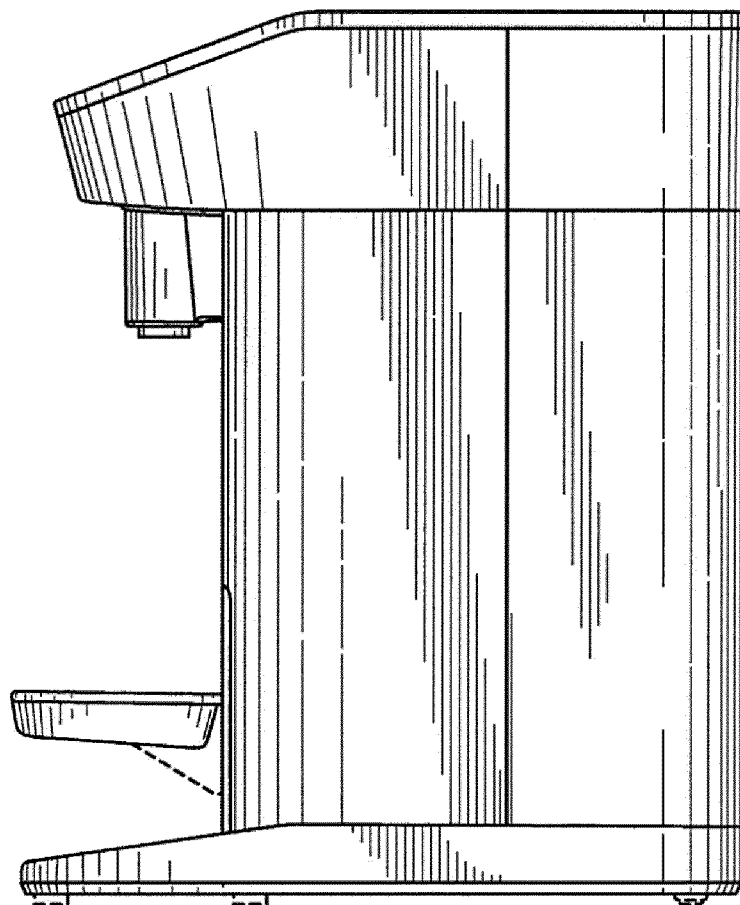


FIG. 3

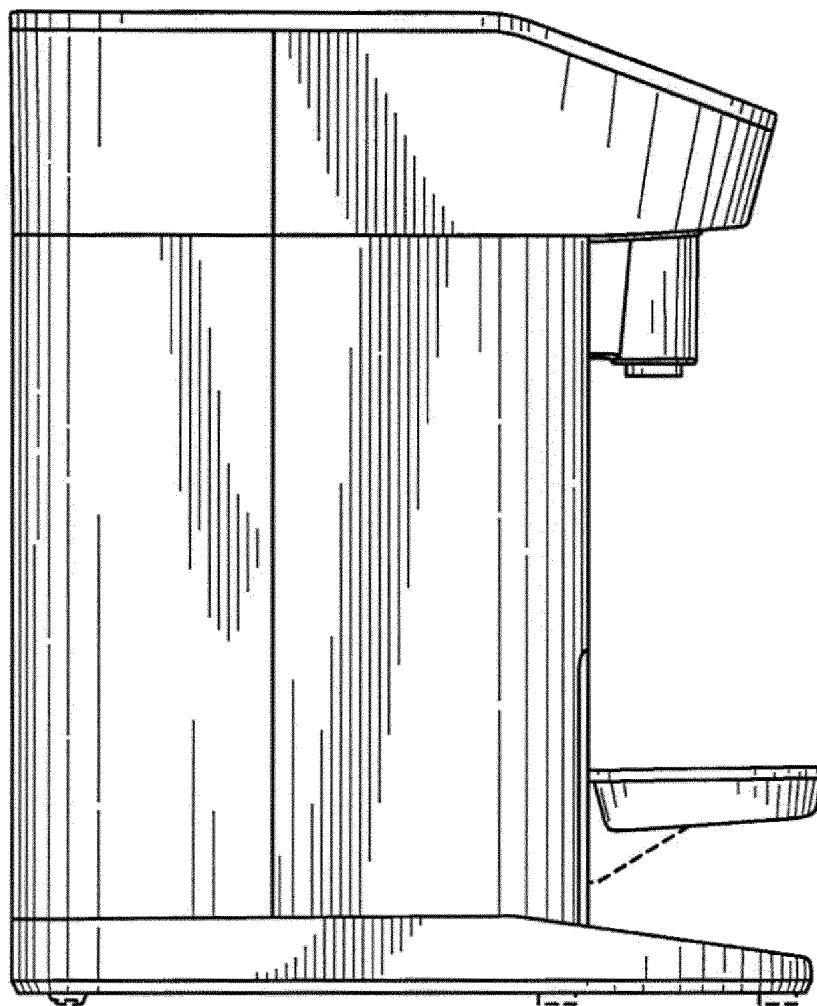


FIG. 4

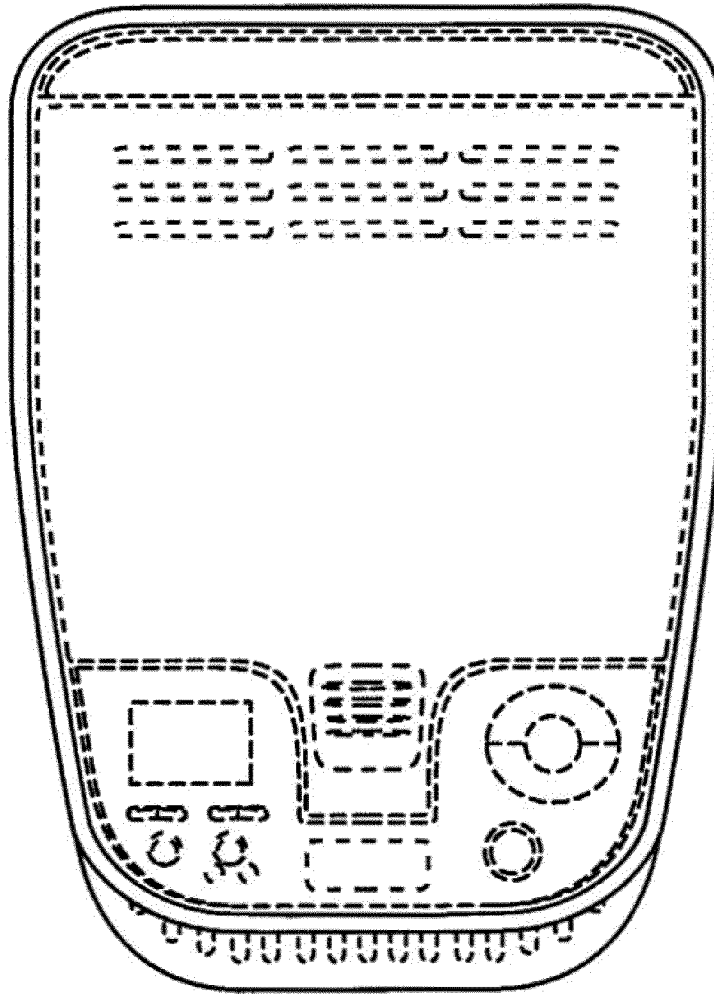


FIG. 5

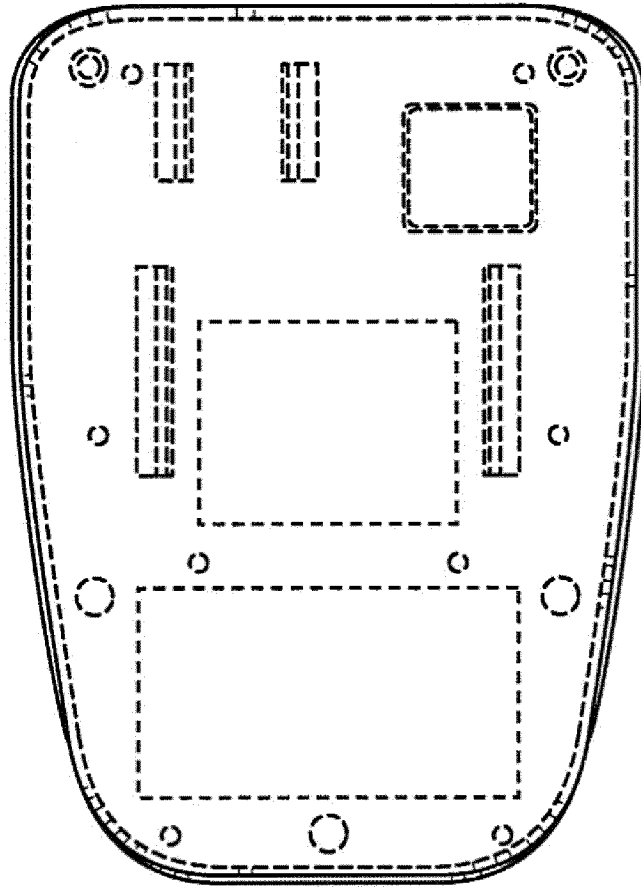


FIG. 6

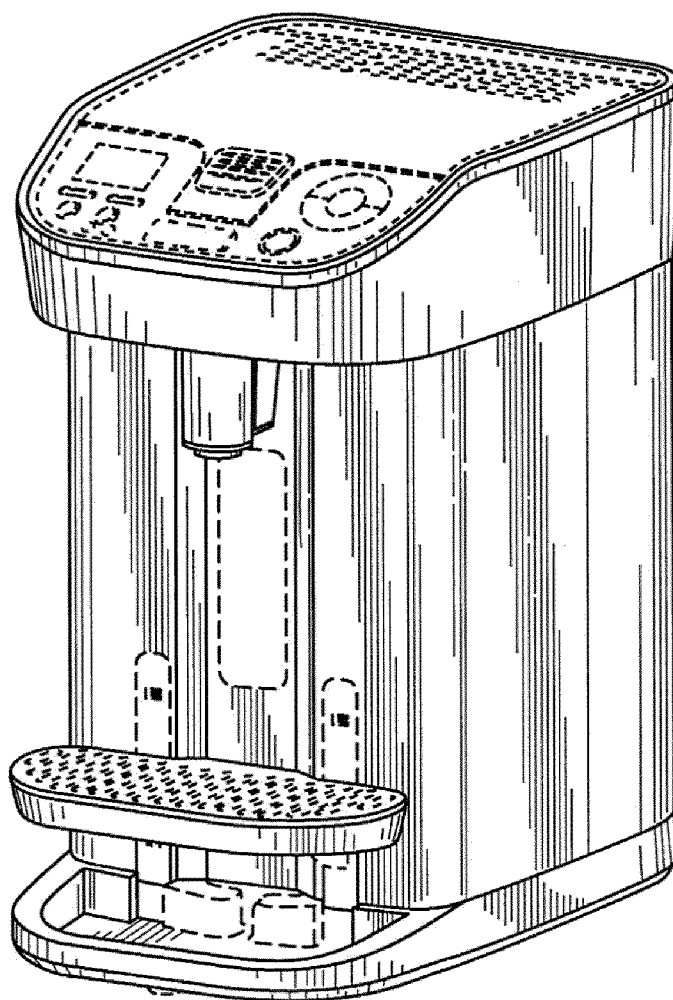


FIG. 7