



- (51) International Patent Classification:  
*H01M 2/12* (2006.01) *H01M 10/0525* (2010.01)
- (21) International Application Number:  
PCT/CN2013/084459
- (22) International Filing Date:  
27 September 2013 (27.09.2013)
- (25) Filing Language: English
- (26) Publication Language: English
- (30) Priority Data:  
201220502764.7  
27 September 2012 (27.09.2012) CN
- (71) Applicants: SHENZHEN BYD AUTO R&D COMPANY LIMITED [CN/CN]; Part B, 1/F, Bldg#B2, Yucan Industrial Area, Lanzhu Road, Shenzhen Export Processing Zone, Shenzhen Grand Industrial Zone, Shenzhen, Guangdong 518118 (CN). BYD COMPANY LIMITED [CN/CN]; No. 3009 BYD Road, Pingshan, Shenzhen, Guangdong 518118 (CN).
- (72) Inventors: SHEN, Xi; No. 3009 BYD Road, Pingshan, Shenzhen, Guangdong 518118 (CN). YANG, Keli; No. 3009 BYD Road, Pingshan, Shenzhen, Guangdong 518118 (CN). ZHANG, Xuefeng; No. 3009 BYD Road, Pingshan, Shenzhen, Guangdong 518118 (CN). JIANG, Luxia; No. 3009 BYD Road, Pingshan, Shenzhen, Guangdong 518118 (CN). ZHU, Jianhua; No. 3009 BYD Road, Pingshan, Shenzhen, Guangdong 518118 (CN).
- (74) Agent: TSINGYIHUA INTELLECTUAL PROPERTY LLC; Room 301, Trade Building, Zhaolanyuan, Tsinghua University, Qinghuayuan, Haidian District, Beijing 100084 (CN).
- (81) Designated States (*unless otherwise indicated, for every kind of national protection available*): AE, AG, AL, AM, AO, AT, AU, AZ, BA, BB, BG, BH, BN, BR, BW, BY, BZ, CA, CH, CL, CN, CO, CR, CU, CZ, DE, DK, DM, DO, DZ, EC, EE, EG, ES, FI, GB, GD, GE, GH, GM, GT, HN, HR, HU, ID, IL, IN, IS, JP, KE, KG, KN, KP, KR, KZ, LA, LC, LK, LR, LS, LT, LU, LY, MA, MD, ME, MG, MK, MN, MW, MX, MY, MZ, NA, NG, NI, NO, NZ, OM, PA, PE, PG, PH, PL, PT, QA, RO, RS, RU, RW, SA,

[Continued on next page]

(54) Title: SEALING MEMBER AND BATTERY COMPRISING THE SAME

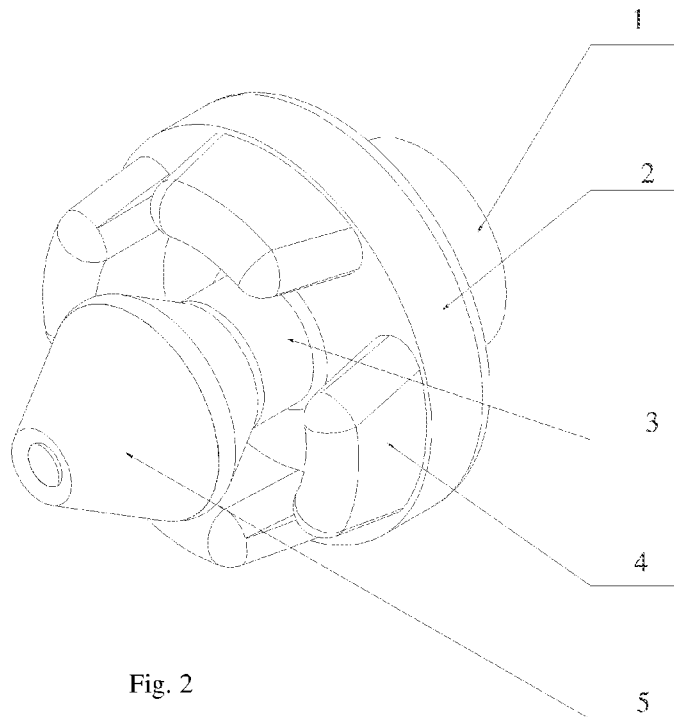


Fig. 2

(57) Abstract: A sealing member and a battery comprising the sealing member are provided. The sealing member (6) comprises: a sealing part (5); an operation part having a supporting portion (2), an operation protrusion (1) disposed on an upper surface of the supporting portion (2), and a deformable leg (4) depending from a bottom surface of the supporting portion (2); and a connecting part (3) connecting the sealing part (5) and operation part. The sealing part (5) has a maximum diameter greater than that of the connecting part (3).



SC, SD, SE, SG, SK, SL, SM, ST, SV, SY, TH, TJ, TM, TN, TR, TT, TZ, UA, UG, US, UZ, VC, VN, ZA, ZM, ZW.

EE, ES, FI, FR, GB, GR, HR, HU, IE, IS, IT, LT, LU, LV, MC, MK, MT, NL, NO, PL, PT, RO, RS, SE, SI, SK, SM, TR), OAPI (BF, BJ, CF, CG, CI, CM, GA, GN, GQ, GW, KM, ML, MR, NE, SN, TD, TG).

**(84) Designated States** (*unless otherwise indicated, for every kind of regional protection available*): ARIPO (BW, GH, GM, KE, LR, LS, MW, MZ, NA, RW, SD, SL, SZ, TZ, UG, ZM, ZW), Eurasian (AM, AZ, BY, KG, KZ, RU, TJ, TM), European (AL, AT, BE, BG, CH, CY, CZ, DE, DK,

**Published:**

— *with international search report (Art. 21(3))*

## SEALING MEMBER AND BATTERY COMPRISING THE SAME

CROSS REFERENCE TO RELATED APPLICATION

This application claims priority and benefits of Chinese Patent Application No.  
5 201220502764.7, filed with State Intellectual Property Office, P. R. C. on September 27, 2012, the  
entire content of which is incorporated herein by reference.

FIELD

The present disclosure generally relates to the battery field, and more particularly, to a sealing  
10 member for a battery and a battery including the sealing member.

BACKGROUND

Batteries such as lithium ion batteries are widely used due to their small volume, high energy  
density, non-pollution, etc. Active materials in the battery need to be activated by a pre-charging  
15 process (also known as a transformation process). In the transformation process, gas may be  
generated inside the battery. The gas may not be successfully discharged from the interior of the  
battery via the valve, or the moisture may enter into the battery, thus causing the moisture content  
of the electrolyte exceeding a certain limit. If the gas generated in the transformation process  
cannot be discharged from the battery, gas expansion will occur. Gas expansion in the battery may  
20 seriously affect the properties and operations of the battery.

SUMMARY

Embodiments of the present disclosure seek to solve at least one of the problems existing in  
the related art, and provide a sealing member and a battery comprising the sealing member. The  
25 sealing member can release the gas from the battery under pressing action, and has a reliable  
sealing ability and is low in manufacturing cost.

According to embodiments of a first broad aspect of the present disclosure, a sealing member  
for a battery is provided. The sealing member comprises: a sealing part; an operation part having a  
supporting portion, an operation protrusion disposed on an upper surface of the supporting portion,  
30 and a deformable leg depending from a bottom surface of the supporting portion; and a connecting  
part connecting the sealing part and the operation part, in which the sealing part has a maximum

diameter greater than that of the connecting part.

In some embodiments, the deformable leg is longer than the connecting part.

In some embodiments, the sealing member is made of elastic materials.

In some embodiments, at least two deformable legs are distributed evenly at a periphery of  
5 the bottom surface of the supporting portion and spaced apart from each other. With the at least  
two deformable legs, the supporting portion may be supported more stably and the external force  
applied on the supporting portion may be distributed more uniformly thereon. Further, the gases  
released from the gap may further released to the exterior environment via a space between the  
deformable legs.

10 In some embodiments, the deformable leg has an arcual free end surface.

In some embodiments, the sealing part comprises a truncated-cone-shaped portion connected  
with the connecting part. The truncated-cone-shaped portion may facilitate to seal the injection  
hole when the sealing part is lifted up and to open the injection hole when the gas is released.  
Thereby, the gas release efficiency of the battery is improved. Further, the truncated-cone-shaped  
15 portion also facilitates to prevent water from entering into the battery via the injection hole.

In some embodiments, the sealing part comprises a guiding portion at a bottom thereof, and  
the guiding portion is connected to the truncated-cone-shaped portion. The guiding portion has an  
inverted and truncated cone shape. An upper surface of the guiding portion has the same diameter  
as that of a bottom surface of the truncated-cone-shaped portion, and the guiding portion has a  
20 length greater than that of the truncated-cone-shaped portion. With the guiding portion, the sealing  
member may be guided and inserted into the injection hole more easily.

In some embodiments, the sealing part is hollow. Because when the sealing part is hollow, the  
sealing member may be pressed, extruded, or inserted into the injection hole more easily.

In some embodiments, a hole is formed in the sealing part and extended through the guiding  
25 portion in a lengthwise direction of the guiding portion. The hole is extended into the  
truncated-cone-shaped portion by a predetermined length and has a dome-shaped upper end, and a  
side wall surface of the hole is transitioned into a bottom surface of the guide portion via an arc  
dome-shaped upper end. With the hole, the sealing member may be extruded or pressed, which  
facilitates to process the sealing member and provides the sealing member with a stable structure  
30 and a strong supporting capability. Further, the dome-shaped upper end of the hole may prevent  
the sealing part from being over-lifted or damaged during the sealing process. With the transition

arc at the bottom of the hole, the assembly for the sealing member is more flexible. Moreover, the transition arc prevents the sealing member from being damaged.

In some embodiments, the supporting portion is configured by a flat plate and a periphery edge of an upper surface of the supporting portion is rounded. When an external force is applied on the operation protrusion, the stress generated on an edge of the supporting portion may be reduced, thus avoiding problems, such as cracks.

In some embodiments, the operation protrusion is disposed at a center of the upper surface of the supporting portion and has a diameter less than that of the supporting portion, and the connecting part is concentric with the supporting portion and the sealing part. Specifically, the centers of the operation protrusion, the supporting portion, the connecting part and the sealing part are located in the same straight line.

In some embodiments, the deformable leg is configured as an arcual block.

In some embodiments, the deformable leg is configured as a column having a circular cross section.

According to embodiments of a second broad aspect of the present disclosure, a battery is provided. The battery comprises a shell, a cover plate having an injection hole and configured to define a cavity with the shell, a core and electrolyte in the cavity, and a sealing member as described above. The deformable leg is supported on the upper surface of the cover plate, the connecting part is disposed in the injection hole, and the sealing part seals the injection hole and adapted to open the injection hole under pressing the operation part.

In some embodiments, the connecting part has a diameter less than that of the injection hole, and the sealing part has a maximum diameter greater than that of the injection hole.

In some embodiments, a covering element is disposed on the cover plate and configured to seal the sealing member together with the cover plate.

### BRIEF DESCRIPTION OF THE DRAWINGS

These and other aspects and advantages of embodiments of the present disclosure will become apparent and more readily appreciated from the following descriptions made with reference to the accompanying drawings, in which:

Fig. 1 is a schematic perspective view of a sealing member according to an embodiment of the present disclosure;

Fig. 2 is a schematic perspective view of a sealing member according to an embodiment of the present disclosure;

Fig. 3 is a cross-sectional view of a sealing member according to an embodiment of the present disclosure, illustrating the injection hole in a cover plate is sealed;

5 Fig. 4 is a cross-sectional view of a sealing member according to an embodiment of the present disclosure, illustrating the injection hole in a cover plate is opened;

Fig. 5 is a schematic perspective view of a sealing member according to another embodiment of the present disclosure; and

10 Fig. 6 is a schematic perspective view of a sealing member according to another embodiment of the present disclosure.

### DETAILED DESCRIPTION

Reference will be made in detail to embodiments of the present disclosure. The embodiments described herein with reference to drawings are explanatory, illustrative, and used to generally understand the present disclosure.

15 In the specification, unless specified or limited otherwise, relative terms such as “central”, “longitudinal”, “lateral”, “front”, “rear”, “right”, “left”, “inner”, “outer”, “lower”, “upper”, “horizontal”, “vertical”, “above”, “below”, “up”, “top”, “bottom” as well as derivative thereof (e.g., “horizontally”, “downwardly”, “upwardly”, etc.) should be construed to refer to the orientation as then described or as shown in the drawings under discussion. These relative terms are for convenience of description and do not require that the present disclosure be constructed or operated in a particular orientation.

The sealing member according to embodiments of the present disclosure will be described with reference to the drawings below.

25 The sealing member may be used to seal the injection hole in the cover plate of a battery such as a lithium ion battery. Those skilled in the art that will appreciate that the battery includes a shell having at least one open end, a core disposed in the shell, electrolyte contained in the shell, and a cover plate configured to close the open end of the shell.

30 The shell is generally made of aluminum or steel, and configured to contain the core and electrolyte. The shell may have one open end, and the current is led out from the open end. The shell may have two open ends, and the current is led out from the two open ends of the battery.

The opening in the open end of the shell may be formed in a shorter side of the shell, and the core is inserted into the shell vertically, and a portion of the core extended out of the opening is used as a terminal of the core, so that the current is led out by the portion of the core.

Alternatively, the opening may be formed in a longer side of the battery, and the core is inserted into the shell horizontally. The portion of the core extended out of the opening is a wound arc edge of the core.

The core is formed by stacking or winding a positive plate, a separator and a negative plate in turn. The structure and the manufacture of the core may be known in related art, thus detailed description thereof will be omitted herein.

Generally, an injection hole is formed in at least one cover plate of the battery. After the cover plate is welded with the shell, the electrolyte is fed into the shell via the injection hole. When the filling of the electrolyte is completed, a one-way sealing valve (member) is inserted into the injection hole. In this way, the injection hole, thereby the battery, is sealed, thus isolating the interior of the battery from the external environment, and preventing impurities and water entering into the battery from the external environmental. Then the battery is subjected to a transformation process, in which the battery is charged for the first time. During the charging process, a lot of gas is generated and will be released out of the battery via the sealing member by applying a pressure. Generally, the gas may be generated only in the transformation process, and less gas is generated when the battery is charged in the subsequent process. Therefore, after the transformation process, a covering element may be welded onto the cover plate and configured to seal the sealing valve (member) and thereby to further seal the injection hole. The covering element generally has a cylindrical projection on the center thereof and is made of metal.

As shown in Figs. 1-6, a sealing member (may be referred to as "sealing valve") 6 suitable for a battery according to embodiments includes a sealing part 5, an operation part and a connecting part 3 connecting the sealing part 5 and operation part. The operation part has a supporting portion 2, an operation protrusion 1 disposed on an upper surface of the supporting portion 2, and a deformable leg 4 depending from a bottom surface of the supporting portion 2.

The sealing part 5 has a maximum diameter greater than that of the connecting part 3. In one embodiment, the sealing part 5 is longer than the connecting part 3, in other words, the size of the sealing part 5 in the up and down direction in Fig. 3 is larger than that of the connecting part 3.

The sealing member 6 may be used to seal an injection hole 8 of a battery such as a lithium

ion battery during the transformation process of the battery. Particularly the battery may be high in capacity, for example, a lithium ion power battery, or a lithium ion energy storage battery.

In some embodiments, the sealing member 6 is made of elastic materials, for example, non-metallic materials having good resilience. By way of example and without limitations, the sealing member 6 may be made of polytetrafluoroethylene (TPFE), ethylene propylene diene monomer (EPMD), and fluoride rubbers. In one embodiment, the sealing member 6 is integrally made of a rubber by using a molding process, such as an injection molding process.

In some embodiments, when the sealing member 6 is inserted into the injection hole 8, the deformable leg 4 is supported onto the upper surface of the cover plate 7, in other words, the deformable leg 4 is pressed onto the upper surface of the cover plate 7 under a pull from the connecting part 3 and the sealing part 5.

In some embodiments, the operation protrusion 1 is disposed on the upper surface of the supporting portion 2. An external force may be applied on the operation protrusion 1, then a pressure brought by the external force on the supporting portion 2 may be buffered, which provides the supporting portion 2 with a better mechanical performance. By providing the operation protrusion 1 on the supporting portion 2, the supporting portion 2 is avoided from blocking the injection hole 8 when the external force is applied. Thus, gas may be released successfully from the inside of the battery.

In one embodiment, as shown in Fig. 1, the operation protrusion 1 may be a projected portion extended out from the upper surface of the supporting portion 2. There are no particularly limitations to the shape of the operation protrusion 1. For example, the operation protrusion 1 may have a cross section of trigon (as shown in Fig. 5), square, and oval. In the embodiment shown Fig. 1, the operation protrusion 1 is a cylinder, in which a diameter of a bottom surface of the cylinder is smaller than that of the supporting portion 2. For example, the diameter of the bottom surface of the cylinder is about 50% to about 60% of that of the supporting portion 2, and the height of the cylinder is about 1 to about 1.5 times of that of the supporting portion 2.

In some embodiments, the operation protrusion 1 is disposed on a center of the upper surface of the supporting portion 2. In this way, the external force may be distributed on the supporting portion 2 uniformly. Specially, the centers of the operation protrusion 1, the supporting portion 2, the connecting part 3, and the sealing part 5 are in the same straight line.

In some embodiments, as shown in Fig.3, the supporting portion 2 pulls the connecting part 3

upwardly under the action of the deformable leg 4. In some embodiments, the diameter of the supporting portion 2 is greater than that of the injection hole 8. The cross section of the supporting portion 2 may be square or oval. The thickness of the supporting portion 2 is not limited in the present disclosure, for example, the support portion 2 is 1.5 mm to 3 mm in thickness. In one  
5 embodiment, the supporting portion 2 is a flat plate. In another embodiment, the supporting plate may be a circular plate having a thickness of 2 mm.

In some embodiments, the supporting portion 2 has an arcual free upper surface. When the external force is applied on the operation protrusion 1, for example, the operation protrusion 1 is pressed by an operator, a strain generated on the edge of the supporting portion 2 may be reduced,  
10 thus avoiding cracking problems.

In some embodiments, when the sealing member 6 is inserted into the injection hole 8, the sealing part 5 is located below the upper surface of the cover plate 7, and the operation part is located above the upper surface of the cover plate 7.

The shape of the connecting part 3 may be designed according the shape of the injection hole  
15 8. Generally, the connecting part 3 is a cylinder having a diameter slightly smaller than that of the injection hole 8. The connecting part 3 is movable (for example, movable upwardly or downwardly in Fig. 3) in the injection hole 8, while gas may be released via a gap between the connecting part 3 and the cover plate 7. In one embodiment, the connecting part 3 is disposed on  
20 the center of the bottom surface of the supporting portion 2 and the center of the upper surface of the sealing part 5. The operation part may include one or more deformable legs 4, and the deformable legs 4 are distributed evenly at a periphery of the bottom surface of the supporting portion 2.

In some embodiments, the deformable leg 4 is extended from the bottom surface of the supporting portion 2 and has a length greater than that of the connecting part 3. In addition, the  
25 deformable leg 4 is elastic. The supporting portion 2 normally pulls the connecting part 3 to move upwardly under the recovering elastic force of the deformable leg 4, thus pulling the sealing part 5 upwardly and sealing the injection hole 8 accordingly. When the operation protrusion 1 is pressed by an external force, the elastic deformable leg 4 moves downwardly under the external force, and the sealing part 5 moves downwardly and is separated from the wall of the injection hole 8. In this  
30 way, a gap may be formed between the sealing part 5 and the cover plate 7, and the gas inside the battery may be released via the gap.

In some embodiments, the operation part includes one deformable leg 4 configured as a sleeve and disposed at the bottom surface of the supporting portion 2. In this embodiment, the deformable leg 4 is capable of releasing gas therein when being compressed. For example, a ventilation hole or a slot may be formed in the deformable leg 4 so that gas inside the deformable leg 4 may be released through the ventilation hole or the slot.

In some embodiments, the operation part includes a plurality of deformable legs 4 disposed evenly at a peripheral of the bottom surface of the supporting portion 2 and distributed symmetrically relative to the connecting part 3. The deformable legs 4 are spaced apart from the connecting part 3, so that the gas can be released from the intervals between adjacent deformable legs 4. In this way, the supporting portion 2 is supported by the deformable legs 4 stably and uniformly on the cover plate of the battery.

The shape of the deformable leg 4 is not limited, which may be a cylinder (as shown in Fig. 6), a cone, a diamond and a truncated cone. In one embodiment, a cross-section of the deformable leg 4 is a segment of circular ring, and the cross-section area of the deformable leg 4 is decreased gradually from up to down in Figs. 1 and 2. In some embodiments, the deformable leg 4 has an arcual free end surface to be contacted with the upper surface of the cover plate 7, so that damages to the cover plate 7 and the deformable legs 4 may be avoided. Further, the arcual free end surface facilitates the supporting portion 2 to withstand the external force.

In one embodiment, the deformable leg 4 is configured as an arcual block. Alternatively, the deformable leg 4 is configured as a column having a circular cross section.

In some embodiments, when the sealing member 6 is mounted to the cover plate 7, the sealing part 5 is in the shell of the battery, and the maximum diameter of the sealing part 5 is greater than that of the injection hole 8, so that the injection hole 8 is sealed by the sealing part 5. There is no limit to the shape of the sealing part 5, as long as the sealing part 5 can seal the injection hole 8.

In some embodiments, the sealing part 5 is hollow. During inserting the sealing part 5 through the injection hole 8, the sealing part 5 may retract, thus facilitating the insertion of the sealing part 5 through the injection hole 8.

In some embodiments, the sealing part 5 includes a truncated-cone-shaped portion 51 connected with the connecting part 3. The diameter of the upper surface of the truncated-cone-shaped portion 51 may be the same as that of the connecting part 3. With the

truncated-cone-shaped portion 51, it is more convenient to seal and open the injection hole 8, thus improving the gas release efficiency of the battery. In addition, it prevents water from entering into the interior of the battery.

In some embodiments, the sealing part 5 includes a guiding portion 52 at the bottom thereof.

5 The guiding portion 5 may have any shape having a guiding function, such as a cone. By providing the guiding portion 52, it is more convenient to insert the sealing part 5 through the injection hole 8.

As shown in Fig. 3, the guiding portion 52 is connected with the truncated-cone-shaped portion 51. The guiding portion 52 has an inverted and truncated cone shape. An upper surface of the guiding portion 52 has the same diameter as that of a bottom surface of the truncated-cone-shaped portion 51, and the guiding portion 52 has a length greater than that of the truncated-cone-shaped portion 51. In one embodiment, a hole 53 is formed in the guiding portion 52 and extended through the guiding portion 52 in an up-down direction in Fig.3, so that the sealing part 5 is configured to have a hollow structure. The hole 53 is extended into the truncated-cone-shaped portion 51 so as to form a dome-shaped upper end 54, and a side wall surface of the hole 53 is transitioned into a bottom surface of the guide portion 52 via arc, thus facilitating the movement of the sealing part 5.

The length of the guiding portion 52 may be greater than that of the truncated-cone-shaped portion 51, thus facilitating the assembly of the sealing member 6. With the dome-shaped upper end 54, the sealing member 6 has a stable structure and a strong supporting capability. Further, the dome-shaped upper end 54 may prevent the sealing part 5 from being overly moved upwards or damaged during sealing process. The side wall surface of the hole 53 is transitioned into the bottom surface of the guide portion 52 via arc, thus the assembly of the sealing member 6 is more flexibly. Moreover, the transition arc prevents the sealing member 6 from being damaged.

25 A battery including the sealing member 6 described above will be explained below in detail.

As shown in Figs. 3 and 4, the battery includes a shell (not shown), a cover plate 7 having an injection hole 8 and configured to define a cavity with the shell, a core (not shown) and electrolyte (not shown) contained in the cavity, and a sealing member which may be the sealing member 6 described above. The deformable leg 4 is supported onto the upper surface of the cover plate 7, the connecting part 3 is in the injection hole 8, and the sealing part 5 seals the injection hole 8 and adapted to open the injection hole 8 under pressing the operation part.

In some embodiments, the connecting part 3 has a diameter smaller than that of the injection hole 8, and the sealing part 5 has a maximum diameter greater than that of the injection hole 8.

In some embodiments, a covering element (not shown) is disposed on the cover plate 7 and configured to seal the sealing member 6 together with the cover plate 7.

5 The sealing and gas-release process of the battery according to embodiments of the present disclosure will be described below with reference to Figs. 3 and 4.

As shown in Figs. 3, the battery is in a sealed state. When the sealing member 6 is mounted to the cover plate and no external force is applied on the sealing member 6, the deformable legs 4 are deformed, i.e., the deformable legs 4 are compressed onto the upper surface of the cover plate 7.

10 As the diameter of the connecting part 3 is smaller than that of the injection hole 8, the connecting part 3 and the sealing part 5 are pulled upwards by the supporting portion 2 under the elastic force of the deformable legs 4. Because the maximum diameter of the sealing part 5 is larger than that of the injection hole 8, the sealing part 5 seals the injection hole 8 when the sealing part 5 comes into contact with covering plate 7.

15 As shown in Fig. 4, the battery is in a gas-release state. When an external force is applied on the sealing member 6, for example, the operation protrusion 1 is pressed by the external force, the deformable leg 4 is further compressed. The connecting part 3 and the sealing part 5 move downwardly. When the sealing part 5 is separated from the cover plate, a gap is formed between the sealing part 5 and the cover plate 7, thus opening the injection hole 8, so that the gas inside the  
20 battery may be released via the gap.

When the external force applied on the operation protrusion 1 is removed, the sealing part 5 moves upwardly under the recovering elastic force of the deformable leg 4. When the sealing part 5 comes into contact with the cover plate 7, the injection hole 8 is sealed by the sealing part 5 again.

25 In embodiments of the present disclosure, the deformable leg 4 is in a deformed state (compressed onto the upper surface of the cover plate) after the sealing member 6 is mounted to the cover plate 7. As the deformable leg 4 is deformable and tends to recover. The connecting part together with the sealing part is driven to move upward under the recovering elastic force of deformable legs. As described above, the diameter of the sealing part is larger than that of the  
30 connecting part, so the injection hole may be sealed by the sealing part.

When the sealing member is pressed, such as an external force is applied on the operation

protrusion, the deformable legs are further compressed and the sealing part opens the injection hole. Then a gap may be formed between the cover plate and the sealing part, and the gas inside the battery may be released via the gap.

In addition, when the external force is removed, the deformable legs tend to recover from the deformed state and stretches upwardly, thus pulling the connecting part upwards. Then the sealing part may be moved upwards with the connecting part under the pulling of the deformable legs. In this way, the sealing part may seal the injection hole again, thus the battery is sealed.

As described above, with the upward and downward movements of the sealing member, the sealing member seals and opens the injection hole accordingly. With the guiding portion, it is easier to insert the sealing part through the injection hole.

Although explanatory embodiments have been shown and described, it would be appreciated by those skilled in the art that the above embodiments cannot be construed to limit the present disclosure, and changes, alternatives, and modifications can be made in the embodiments without departing from spirit, principles and scope of the present disclosure.

15

What is claimed is:

1. A sealing member for a battery, comprising:

a sealing part;

an operation part having a supporting portion, an operation protrusion disposed on an upper  
5 surface of the supporting portion, and a deformable leg depending from a bottom surface of the  
supporting portion; and

a connecting part connecting the sealing part and the operation part,

wherein the sealing part has a maximum diameter greater than that of the connecting part.

2. The sealing member according to claim 1, wherein the deformable leg is longer than the  
10 connecting part.

3. The sealing member according to claim 1 or 2, wherein at least two deformable legs are  
distributed evenly at a periphery of the bottom surface of the supporting portion and spaced apart  
from each other.

4. The sealing member according to any one of claims 1-3, wherein the deformable leg has an  
15 arcual free end surface.

5. The sealing member according to any one of claims 1-4, wherein the sealing part comprises  
a truncated-cone-shaped portion connected with the connecting part.

6. The sealing member according to claim 5, wherein the sealing part comprises a guiding  
portion at a bottom thereof, and the guiding portion is connected to the truncated-cone-shaped  
20 portion,

wherein the guiding portion has an inverted and truncated cone shape,

wherein an upper surface of the guiding portion has the same diameter as that of a bottom  
surface of the truncated-cone-shaped portion,

wherein the guiding portion has a length greater than that of the truncated-cone-shaped  
25 portion.

7. The sealing member according to claim 6, wherein the sealing part is hollow.

8. The sealing member according to claim 7, wherein a hole is formed in the sealing part and  
extended through the guiding portion in a length direction of the guiding portion,

wherein the hole is extended into the truncated-cone-shaped portion by a predetermined  
30 length and has a dome-shaped upper end,

wherein a side wall surface of the hole is transitioned into a bottom surface of the guide

portion via arc.

9. The sealing member according to any one of claims 1-8, wherein the supporting portion is configured by a flat plate and a periphery edge of an upper surface of the supporting portion is rounded.

5 10. The sealing member according to any one of claims 1-9, wherein the operation protrusion is disposed at a center of the upper surface of the supporting portion and has a diameter smaller than that of the supporting portion, and the connecting part is concentric with the supporting portion and the sealing part.

10 11. The sealing member according to any one of claims 1-10, wherein the deformable leg is configured as an arcual block.

12. The sealing member according to any one of claims 1-10, wherein the deformable leg is configured as a column having a circular cross section.

13. A battery comprising:

a shell;

15 a cover plate having an injection hole and configured to define a cavity with the shell;

a core and electrolyte in the cavity; and

a sealing member according to any of claims 1-12,

20 wherein the deformable leg is supported on the upper surface of the cover plate, the connecting part is disposed in the injection hole, and the sealing part seals the injection hole and adapted to open the injection hole under pressing the operation part.

14. The battery according to claim 13, wherein the connecting part has a diameter smaller than that of the injection hole, and the sealing part has a maximum diameter greater than that of the injection hole.

25 15. The battery according to claim 13 or 14, wherein a covering element is disposed on the cover plate and configured to seal the sealing member together with the cover plate.

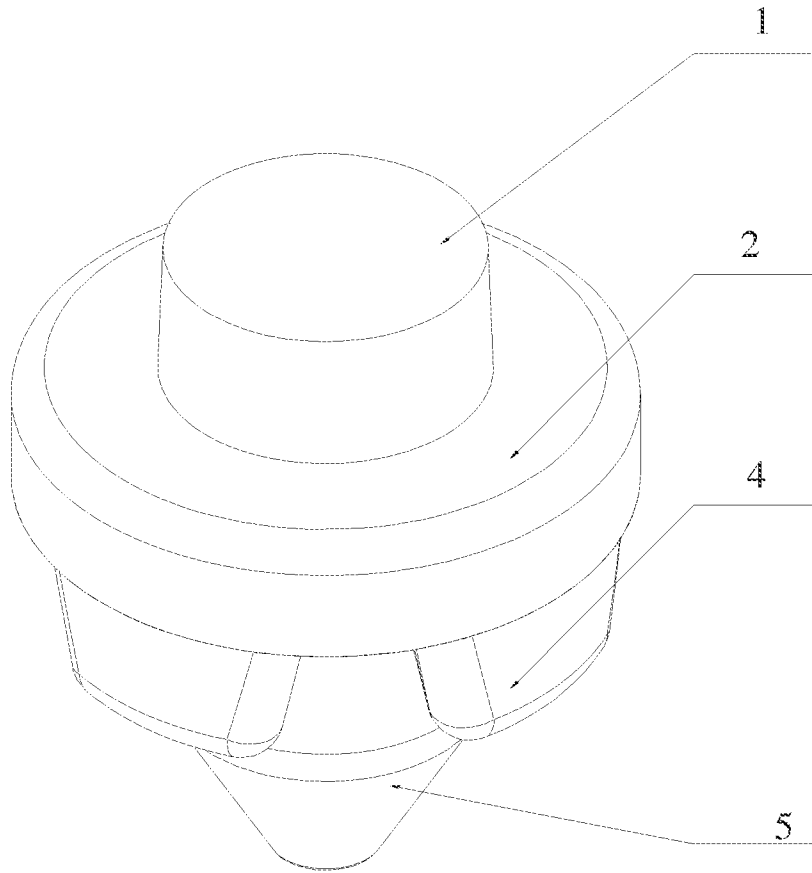


Fig. 1

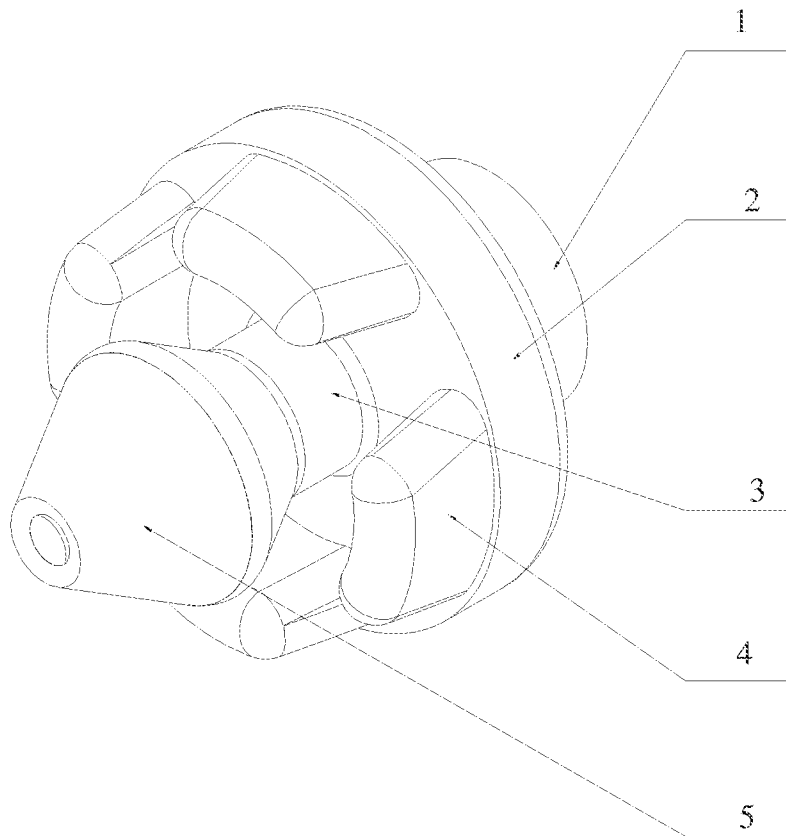


Fig. 2

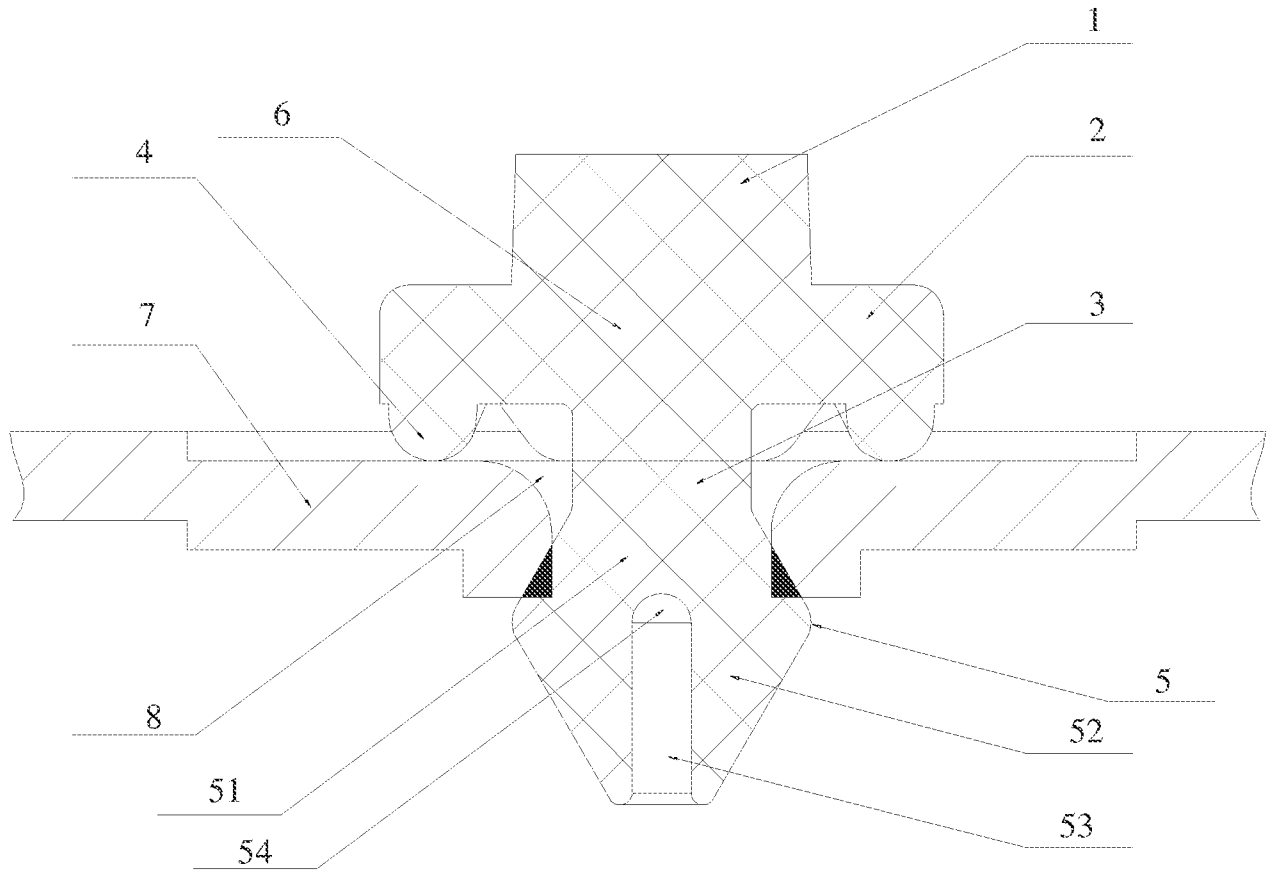


Fig. 3

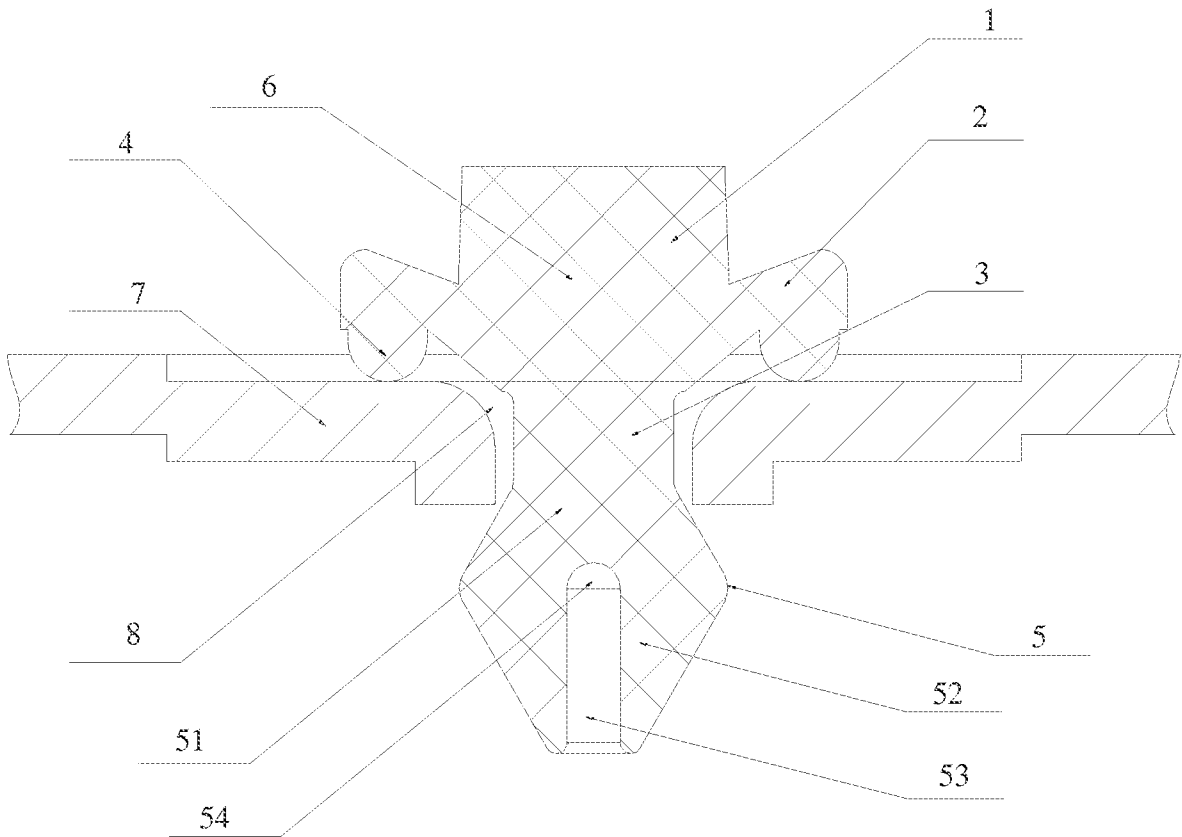


Fig. 4

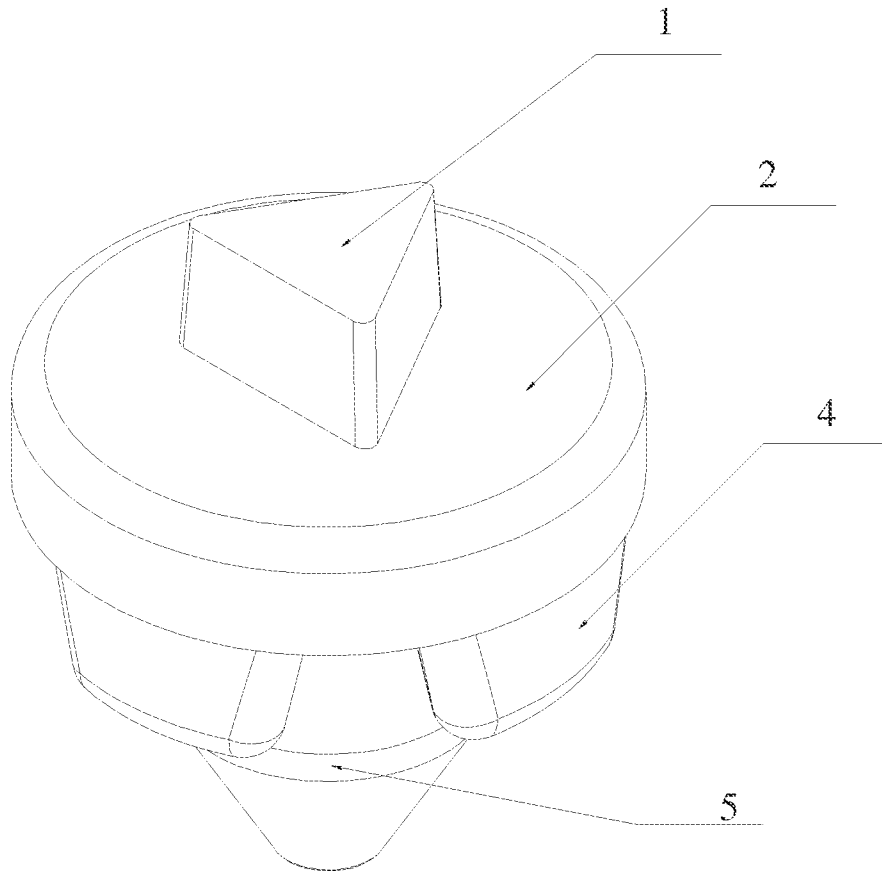


Fig. 5

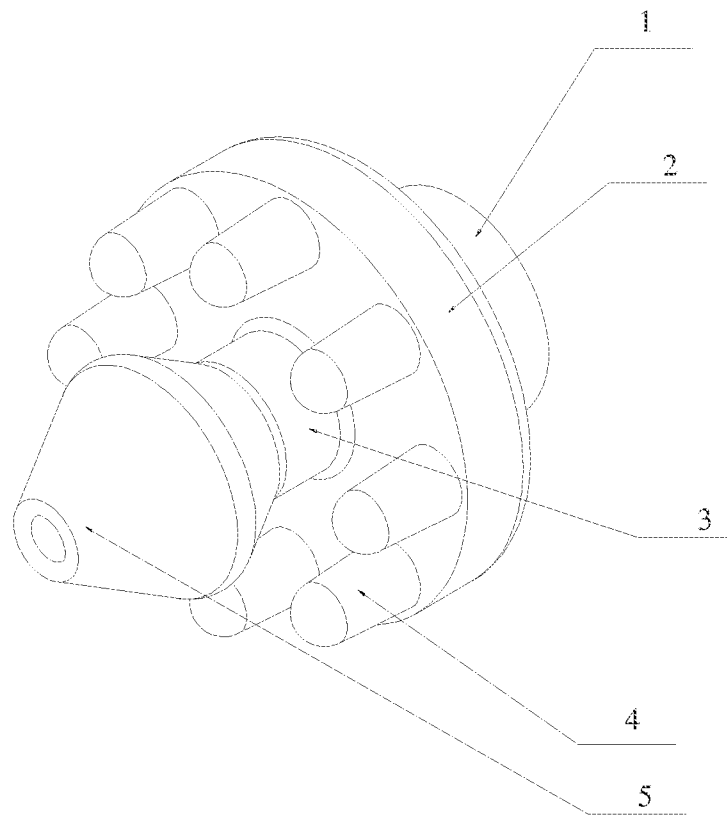


Fig. 6

**INTERNATIONAL SEARCH REPORT**

International application No.

PCT/CN2013/084459

**A. CLASSIFICATION OF SUBJECT MATTER**

See the extra sheet

According to International Patent Classification (IPC) or to both national classification and IPC

**B. FIELDS SEARCHED**

Minimum documentation searched (classification system followed by classification symbols)

IPC: H01M

Documentation searched other than minimum documentation to the extent that such documents are included in the fields searched

Electronic data base consulted during the international search (name of data base and, where practicable, search terms used)

WPI,EPODOC,CNKI,ISI,CNPAT: battery, lithium, seal, valve, gas, electrolyte, inject???

**C. DOCUMENTS CONSIDERED TO BE RELEVANT**

Category*	Citation of document, with indication, where appropriate, of the relevant passages	Relevant to claim No.
PX	CN 203013829 U (HUIZHOU BYD BATTERY CO., LTD.) 19 June 2013 (19.06.2013) description, paragraphs 0004-0044, figures 1-6	1-15
X	CN 201946657 U (SHANGHAI BYD CO., LTD.) 24 August 2011 (24.08.2011) description, paragraphs 0020-0043, figure 6	1-4, 9-15
Y		5-8
Y	CN 101313378 A (MATSUSHITA DENKI SANGYO KK.) 26 November 2008 (26.11.2008) description, pages 3-14, figures 2B, 4B and 5B	5-8

 Further documents are listed in the continuation of Box C. See patent family annex.

* Special categories of cited documents:	“T” later document published after the international filing date or priority date and not in conflict with the application but cited to understand the principle or theory underlying the invention
“A” document defining the general state of the art which is not considered to be of particular relevance	“X” document of particular relevance; the claimed invention cannot be considered novel or cannot be considered to involve an inventive step when the document is taken alone
“E” earlier application or patent but published on or after the international filing date	“Y” document of particular relevance; the claimed invention cannot be considered to involve an inventive step when the document is combined with one or more other such documents, such combination being obvious to a person skilled in the art
“L” document which may throw doubts on priority claim (S) or which is cited to establish the publication date of another citation or other special reason (as specified)	“&” document member of the same patent family
“O” document referring to an oral disclosure, use, exhibition or other means	
“P” document published prior to the international filing date but later than the priority date claimed	

Date of the actual completion of the international search 04 December 2013 (04.12.2013)	Date of mailing of the international search report <b>02 Jan. 2014 (02.01.2014)</b>
--	--

Name and mailing address of the ISA/CN  
The State Intellectual Property Office, the P.R.China  
6 Xitucheng Rd., Jimen Bridge, Haidian District, Beijing, China  
100088  
Facsimile No. 86-10-62019451

Authorized officer

**XU, Guoxiang**

Telephone No. (86-10)61648067

# INTERNATIONAL SEARCH REPORT

International application No.

PCT/CN2013/084459

C (Continuation). DOCUMENTS CONSIDERED TO BE RELEVANT

Category*	Citation of document, with indication, where appropriate, of the relevant passages	Relevant to claim No.
A	CN 202454632 U (BYD CO., LTD.) 26 September 2012 (26.09.2012) the whole document	1-15

**INTERNATIONAL SEARCH REPORT**  
**Information on patent family members**

International application No.  
PCT/CN2013/084459

Patent Documents referred in the Report	Publication Date	Patent Family	Publication Date
CN 203013829 U	19.06.2013	None	
CN 201946657 U	24.08.2011	US 2012171526 A1	05.07.2012
		WO 2012089146 A1	05.07.2012
CN 101313378 A	26.11.2008	WO 2007069538 A1	21.06.2007
		EP 1962309 A1	27.08.2008
		JPWO 2007069538 A1	21.05.2009
		US 2009273886 A1	05.11.2009
		US 7830647 B2	09.11.2010
		JP 5012511 B2	29.08.2012
CN 202454632 U	26.09.2012	None	

# INTERNATIONAL SEARCH REPORT

International application No.

PCT/CN2013/084459

Continuation of A. CLASSIFICATION OF SUBJECT MATTER

H01M 2/12 (2006.01) i

H01M 10/0525 (2010.01) n