



US00D470930S

(12) **United States Design Patent**
Tani

(10) **Patent No.:** **US D470,930 S**

(45) **Date of Patent:** **** Feb. 25, 2003**

(54) **SINK BOWL**

D361,830 S * 8/1995 Segenschmid D23/293.1

D408,898 S * 4/1999 Kaiser D23/284

D434,124 S * 11/2000 McKeone D23/284

(75) Inventor: **Minoru Tani**, Fukuoka (JP)

(73) Assignee: **Toto Ltd.**, Fukuoka (JP)

* cited by examiner

(**) Term: **14 Years**

Primary Examiner—Louis S. Zarfes

Assistant Examiner—Robert A Delehanty

(21) Appl. No.: **29/163,051**

(74) *Attorney, Agent, or Firm*—Birch, Stewart, Kolasch & Birch, LLP

(22) Filed: **Jun. 27, 2002**

(57) **CLAIM**

(30) **Foreign Application Priority Data**

Jan. 28, 2002 (JP) 2002-001685

The ornamental design for a sink bowl, as shown and described.

(51) **LOC (7) Cl.** **23-02**

DESCRIPTION

(52) **U.S. Cl.** **D23/293.1**

FIG. 1 is a front perspective view of a sink bowl showing my new design;

FIG. 2 is a top plan view thereof;

(58) **Field of Search** D23/284–285,

D23/287, 290, 292, 293.1, 308; 4/619,

624–625, 627, 631–635, 637–640, 642–652,

656, 660

FIG. 3 is a bottom plan view thereof;

FIG. 4 is a front elevational view thereof;

FIG. 5 is a rear elevational view thereof; and,

FIG. 6 is a right side elevational view, the left side being a mirror image thereof.

(56) **References Cited**

U.S. PATENT DOCUMENTS

D292,609 S * 11/1987 Kolada D23/293.1

D340,970 S * 11/1993 Kohler, Jr. et al. D23/293.1

1 Claim, 2 Drawing Sheets

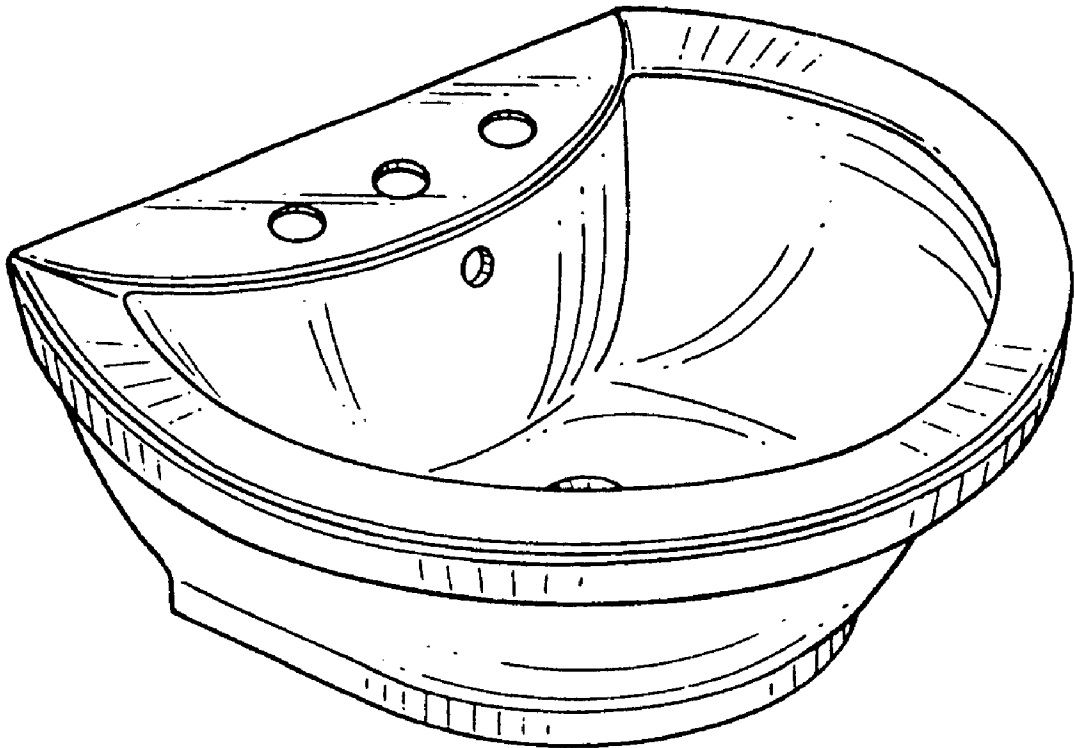


FIG. 1

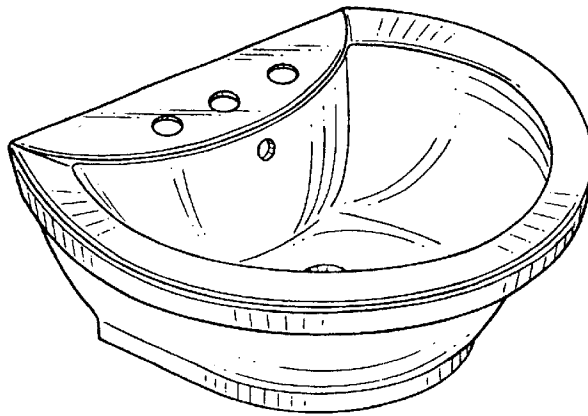


FIG. 2

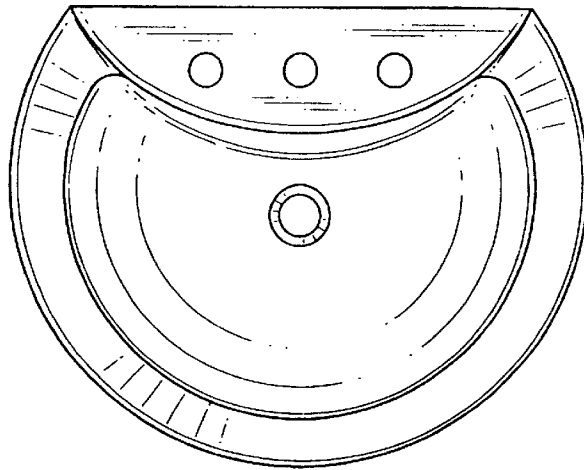


FIG. 3

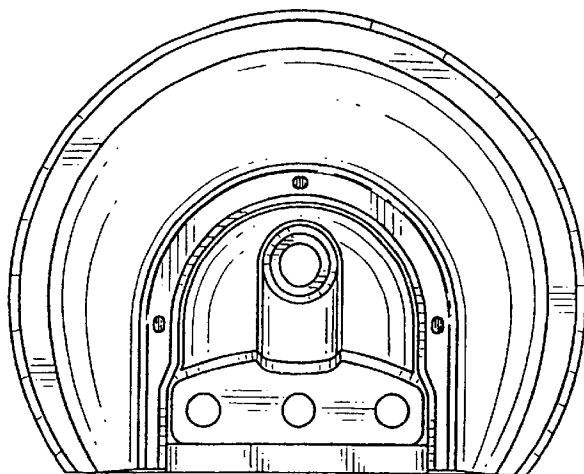


FIG. 4

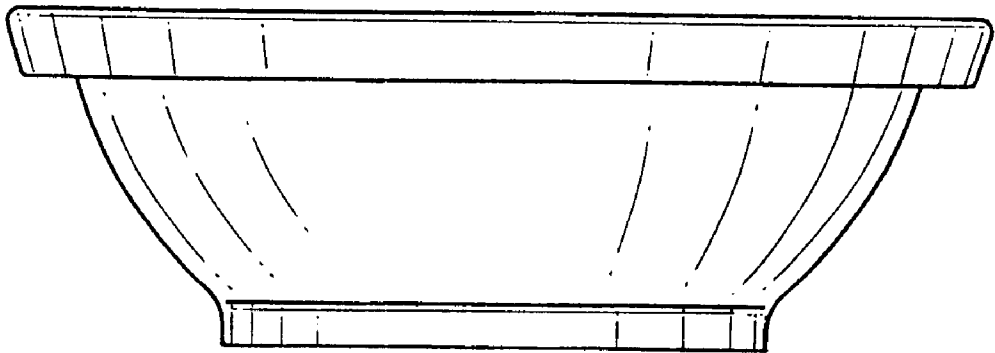


FIG. 5

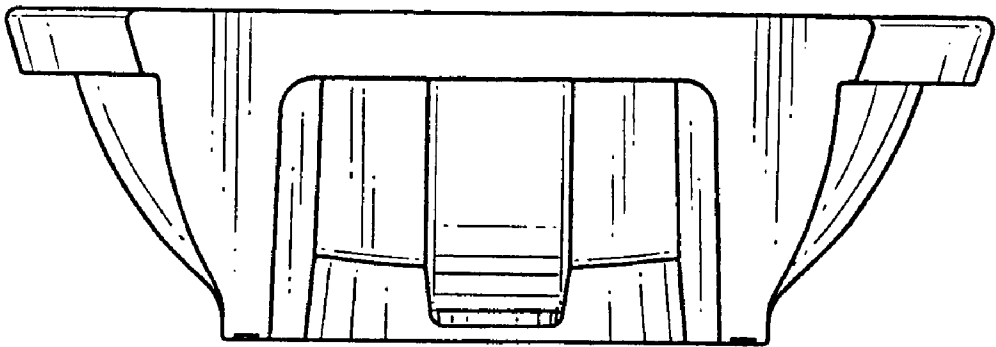


FIG. 6

