

(19) World Intellectual Property Organization
International Bureau



(43) International Publication Date
20 September 2001 (20.09.2001)

PCT

(10) International Publication Number
WO 01/69008 A3

(51) International Patent Classification⁷: E04G 3/10

(21) International Application Number: PCT/GB01/01107

(22) International Filing Date: 14 March 2001 (14.03.2001)

(25) Filing Language: English

(26) Publication Language: English

(30) Priority Data:
0006158.0 14 March 2000 (14.03.2000) GB

(71) Applicant and

(72) Inventor: MURPHY, Patrick, Anthony [GB/GB];
Sarum, 18 Allenby Crescent, Grays, Essex RM17 6DH
(GB).

(74) Agent: STURT, Clifford, Mark; Miller Sturt Kenyon, 9
John Street, London WC1N 2ES (GB).

(81) Designated States (*national*): AE, AG, AL, AM, AT, AU, AZ, BA, BB, BG, BR, BY, BZ, CA, CH, CN, CR, CU, CZ, DE, DK, DM, DZ, EE, ES, FI, GB, GD, GE, GH, GM, HR, HU, ID, IL, IN, IS, JP, KE, KG, KP, KR, KZ, LC, LK, LR, LS, LT, LU, LV, MA, MD, MG, MK, MN, MW, MX, MZ, NO, NZ, PL, PT, RO, RU, SD, SE, SG, SI, SK, SL, TJ, TM, TR, TT, TZ, UA, UG, US, UZ, VN, YU, ZA, ZW.

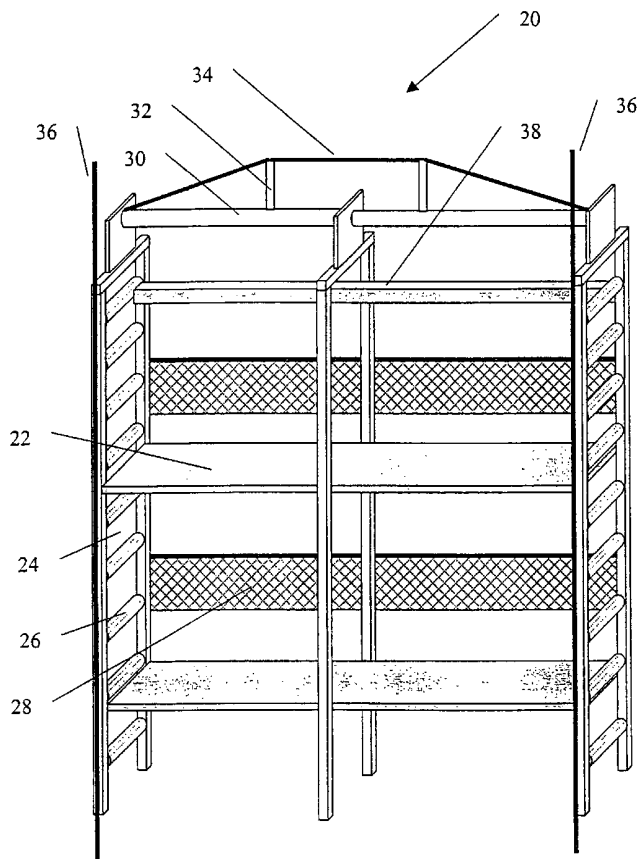
(84) Designated States (*regional*): ARIPO patent (GH, GM, KE, LS, MW, MZ, SD, SL, SZ, TZ, UG, ZW), Eurasian patent (AM, AZ, BY, KG, KZ, MD, RU, TJ, TM), European patent (AT, BE, CH, CY, DE, DK, ES, FI, FR, GB, GR, IE, IT, LU, MC, NL, PT, SE, TR), OAPI patent (BF, BJ, CF, CG, CI, CM, GA, GN, GW, ML, MR, NE, SN, TD, TG).

Published:

- with international search report
- before the expiration of the time limit for amending the claims and to be republished in the event of receipt of amendments

[Continued on next page]

(54) Title: SCAFFOLDING SYSTEM



(57) Abstract: A scaffolding system is provided. The scaffolding system comprises a suspension cable, at least one restraint wire comprising a portion for securing to a structure and a scaffolding unit for suspension from a structure by means of the suspension cable. The scaffolding unit comprises at least one restraint guide for the restraint wire, and the at least one restraint wire is for controlling the position of the scaffolding unit in a direction perpendicular to a direction of suspension. The scaffolding system provides for an increase in flexibility of use and a reduction in installation and operating costs, whilst meeting safety requirements.



WO 01/69008 A3



(88) Date of publication of the international search report:
20 December 2001

For two-letter codes and other abbreviations, refer to the "Guidance Notes on Codes and Abbreviations" appearing at the beginning of each regular issue of the PCT Gazette.

INTERNATIONAL SEARCH REPORT

International Application No

PCT/GB 01/01107

A. CLASSIFICATION OF SUBJECT MATTER
IPC 7 E04G3/10

According to International Patent Classification (IPC) or to both national classification and IPC

B. FIELDS SEARCHED

Minimum documentation searched (classification system followed by classification symbols)
IPC 7 E04G

Documentation searched other than minimum documentation to the extent that such documents are included in the fields searched

Electronic data base consulted during the international search (name of data base and, where practical, search terms used)

EPO-Internal, WPI Data, PAJ

C. DOCUMENTS CONSIDERED TO BE RELEVANT

Category °	Citation of document, with indication, where appropriate, of the relevant passages	Relevant to claim No.
X	FR 1 375 395 A (THORAVAL LUCIEN PAUL) 29 January 1965 (1965-01-29) the whole document	1-5,7
Y	---	8
A		6
X	US 3 661 226 A (FISHER SIDNEY L) 9 May 1972 (1972-05-09) column 2, line 29 -column 6, line 35 figures 1,2	1-4,6,9, 10,40
Y		8
A		7
X	US 3 967 699 A (JASCH ERICH) 6 July 1976 (1976-07-06) column 2, line 4 -column 4, line 59 figures	1-4,6,7, 10
A	---	8
	-/--	

Further documents are listed in the continuation of box C.

Patent family members are listed in annex.

° Special categories of cited documents :

"A" document defining the general state of the art which is not considered to be of particular relevance

"E" earlier document but published on or after the international filing date

"L" document which may throw doubts on priority claim(s) or which is cited to establish the publication date of another citation or other special reason (as specified)

"O" document referring to an oral disclosure, use, exhibition or other means

"P" document published prior to the international filing date but later than the priority date claimed

"T" later document published after the international filing date or priority date and not in conflict with the application but cited to understand the principle or theory underlying the invention

"X" document of particular relevance; the claimed invention cannot be considered novel or cannot be considered to involve an inventive step when the document is taken alone

"Y" document of particular relevance; the claimed invention cannot be considered to involve an inventive step when the document is combined with one or more other such documents, such combination being obvious to a person skilled in the art.

"&" document member of the same patent family

Date of the actual completion of the international search

11 June 2001

Date of mailing of the international search report

9. 10. 2001

Name and mailing address of the ISA

European Patent Office, P.B. 5818 Patentlaan 2
NL - 2280 HV Rijswijk
Tel. (+31-70) 340-2040, Tx. 31 651 epo nl,
Fax: (+31-70) 340-3016

Authorized officer

Andlauer, D

INTERNATIONAL SEARCH REPORT

International Application No

PCT/GB 01/01107

C.(Continuation) DOCUMENTS CONSIDERED TO BE RELEVANT

Category °	Citation of document, with indication, where appropriate, of the relevant passages	Relevant to claim No.
X	US 3 220 509 A (SIDNEY L. FISCHER) 30 November 1965 (1965-11-30) figures column 4, line 8 -column 9, line 61	1-4,6,9
A	---	7,8,10
X	US 2 645 531 A (RECTOR NELSON H.) 14 July 1953 (1953-07-14) column 4, line 9 -column 5, line 22 figures	1-4,7
A	---	6,8
X	US 4 421 205 A (VRANISH JOHN M ET AL) 20 December 1983 (1983-12-20) figures 1,2 -----	1

INTERNATIONAL SEARCH REPORT

International application No.
PCT/GB 01/01107

Box I Observations where certain claims were found unsearchable (Continuation of item 1 of first sheet)

This International Search Report has not been established in respect of certain claims under Article 17(2)(a) for the following reasons:

1. Claims Nos.:
because they relate to subject matter not required to be searched by this Authority, namely:

2. Claims Nos.:
because they relate to parts of the International Application that do not comply with the prescribed requirements to such an extent that no meaningful International Search can be carried out, specifically:

3. Claims Nos.:
because they are dependent claims and are not drafted in accordance with the second and third sentences of Rule 6.4(a).

Box II Observations where unity of invention is lacking (Continuation of item 2 of first sheet)

This International Searching Authority found multiple inventions in this international application, as follows:

see additional sheet

1. As all required additional search fees were timely paid by the applicant, this International Search Report covers all searchable claims.
2. As all searchable claims could be searched without effort justifying an additional fee, this Authority did not invite payment of any additional fee.
3. As only some of the required additional search fees were timely paid by the applicant, this International Search Report covers only those claims for which fees were paid, specifically claims Nos.:
4. No required additional search fees were timely paid by the applicant. Consequently, this International Search Report is restricted to the invention first mentioned in the claims; it is covered by claims Nos.:
1-10, 39-41

Remark on Protest

- The additional search fees were accompanied by the applicant's protest.
- No protest accompanied the payment of additional search fees.

FURTHER INFORMATION CONTINUED FROM PCT/ISA/ 210

This International Searching Authority found multiple (groups of) inventions in this international application, as follows:

1. Claims: 1-10, and 39-41 when dependent on 1-10

Restraint device for controlling the scaffolding unit in a direction perpendicular to a direction of suspension.

2. Claims: 11-21 and 39-41 when dependent on 11-21

Scaffolding anchor points which are at the bottom of a already completed building.

3. Claims: 22-31 and 39-41 when dependent on 22-31

Removable scaffolding unit.

4. Claims: 32-38 and 39-41 when dependent on 32-38

Removable scaffolding supporting member.

5. Claims: 42,43

Scaffolding attachments for vertical portions of the structure.

6. Claims: 44,45

Self supporting multi-stage suspendable scaffold.

7. Claim : 46

Arrangement for suspending two scaffolding units on opposing exterior faces of the building.

INTERNATIONAL SEARCH REPORT

Information on patent family members

International Application No

PCT/GB 01/01107

Patent document cited in search report	Publication date	Patent family member(s)	Publication date
FR 1375395 A	29-01-1965	NONE	

US 3661226 A	09-05-1972	NONE	

US 3967699 A	06-07-1976	DE 2400313 A	21-08-1975
		AT 333322 B	10-11-1976
		AT 1011174 A	15-03-1976
		AU 7708275 A	08-07-1976
		BE 823899 A	16-04-1975
		ES 433110 A	16-11-1976
		FR 2257000 A	01-08-1975
		GB 1459695 A	22-12-1976
		IT 1027913 B	20-12-1978
		JP 53029941 B	24-08-1978
		JP 50107545 A	25-08-1975
		NL 7416301 A	08-07-1975
		ZA 7500007 A	28-01-1976

US 3220509 A	30-11-1965	NONE	

US 2645531 A	14-07-1953	NONE	

US 4421205 A	20-12-1983	NONE	
