

(19) World Intellectual Property Organization
International Bureau



(43) International Publication Date
19 July 2007 (19.07.2007)

PCT

(10) International Publication Number
WO 2007/082083 A3

- (51) International Patent Classification:
G05D 7/00 (2006.01)
- (21) International Application Number:
PCT/US2007/000939
- (22) International Filing Date: 12 January 2007 (12.01.2007)
- (25) Filing Language: English
- (26) Publication Language: English
- (30) Priority Data:
60/758,506 12 January 2006 (12.01.2006) US
- (71) Applicant (for all designated States except US): **THE GORMAN-RUPP COMPANY** [US/US]; 305 Bowman Street, Mansfield, OH 44901-1217 (US).
- (72) Inventor; and
- (75) Inventor/Applicant (for US only): **YEATER, Tommy, William** [US/US]; 825 Bowers Road, Mansfield, OH 44903 (US).
- (74) Agent: **HLAVKA, John, R.; TAROLLI, SUNDHEIM, COVELL & TUMMINO, LLP**, 1300 East Ninth Street-suite 1700, Cleveland, OH 44114 (US).

- (81) Designated States (unless otherwise indicated, for every kind of national protection available): AE, AG, AL, AM, AT, AU, AZ, BA, BB, BG, BR, BW, BY, BZ, CA, CH, CN, CO, CR, CU, CZ, DE, DK, DM, DZ, EC, EE, EG, ES, FI, GB, GD, GE, GH, GM, GT, HN, HR, HU, ID, IL, IN, IS, JP, KE, KG, KM, KN, KP, KR, KZ, LA, LC, LK, LR, LS, LT, LU, LV, LY, MA, MD, MG, MK, MN, MW, MX, MY, MZ, NA, NG, NI, NO, NZ, OM, PG, PH, PL, PT, RO, RS, RU, SC, SD, SE, SG, SK, SL, SM, SV, SY, TJ, TM, TN, TR, TT, TZ, UA, UG, US, UZ, VC, VN, ZA, ZM, ZW.
- (84) Designated States (unless otherwise indicated, for every kind of regional protection available): ARIPO (BW, GH, GM, KE, LS, MW, MZ, NA, SD, SL, SZ, TZ, UG, ZM, ZW), Eurasian (AM, AZ, BY, KG, KZ, MD, RU, TJ, TM), European (AT, BE, BG, CH, CY, CZ, DE, DK, EE, ES, FI, FR, GB, GR, HU, IE, IS, IT, LT, LU, LV, MC, NL, PL, PT, RO, SE, SI, SK, TR), OAPI (BF, BJ, CF, CG, CI, CM, GA, GN, GQ, GW, ML, MR, NE, SN, TD, TG).

Declaration under Rule 4.17:

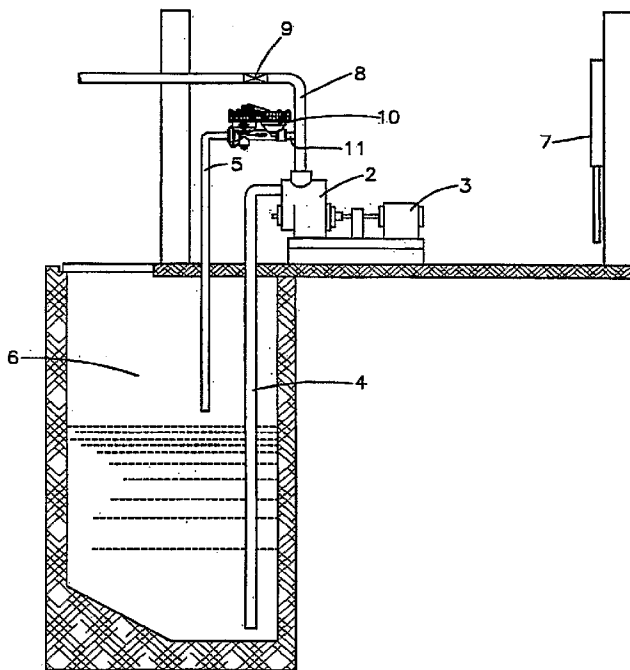
— of inventorship (Rule 4.17(iv))

Published:

— with international search report

[Continued on next page]

(54) Title: AIR RELEASE VALVE



(57) Abstract: A valve assembly is provided that is suitable for use as an air release valve. The valve mechanism is actuated by liquid forced through an orifice by a diaphragm under pressure from the main discharge and is less prone to valve chatter under varying pressure conditions. The use of an externally adjustable orifice and/or regulator allows the valve assembly to operate satisfactorily in a wide range of pressures. The mode of operation of the valve mechanism is externally visible.

WO 2007/082083 A3



— *before the expiration of the time limit for amending the claims and to be republished in the event of receipt of amendments*

For two-letter codes and other abbreviations, refer to the "Guidance Notes on Codes and Abbreviations" appearing at the beginning of each regular issue of the PCT Gazette.

(88) Date of publication of the international search report:

27 December 2007

INTERNATIONAL SEARCH REPORT

International application No.
PCT/US07/00939

A. CLASSIFICATION OF SUBJECT MATTER
IPC(8) - G05D 7/00 (2007.01)
USPC - 251/54
According to International Patent Classification (IPC) or to both national classification and IPC

B. FIELDS SEARCHED

Minimum documentation searched (classification system followed by classification symbols)
IPC(8) - G05D 7/00 (2007.01)
USPC - 137/202, 414, 494, 498, 505, 505.13, 505.25, 505.37, 510; 251/45, 46, 54; 415/27; 417/299

Documentation searched other than minimum documentation to the extent that such documents are included in the fields searched

Electronic data base consulted during the international search (name of data base and, where practicable, search terms used)
USPTO EAST System (US, USPG-PUB, EPO, DERWENT)

C. DOCUMENTS CONSIDERED TO BE RELEVANT

Category*	Citation of document, with indication, where appropriate, of the relevant passages	Relevant to claim No.
X	US 2,579,334 A (PLANK) 18 December 1951 (18.12.1951) entire document	1-6, 9, 13-20
--		-----
Y		7-8, 10-12
Y	US 5,709,239 A (MACALELLO et al) 20 January 1998 (20.01.1998) entire document	7-8, 10
Y	US 6,082,396 A (DAVIDSON) 04 July 2000 (04.07.2000) entire document	11-12

Further documents are listed in the continuation of Box C.

* Special categories of cited documents:

"A" document defining the general state of the art which is not considered to be of particular relevance	"T" later document published after the international filing date or priority date and not in conflict with the application but cited to understand the principle or theory underlying the invention
"E" earlier application or patent but published on or after the international filing date	"X" document of particular relevance; the claimed invention cannot be considered novel or cannot be considered to involve an inventive step when the document is taken alone
"L" document which may throw doubts on priority claim(s) or which is cited to establish the publication date of another citation or other special reason (as specified)	"Y" document of particular relevance; the claimed invention cannot be considered to involve an inventive step when the document is combined with one or more other such documents, such combination being obvious to a person skilled in the art
"O" document referring to an oral disclosure, use, exhibition or other means	"&" document member of the same patent family
"P" document published prior to the international filing date but later than the priority date claimed	

Date of the actual completion of the international search 21 September 2007	Date of mailing of the international search report 05 NOV 2007
--	--

Name and mailing address of the ISA/US Mail Stop PCT, Attn: ISA/US, Commissioner for Patents P.O. Box 1450, Alexandria, Virginia 22313-1450 Facsimile No. 571-273-3201	Authorized officer: Blaine R. Copenheaver PCT Helpdesk: 571-272-4300 PCT OSP: 571-272-7774
---	---