



US00D770521S

(12) **United States Design Patent**  
**Lee et al.**

(10) **Patent No.:** **US D770,521 S**

(45) **Date of Patent:** **\*\* Nov. 1, 2016**

(54) **DISPLAY SCREEN OR PORTION THEREOF WITH ANIMATED GRAPHICAL USER INTERFACE**

D699,744 S \* 2/2014 Ho Kushner ..... D14/488  
D705,244 S \* 5/2014 Arnold ..... D14/486  
D707,249 S \* 6/2014 Yamada ..... D14/488

(Continued)

(71) Applicant: **Samsung Electronics Co., Ltd.**,  
Suwon-si, Gyeonggi-do (KR)

FOREIGN PATENT DOCUMENTS

(72) Inventors: **Yong-Yeon Lee**, Suwon-si (KR);  
**Dong-Goo Kang**, Seoul (KR);  
**Yun-Kyung Kim**, Suwon-si (KR);  
**Hae-Yoon Park**, Seoul (KR); **Ji-Yeon Kwak**, Seoul (KR)

EM 002351411-0009 11/2013

OTHER PUBLICATIONS

(73) Assignee: **SAMSUNG ELECTRONICS CO., LTD.**, Suwon-Si, Gyeonggi-Do (KR)

<http://androidcowboy.com/2012/05/tmz-for-tablets-celecrity-gossip-on-a-tablet-optimized-app/>.

(Continued)

(\*\*) Term: **14 Years**

*Primary Examiner* — Darlington Ly

*Assistant Examiner* — Daniel J Domino

(21) Appl. No.: **29/518,337**

(74) *Attorney, Agent, or Firm* — Ladas & Parry LLP

(22) Filed: **Feb. 23, 2015**

(57) **CLAIM**

We claim the ornamental design for a display screen or portion thereof with animated graphical user interface, as shown and described.

(30) **Foreign Application Priority Data**

**DESCRIPTION**

Sep. 11, 2014 (KR) ..... 30-2014-0044038

(51) **LOC (10) Cl.** ..... **14-04**

(52) **U.S. Cl.**  
USPC ..... **D14/488**

(58) **Field of Classification Search**  
USPC ..... D14/485–495  
CPC ..... G06F 3/048; G06F 3/04842; G06F 3/04847; G06F 3/0481; G06F 17/211; G06F 17/212

See application file for complete search history.

FIG. 1 is a front view of a first image in a sequence for a display screen or portion thereof with animated graphical user interface, showing our new design; FIG. 2 shows the second image thereof; FIG. 3 shows the third image thereof; FIG. 4 shows the fourth image thereof; FIG. 5 shows the fifth image thereof; FIG. 6 shows a sixth image thereof; and, FIG. 7 shows a seventh image thereof.

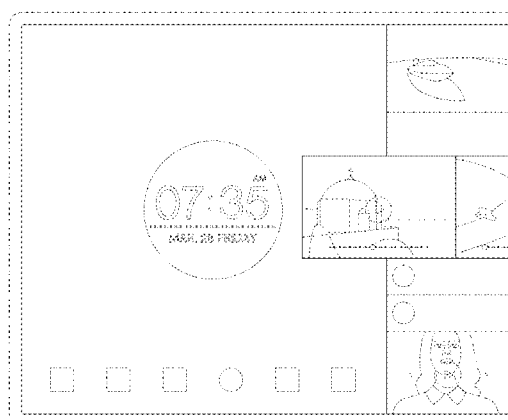
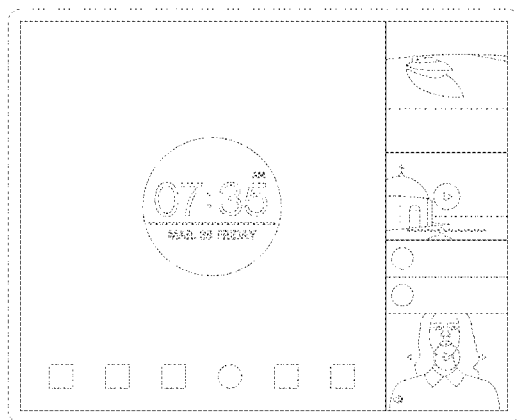
The appearance of the animated graphical user interface sequentially transitions between the images shown in FIGS. 1 to 7. The process or period in which one image transitions to another forms no part of the claimed design. The broken line perimeter showing the device hardware is provided for the purpose of illustrating environmental structure; whereas all other broken lines illustrate features of the animated graphical user interface. No subject matter depicted in broken lines form part of the claimed design.

(56) **References Cited**

U.S. PATENT DOCUMENTS

D658,676 S \* 5/2012 Gleasman ..... D14/488  
D675,633 S \* 2/2013 Goldstein ..... D14/485  
D677,692 S 3/2013 Fong et al.  
D685,810 S \* 7/2013 Way, Sr. .... D14/486  
D686,237 S \* 7/2013 Alucema ..... D14/486  
D695,755 S \* 12/2013 Hwang ..... D14/485

**1 Claim, 7 Drawing Sheets**



(56)

**References Cited**

U.S. PATENT DOCUMENTS

D718,333 S \* 11/2014 Lacour ..... D14/487  
 D720,770 S \* 1/2015 Lacour ..... D14/487  
 D720,771 S \* 1/2015 Lacour ..... D14/487  
 D721,722 S \* 1/2015 Lee ..... D14/486  
 D731,509 S \* 6/2015 Sueishi ..... D14/486  
 D731,510 S \* 6/2015 Kiruluta ..... D14/486  
 D733,735 S \* 7/2015 Masril ..... D14/486  
 D739,424 S \* 9/2015 Ku ..... D14/486  
 D740,842 S \* 10/2015 Liu ..... D14/486  
 D745,550 S \* 12/2015 Sanderson ..... D14/488  
 D746,305 S \* 12/2015 Gray ..... D14/485  
 D748,661 S \* 2/2016 Addaguduru ..... D14/486  
 D748,662 S \* 2/2016 Noack ..... D14/486  
 D748,663 S \* 2/2016 Noack ..... D14/486  
 D748,664 S \* 2/2016 Noack ..... D14/486  
 D749,091 S \* 2/2016 Lee ..... D14/485  
 D749,108 S \* 2/2016 Bauer ..... D14/486  
 D749,110 S \* 2/2016 Noack ..... D14/486  
 D749,119 S \* 2/2016 Gray ..... D14/487

D750,097 S \* 2/2016 Kim ..... D14/485  
 D750,099 S \* 2/2016 Seo ..... D14/485  
 D750,111 S \* 2/2016 Walkin ..... D14/486  
 D750,115 S \* 2/2016 Kettner ..... D14/486  
 D750,120 S \* 2/2016 Kovacevic ..... D14/486  
 D750,651 S \* 3/2016 Seo ..... D14/486  
 2006/0271867 A1 \* 11/2006 Wang ..... G06F 3/0482  
 715/764  
 2009/0002335 A1 \* 1/2009 Chaudhri ..... G06F 3/04815  
 345/173  
 2010/0095240 A1 \* 4/2010 Shiplacoff ..... G06F 3/0483  
 715/784  
 2010/0325568 A1 \* 12/2010 Pedersen ..... G06F 17/30994  
 715/765

OTHER PUBLICATIONS

<http://accstore.net/product/acer-iconia-tab-a500/>.  
[http://blog.naver.com/PostView.php?blogId=toshiba\\_blog  
 &logNo=110133754542&parentCategoryNo=&categoryNo=12  
 &viewDate=&isShowPopularPosts=false&from=postView](http://blog.naver.com/PostView.php?blogId=toshiba_blog&logNo=110133754542&parentCategoryNo=&categoryNo=12&viewDate=&isShowPopularPosts=false&from=postView).

\* cited by examiner

FIG. 1

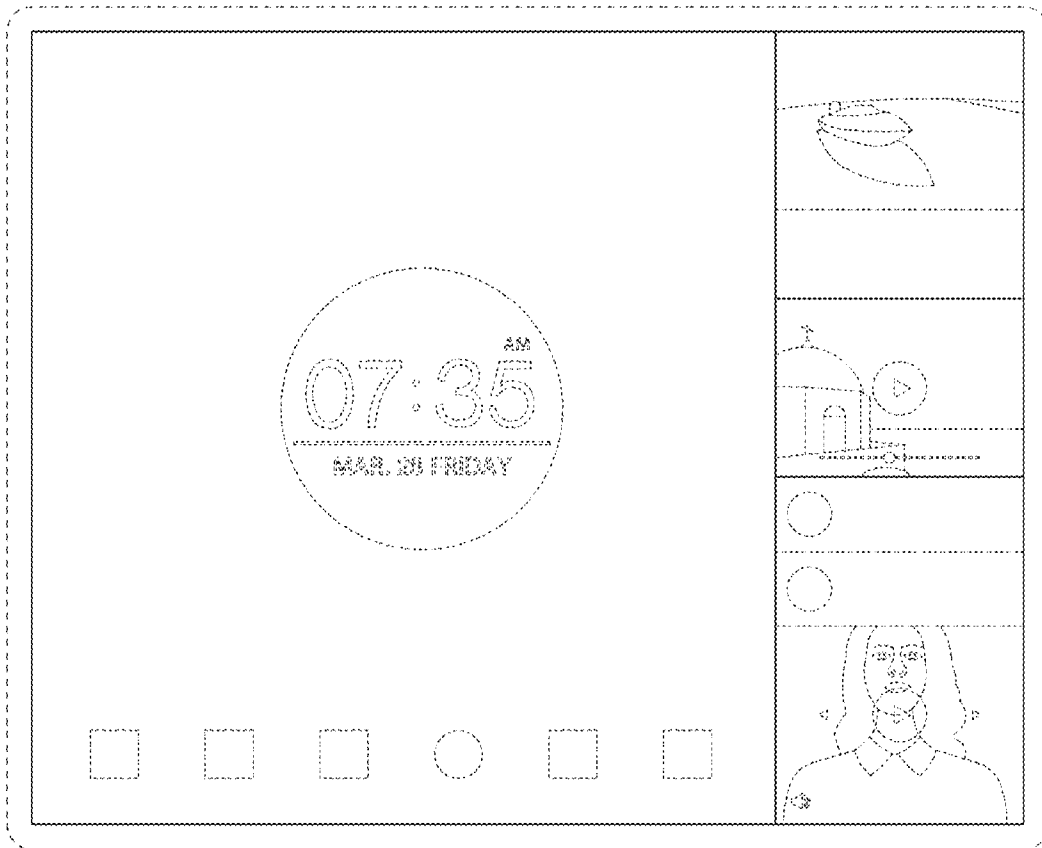


FIG. 2

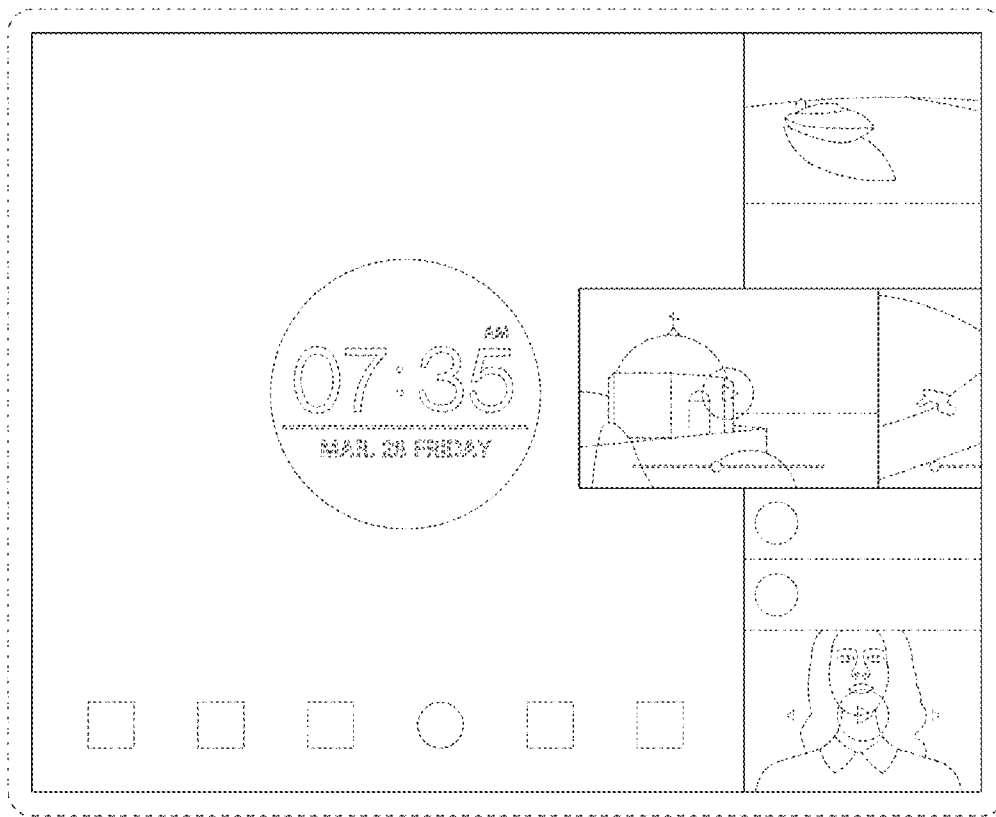


FIG. 3

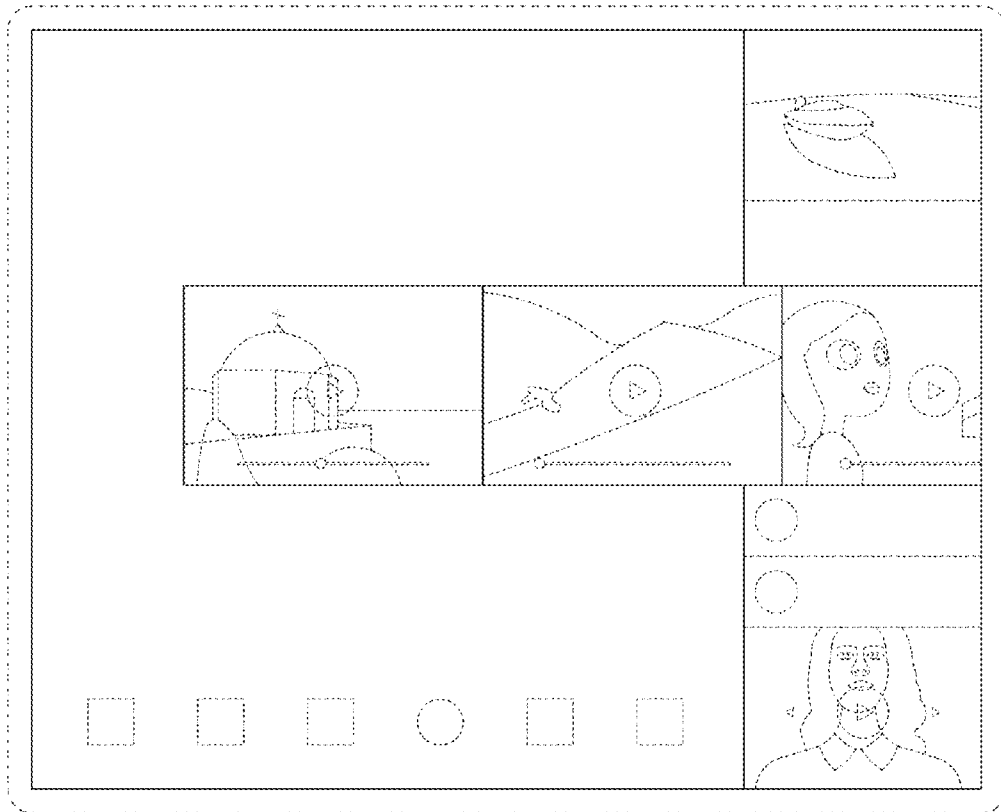


FIG. 4

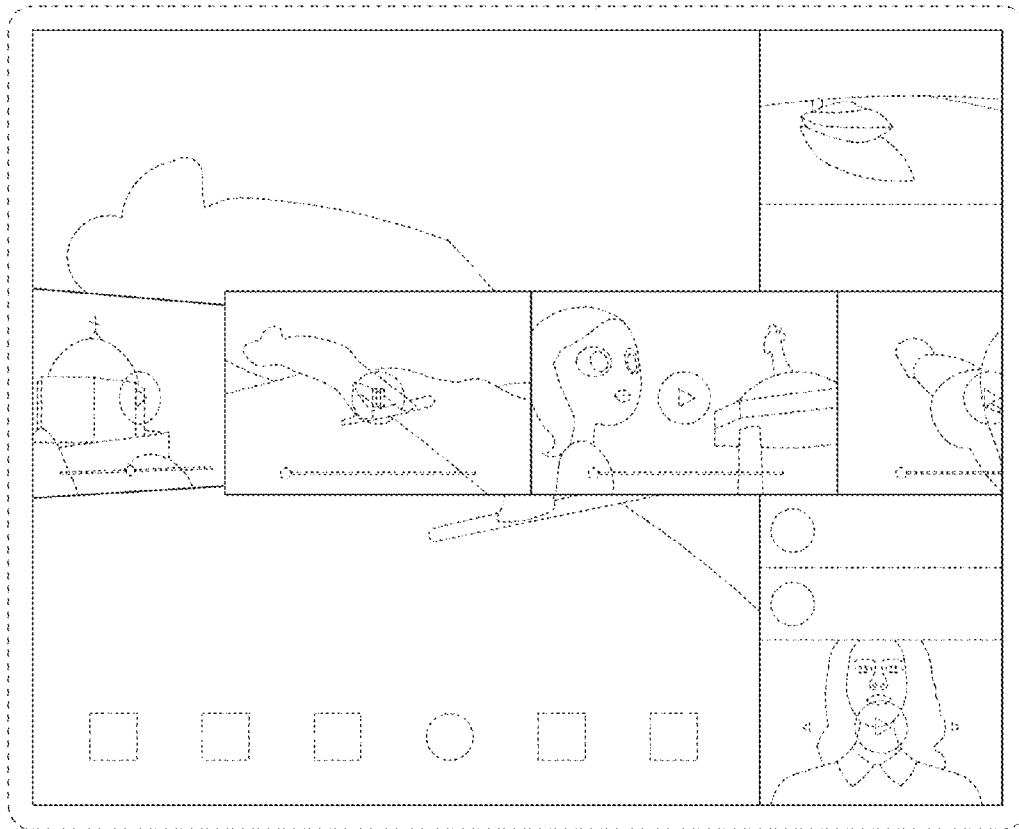


FIG. 5

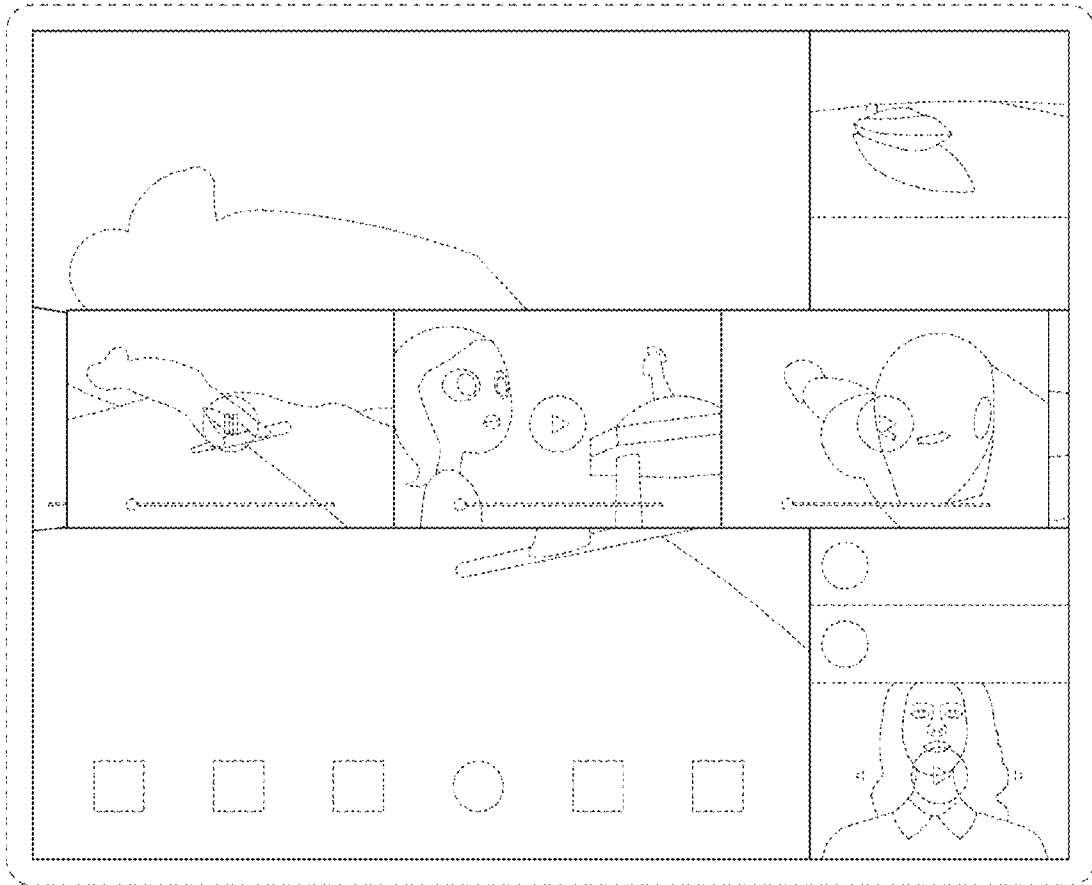


FIG. 6

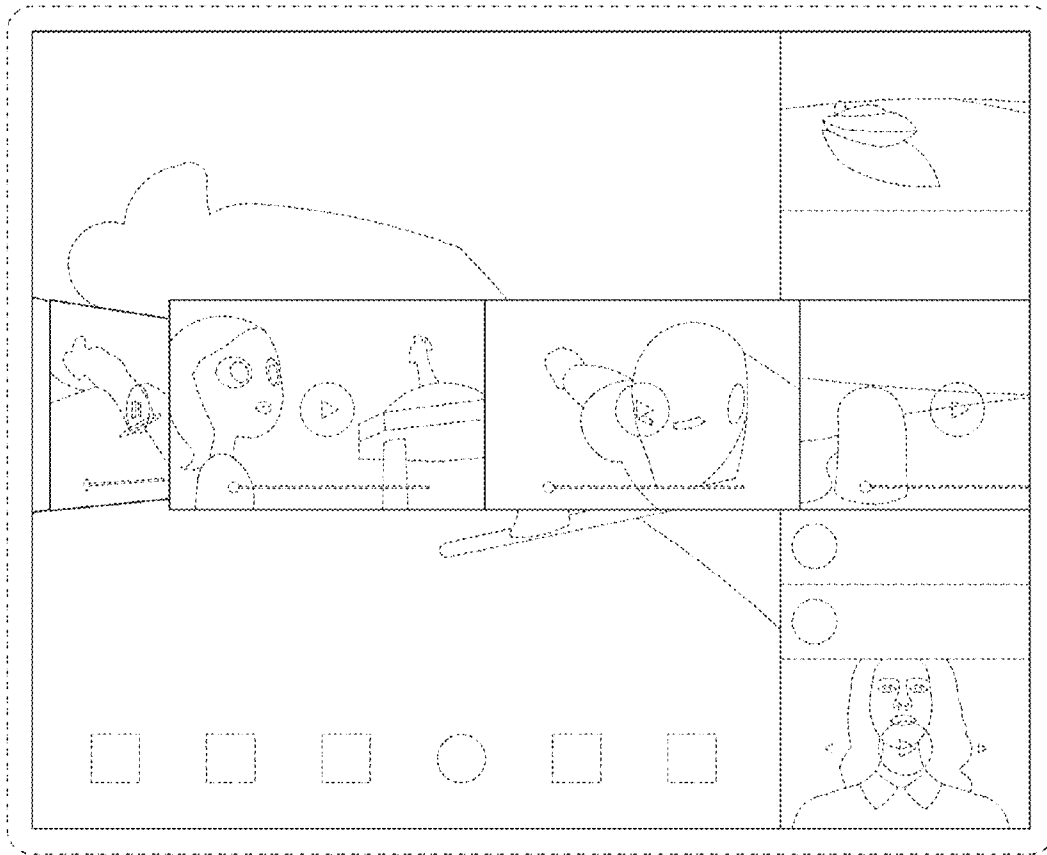


FIG. 7

