

(19) World Intellectual Property Organization
International Bureau



(43) International Publication Date
9 February 2006 (09.02.2006)

PCT

(10) International Publication Number
WO 2006/014686 A3

(51) International Patent Classification:

A61B 5/15 (2006.01) A61M 5/32 (2006.01)
A61B 17/06 (2006.01)

(21) International Application Number:

PCT/US2005/025664

(22) International Filing Date:

20 July 2005 (20.07.2005)

(25) Filing Language:

English

(26) Publication Language:

English

(30) Priority Data:

60/589,357 20 July 2004 (20.07.2004) US

(71) Applicant (for all designated States except US): BAYER

HEALTHCARE LLC [US/US]; 1884 Miles Avenue, P.O. Box 40, Elkhart, IN 46514-0040 (US).

(72) Inventors; and

(75) Inventors/Applicants (for US only): FLORA, Bruce, A.

[US/US]; 1860 S. Stone Maple Ln, Apt. 40A, Elkhart, IN 46514 (US). RUGGIERO, Joseph, E. [US/US]; 2212 Cambridge Drive, Goshen, IN 46528 (US).

(74) Agent: GATZ, John, C.; Jenkens & Gilchrist, a Professional Corporation, 225 W. Washington Street, Suite 2600, Chicago, IL 60606-3418 (US).

(81) Designated States (unless otherwise indicated, for every kind of national protection available): AE, AG, AL, AM,

AT, AU, AZ, BA, BB, BG, BR, BW, BY, BZ, CA, CH, CN, CO, CR, CU, CZ, DE, DK, DM, DZ, EC, EE, EG, ES, FI, GB, GD, GE, GH, GM, HR, HU, ID, IL, IN, IS, JP, KE, KG, KM, KP, KR, KZ, LC, LK, LR, LS, LT, LU, LV, MA, MD, MG, MK, MN, MW, MX, MZ, NA, NG, NI, NO, NZ, OM, PG, PH, PL, PT, RO, RU, SC, SD, SE, SG, SK, SL, SM, SY, TJ, TM, TN, TR, TT, TZ, UA, UG, US, UZ, VC, VN, YU, ZA, ZM, ZW.

(84) Designated States (unless otherwise indicated, for every kind of regional protection available): ARIPO (BW, GH, GM, KE, LS, MW, MZ, NA, SD, SL, SZ, TZ, UG, ZM, ZW), Eurasian (AM, AZ, BY, KG, KZ, MD, RU, TJ, TM), European (AT, BE, BG, CH, CY, CZ, DE, DK, EE, ES, FI, FR, GB, GR, HU, IE, IS, IT, LT, LU, LV, MC, NL, PL, PT, RO, SE, SI, SK, TR), OAPI (BF, BJ, CF, CG, CI, CM, GA, GN, GQ, GW, ML, MR, NE, SN, TD, TG).

Declaration under Rule 4.17:

— of inventorship (Rule 4.17(iv))

Published:

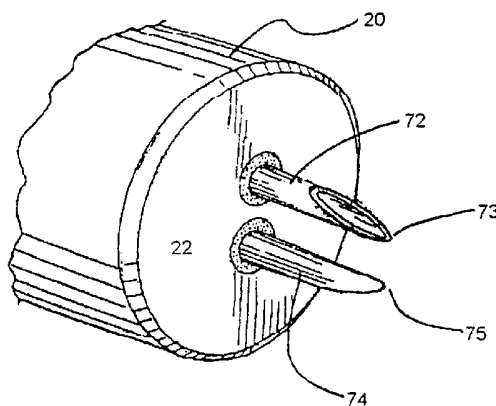
— with international search report
— before the expiration of the time limit for amending the claims and to be republished in the event of receipt of amendments

(88) Date of publication of the international search report:

27 April 2006

For two-letter codes and other abbreviations, refer to the "Guidance Notes on Codes and Abbreviations" appearing at the beginning of each regular issue of the PCT Gazette.

(54) Title: MULTIPLE TIP LANCET



(57) Abstract: A lancet comprises a body and a shaft. The body has an end face and a bore. The shaft is secured to the body and extends through the bore such that a distal section of the shaft extends outwardly from the end face of the body. The distal section has an axial slot that extends through the distal end of the shaft to form a first and a second protrusion. The first and second protrusions each have a spike on the end thereof.

WO 2006/014686 A3

INTERNATIONAL SEARCH REPORT

International application No
PCT/US2005/025664

A. CLASSIFICATION OF SUBJECT MATTER
A61B5/15 A61B17/06 A61M5/32

According to International Patent Classification (IPC) or to both national classification and IPC

B. FIELDS SEARCHED

Minimum documentation searched (classification system followed by classification symbols)
A61B A61M

Documentation searched other than minimum documentation to the extent that such documents are included in the fields searched

Electronic data base consulted during the international search (name of data base and, where practical, search terms used)

EPO-Internal

C. DOCUMENTS CONSIDERED TO BE RELEVANT

Category*	Citation of document, with indication, where appropriate, of the relevant passages	Relevant to claim No.
E	WO 2005/072610 A (ABBOTT LABORATORIES; DEHART, DAMON, H) 11 August 2005 (2005-08-11) abstract; figures 1-6 page 10, line 1 - page 12, line 17 -----	1,3-5,9
X	US 2003/086075 A1 (BRAIG JAMES R ET AL) 8 May 2003 (2003-05-08) paragraphs [0212], [0213]; figures 28,28A	1,3,4,9
Y	-----	2,5-8, 10-12
Y	US 5 569 286 A (PECKHAM ET AL) 29 October 1996 (1996-10-29) abstract; figures 5,7 column 1, line 66 - column 2, line 4 column 3, line 66 - column 4, line 40 ----- -/--	2,6,8, 10,12

Further documents are listed in the continuation of Box C.

See patent family annex.

* Special categories of cited documents :

- "A" document defining the general state of the art which is not considered to be of particular relevance
- "E" earlier document but published on or after the international filing date
- "L" document which may throw doubts on priority claim(s) or which is cited to establish the publication date of another citation or other special reason (as specified)
- "O" document referring to an oral disclosure, use, exhibition or other means
- "P" document published prior to the international filing date but later than the priority date claimed

- "T" later document published after the international filing date or priority date and not in conflict with the application but cited to understand the principle or theory underlying the invention
- "X" document of particular relevance; the claimed invention cannot be considered novel or cannot be considered to involve an inventive step when the document is taken alone
- "Y" document of particular relevance; the claimed invention cannot be considered to involve an inventive step when the document is combined with one or more other such documents, such combination being obvious to a person skilled in the art.
- "&" document member of the same patent family

Date of the actual completion of the international search

16 November 2005

Date of mailing of the international search report

14. 02. 2006

Name and mailing address of the ISA/

European Patent Office, P.B. 5818 Patentlaan 2
NL - 2280 HV Rijswijk
Tel. (+31-70) 340-2040, Tx. 31 651 epo nl,
Fax: (+31-70) 340-3016

Authorized officer

Jonsson, P.O.

INTERNATIONAL SEARCH REPORT

International application No

PCT/US2005/025664

C(Continuation). DOCUMENTS CONSIDERED TO BE RELEVANT

Category*	Citation of document, with indication, where appropriate, of the relevant passages	Relevant to claim No.
Y	EP 1 281 411 A (BECTON DICKINSON AND COMPANY) 5 February 2003 (2003-02-05) abstract paragraph [0018]	5,7,11
X	----- US 2004/106941 A1 (ROE STEVEN N ET AL) 3 June 2004 (2004-06-03) abstract; figure 3 paragraph [0042] -----	1,3,4

INTERNATIONAL SEARCH REPORT

Information on patent family members

International application No

PCT/US2005/025664

Patent document cited in search report		Publication date	Patent family member(s)	Publication date
WO 2005072610	A	11-08-2005	US 2005171567 A1	04-08-2005
US 2003086075	A1	08-05-2003	US 2003090649 A1	15-05-2003
			US 2003086073 A1	08-05-2003
			US 2003086074 A1	08-05-2003
US 5569286	A	29-10-1996	NONE	
EP 1281411	A	05-02-2003	DE 29724753 U1	11-12-2003
US 2004106941	A1	03-06-2004	AU 2003215219 A1	23-06-2004
			WO 2004049945 A1	17-06-2004

INTERNATIONAL SEARCH REPORT

International application No.
PCT/US2005/025664

Box II Observations where certain claims were found unsearchable (Continuation of item 2 of first sheet)

This International Search Report has not been established in respect of certain claims under Article 17(2)(a) for the following reasons:

1. Claims Nos.: 22
because they relate to subject matter not required to be searched by this Authority, namely:
Rule 39.1(iv) PCT - Method for treatment of the human or animal body by surgery
2. Claims Nos.:
because they relate to parts of the International Application that do not comply with the prescribed requirements to such an extent that no meaningful International Search can be carried out, specifically:
3. Claims Nos.:
because they are dependent claims and are not drafted in accordance with the second and third sentences of Rule 6.4(a).

Box III Observations where unity of invention is lacking (Continuation of item 3 of first sheet)

This International Searching Authority found multiple inventions in this international application, as follows:

see additional sheet

1. As all required additional search fees were timely paid by the applicant, this International Search Report covers all searchable claims.
2. As all searchable claims could be searched without effort justifying an additional fee, this Authority did not invite payment of any additional fee.
3. As only some of the required additional search fees were timely paid by the applicant, this International Search Report covers only those claims for which fees were paid, specifically claims Nos.:
4. No required additional search fees were timely paid by the applicant. Consequently, this International Search Report is restricted to the invention first mentioned in the claims; it is covered by claims Nos.:

see annex

Remark on Protest

- The additional search fees were accompanied by the applicant's protest.
- No protest accompanied the payment of additional search fees.

FURTHER INFORMATION CONTINUED FROM PCT/ISA/ 210

This International Searching Authority found multiple (groups of) inventions in this international application, as follows:

1. claims: 1-12

A lancet comprising a body, a shaft having an axial slot extending through a distal end to form a first and a second protrusion, each having a spike, and
A method of manufacturing the same.

2. claims: 13-21

A lancet comprising a body, a shaft having a first end substantially aligned with a second end in a spaced apart configuration, said first and a second ends each having a spike, and
A method of manufacturing the same.
