



US00D824068S

(12) **United States Design Patent**
Chang

(10) **Patent No.:** **US D824,068 S**

(45) **Date of Patent:** **** Jul. 24, 2018**

(54) **LED LAMP**

(71) Applicant: **Herman Chang**, Rancho Dominguez,
CA (US)

(72) Inventor: **Herman Chang**, Rancho Dominguez,
CA (US)

(**) Term: **15 Years**

(21) Appl. No.: **29/596,504**

(22) Filed: **Mar. 8, 2017**

(51) **LOC (11) Cl.** **26-03**

(52) **U.S. Cl.** **D26/65**
USPC

(58) **Field of Classification Search**
USPC D26/1, 24, 61, 63, 65, 85, 93, 106, 107
CPC F21V 21/14; F21V 15/01; F21V 14/02;
F21V 21/30; F21V 21/00; F21V 14/00;
F21S 8/00; F21S 8/003; F21S 8/043;
F21Y 2105/001

See application file for complete search history.

(56) **References Cited**

U.S. PATENT DOCUMENTS

D515,235 S * 2/2006 Opolka D26/107
D617,933 S * 6/2010 Ng D26/65
D650,937 S * 12/2011 Horsley D26/65

D663,062 S * 7/2012 Ng D26/65
D689,642 S * 9/2013 Huang D26/63
D753,329 S * 4/2016 Lee D26/65
D775,399 S * 12/2016 Fioravanti D26/107
D804,072 S * 11/2017 Xu D26/63

* cited by examiner

Primary Examiner — Brian N. Vinson

(74) *Attorney, Agent, or Firm* — Stefan J. Kirchanski;
Matthew J. Spark; Zuber Lawler & Del Duca LLP

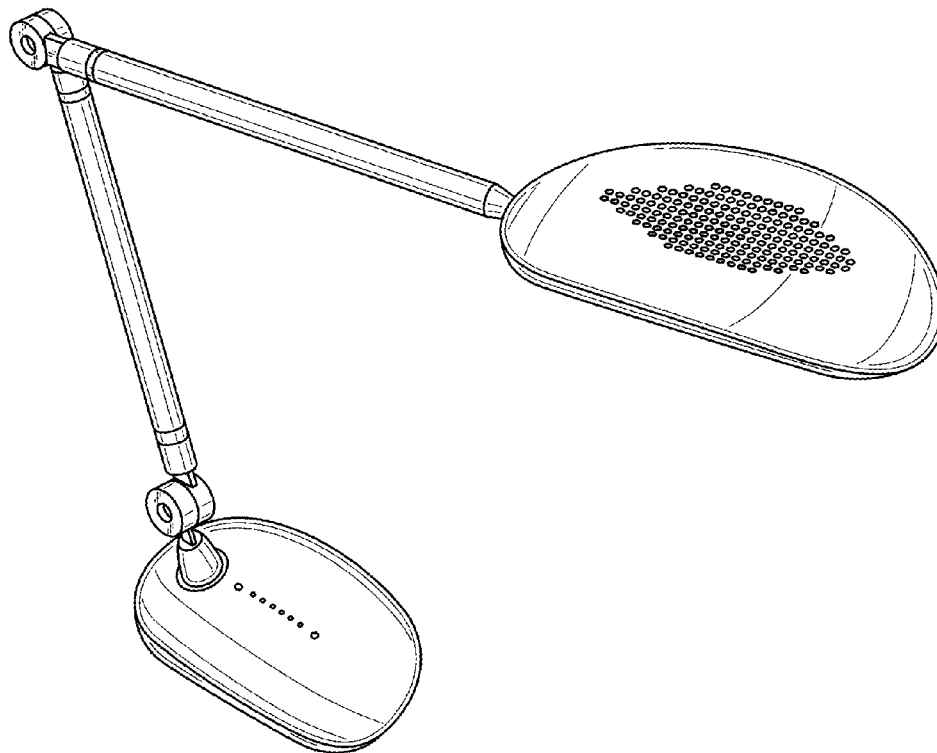
(57) **CLAIM**

The ornamental design for an LED lamp, as shown and described.

DESCRIPTION

FIG. 1 is a left perspective view of an LED lamp showing my design;
FIG. 2 is a front view of the LED lamp of FIG. 1;
FIG. 3 is a back view of the LED lamp of FIG. 1;
FIG. 4 is a left side view of the LED lamp of FIG. 1;
FIG. 5 is a right side view of the LED lamp of FIG. 1;
FIG. 6 is a top view of the LED lamp of FIG. 1;
FIG. 7 is a bottom view of the LED lamp of FIG. 1.
FIG. 8 is a front view of the LED lamp of FIG. 1 in an alternate configuration; and
FIG. 9 is a back view of the LED lamp in the alternate configuration of FIG. 8.

1 Claim, 9 Drawing Sheets



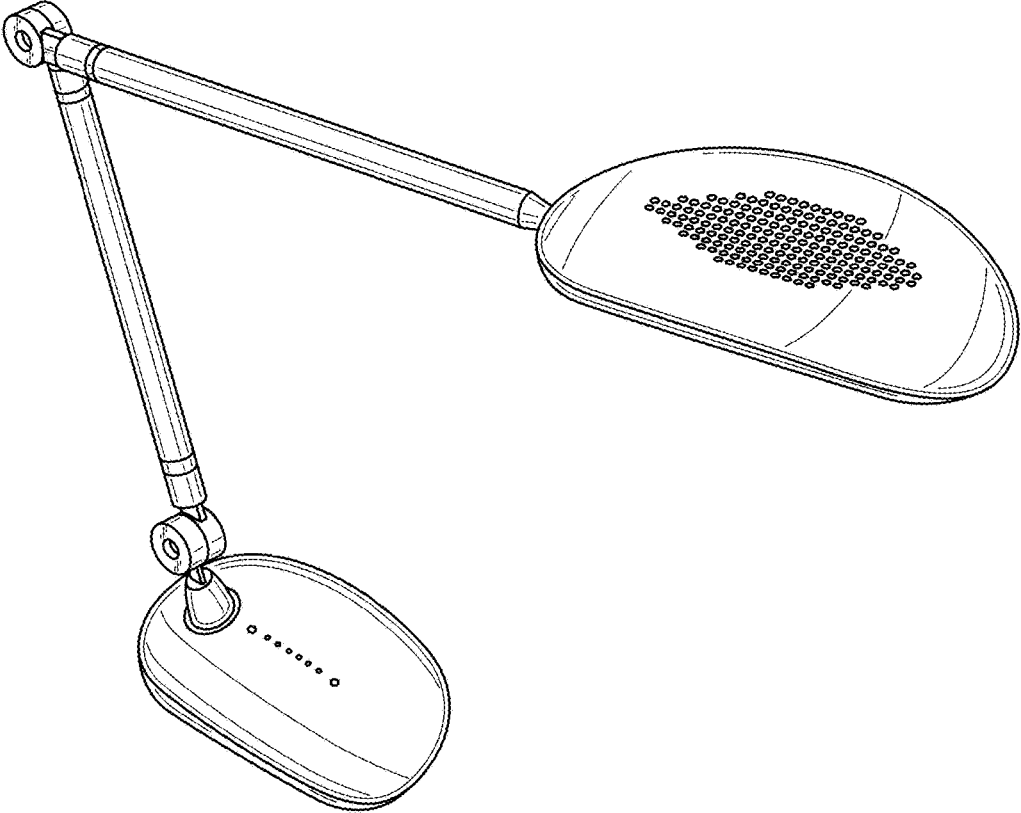


FIG. 1

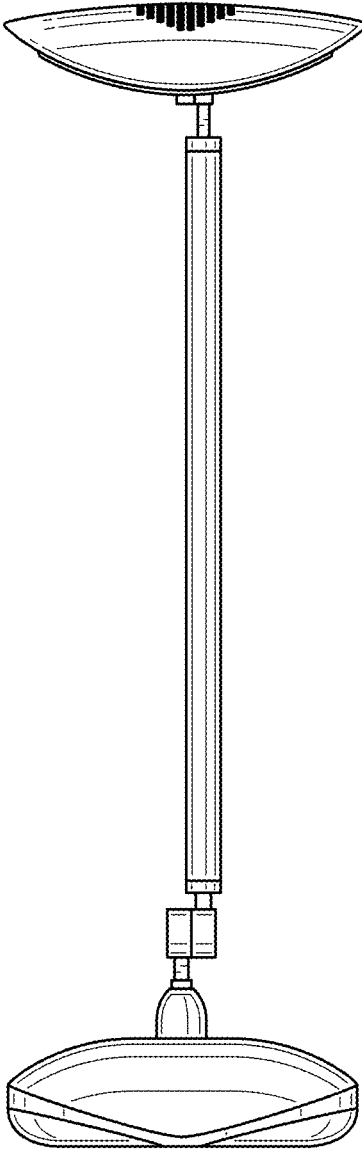


FIG. 2

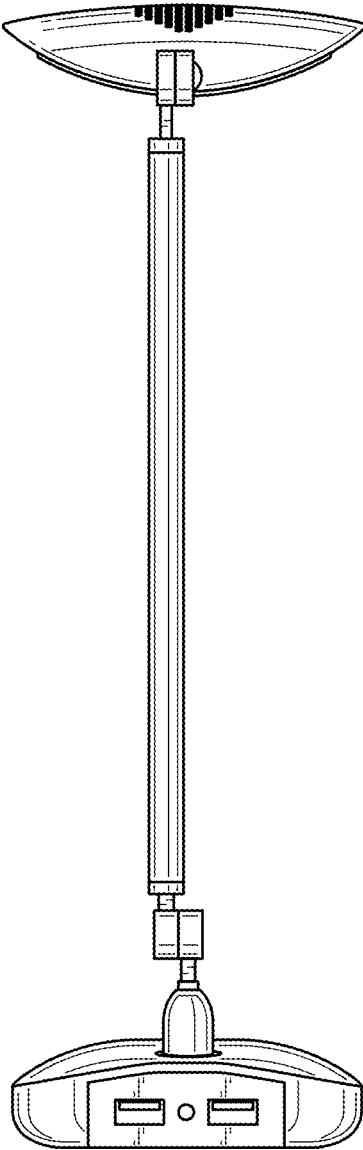


FIG. 3

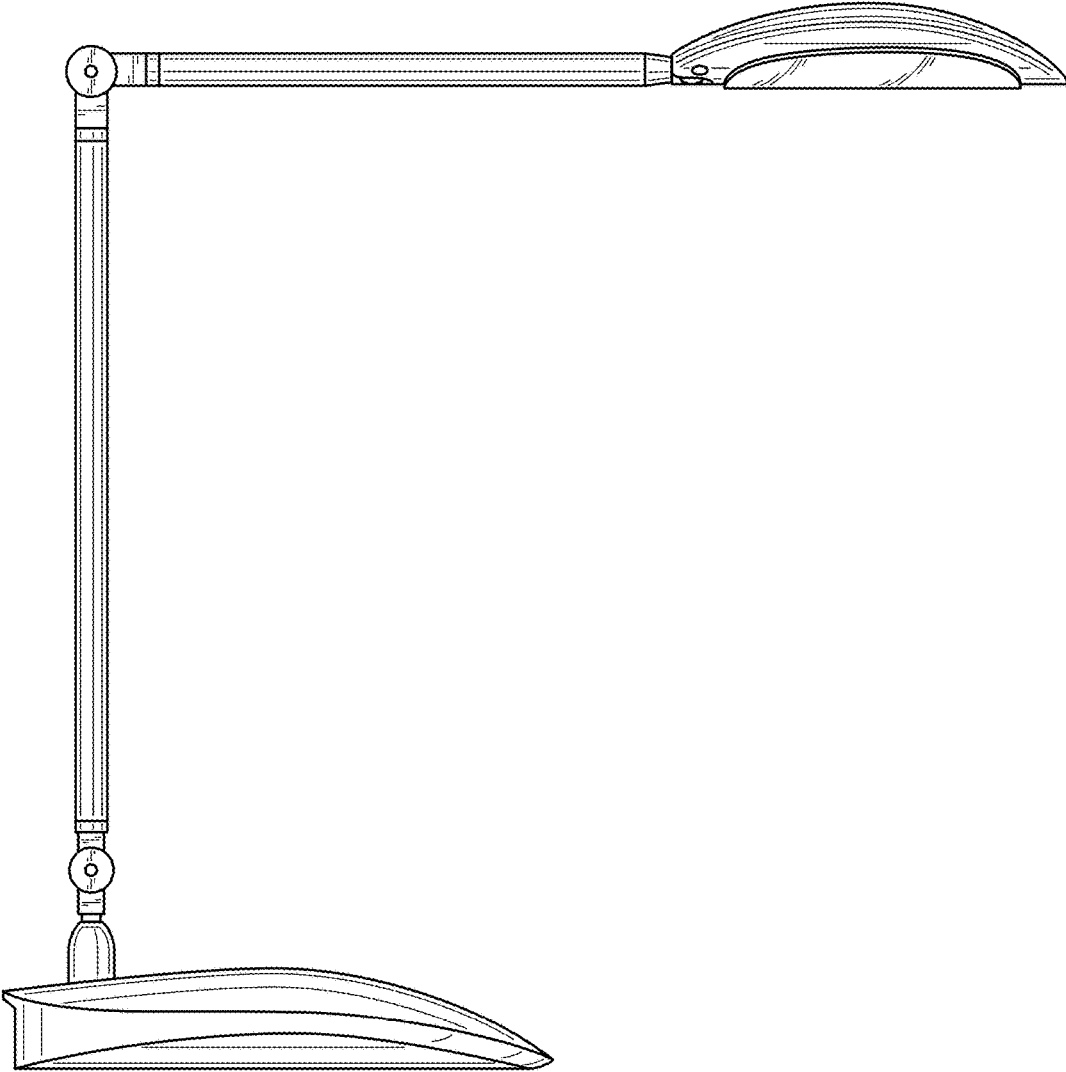


FIG. 4

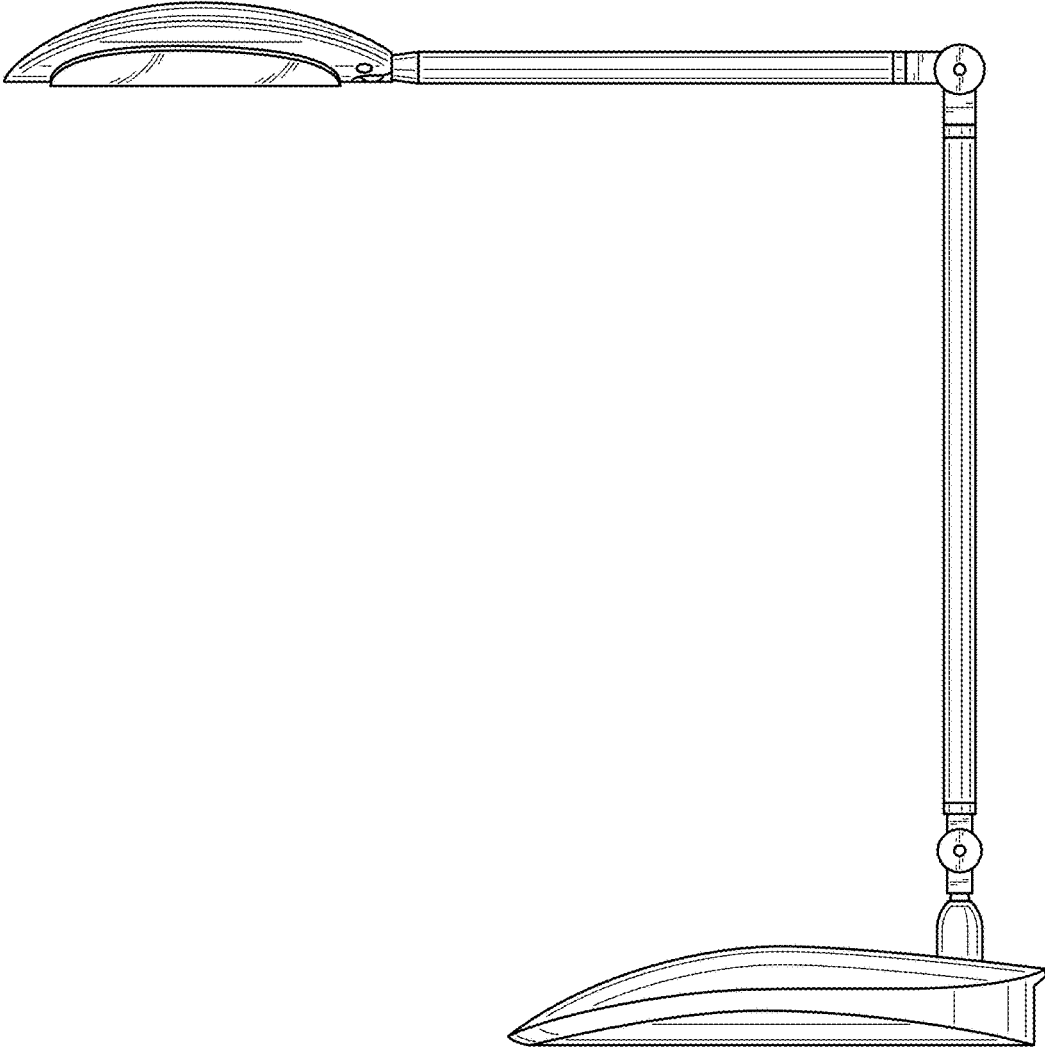


FIG. 5

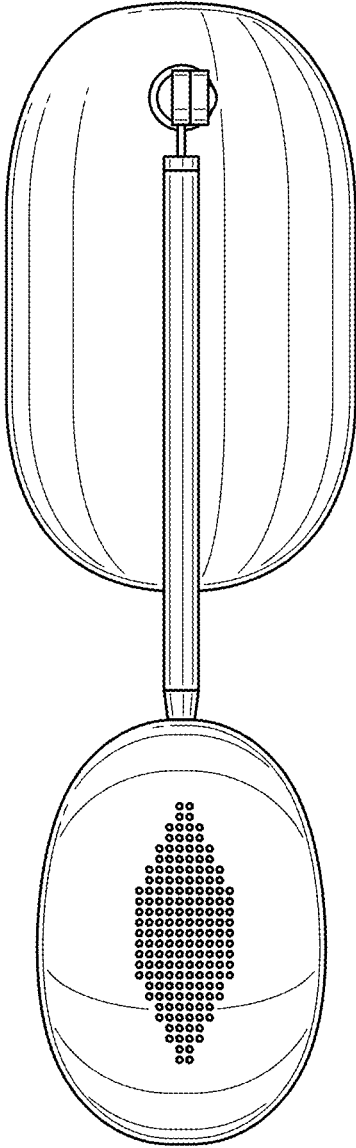


FIG. 6

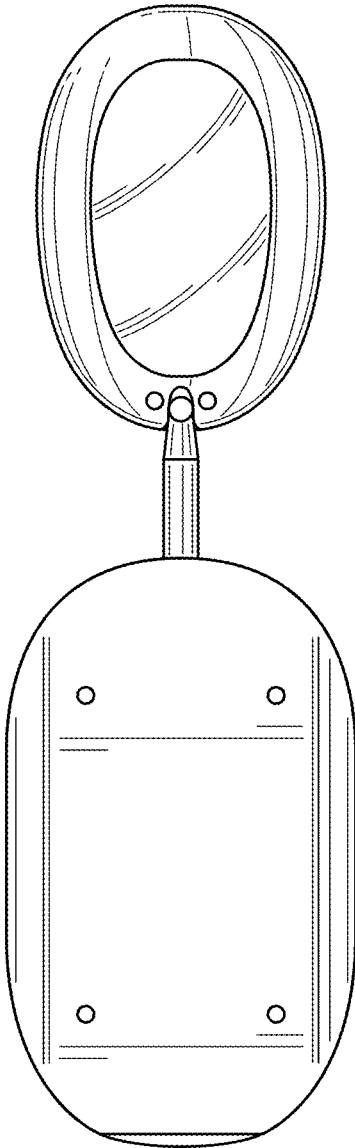


FIG. 7

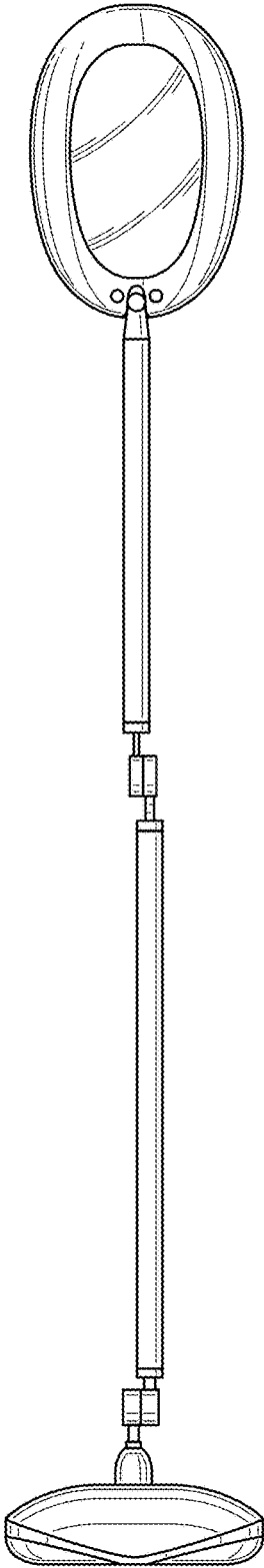


FIG. 8

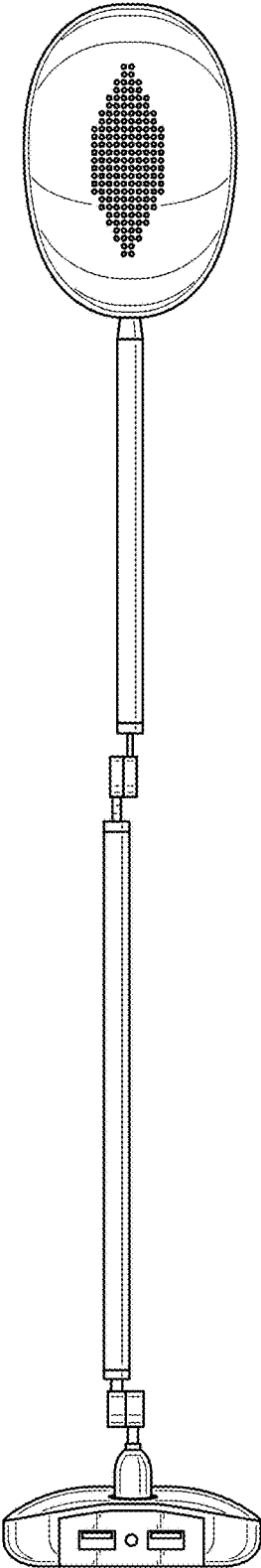


FIG. 9