



US00D724359S

(12) **United States Design Patent**  
**Murchison et al.**

(10) **Patent No.:** **US D724,359 S**

(45) **Date of Patent:** **\*\* Mar. 17, 2015**

(54) **ARTICLE DISPLAY**

(71) Applicant: **The Procter & Gamble Company,**  
Cincinnati, OH (US)

(72) Inventors: **Tracy Renae Murchison,** Springboro,  
OH (US); **Aleksandra Agnieszka**  
**Idzikowska,** Cincinnati, OH (US); **Peter**  
**Karl Patzak,** Darmstadt (DE); **Marek**  
**Mikovec,** Czech Republic (CZ)

(73) Assignee: **The Procter & Gamble Company,**  
Cincinnati, OH (US)

(\*\*) Term: **14 Years**

(21) Appl. No.: **29/503,104**

(22) Filed: **Sep. 23, 2014**

(51) **LOC (10) Cl.** ..... **06-06**

(52) **U.S. Cl.**  
USPC ..... **D6/682.1**

(58) **Field of Classification Search**  
USPC ..... D6/300-314, 466, 469, 495, 512,  
D6/672-673, 678, 682-682.1; D10/15, 40;  
D14/375; 40/700, 735, 765, 780, 760,  
40/152, 152.1, 154-157; D11/131, 164  
See application file for complete search history.

(56) **References Cited**

**U.S. PATENT DOCUMENTS**

D288,154	S	*	2/1987	Hobgood	.....	D6/466
D290,447	S	*	6/1987	Evans	.....	D11/131
4,807,377	A	*	2/1989	Stuckel	.....	40/711
D306,528	S	*	3/1990	Worley	.....	D6/309
D317,531	S	*	6/1991	Evans	.....	D6/309
D325,325	S	*	4/1992	Cadman	.....	D7/611
D328,210	S	*	7/1992	Callon	.....	D6/511
D334,667	S	*	4/1993	Lonczak et al.	.....	D6/308
D370,581	S	*	6/1996	Loznikov	.....	D6/495
D392,110	S	*	3/1998	Tsui	.....	D6/309
D396,783	S	*	8/1998	Lee	.....	D7/701
D454,702	S	*	3/2002	Doeing	.....	D6/310

D465,660	S	*	11/2002	Doeing	.....	D6/310
D488,626	S	*	4/2004	Kruger	.....	D6/309
D512,841	S	*	12/2005	Dirks	.....	D6/300
D530,525	S	*	10/2006	Greene, II	.....	D6/309
D533,806	S	*	12/2006	Kaneko et al.	.....	D11/131
D544,727	S	*	6/2007	Valdez et al.	.....	D6/466
D546,075	S	*	7/2007	Kreiss	.....	D6/309
D581,699	S	*	12/2008	Harrison	.....	D6/449
D584,898	S	*	1/2009	Chang	.....	D6/309
D588,823	S	*	3/2009	Butcher	.....	D6/309
D592,409	S	*	5/2009	Wu	.....	D6/309
D612,564	S	*	3/2010	Comley	.....	D34/35
D632,093	S	*	2/2011	Butcher	.....	D6/309
D637,414	S	*	5/2011	Butcher	.....	D6/309
D643,231	S	*	8/2011	Huang	.....	D6/449
D656,997	S	*	4/2012	Levin et al.	.....	D21/404
D667,004	S	*	9/2012	Goodrich	.....	D14/253
D677,261	S	*	3/2013	Hsu et al.	.....	D14/447
D690,140	S	*	9/2013	Baylar	.....	D6/675
D702,462	S	*	4/2014	Roithner	.....	D6/677

\* cited by examiner

*Primary Examiner* — Kelley Donnelly

(74) *Attorney, Agent, or Firm* — Linda M. Sivik

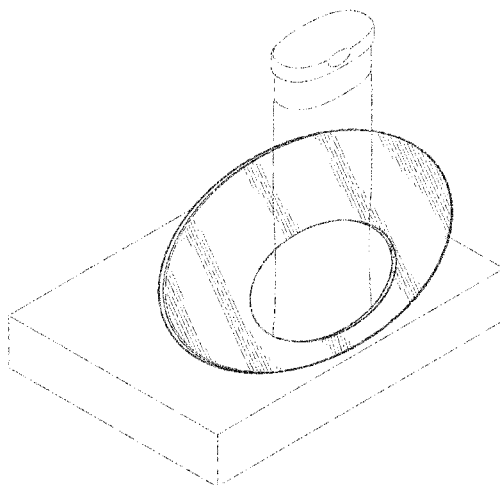
(57) **CLAIM**

The ornamental design for an article display, as shown and described.

**DESCRIPTION**

FIG. 1 is a perspective view of an article display, embodying an embodiment of our new design;  
FIG. 2 is a front elevational view of the article display of FIG. 1;  
FIG. 3 is a side elevational view of the article display of FIG. 1;  
FIG. 4 is a back elevational view of the article display of FIG. 1;  
FIG. 5 is a top view of the article display of FIG. 1; and,  
FIG. 6 is a bottom plan view of the article display of FIG. 1.  
The broken lines shown in the drawings are for illustrative purposes only and form no part of the claimed design.

**1 Claim, 3 Drawing Sheets**



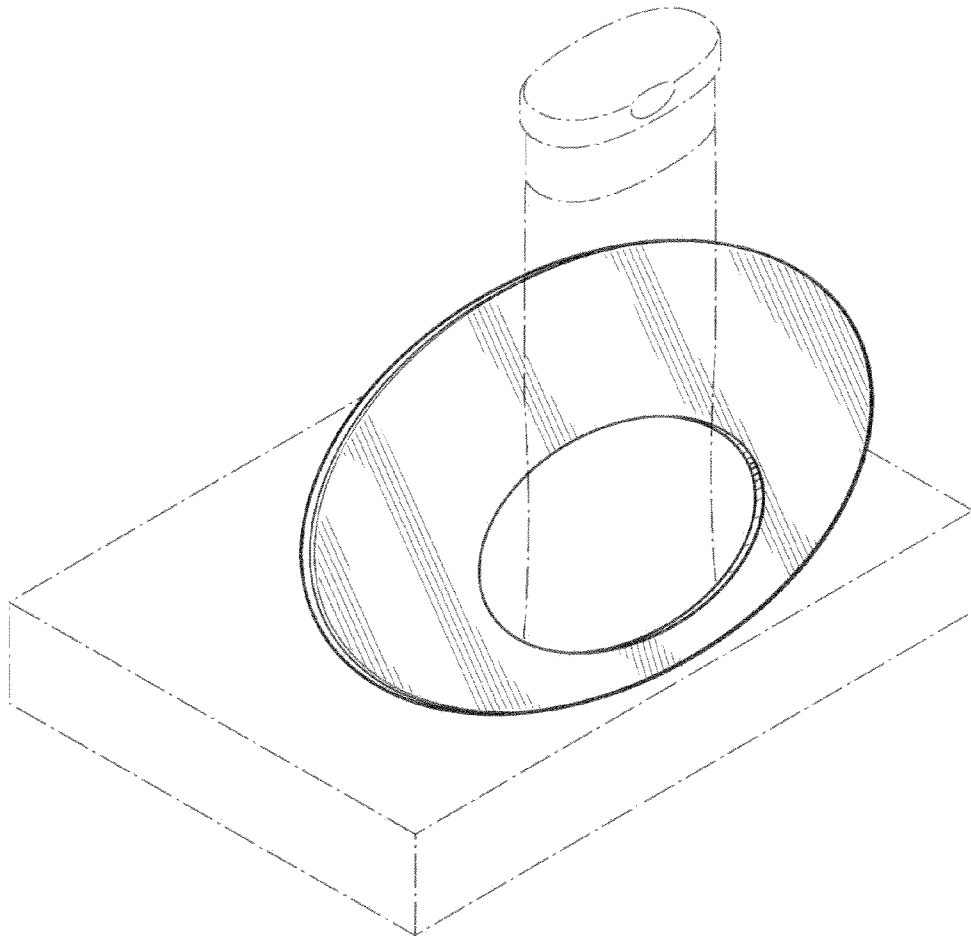


Fig. 1

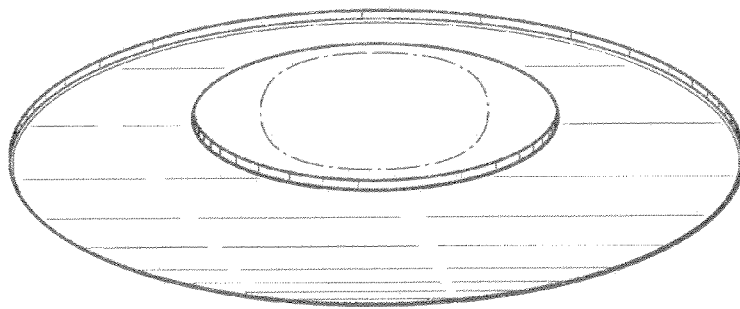


Fig. 6

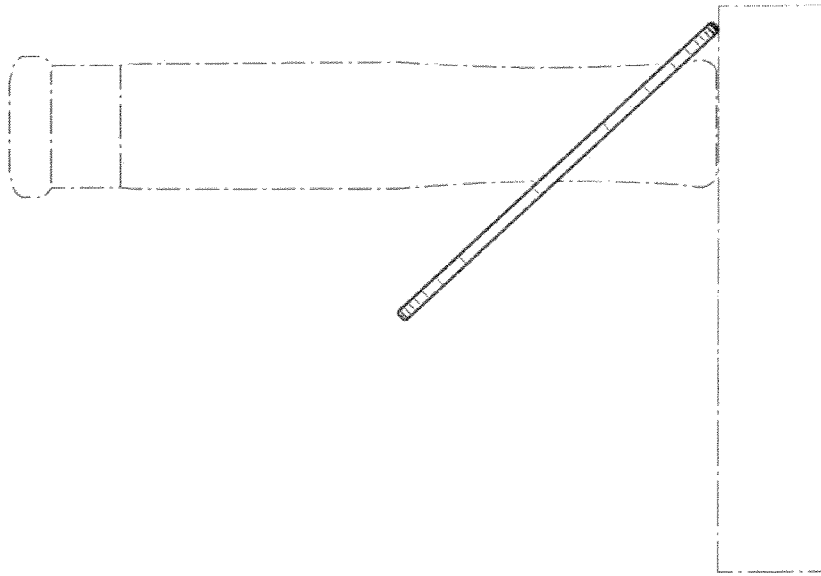


Fig. 3

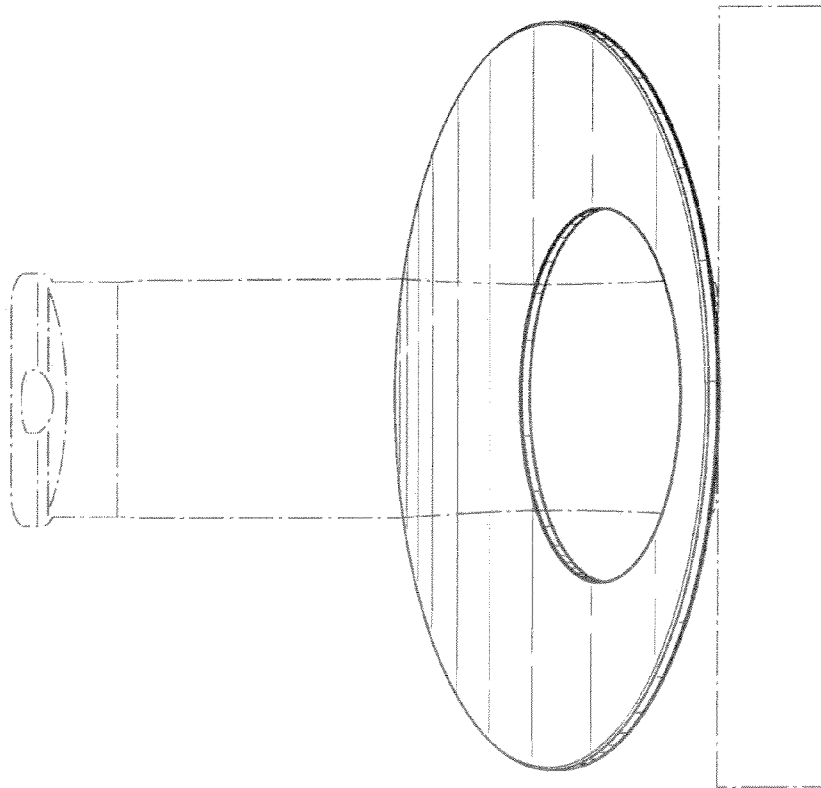


Fig. 2

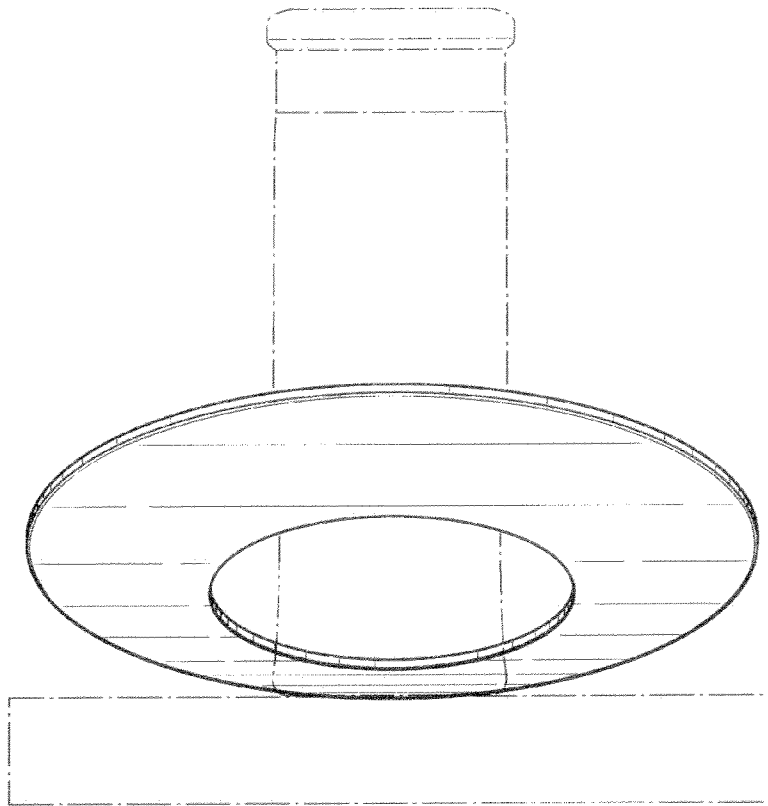


Fig. 4

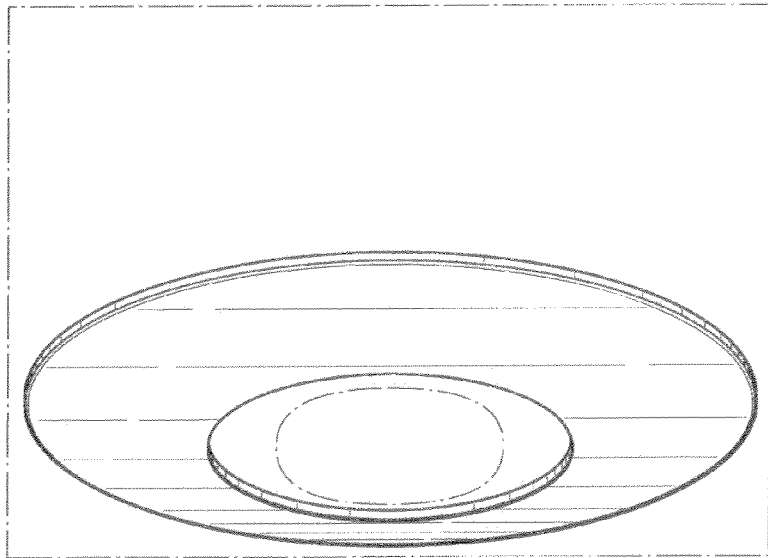


Fig. 5