

**(19) AUSTRALIAN PATENT OFFICE**

(54) Title  
Combination gravimetric and volumetric dispenser for multiple fluids

(51)<sup>6</sup> International Patent Classification(s)  
**B01F** 13/10 (2006.01) 20060101ALI2005100  
**B01F** 15/04 (2006.01) <sup>8BMEP</sup> **F16K**  
**F16K** 3/34 (2006.01) 3/34  
**B01F** 15/02 (2006.01) 20060101ALI2005100  
B01F 13/10 <sup>8BMEP</sup> **B01F**  
20060101AFI2005100 15/02  
<sup>8BMEP</sup> **B01F** 20060101ALN200510  
15/04 08BMEP  
PCT/US2004/033640

(21) Application No: 2004287383 (22) Application Date: 2004 .10 .12

(87) WIPO No: W005/044437

(30) Priority Data

(31) Number	(32) Date	(33) Country
10/697,411	2003 .10 .30	US

(43) Publication Date : 2005 .05 .19

(71) Applicant(s)  
Fluid Management, Inc.

(72) Inventor(s)  
Page, Steven R., Remmerlhart, Donald A., Kaufhold, Kenneth R.

(74) Agent/Attorney  
Shelston IP, Level 21 60 Margaret Street, Sydney, NSW, 2000

(56) Related Art  
US 2003/019885  
WO 03/084653  
US 5938080

(12) INTERNATIONAL APPLICATION PUBLISHED UNDER THE PATENT COOPERATION TREATY (PCT)

(19) World Intellectual Property  
Organization  
International Bureau



(43) International Publication Date  
19 May 2005 (19.05.2005)

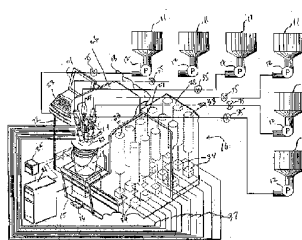
PCT

(10) International Publication Number  
WO 2005/044437 A1

- (51) International Patent Classification<sup>7</sup>: **B01F 13/10**, 15/04, F16K 3/34
- (21) International Application Number: PCT/US2004/033640
- (22) International Filing Date: 12 October 2004 (12.10.2004)
- (25) Filing Language: English
- (26) Publication Language: English
- (30) Priority Data: 10/697,411 30 October 2003 (30.10.2003) US
- (71) Applicant (for all designated States except US): **FLUID MANAGEMENT, INC.** [US/US]; 1023 Wheeling Road, Wheeling, IL 60090 (US).
- (72) Inventors; and
- (75) Inventors/Applicants (for US only): **KAUFHOLD, Kenneth, R.** [US/US]; 7909 N. Nora Avenue, Niles, IL 60714 (US). **PAGE, Steven, R.** [GB/US]; 54 N. Crescent Avenue, Palatine, IL 60067 (US). **REMMERLHART, Donald, A.** [US/US]; 430 Mcrimac Court, Roselle, IL 60172 (US).
- (74) Agent: **HULL, Michael, R.**; Marshall, Gerstein & Borun LLP, 6300 Sears Tower, 233 South Wacker Drive, Chicago, IL 60606 (US).
- (81) Designated States (unless otherwise indicated, for every kind of national protection available): AE, AG, AL, AM, AT, AU, AZ, BA, BB, BG, BR, BW, BY, BZ, CA, CH, CN, CO, CR, CU, CZ, DE, DK, DM, DZ, EC, EE, EG, ES, FI, GB, GD, GE, GH, GM, HR, HU, ID, IL, IN, IS, JP, KE, KG, KP, KR, KZ, LC, LK, LR, LS, LT, LU, LV, MA, MD, MG, MK, MN, MW, MX, MZ, NA, NI, NO, NZ, OM, PG, PH, PL, PT, RO, RU, SC, SD, SE, SG, SK, SL, SY, TJ, TM, TN, TR, TT, TZ, UA, UG, US, UZ, VC, VN, YU, ZA, ZM, ZW.
- (84) Designated States (unless otherwise indicated, for every kind of regional protection available): ARIPO (BW, GH, GM, KE, LS, MW, MZ, NA, SD, SL, SZ, TZ, UG, ZM, ZW), Eurasian (AM, AZ, BY, KG, KZ, MD, RU, TJ, TM), European (AT, BE, BG, CH, CY, CZ, DE, DK, EE, ES, FI, FR, GB, GR, HU, IE, IT, LU, MC, NL, PL, PT, RO, SE, SI, SK, TR), OAPI (BF, BJ, CF, CG, CI, CM, GA, GN, GQ, GW, ML, MR, NE, SN, TD, TG).
- Published:  
— with international search report

[Continued on next page]

(54) Title: COMBINATION GRAVIMETRIC AND VOLUMETRIC DISPENSER FOR MULTIPLE FLUIDS



WO 2005/044437 A1

(57) Abstract: A combination gravimetric and volumetric fluid dispenser is disclosed which includes a scale (15) linked to a controller (21). The controller is linked to a plurality of two stage valves (14) which control the dispensing of large quantities of base materials. The controller is also linked to a plurality of nutating pumps (34) which together with the controller controls the dispensing of smaller quantities of additive materials. The dispensing system disclosed is particularly useful for paints or other liquid formulations where larger quantities of base materials are added and which can be added by weight and whereby precise measurements of the larger base materials is not particularly required. However, the incorporation of nutating pumps and the addition of smaller amounts of additives by volume using the nutating pumps enables precise dispensing of the additives, such as colorants for paint. The larger containers or reservoirs of base material may be disposed at a remote location from the dispensing apparatus. The dispensing apparatus is also preferably designed with a modular configuration as shown and described. For viscous materials, an improved dispensing method is disclosed whereby viscous base material is added to the container first followed by smaller amounts of additives followed by additional dispensing of viscous base materials. By sandwiching the smaller amounts of additives between layers of base materials, an improved mix ability results for viscous materials such as base materials of paints and colorants.



---

*For two-letter codes and other abbreviations, refer to the "Guidance Notes on Codes and Abbreviations" appearing at the beginning of each regular issue of the PCT Gazette.*

## COMBINATION GRAVIMETRIC AND VOLUMETRIC DISPENSER FOR MULTIPLE FLUIDS

### BACKGROUND

5 Technical Field

An improved dispensing system and a process for dispensing various liquids of dispensing system a liquid formulation are shown and described. More specifically, an improved dispensing system is disclosed for combining multiple liquids and/or slurries of a liquid formulation whereby the multiple liquids include one or more base fluids which constitute a majority of the formulation and which can be dispensed by weight because the exact amount of such base ingredients is not important and further whereby the formulation includes smaller amounts of additives which must be dispensed precisely and, accordingly, are dispensed precisely by volume using the disclosed dispenser. The dispensing system includes a scale for measuring the amount of base materials added and a plurality of nutating pumps for accurately dispensing smaller amounts of additives. A controller is used to control the operation of valves through which the base materials are dispensed and for controlling the operation of the nutating pumps which dispense the smaller amounts of the various additives.

20 Background of the Related Art

Any discussion of the prior art throughout the specification should in no way be considered as an admission that such prior art is widely known or forms part of common general knowledge in the field.

25 A number of liquid products such as inks, dyes, cosmetic lotions and paints are fabricated from a plurality of different liquids and/or slurries which include base materials or solvents and special additives such as colorants or tints or functional additives that affect the property of the liquid or slurry product.

30 Throughout this specification, the term "liquid" is meant to encompass slurries, pastes and other materials capable of being pumped. Various dispensers are known for dispensing the various ingredients of a liquid product into a container. Some of these dispensers are more accurate than others and some of these dispensers operate more quickly than others. While the following discussion will be directed toward the formulation of paints, it will be noted that this application and the

dispensers and methods of dispensing disclosed herein are applicable to various fields beyond that of paints and this disclosure generally applies to liquid formulations which consist of relatively large quantities of base materials or solvents or water and relatively small quantities of additives such as tints or colorants or other functional ingredients that must be added with precision.

Turning to the field of paints, it will be noted that paints are made in a vast number of different colors and shades of colors. Each specific paint color has a specific formula of components to provide the desired color. A paint formula generally includes a relatively large amount of a base component and smaller amounts of one or more colorants. Each colorant is measured according to the formula and dispensed from a bulk colorant supply, added to the base, and then mixed to produce the desired paint color.

Typically, the base material is pre-formulated and, in the retail environment, colorants are added to the paint by an existing colorant dispenser. Thus, the base is formulated separately and dispensed separately from the colorants. For example, U.S. Patent No. 6,221,145 discloses a method of preparing base formulations for paints. The '145 patent teaches a method for preparing various base formulations at a retail store so paints can be sold with a specific use in mind, such as a flat base for walls, a high gloss base for wood and trim or other applications such as floors, concrete, etc.

To utilize the technology disclosed in the '145 patent a separate dispensing apparatus must be used to prepare the base formulation and a separate apparatus must be used to dispense the colorants because of the vastly different quantities used for the base materials and the colorants. Specifically, the base materials may be added by weight or maybe estimated by the technician who has some skill or experience.

However, the colorants must be added very precisely as a one milliliter or less error in the amount of colorant can produce a noticeable error in the color of the paint product.

Existing colorant dispensers have been used in retail paint supply stores and hardware stores. For example, existing colorant dispensing equipment has included manual and automated machines. Automated colorant dispensing equipment can include several bulk colorant containers, in which each colorant container is connected to an inlet of a fluid pump. The outlet of the fluid pump is connected to a 3-way valve which has a dispense outlet connected to a dispense nozzle and a by-pass outlet connected to a recirculation fluid line. Either one motor may drive all pumps or several pumps may be driven by a single motor through a common drive mechanism

or each pump may be driven by an individual motor. When an amount of colorant is dispensed, the motor drives the pumps and the 3-way valve for the particular colorant is opened to allow the colorant to be dispensed through the nozzle. The time period that the valve remains open determines the amount of colorant dispensed. The other 3-  
5 way valves, which are all being simultaneously driven by the motor, are in a by-pass mode so that the colorant recirculates back into its container rather than being undesirably dispensed.

Other paint colorant dispensers utilize a nutating pump and a computer control system to control the pump. Nutating pumps have a piston which is positioned inside  
10 of a housing having a fluid inlet and a fluid outlet. The piston simultaneously slides axially and rotates inside of the housing. Existing nutating pumps have been operated by rotating the piston through a full 360° rotation and corresponding linear travel of the piston. Such piston operation results in a specific amount of fluid pumped by the nutating pump with each revolution. Accordingly, the amount of fluid pumped for any  
15 given nutating pump is limited to multiples of the specific volume. If a smaller volume of fluid is desired, then a smaller sized nutating pump is used or manual calibration adjustments are made to the pump.

For example, in paint colorants, a minimum dispense can be about 1/256th of a fluid ounce. U.S. Patent Nos. 6,540,486 and 6,398,513 disclose improvements to  
20 nutating pump technology which provide for more accurate dispensing of paint colorants and other fluids such as hair dyes and cosmetics applications. Both of these patents are commonly assigned with this application and are incorporated herein by reference.

While nutating pump technology has beneficial applications for the dispensing  
25 of relatively small quantities of liquids such as colorants and functional additives to a liquid formulation, nutating pumps lack the speed of other types of pumps and therefore are inefficient in terms of time when it comes to dispensing base materials and solvents. Thus, notwithstanding the developments disclosed in U.S. Patent No. 6,221,145, many paint retailers prefer to carry pre-packaged bases to which they only  
30 need to add colorants by way of one of the currently available colorant dispensing machines. The reason being is that paint retailers are unwilling or unable to devote the amount of space that would be required to house two separate dispensing machines, one for base materials and one for colorants.

Specifically, currently available colorant dispensers are quite large due to the necessity of the cabinet housing a plurality of colorant canisters, such as eight or more (twelve preferably) and a separate pump for each canister. The bulkiness of the colorant dispenser is exacerbated by the need to include a controller, such as a central processing unit, a keyboard and a monitor and cabinet space to house these items. Further, some dispensers must include a large number of different colorants (in excess of twenty) thereby increasing the size of the cabinet that holds the canisters.

Because each store or retail facility is designed differently, many retailers are faced with the difficult task for making room for such large automated paint colorant dispensers in areas of limited space. As a result, there is a need for a more flexible design for automated paint colorant dispensers which would enable the configuration of these dispensers to be easily altered, depending upon the facility in which they are to be installed. The use of a separate machine to carry out the processes of the '145 patent would also be very problematic and would not be well received by merchants with limited floor space.

Further, most automated paint colorant dispensers are designed to dispense paint colorants into a large, five gallon pail or container. As a result, the shelf that supports the container is disposed vertically below the dispense outlet a sufficient distance so as to permit a five gallon container to be disposed on top of the supporting shelf but below the dispense outlet or nozzle. However, paint retailers also mix and sell paints in smaller quantities such as single gallons, quarts and pints. When a retailer needs to custom mix a smaller quantity of paint using an automated dispenser designed to dispense colorants into larger five gallon containers, a smaller container is disposed so far below the dispense outlet that splashing of the colorant as it reaches the smaller container is common and problematic. Obviously, when the colorant splashes outside of the container, the accuracy of the resulting paint color is compromised. Further, splashing of paint colorant outside of the container receptacle also results in colorant being splattered onto the dispensing apparatus causing it to be unsightly and in need of frequent cleaning. Thus, there is a need for an improved paint colorant dispenser design which enables the dispenser to easily accommodate large and small containers to thereby eliminate the splashing problem.

Therefore, there is a need for an improved fluid dispensing apparatus which is capable of quickly and efficiently dispensing large quantities of materials such as base materials or solvents and which can quickly, and which can efficiently and accurately

small quantities of material such as tints, colorants or other additives. It would be very desirable to combine both of these very different functions in a single, compact machine that has a flexible design which enables the machine to be installed in a variety of different floor plans. Further, such an improved machine should preferably be able to accommodate containers of various sizes without the dripping problems associated with prior art machines.

It is an object of the present invention to overcome or ameliorate at least one of the disadvantages of the prior art, or to provide a useful alternative.

#### SUMMARY OF THE DISCLOSURE

To this end, one aspect of the present invention provides a combination gravimetric and volumetric fluid dispensing system comprising:

a scale, the scale linked to a controller,

the controller linked to a plurality of two-stage valves and a plurality of

nutating pumps,

a plurality of base reservoirs housing base materials, each base reservoir being connected to one of the two stage valves,

a plurality of additive reservoirs housing additives, each additive reservoir being connected to one of the nutating pumps,

a manifold for accommodating each two stage valve and a plurality of nozzles, each nozzle being connected to one of the nutating pumps,

wherein the base materials are dispensed sequentially and gravimetrically using signals from the scale to the controller and from the controller to the two stage valves and,

wherein the additives are dispensed volumetrically by controlling the nutating pumps with the controller.

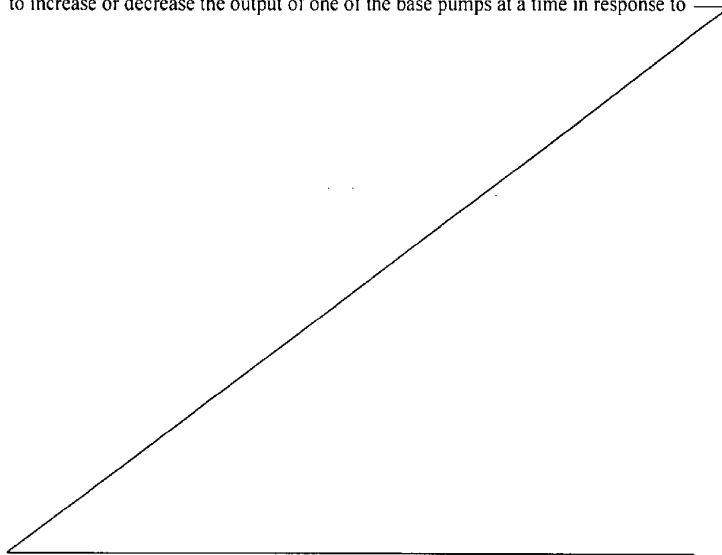
The dispensing system comprises a scale which is linked to a controller. The controller is linked to a plurality of two stage valves and a plurality of nutating pumps. The dispensing system also includes a plurality of base reservoirs that house base materials. Each base reservoir is connected to one of the two-stage valves and vice versa. The dispensing system also includes a plurality of additive reservoirs that house additives. Each additive reservoir is connected to one of the nutating pumps and vice versa. The dispensing system also includes a manifold for accommodating

each two stage valve and a plurality of nozzles. Each nozzle is then connected to one of the nutating pumps and vice versa. As a result, the base materials can be dispensed sequentially and gravimetrically using signals from the scale to the controller and from the controller to the two stage valves and wherein the additives are dispensed volumetrically by controlling the nutating pumps with signals from the controller.

In a refinement, the dispensing system also comprises a plurality of base pumps with each base reservoir being connected to one of the base pumps and vice versa for delivering each base material to its respective two stage valve under pressure.

In another refinement, the dispensing system also comprises a proportional control that is linked to the controller and each of the base pumps. The controller sends signals to the proportional control to control the output of each base pump, either directly at the base pump or by way of a control valve.

In a further refinement, the controller sends signals to the proportional control to increase or decrease the output of one of the base pumps at a time in response to



signals received at the controller from the scale indicating the amount of the particular base material that is passed through its respective two step valve.

In another refinement, each base reservoir houses a different base material. Similarly, in another refinement, each additive reservoir houses a different additive.

5 In another refinement, the two stage valves are connected concentrically to the manifold in an outlet of each of said two stage valves is directed downward and toward a central axis around which the two stage valves are mounted to the manifold. Using this refinement, the base materials are directed toward an axial center of the container to minimize splashing.

10 In a further refinement of this concept, the manifold comprises a central opening disposed along the central axis. The central opening receives an orifice block comprising a plurality of orifices with each orifice accommodating a nozzle. Each nozzle is connected to one of the nutating pumps and vice versa. Thus, the additive materials are dispensed either along the central axis or in a close parallel relationship  
15 thereto.

In another refinement, the scale of the dispensing system comprises a horizontal surface for supporting the container to be filled with base materials and additives. In this refinement, the horizontal surface comprises indicia or upwardly protruding indicators to facilitate the centering of containers of different sizes under  
20 the manifold.

In yet another refinement, each two step valve comprises a cylinder that includes a first end connected to an outlet port and a second end connected to an actuator with an inlet port disposed there between and which is connected to its  
25 respective base reservoir. The actuator is connected to a first end of a rod that has a second end that serves as a low flow plug. The rod slidably passes through a first spring disposed between the actuator and the low flow plug. The rod also slidably passes through a first sleeve disposed between the first spring and the low flow plug. A first end of the first sleeve engages the first spring and the second end of the first sleeve engages a second spring. The second end of the first sleeve also is connected  
30 to a second sleeve. The second sleeve connects the first sleeve to an annular high flow plug. The second spring is trapped between the first sleeve and a fixed annular retainer. The rod also slidably passes through the second spring and second sleeve and passes through the fixed annular retainer but is fixedly connected to the fixed annular retainer. The annular retainer comprises of first end directed towards the

second end of the first sleeve and a second end which supports the second spring. In a closed position, the first spring biases the low flow plug of the rod and the annular high flow plug into a ceiling engagement with the outlet port by way of biasing pressure from the first spring against the first sleeve. To move from the closed  
5 position to a low flow position, the actuator pulls the rod away from the outlet port thereby causing the first end of the annular retainer to move towards the first sleeve and moving the low flow plug portion of the rod out of ceiling engagement with the annular high flow plug. To move from the low flow position to a high flow position, the actuator continues to move the rod away from the outlet port so that the first end  
10 of the annular retainer engages the second end of the first sleeve thereby causing the first sleeve to pull the second sleeve and the high flow annular plug away from the outlet port by overcoming the bias of the first spring.

In a refinement of the above concept, the two step valve is closed from the high flow position to the closed position by moving back to the low flow position  
15 before the closed position.

In another refinement, the base reservoirs of the dispensing system are located remotely from the manifold by a distance of greater than 15 feet and the nutating pumps are disposed in close proximity to the manifold, within about 10 feet.

In another refinement, the dispensing system comprises at least five base  
20 reservoirs, each housing at least five different base materials and at least five, two stage valves. In a further refinement, the dispensing system further comprises at least ten additive reservoirs and at least two nutating pumps.

In another refinement, the base materials are base materials for paint and the additives are colorants for paint and the dispensing system is a paint dispenser.

An improved method for dispensing a paint formula comprising a plurality of  
25 base materials and a plurality of colorants into a container is disclosed which utilizes a single dispensing apparatus. The method comprises placing a container on a scale; dispensing one or more base materials into the container by weight; dispensing the colorants into the container by volume; dispensing any remaining base materials into  
30 the container by weight.

In a refinement, such a dispensing method can be carried out using the dispensing systems disclosed above. In a further refinement, one or more additional ingredients may be added by hand.

Similarly, an improved method for dispensing a liquid formula is disclosed wherein the liquid formula comprises a plurality of liquid base materials and a plurality of liquid additives. Again, a single dispensing apparatus is utilized and the method comprises: placing a container on a scale; dispensing one or more base materials into the container by weight; dispensing the additive materials into the container by volume; and dispensing any remaining base materials into the container by weight.

The dispensing systems and methods disclosed herein are applicable beyond the paint industry, such as cosmetics, beverages, dyes, inks, liquid nutritional products, medicinal products and other liquid formulations that include relatively large quantities of base materials and relatively small quantities of colorants or other additives.

Unless the context clearly requires otherwise, throughout the description and the claims, the words "comprise", "comprising", and the like are to be construed in an inclusive sense as opposed to an exclusive or exhaustive sense; that is to say, in the sense of "including, but not limited to".

#### BRIEF DESCRIPTION OF THE DRAWINGS

The disclosed dispensing systems and dispensing methods are described more or less diagrammatically in the accompanying drawings wherein:

Fig. 1 is a perspective view of a dispensing system made in accordance with this disclosure;

Fig. 2 is a schematic illustration of the dispensing system disclosed in Fig. 1 further illustrating the relationships between the controller, the proportional control and the base reservoirs and pumps connected thereto along with the placement of the additive containers and pneumatic pumps in the disclosed modular cabinetry;

Fig. 3 is a partial front plan view of the dispensing system shown in Fig. 1;

Fig. 4 is a top plan view of the horizontal surface of the scale of the dispensing system shown in Figs. 1-3;

Fig. 5 is a perspective view of the scale as shown in Fig. 4 with a one gallon container disposed thereon;

Fig. 6 is another perspective view of the scale shown in Figs. 4 and 5 but illustrating the placement of a smaller one quart container disposed thereon;

Fig. 7 is a partial exploded view of the manifold, additive nozzles, orifice block and two step valves of the dispensing system shown in Figs. 1-3;

Fig. 8 is a sectional view of the two step valves shown in Fig. 7;

Fig. 9 is a bottom perspective view of the manifold block shown in Fig. 7;

5 Fig. 10 is a sectional view of the manifold block, orifice block and a pair of two step valves as shown in Fig. 7 indicating the dispense direction of base materials and additives;

Fig. 11 is a bottom perspective view of the orifice block shown in Fig. 7;

Fig. 12 is a top perspective view of the orifice block shown in Fig. 7 and 11;

10 and

Fig. 13 is a bottom plan view of the orifice block shown in Figs. 7 and 11-12.

It should be understood that the drawings are not necessarily to scale and that the embodiments are sometimes illustrated by graphic symbols (e.g., the pneumatic pumps), phantom lines, diagrammatic representations and fragmentary views. In  
15 certain instances, details which are not necessary for an understanding of this disclosure or which render other details difficult to perceive may have been omitted. It should be understood, of course, that this disclosure is not limited to the particular embodiments and methods illustrated herein.

20

#### **DETAILED DESCRIPTION OF THE PRESENTLY PREFERRED EMBODIMENTS**

Fig. 1 illustrates, in part, a dispensing system 10 made in accordance with this disclosure. Fig. 1 is only a partial illustration because, as illustrated in Fig. 2, the dispensing system 10 also includes a plurality of base reservoirs 11, pumps 12 which  
25 are connected to the individual base reservoirs shown at 11 and conduits shown at 13 linking the base reservoirs 11 to the two step valves shown at 14, all shown in Fig. 2.

Returning to the dispensing system 10 shown in Fig. 1, the system 10 includes a scale 15 which may be adjusted vertically by way of the foot pedal 16 so that the horizontal surface 17 may be raised or lowered to accommodate a larger or smaller  
30 container than the one shown at 18 in Fig. 1. As shown in Fig. 2, the scale 15 is linked to a controller 21 which is housed in the cabinet 22 disposed below the keyboard 23 and monitor 24 as shown in Fig. 1. Referring to Figs. 1 and 2 together, it will also be noted that a proportional control or a proportional control 25 is also linked to the controller 21 and disposed in the cabinet 22. It will be noted that the

cabinet 22 is not fixedly connected to the center cabinet 26 or the additive canister cabinets 27, 28. Thus, the arrangement shown in Fig. 1 but one arrangement for the dispenser 10 and the cabinets 27, 28 can be disposed on either side of the cabinets 26 and 22 or behind the cabinets 26 and 22. Further, the container support 29 is not  
5 connected to the scale 15 it may be eliminated or moved to either side of the scale 15.

The center cabinet 26 houses the two step valves 14, the manifold block 32 and the various conduits leading from the additive canisters disposed within the cabinets 27, 28 and the conduits connecting the two step valves 14 to the base reservoirs 11 shown in Fig. 2.

10 Turning to Fig. 2, the cabinets 27, 28 accommodate a plurality of additive canisters shown in phantom at 33 and their corresponding nutating pumps shown in phantom at 34.

In operation, when dispensing a liquid formula into the container 18 that comprises one or more base materials that constitute the majority of the liquid and the  
15 finished formulation and a plurality of additive materials that constitute a minority of the liquid of the finished formulation, a preferred method for operating the dispensing system 10 is as follows.

First, recognizing that the base reservoirs 11 may each contain a different base material and while six base reservoirs 11 are shown but leaving the possibility that  
20 only a single base material is used thereby requiring only a single base reservoir 11 and pump 12, the system 10 will begin first with the transport of base material from one of the reservoirs 11 through its respective conduit 13 and to its corresponding two step valve 14. The base material is delivered to the two step valve 14 under pressure by way of its corresponding pump 12. Thus, a dispensing system 10 begins by  
25 opening one of the two step valves 14 by way of a signal from the controller 21 thereby allowing base material to pass through the valve 14 and into the container 18.

To avoid splashing of base material in the container 18 and to provide a smooth initial flow of base material through its respective valve 14, the proportional control 25 may be utilized in one of two different ways. The proportional control 25  
30 may control the speed of the pump 12 being utilized to modulate the flow of base material from its base reservoir, through its respective conduit 13 to its respective valve 14 to thereby provide a relatively slow initial flow through the valve 14. Then, after the initial flow is established, the proportional control 25 may increase the speed of the pump 12 being utilized to increase the flow through the two step valve 14.

Another method would include the use of one or more control valves shown at 35 which could be linked to the proportional control 25 or directly linked to the controller 21 for that matter to modulate the initial flow of base material through its respective conduit 13. Either way, the proportional control 25 may be controlled by  
5 the controller 21.

As the first base material enters the container 18, the scale 15 registers the weight chain and transmits a stream of signals to the controller 21. As the amount of base material deposited in the container 18 approaches the desired amount for that base material, the proportional control 25 may then slow the flow of base material  
10 through the valve 14, again to eliminate any potential splashing problem. As the desired amount is reached, the controller 21 then sends a signal to close the valve 14 that is currently being utilized. The sequential operation of the two step valves 14 will be discussed below with respect to Fig. 8. The signal from the controller 21 to the valve 14 is actually a signal to activate the actuator 36 of the valve 14.

This process may be carried out for one or more of the base materials being delivered from the base reservoirs 11. In a preferred scheme, one or more base materials to be added to the container 18 from the base reservoirs 11 is "saved" until after the addition of the additives. By utilizing this scheme, the smaller volumes of the additives are added between layers of base material to facilitate later mixing of the  
15 formulation in the container 18.  
20

With at least part of the base materials from the reservoirs 11 added to the container 18, the controller 21 will then sequentially operate one or more of the pneumatic pumps 34 to bring the addition of the additive materials to the container  
25 18. Operation of the pneumatic pumps 34 need not be described in detail here as their operation is explained in detail in U.S. Patent No. 6,540,486 and 6,398,513, both of which are incorporated herein by reference. Operating sequentially or consecutively, the pneumatic pumps 34 draw additive fluid from their respective canister 33 and pump the fluid through its respective conduit line 37 to the manifold block 32 which will be described in detail below in connection with Figs. 7 and 10-13. After the  
30 addition of the additive materials from the canisters 33 by way of the rotating pumps 34 and conduits 37, additional base materials are added on top of the additive materials from one or more of the base reservoirs 11 in the manner described above. Again, base materials from the reservoirs 11 are added gravimetrically, that is by weight using a feedback control loop incorporated into the software used by the

controller 21 which operates the proportional control 25 and directly or indirectly operates the pumps 12 and/or the valves shown at 35. Nutating pumps 34 are preferred for the additive materials because they are accurate volumetric dispensing pumps that are capable of being accurate to within several hundredths of an ounce as disclosed in '486 and '513 patents.

Turning to Fig. 3, it will be noted that a large container 18 such as a five gallon pail can be easily accommodated by the dispensing system 10 as shown in Figs. 3-5, the horizontal support surface 17 of the scale 15 can include two or more indicia 41, 42 for assisting the user in centering the container 18 under the block manifold 32. Once set of indicia 41 could be for a five gallon container and another set of indicia 42 could be for a quart size container. Additional indicia could be utilized for smaller containers, such as pint size containers or containers larger than one gallon or five gallons and metric containers as well. Thus, this disclosure is not limited to the two indicia system shown for the horizontal surface 17 in Figs. 3-6.

Turning to Fig. 7, the manifold block 37 concentrically accommodates in this case six different two step valves 14. The valves 14 are controlled by actuators 36, the operation thereof being discussed in detail below with respect to Fig. 8. The valves 14 are also angled inward toward an axial center of the manifold block 32 so that the large volumes of base material pumped through these valves 14 is directed toward an axial center of the container 18 by way of the horizontal surface 17 of the scale 15 assisting the user in centering the container 18 beneath the manifold block 32. Along an axial center of the manifold block 32 is an additional orifice block 44 which accommodates a plurality of nozzles 45 each of which are connected to a nutating pump 34 (see Fig. 2). Referring back to the two step valves 14, it will be noted that each valve 14 includes an inlet port 46 that is connected to one of the lines 13 thereby connecting each valve 14 to its respective base reservoir 11 (see Fig. 2). The nozzles 45 comprise long stems which, in turn, are passed through and are supported by the support plate shown at 47 which is bolted above the orifice block 44 by these supporting posts 48.

Turning to Fig. 8, the two step valve and actuator 36 are shown in greater detail. The actuator 36 is connected to the first end 51 of a rod 52 that also has a second end 53 that serves as a low flow plug. The actuator 36 may be connected to the rod by way of a bracket 54 or other suitable attachment mechanism. A cap 55 may be used to secure the end 51 or the rod 52 to the actuator 36. The actuator 36 is

not shown in detail but is used to raise or lower the rod 52 as described below. The rod 51 passes through a first spring 56 before passing through a first sleeve 57. The spring 56 is sandwiched between the bushing 58 and the first end 59 of the first sleeve 57. The rod 52 slidably passes through the first spring 56 and the first sleeve 57. The second end 62 of the first sleeve 57 is connected to a second sleeve 63. The second sleeve 63 serves to connect the first sleeve 57 to the annular plug 64. The low flow plug 53 of the rod 52 and the high flow annular plug 64 serve to close the outlet 65 of the cylinder 66. The rod 52 also slidably passes through the second sleeve 63 as well as the second spring shown at 68. While the rod 52 further passes through the annular retainer 69, the rod 52 is fixedly connected to the annular retainer 69. While the first end 71 of the annular retainer faces the second end 62 of the first sleeve 57, the second end 72 of the annular retainer 69 is fixed to the rod 52. The annular retainer 69 serves as a support and partial housing for the second spring 68.

The valve 14 as shown in Fig. 8 is in a closed position. To open the valve, the actuator 36 draws the rod 52 upward against the bias of the first spring 56. The rod 52 slides through the first and second sleeves 57 and 63 thereby displacing the low flow plug 53 from the center aperture of the high flow annular plug 64. A relatively low flow is established through the aperture 73 (which serves as a seat for the low flow plug 53) as defined by the high flow annular plug 64 and the inlet port 46. To fully open the two step valve 14, the actuator 36 continues to draw the rod upward and, the first end 71 of the annular retainer 69 approaches and engages the second end 62 of the first sleeve 57. This action causes the first and second sleeves 57, 63 to be pushed upward against the bias of the first spring 56 thereby pulling the high flow annular plug 64 upward and off of the seat 75 of the outlet port 65 thereby enabling the valve 14 to achieve a fully open position and high flow between the inlet port 46 and the outlet port 65.

To close the valve 14, the reverse happens with the high flow annular plug engaging the seat 75 first before the low flow plug 53 of the rod 52 engages the seat or aperture 73 of the high flow annular plug 64. A two step valve like the one shown at 14 in Fig. 8 is preferred because when opening the valve 14, a low flow operation is achieved first upon displacement of the low flow plug 53 of the rod 52 before a high flow operation is achieved when the high flow annular plug is displaced from the seat 75. Similarly, when closing the valve 14, the valve 14 moves from a high flow operation where the high flow annular plug is displaced from the seat 75 to a low flow

operation where the annular plug 64 is seated against the seat 75 prior to seating of the low flow plug 53 against the seat 73.

Turning to Fig. 9, a bottom perspective view of the manifold block 32 is shown. Aperture 77 accommodate the two step valves 14 and the central aperture 78  
5 accommodate the orifice block shown in Figs. 11-13. The apertures 77 are angled thereby directing flow from the valves 14 towards an axial center 81 shown in Fig. 10 which passes through an axial center of the aperture 78. Thus, the base materials are injected into the container 18 towards the axial center 81 thereof as shown in Fig. 10.

The orifice block 44 as shown in Figs. 10-13 includes an orifice 82 for each of  
10 the nozzles 45 shown in Fig. 7. Referring to the bottom surface 83 of the orifice block 44 shown in Fig. 11 it will be noted that the surface is primarily flat and therefore easy to clean and is easily assessable beneath the front housing 84 shown in Fig. 1.

A key advantage to the dispensing system 10 shown and described here is that  
15 base materials and additive materials may be dispensed into a container using a single system. Further, as shown in Fig. 2, the larger reservoirs 11 of base material may be stored at a remote location from the dispensing apparatus 10. For example, base material may be stored in large hoppers 11 disposed outside of the retail environment or outside of a shop or factory floor thereby conserving valuable floor space. The  
20 modular design of the cabinetry 27, 28 for the additive canisters 33 enables the design of a system with as few as three or four additive canisters 33 to as many as twelve or more additive canisters 33 as shown in Fig. 2. Further, by providing a method of dispensing whereby at least a portion of the base materials are added to the container 18 first prior to the additive materials and then followed by addition of further base  
25 materials, improved mix ability results for viscous fluids, such as paints.

While only certain embodiments have been set forth and described, alternative embodiments and various modifications will be apparent from the above description to those skilled in the art. These and other alternatives are considered equivalents and within the spirit and scope of this disclosure.

What is Claimed is:

1. A combination gravimetric and volumetric fluid dispensing system comprising:
  - a scale, the scale linked to a controller,
  - the controller linked to a plurality of two-stage valves and a plurality of nutating pumps,
  - a plurality of base reservoirs housing base materials, each base reservoir being connected to one of the two stage valves,
  - a plurality of additive reservoirs housing additives, each additive reservoir being connected to one of the nutating pumps,
  - a manifold for accommodating each two stage valve and a plurality of nozzles, each nozzle being connected to one of the nutating pumps,
  - wherein the base materials are dispensed sequentially and gravimetrically using signals from the scale to the controller and from the controller to the two stage valves and,
  - wherein the additives are dispensed volumetrically by controlling the nutating pumps with the controller.
2. The dispensing system of claim 1 further comprising a plurality of base pumps, with each base reservoir being connected to one of the base pumps for delivering each base material to its respective two stage valve under pressure.
3. The dispensing system of claim 2 further comprising a proportional control linked to the controller and each of the base pumps, the controller sending signals to the proportional control for controlling the output from each base pump.
4. The dispensing system of claim 3 wherein the controller sends signals to the proportional control to increase or decrease the output of one of the base pumps in response to signals received at the controller from the scale indicating the amount of a particular base material that has passed through its respective two step valve.
5. The dispensing system of claim 1 wherein with each base reservoir houses a different base material.
6. The dispensing system of claim 1 wherein each additive reservoir housing a different additive.

7. The dispensing system of claim 1 wherein the two stage valves are connected concentrically to the manifold and an outlet of each of said two stage valves is directed downward and toward a central axis around which the two stage valves are mounted to the manifold.

8. The dispensing system of claim 7 wherein the manifold comprises a central opening disposed along the central axis, the central opening receiving an orifice block comprising a plurality of orifices, each orifice accommodating a nozzle, each nozzle being connected to one of the nutating pumps.

9. The dispensing system of claim 1 wherein the scale comprises a horizontal surface for supporting a container to be filled with base materials and additives, the horizontal surface comprising indicia for centering containers of different sizes under the manifold.

10. The dispensing system of claim 1 wherein each two stage valve comprises:

a cylinder comprising a first end connected to an outlet port and a second end connected to an actuator with an inlet port disposed therebetween and which is connected to its respective base reservoir,

the actuator being connected to a first end of a rod that has a second end that serves as a low flow plug,

the rod slidably passing through a first spring disposed between the actuator and the low flow plug,

the rod also slidably passing through a first sleeve disposed between the first spring and the low flow plug,

a first end of the first sleeve engaging the first spring and a second end of the first sleeve engaging a second spring, the second end of the first sleeve also being connected to a second sleeve,

the second sleeve connecting the first sleeve to an annular high flow plug,

the second spring being trapped between the first sleeve and a fixed annular retainer,

the rod also slidably passing through the second spring and second sleeve and passing through the fixed annular retainer but being fixedly connected thereto,

the annular retainer comprising a first end directed towards the second end of the first sleeve and a second end that supports the second spring,

wherein, in a closed position, the first spring biases the low flow plug of the rod and the annular high flow plug into a sealing engagement with the outlet port by way of biasing pressure of the first spring against the first sleeve,

to move from the closed position to a low flow position, the actuator pulls the rod away from the outlet port thereby causing the first end of the annular retainer to move towards the first sleeve and moving the low flow plug portion of the rod out of sealing engagement with the annular high flow plug,

to move the low flow position to a high flow position, the actuator continues to move the rod away from the outlet port so that the first end of the annular retainer engages the second end of the first sleeve thereby causing the first sleeve to pull the second sleeve and the high flow annular plug away from the outlet port by overcoming the bias of the first spring.

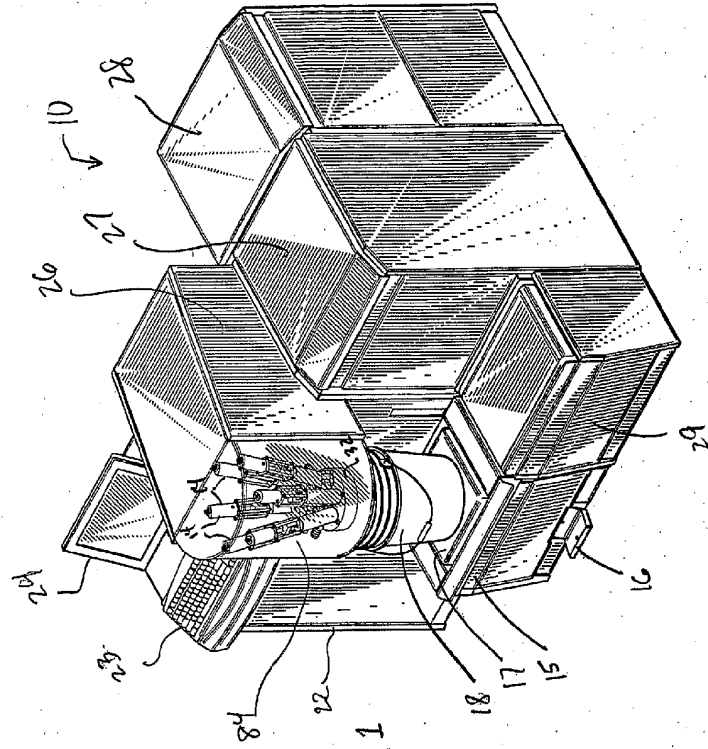
11. The dispensing system of claim 10 wherein from the high flow position the two step valve is closed by moving back to the low flow position before the closed position.

12. The dispensing system of claim 1 wherein the base reservoirs are located remotely from manifold by a distance of greater than 15 ft while the nutating pumps are disposed within 10 ft of the manifold.

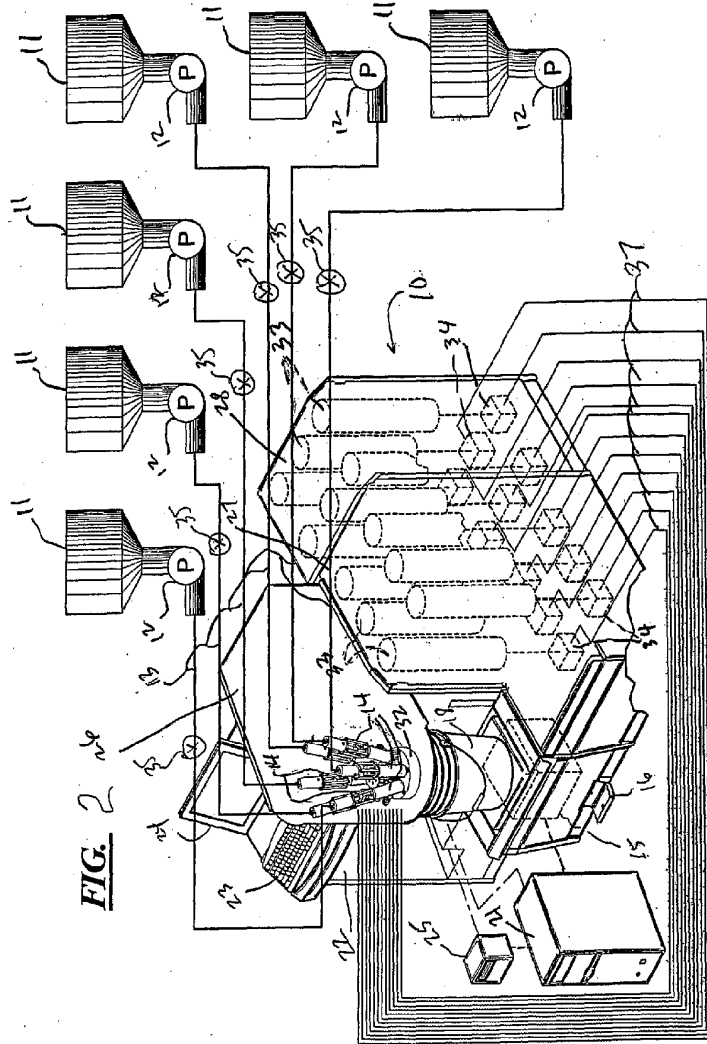
13. The dispensing system of claim 1 wherein the dispensing system comprises at least 5 base reservoirs and at least 5 two stage valves and at least 10 additive reservoirs and at least 10 nutating pumps.

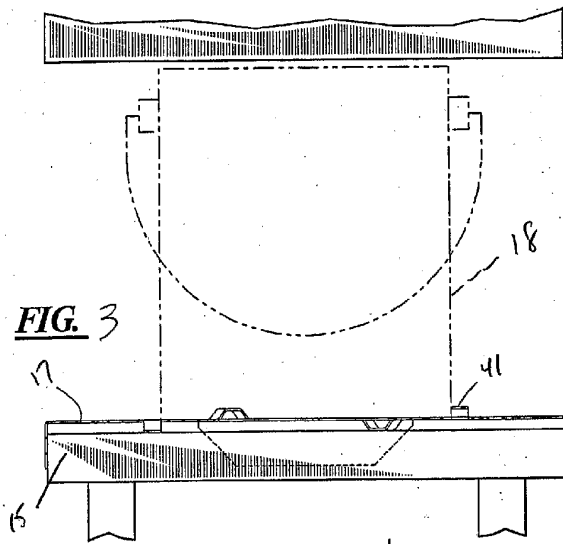
14. The dispensing system of claim 1 wherein the base materials are base materials for paint and the additives are colorants for paint and the dispensing system is a paint dispenser.

15. A combination gravimetric and volumetric fluid dispensing system substantially as herein described with reference to any one of the embodiments of the invention illustrated in the accompanying drawings and/or examples.

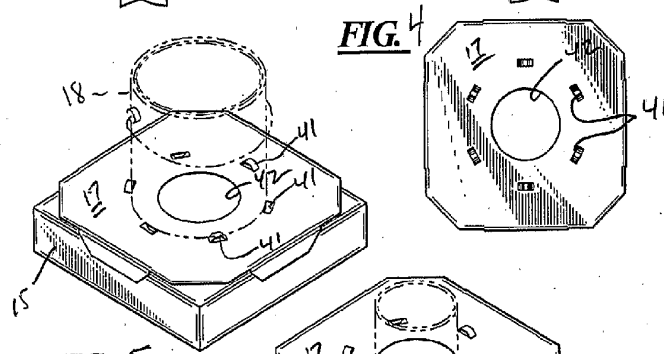


**FIG. 1**





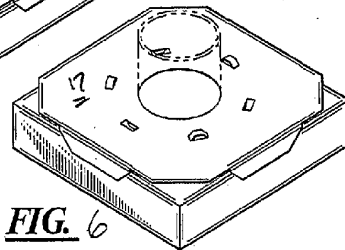
**FIG. 3**

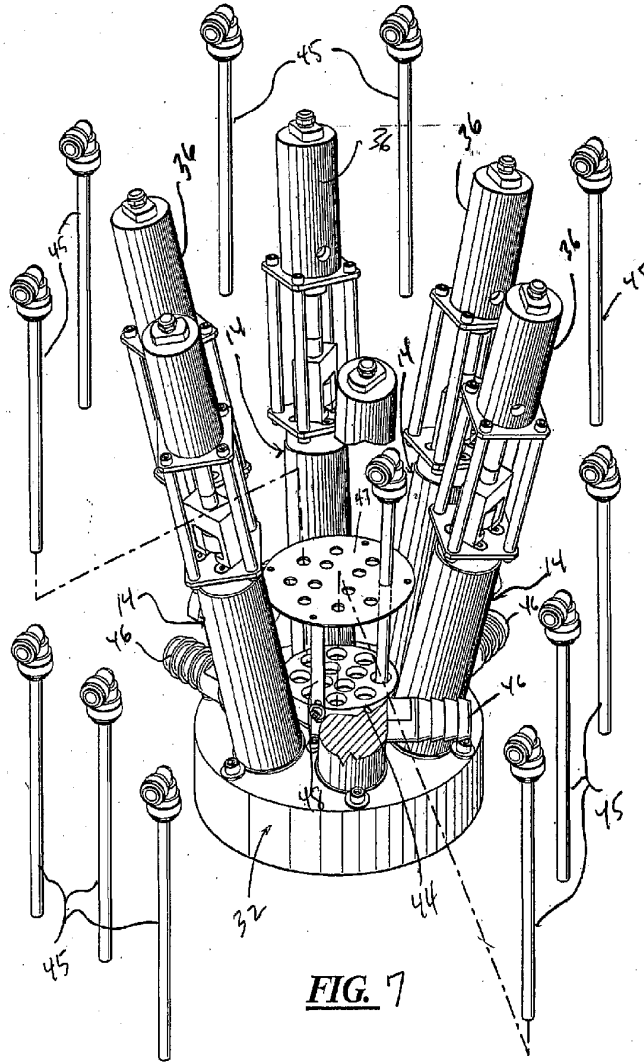


**FIG. 4**

**FIG. 5**

**FIG. 6**





**FIG. 7**

